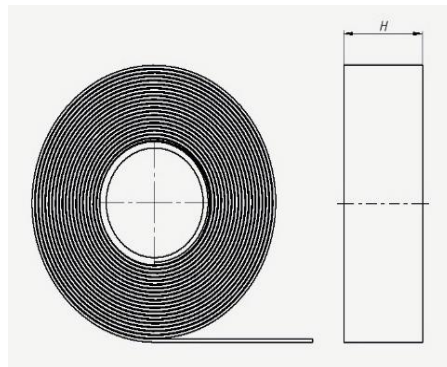
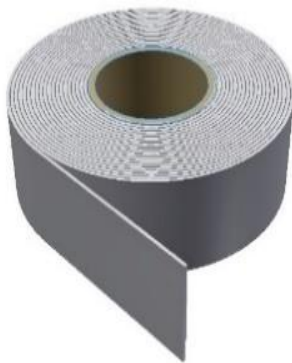


Producer**Gromtor Sp. z o o.****ul. Iwaszkiewicza 22/5, 52-211 Wrocław****Sales office and production ul. Zacisze 3,****55-010 Groblice (near Wrocław)****NIP: 8992853476 REGON: 381817326****tel: +48 739 000 415****mail: handlowy@gromtor.pl**

DATA SHEET

Rustproof Tape Gromtor

Product code
295119



Lenght:	Size	Material	Code
L - 10m	H - 50	-	295119

Corresponds to the requirements of standard: PN-EN 62305

Used for protecting connections above and inside the ground. Welding is not necessary when tape is used. Improves rustproof protection up to 10 times.

5 years warranty.