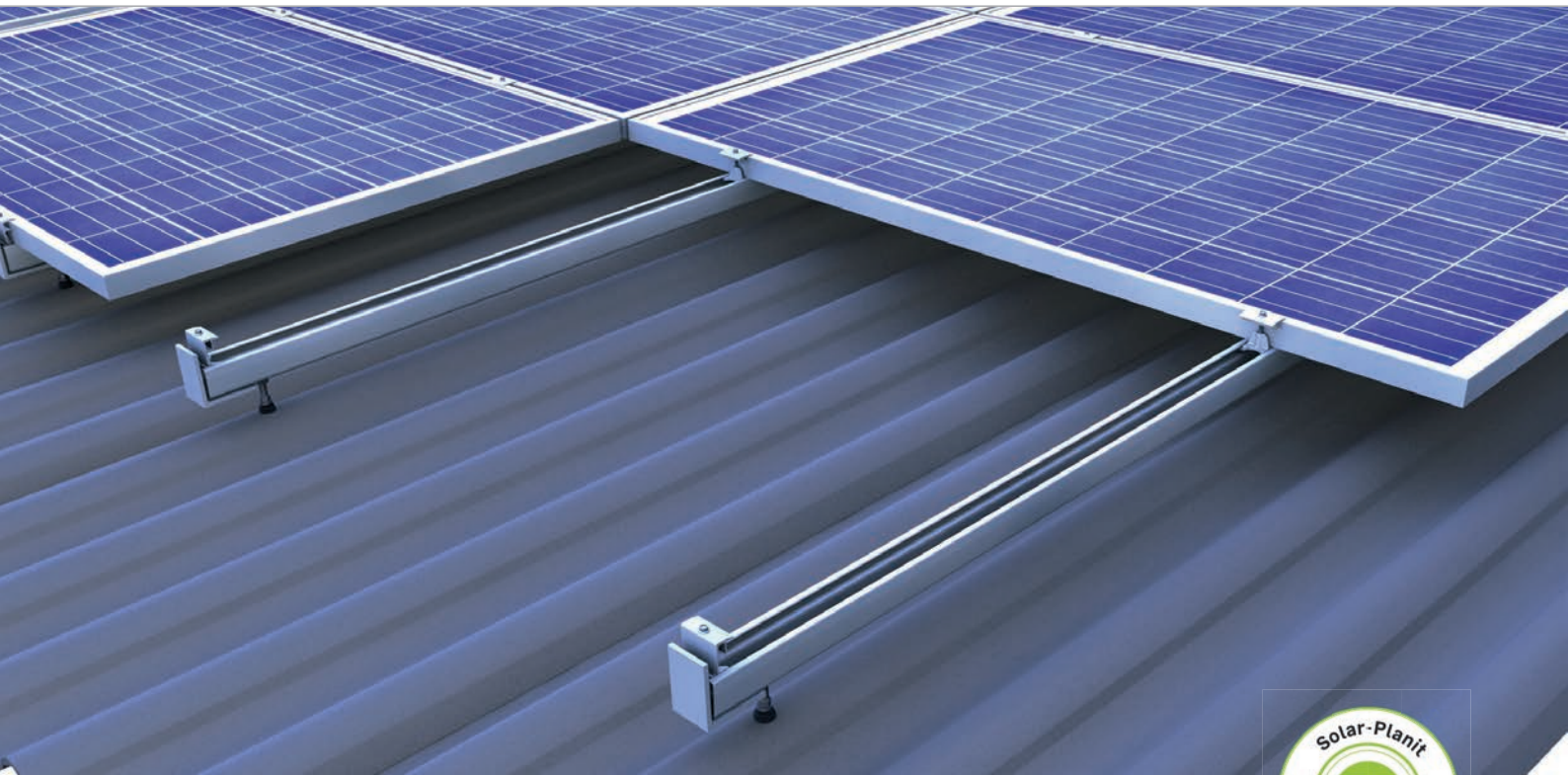
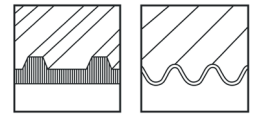


Corrugated and sandwich roof | clamping system

Single-rail clamping system with modules installed in landscape



Simple mounting system technology

- components usable across different roof types
- module portrait installation possible with cross layer system
- only two clamps for all frame heights in blank and black anodized

product variants

- also suitable for sandwich and trapezoidal roofs
- stock screws for wooden and steel purlins
- stock screws for wood available in M10 and M12

Your benefits

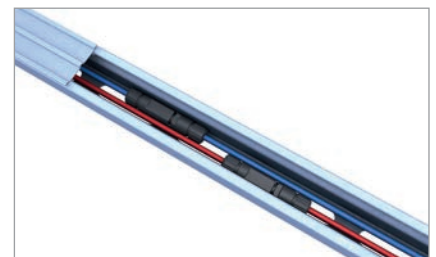
- completely pre-assembled stock screws with centric load distribution
- big span lengths possible (C-rail 71-2 / C-rail 95-3)
- C-rail also acts as a cable channel
- solutions for timber and steel purlin



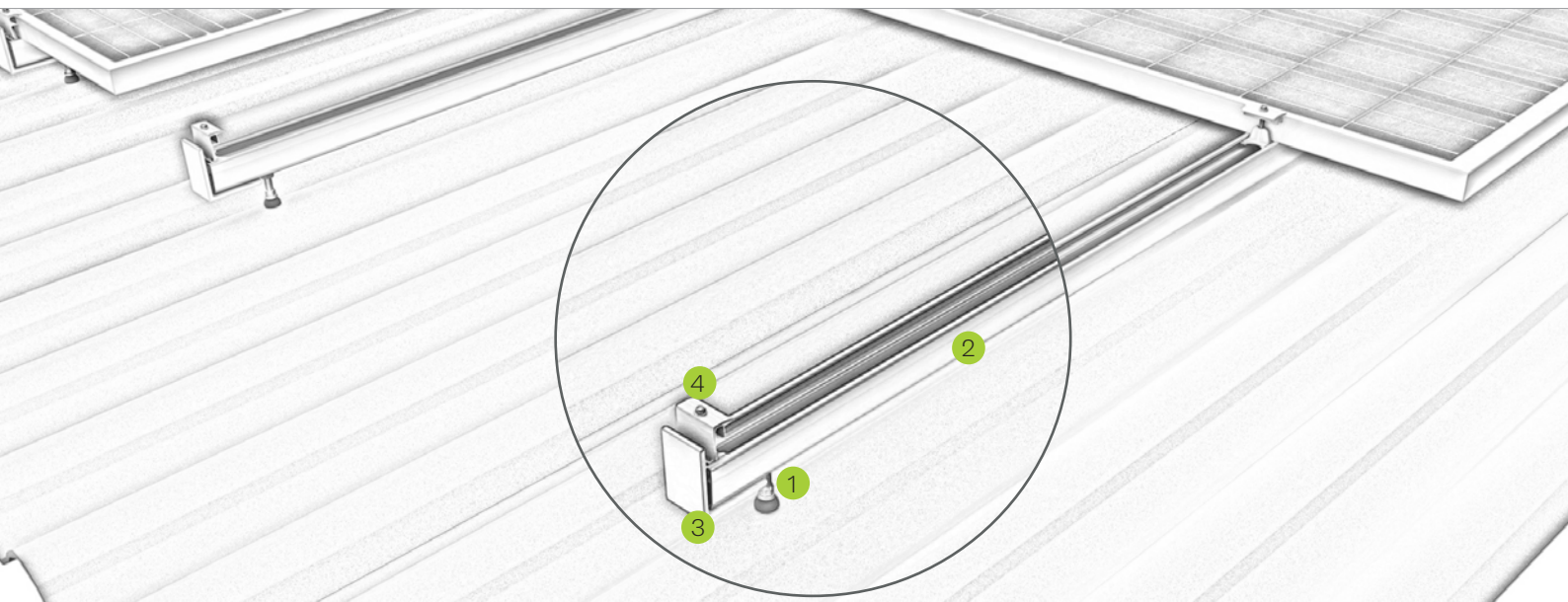
Centric load distribution in to the stock screw



C-rail for various spans



C-rail as cable channel

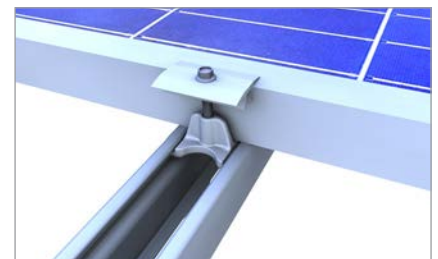


Pic Designation

- 1** Middle and end clamp
 - for frame heights of 30-42 mm and 43-52 mm
 - installation-friendly thanks to click-in mechanism
- 2** C-rail
 - available in different strength and lengths
 - can be stepped on throughout installation
- 3** End cap
 - for optically tidy rail ends
 - slip guard for fixing modules mounted in landscape
- 4** Stock screw
 - high load capacity due to centric load distribution
 - completely pre-assembled



Stock screw entirely pre-assembled



Middle clamp in C-rail 47

Mounting video



novotegra GmbH
Eisenbahnstraße 150 | 72072 Tübingen | Deutschland
Tel. +49 7071 98987-0, info@novotegra.com
www.novotegra.com

Subject to changes and errors excepted.
Last updated: April 2021 / TP