

Mini Weather Station

SEVEN Mini Weather Station is a solution specially designed to meet the requirements of PV facility monitoring systems. It is easy to install and durable under field conditions.



It can read the following data:

- Horizontal Wind Speed
- Horizontal Wind Direction
- Ambient Temperature
- Relative Humidity

The aluminum parts of the sensor should be coated with eloxal. The plastic parts are made of ABS.

It is produced in 3 different models according to customer requirements:

- **3S-WS&D** -> Wind Speed and Direction
- **3S-AT-WS&D** -> Wind Speed and Direction + Ambient Temperature
- **3S-RH&AT-WS&D**-> Wind Speed and Direction + Ambient Temperature + Relative Humidity

Advantages and Features

- High Accuracy
- Direction Measurement with Magnetic Hall Effect Detection
- Lightweight and Portable
- Easy Installation with Compact Design
- Corrosion-Resistant Anodized Aluminum Body
- SEVEN Remote Installation Service
- SEVEN Customer Support
- 2-Year Warranty

Technical Specifications

	3S-WS&D	3S-AT-WS&D	3S-RH&AT-WS&D
Measured Data	Wind Speed Wind Direction	Wind Speed Wind Direction Ambient Temperature	Wind Speed Wind Direction Relative Humidity Ambient Temperature
Standard	Compliant with IEC 61724-1:2021		
Operating Temperature Range	-40°C ... +85°C		
Operating Humidity Range	0 ... 100 %RH		
Sensor Body Material	Eloxal Aluminum	Eloxal Aluminum & ABS	
Mounting Method	Pipe and Ground Mounting	Ground Mounting	
Dimensions	225x320x320 mm	280x320x320 mm	
Weight	580 g	640 g	
Origin	TURKEY		

3S-AT-WS&D- 3S-RH&AT-WS&D

Mini Weather Station



Wind Speed	
Sensor Type	Cup Star Anemometer (Reed Relay)
Measurement Range	0.9 ... 40 m/s
Accuracy	± 0.5 m/s or ±10% of the measured value
Resolution	0.1 m/s
Threshold	0.9 m/s
Standard	Compliant with IEC 61724-1:2021

Ambient Temperature	
Sensor Type	PT1000
Measurement Range	-40°C ... +85°C
Accuracy	± 0.1°C
Resolution	0.1°C
Standard	Compliant with IEC 60751:2022, Class A

Used in the 3S-AT-WS&D model.

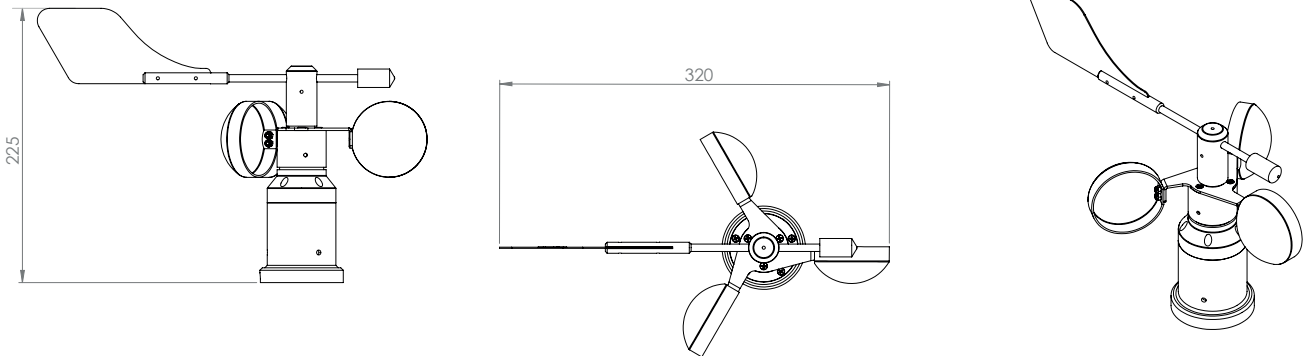
Wind Direction	
Sensor Type	Hall Effect Position Sensor
Measurement Range	0° ... 359.9°
Accuracy	± 1°
Resolution	0.1°
Standard	Compliant with IEC 61724-1:2021

Relative Humidity - Ambient Temperature	
RH Measurement Range	0% ... 100%
RH Accuracy	± 1 % RH (20...70 %) @ 25 °C
RH Resolution	1%
T Measurement Range	-40°C ... +85°C
T Accuracy	± 0.1 °C (5...60 °C) @ 20...80 % RH
T Resolution	0.1°C

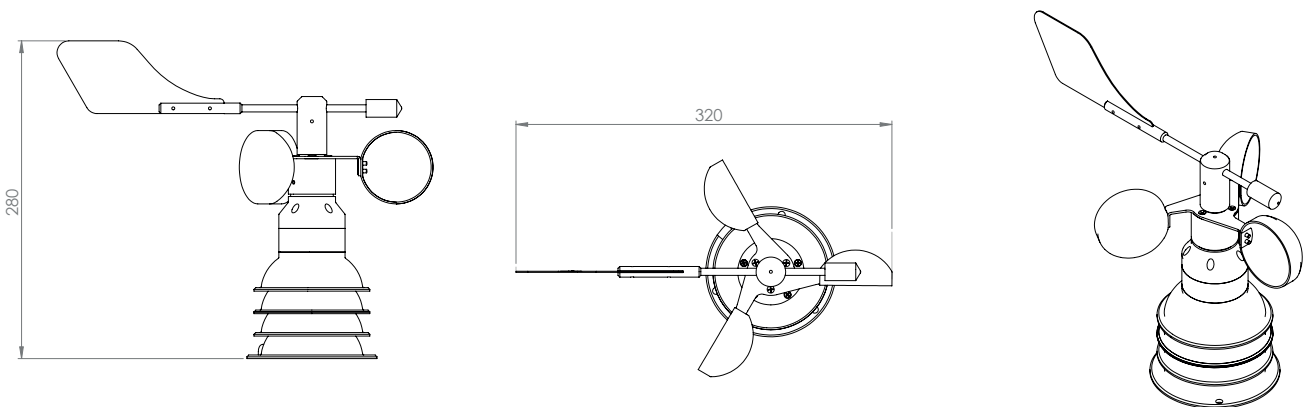
Used in the 3S-RH&AT-WS&D model.

Technical Drawings

Technical Drawing of 3S-WS&D



Technical Drawing of 3S-AT-WS&D and 3S-RH&AT-WS&D



Not: All dimensions are in mm.