

INTEG **M** HYBRID INVERTER

Solinteg MHT-4~20K
Hybrid Inverter


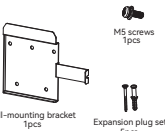


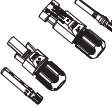
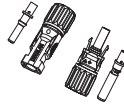
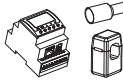




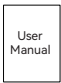


Quick Installation Guide

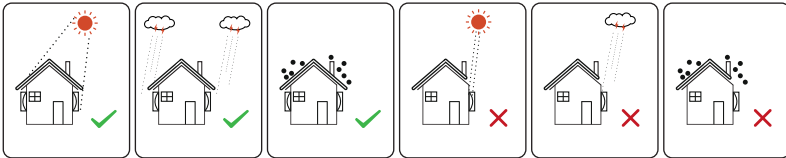
ENGLISH VERSION

1 Installation

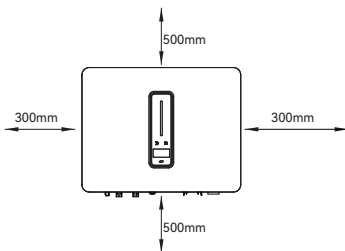
A Check Packing List

 Inverter 1pcs	 Wall-mounting bracket 1pcs MS screws 1pcs Expansion plug set 5pcs	 On-grid connector set (Red) 1pcs	 Back-up connector set (Black) 1pcs
 PV terminal MHT-4~12K-25 2 pairs / MHT-10~20K-40 4 pairs	 Battery terminal 1 pairs	 Meter with 3 CTs 1pcs	 COM2 connector set 1pcs
 Monitoring device 1pcs	 10m meter communication cable 1pcs 3m battery communication cable 1pcs	 PE terminal 1pcs	 User guide 3pcs

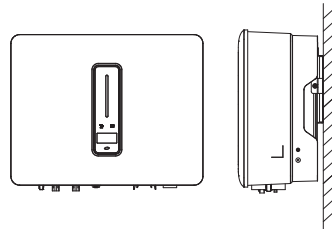
B Installation Location



C Installation Space



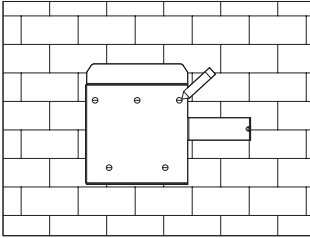
D Installation Angle



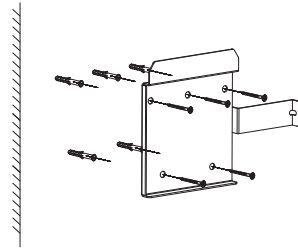
Part 1
Installation

Part 2
Electrical Connection

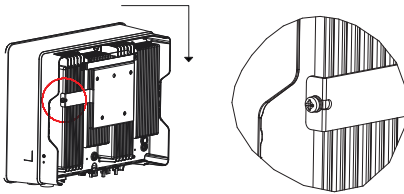
E Mark the Position and Drill Holes



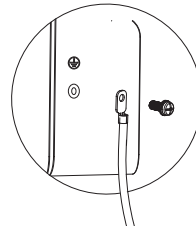
F Fix Wall Bracket



G Mounting Inverter



H Grounding Terminal Connection



2 Electrical Connection

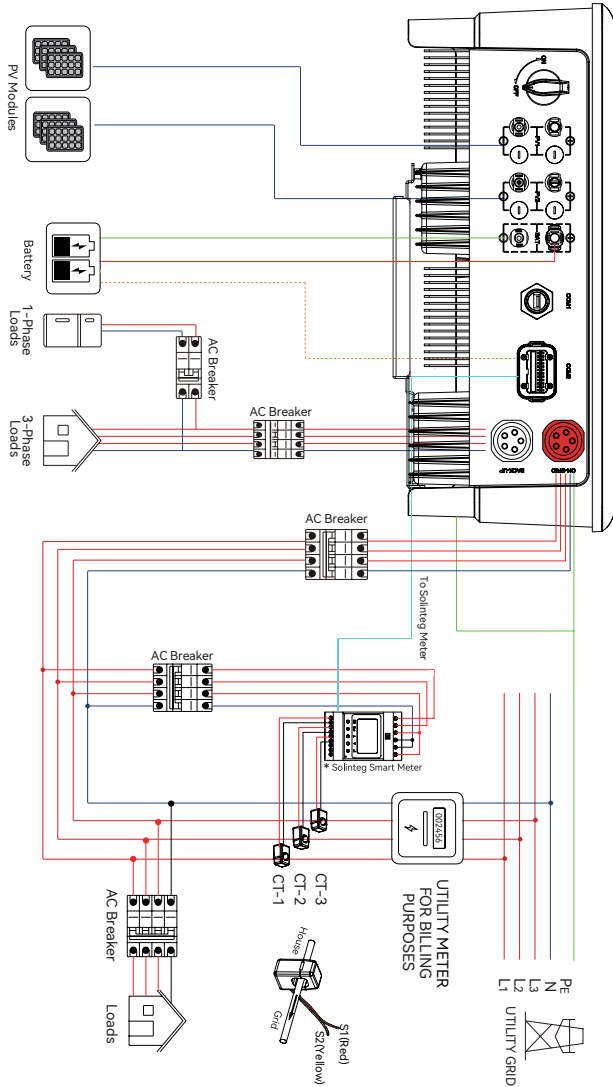
A Cable Requirements

Cable types	Cable requirements	
	Outside diameter	Conductor core section
AC cable	13.0-18.0 mm	2.5-10.0 mm ²
PV cable	5.9-8.8 mm	2.5-4.0 mm ²
Battery power cable	5.0-8.0 mm	10 mm ²

AC Connector: Please distinguish the on-grid and back-up connector, On-grid connector is red and Back-up connector is Black.

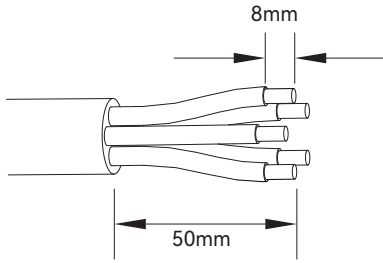
Battery power cable: If the conductor core of the battery cable is too small, which may cause poor contact between the terminal and the cable, please use the cable specified in the above table, or contact Solinteg to purchase terminals of other specifications.

B Electrical Wiring Diagram

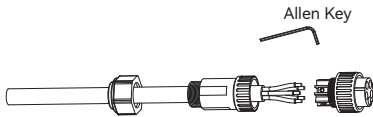


*Solinteg Smart Meter consists of ACR10R and RMM. Define the cable connections for the meter based on the actual meter model and refer to Meter Terminals Definition. This cable diagram is for reference only.

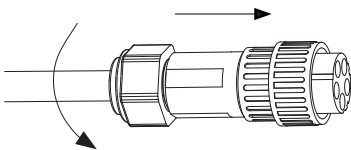
C AC Connection



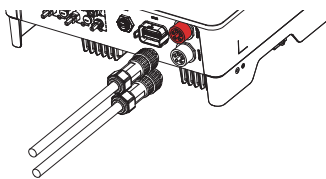
①



②

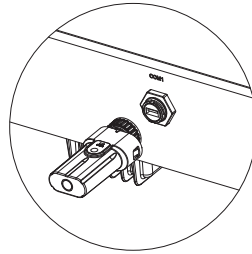


③

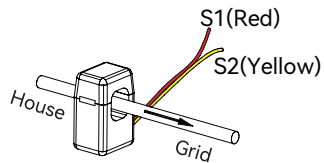
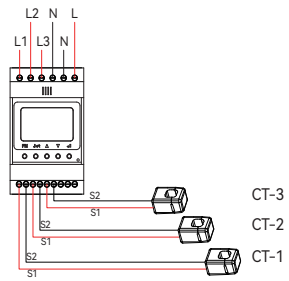
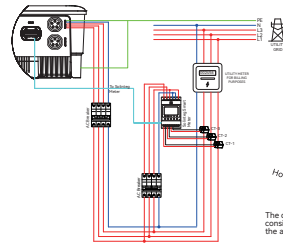


④

D Monitoring Device Installation



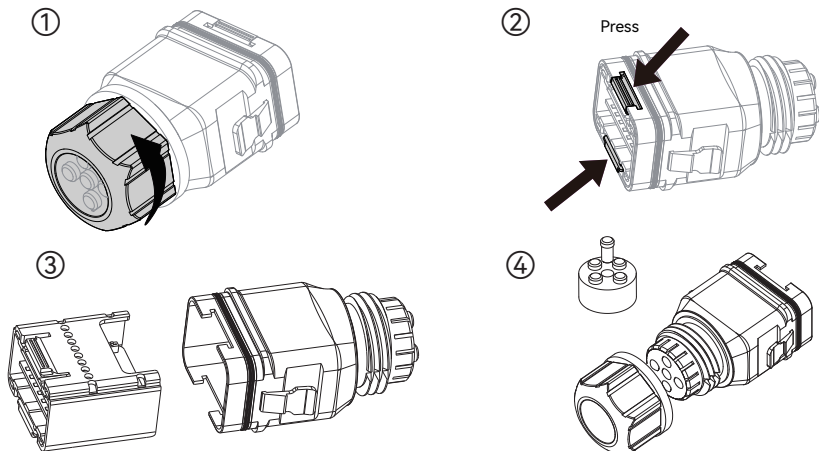
E Meter and CT Connection



Meter Terminals Definition

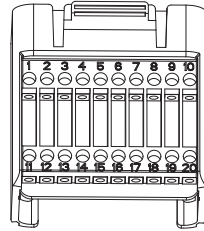
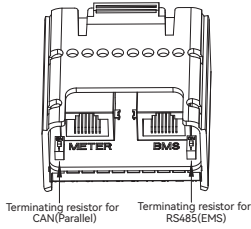
No.	Definition		Function
	ACR10R	RMM	
1		L1	L1/L2/L3/N connect to grid to detect power grid voltage
2		L2	
3		L3	
4		N	
5		L1-S1	To detect the CT current and direction
6		L1-S2	
7		L2-S1	
8		L2-S2	
9		L3-S1	
10		L3-S2	
11	/	PE	Ground connection
12	L	/	Power supplied from grid
13	N	/	
RS485	/	Reserve	Communicate with hybrid inverter
	RS485	RS485-2	
ANT	/	Reserve	
LAN	/	Reserve	
Type-C	/	Type-C	Specified Debug Interface. Do not use it by non-professionals

F Communication Connection



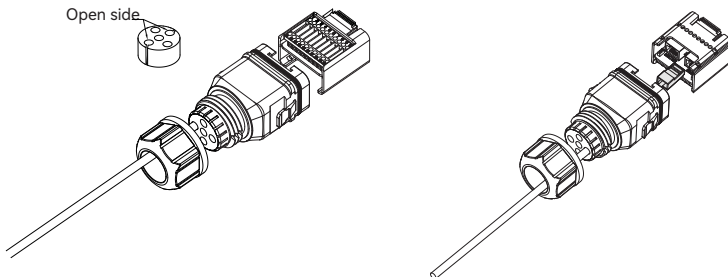
Part 1
Installation

Part 2
Electrical Connection

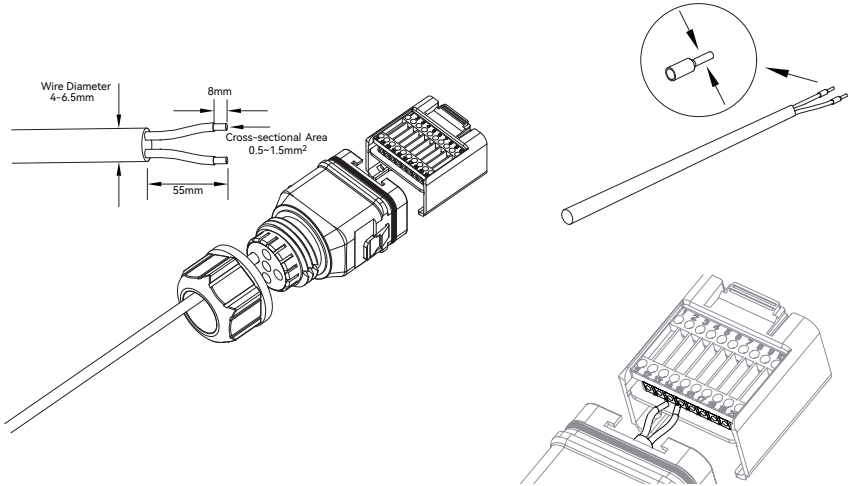


Pin	Definition	Function
METER (RJ45-1)	RS 485	Communicate with Meter
BMS (RJ45-1)	CAN	Communicate with BMS
1	COM	Multifunction Relay
2	NO (Normally Open)	
3-4	/	Reserved
5	DRM4/8	DRED For Australia and New Zealand
6	DRM3/7	
7	DRM2/6	
8	DRM1/5	
15	COM D/0	
16	REF D/0	
9-10	/	Reserved
11	Fast stop +	Fast stop
12	Fast stop -	
13	485 B1	EMS
14	485 A1	
17	CANL_P	CAN for parallel connection of inverters
18	CANH_P	
19-20	/	Reserved

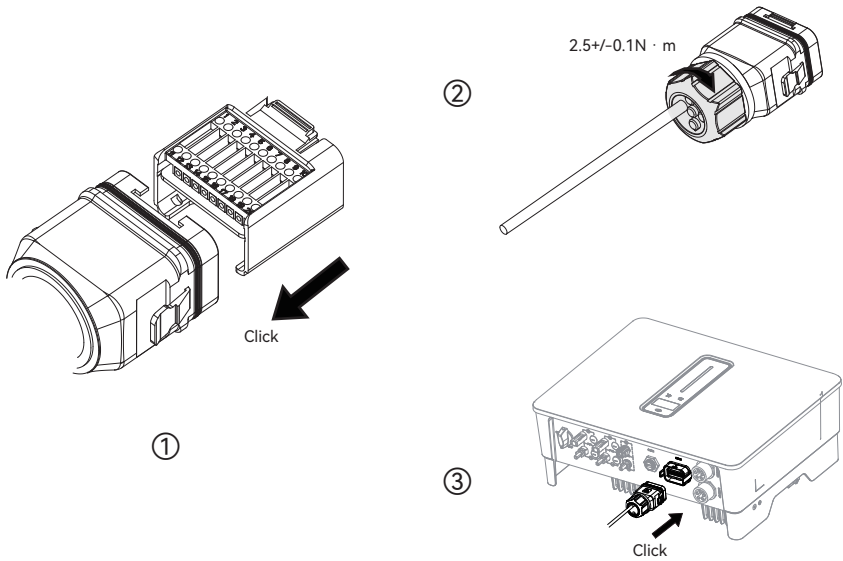
Connect the Meter and BMS Communication Cables



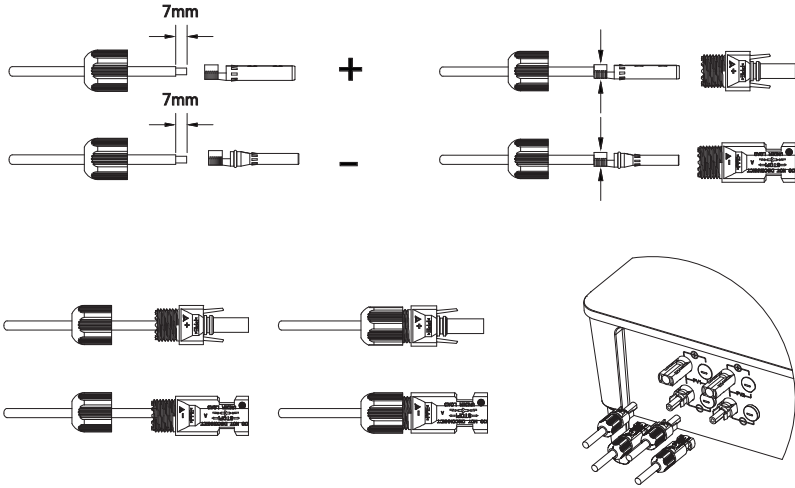
Connect Other Cables



Installing the COM Connector

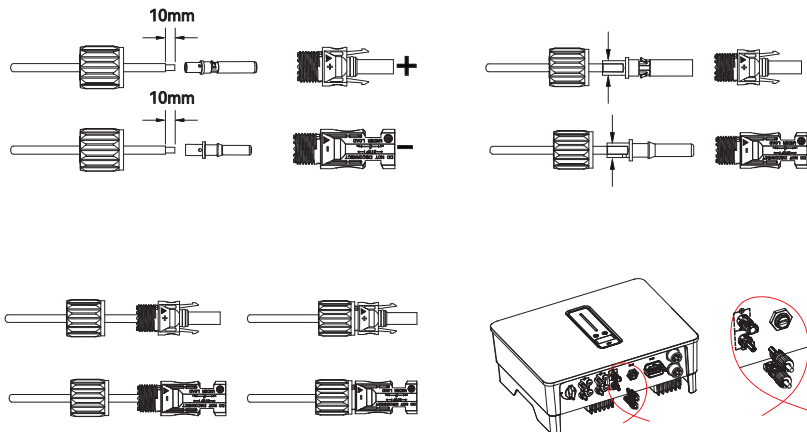


G PV String Connection



PV Max. Input voltage is 950V without battery, or 850V with battery, otherwise inverter will be waiting.

H Power Cable of the Battery Connection



I N T E G R A T E S O L A R I N T E L L I G E N T



www.solinteg.com

M111-00002-03