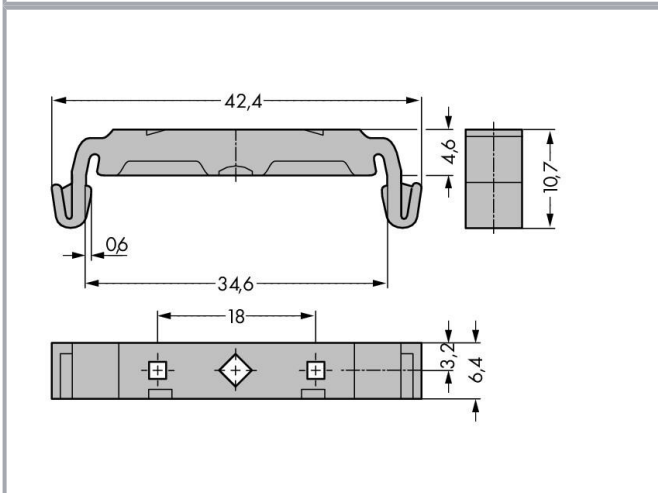


**Data sheet | Item number: 209-120**

Mounting foot; can be snapped on terminal blocks with snap-in mounting foot; for mounting on relay-modules; 6.4 mm wide; gray



[www.wago.com/209-120](http://www.wago.com/209-120)



**Data**

**Technical data**

|                       |                      |
|-----------------------|----------------------|
| Main product function | Mounting Accessories |
| Mounting type         | DIN-35 rail          |

Subject to changes. Please also observe the further product documentation!

WAGO Kontakttechnik GmbH & Co. KG  
Hansastr. 27  
32423 Minden  
Phone: +49571 887-0 | Fax: +49571 887-169  
Email: [info.de@wago.com](mailto:info.de@wago.com) | Web: [www.wago.com](http://www.wago.com)

Do you have any questions about our products?  
We are always happy to take your call at +49 (571) 887-44222.

## Physical data

|        |                      |
|--------|----------------------|
| Width  | 6.4 mm / 0.252 inch  |
| Height | 4.6 mm / 0.181 inch  |
| Depth  | 42.4 mm / 1.669 inch |

## Material data

|           |          |
|-----------|----------|
| Color     | gray     |
| Fire load | 0.034 MJ |
| Weight    | 1.2 g    |

## Commercial data

|                       |                                |
|-----------------------|--------------------------------|
| Product Group         | 2 (Terminal Block Accessories) |
| Packaging type        | BOX                            |
| Country of origin     | CH                             |
| GTIN                  | 4017332272421                  |
| Customs tariff number | 39269097900                    |

## Compatible products

### assembling

|   |  |  |
|---|--|--|
|  | <b>Item no.: 209-119</b><br>Fixing screw; for 209-120 mounting carrier | <a href="http://www.wago.com/209-119">www.wago.com/209-119</a> |
|---|--|--|

## Downloads

### Documentation

#### Bid Text

|                        |             |                |          |
|------------------------|-------------|----------------|----------|
| 209-120<br>X81 - Datei | 2019 Feb 19 | xml<br>2.6 kB  | Download |
| 209-120<br>doc - Datei | 2017 Aug 18 | doc<br>23.0 kB | Download |

## CAD/CAE-Data

### CAD data

2D/3D Models 209-120

Subject to changes. Please also observe the further product documentation!

[URL](#) [Download](#)

#### CAE data

EPLAN Data Portal 209-120 [URL](#) [Download](#)

WSCAD Universe 209-120 [URL](#) [Download](#)

ZUKEN Portal 209-120 [URL](#) [Download](#)

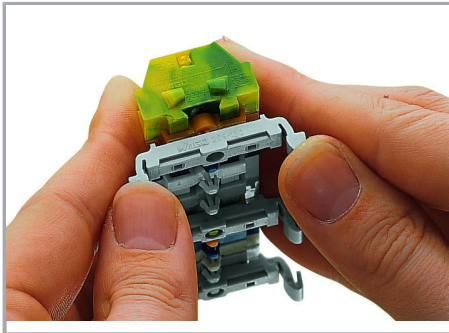
### Environmental Product Compliance

#### Compliance Search

Environmental Product Compliance 209-120 [URL](#) [Download](#)

Mounting foot; can be snapped on terminal blocks with snap-in mounting foot; for mounting on relay-modules; 6.4 mm wide; gray

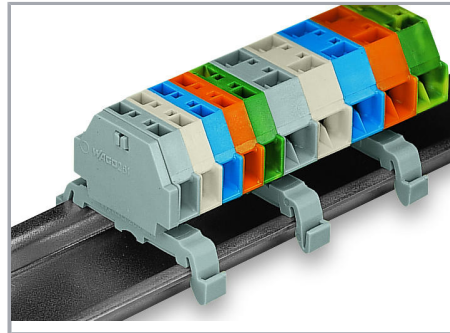
### Installation Notes



Terminal strip with snap-in mounting feet

Snapping a mounting foot (209-120).

(Distance between mounting feet: approx. 25 ... 30 mm)



Terminal strip; with snap-in mounting feet; for DIN-35 rail

Subject to changes. Please also observe the further product documentation!