

PV-BN101B Solar Connector



IEC 1500V
UL 1500V



UL: 6703
IEC: 62852



-40°C~85°C



UL94-V0



IP 68



UV Resistance

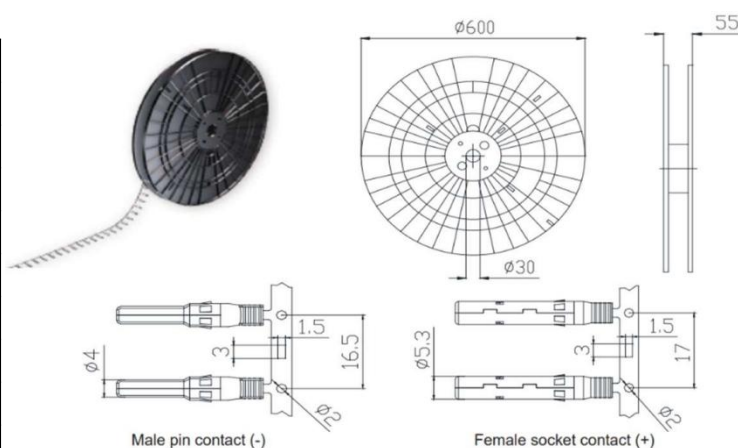


Product Overview

PV-BN101B connectors use high quality materials that guarantee long-term reliability. Lower contact resistance and higher current transfer capability ensure high product efficiency. PV-BN101B connectors have IP68 water-proof rating and can be used in a wide operating temperature range from -40 °C to 85°C.

Technical Data

Rated Voltage	IEC 1500V/UL1500V
Certification	IEC 62852; UL 6703
Rated Current	35A/40A/45A
Ambient temperature	-40°C up to +85°C
Contact Resistance	≤0.25mΩ
Pollution Degree	Class II
Protection Degree	Class II
Fire Resistance	UL94-V0
Rated Impulse Voltage	16KV
Locking System	NEC Locking Type

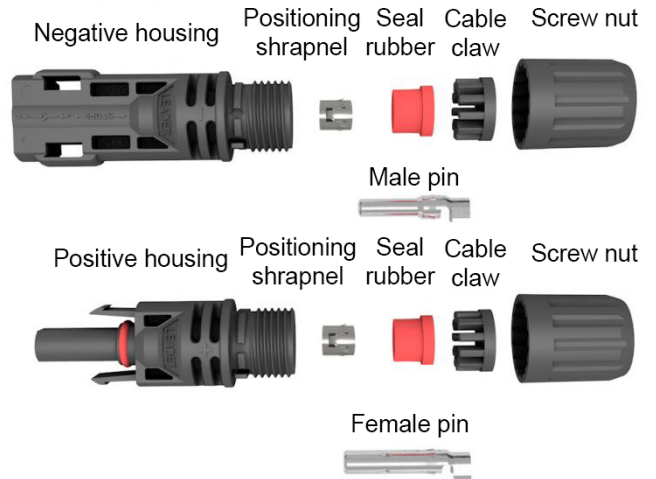
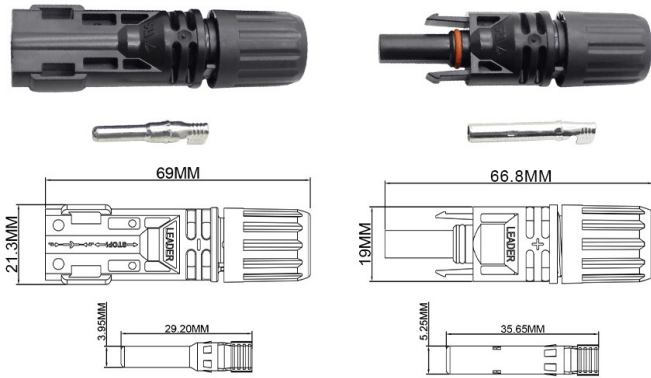


Order Data

Part No.	Cable OD Range/mm	Cable Cross Section	Standard Package Unit	Description
PV-BN101B-F1	4.7mm~6.0mm	2.5mm ² /4mm ² 14AWG/12AWG	500 pairs / Carton	Full Pairs
PV-BN101B-F1-MH			500 pcs / package	F2 Male Housing
PV-BN101B-F1-FH			500 pcs / package	F2 Female Housing
PV-BN101B-MT			500 pcs / package or 2500 pcs / Reel	Male terminal
PV-BN101B-FT			500 pcs / package or 2500 pcs / Reel	Female terminal
PV-BN101B-F2	5.6mm~6.9mm	4mm ² /6mm ² 12AWG/10AWG	500 pairs / Carton	Full Pairs
PV-BN101B-F2-MH			500 pcs / package	F2 Male Housing
PV-BN101B-F2-FH			500 pcs / package	F2 Female Housing
PV-BN101B-MT			500 pcs / package or 2500 pcs / Reel	Male terminal
PV-BN101B-FT			500 pcs / package or 2500 pcs / Reel	Female terminal
PV-BN101B-F6	6.9mm~8.7mm	10mm ² 8AWG	500 pairs / Carton	Full Pairs
PV-BN101B-F6-MH			500 pcs / package	F6 Male Housing
PV-BN101B-F6-FH			500 pcs / package	F6 Female Housing
PV-BN101B-MT			500 pcs / package or 2500 pcs / Reel	Male terminal
PV-BN101B-FT			500 pcs / package or 2500 pcs / Reel	Female terminal



PV-BN101B Solar Connector



How to Order solar cable connector (please choose one code per position, below)



SCC	Cable Cross Section	Cable OD	Terminals Package	MPQ Housing Package	Variations
Solar Cable Connector	<input type="checkbox"/> 2.5m ² (14Awg)	<input type="checkbox"/> F1: 4.7~6.0mm	<input type="checkbox"/> R: Roll	<input type="checkbox"/> 500 pairs/package	<input type="checkbox"/> _____
	<input type="checkbox"/> 4-6mm ² (12Awg-10AWG)	<input type="checkbox"/> F2: 5.6~6.9mm	<input type="checkbox"/> P: Bulk	<input type="checkbox"/> 50 pairs/package	
	<input type="checkbox"/> 10mm ² (8Awg)	<input type="checkbox"/> F6: 6.9~8.5mm	<input type="checkbox"/> _____	<input type="checkbox"/> 5 pairs/package	
	<input type="checkbox"/> _____	<input type="checkbox"/> _____		<input type="checkbox"/> 1 pairs/package	
				<input type="checkbox"/> _____	

* Customized options available, for more information, please contact LEADER GROUP sales team: info@leadergroup-cn.com

Example:

SCC-6mm-F2-B-500 means the Solar cable connector will match 6mm² cable with 5.6~6.9 OD. The terminals will be packaged with plastic housing together. 500 plastic housing will be packaged in one package.

Standard Package Info:



Carton Dimension (cm)	Pack list	QTY	Gross Weight (kg)
45cm X 35cm X 25cm	Male Housing	500 pcs	15.4kg
	Female Housing	500 pcs	
	Male terminal	500 pcs	
	Female terminal	500 pcs	
Remark: 500 pairs in one carton package			

