



Light is easy

OSRAM Essentials 2017

LED Solutions – essential, reliable, low-cost, always the right choice. **Light is OSRAM**

Our Brands

siteco traxone **ercue**

OSRAM

OSRAM Essentials

LED Solutions – essential, reliable, low-cost, always the right choice

Essentials for 2017: Light is easy

LED Solutions – essential, reliable, low-cost, always the right choice.

The Essentials range from OSRAM and Siteco stands for high quality luminaires and state-of-the-art technology for professionals. For any application. For any mounting situation.

The Essentials range gives you double convenience: upgrade obsolete, inefficient systems with new, energy-saving LED solutions quickly and simply, with the possibility of using the existing mounting points. And solving new challenges in your daily business with minimum effort by providing high quality products and technology.

Our Essentials range provides you with ideally matched LED solutions for a wide variety of applications, including offices, schools, hotels, leisure facilities as well as the commerce, trade and industrial sectors. All products feature dependable quality, energy-saving LED technology and minimum fuss in installation and maintenance.

**Rely on expertise.
Rely on OSRAM.**

Benefits at a glance

- Reliable OSRAM and Siteco quality
- State-of-the-art LED products
- The right solution for many different applications
- Energy savings up to 85%
- Direct replacement for conventional luminaires
- Simple mounting and installation
- Optimum price/performance ratio

Recessed and surface-mounted luminaires



LIGHT PANEL LED
Page 6



LUXILED®
Page 8

Wall and ceiling luminaires



DIADEM® LED
Page 10



POSIVO® LED
Page 12



LED RONDEL®
Page 14



LIGHTIFY®
SURFACE LIGHT
Page 16

Linear and batten luminaires



ECOPACK® LED
Page 18



LUMILUX®
Combi LED
Page 20



MINI LED BATTEN
Page 22

Damp-proof luminaires



POWERBRIK®
Page 24



NEPTUNE® LED
Page 26



ORCA®
Page 28



LUMILINE® IP65
Page 30

Spotlights and downlights



PUNCTOLED® DL
Page 32



PUNCTOLED® COB
Page 34



PUNCTOLED® IP65
Page 36



LEDVALUX®
DOWNLIGHT
Page 38



NJ200 GIGANTE®
Page 42

High bay luminaires

Outdoor luminaires



NOXLITE® HP II
Page 44



NOXLITE® SMART
Page 46



NOXLITE® CIRCULAR
Page 48



LIGHTIFY® Garden Spot
Page 50



LIGHT PANEL LED

The LED lay-in luminaire with a uniform luminous surface

- Attractive, functional product design
- Diffuse-distribution opal cover for a uniformly illuminated light emission surface and uniform light distribution
- Economical LED recessed luminaire with a very slim housing (66 mm) for installation in tight spaces
- Highly durable replacement for traditional (non-UGR 19) louvre solutions
- Simple, quick installation due to integrated control unit

LIGHT PANEL LED as a long-life replacement for traditional louvre solutions is ideal for most general lighting applications in commercial buildings with strip ceilings. With uniform distribution of light without dark spots, the luminaire ensures pleasant illumination and good colour rendering.



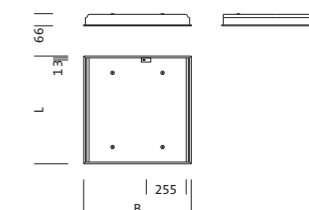
*Energy savings compared to luminaires with standard technologies. The possible power loss of traditional control gear solutions is part of the calculation of the anticipated energy savings.



LIGHT PANEL LED
single luminaires for lay-in mounting into ceiling systems | with opal, homogeneous illuminated cover | IP20 | insulation class I | service life: 30,000h (L80/B50)

Lamps	K	R _a	lm	W	lm/W	Control	kg	Order No. OSRAM	Order No. Siteco
lay-in mounting, for M600									
LED	4000	> 80	2800	30	93	ON/OFF	3.5	4052899945999	0LF12A7L32840
LED	4000	> 80	4200	50	84	ON/OFF	3.5	4052899945913	0LF12A7L49840
lay-in mounting, for M625									
LED	4000	> 80	2800	30	93	ON/OFF	3.6	4052899945906	0LF11A7L32840
LED	4000	> 80	4200	50	84	ON/OFF	3.6	4052899945920	0LF11A7L49840

- energy efficiency class included LED modules: A++, A+, A. LED modules not replaceable.
- single luminaires for lay-in mounting into ceiling systems; installation in cut ceiling aperture not possible



	L	B
M600	597	597
M625	621	621



LUXILED®

The light window for indoors – discreet, pleasant and natural

- Elegant design thanks to high quality aluminium frame and ultra-flat construction
- VDU-compliant with uniform light distribution
- Available as lay-in luminaire with 1200 x 300 mm or 600 x 600 mm dimensions
- Ideal replacement for traditional louvre luminaires

LUXILED® demonstrates what LED lighting is capable of – a perfect design, high visual comfort and simple installation. The efficient, contemporary solution for VDU workstations and prestigious areas.



LUXILED®

flat single luminaire for recessing in ceilings or laying into ceiling systems according to version | with micro prism cover, direct distribution; CAT 2, UGR < 19 | IP20 (IP40 on room side) | insulation class II | service life: 50,000h (L80/B50)

Lamps	K	R _a	lm	W	lm/W	Control	L [mm]	B [mm]	kg	Order No. OSRAM	Order No. Siteco
recessed											
LED	3000	> 80	1700	18	94	ON/OFF	297	297	1.1	4052899415621	OMQ13W7L3Y
LED	3000	> 80	1700	18	94	DALI	297	297	1.1	4052899415645	OMQ13WDL3Y
LED	4000	> 80	1800	18	100	ON/OFF	297	297	1.1	4052899415638	OMQ13W7L4Y
LED	4000	> 80	1800	18	100	DALI	297	297	1.1	4052899415652	OMQ13WDL4Y

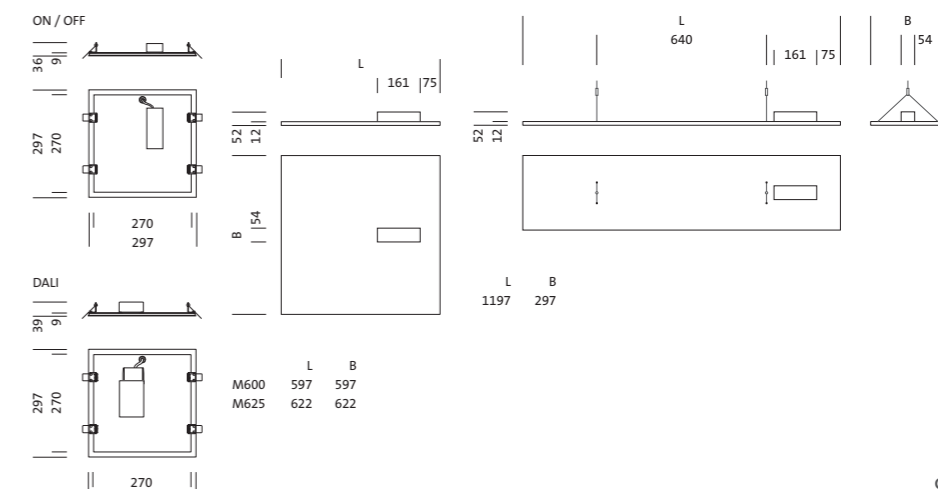
Lamps	K	R _a	lm	W	lm/W	Control	L [mm]	B [mm]	kg	Order No. OSRAM	Order No. Siteco
lay-in mounting, for M600											
LED	3000	> 80	3250	33	100	ON/OFF	597	597	4.6	4052899258174	OMQ32W7L3Y
LED	3000	> 80	3250	33	100	DALI	597	597	4.6	4052899301467	OMQ32WDL3Y
LED	4000	> 80	3420	33	105	ON/OFF	597	597	4.6	4052899258181	OMQ32W7L4Y
LED	4000	> 80	3420	33	105	DALI	597	597	4.6	4052899301474	OMQ32WDL4Y

Lamps	K	R _a	lm	W	lm/W	Control	L [mm]	B [mm]	kg	Order No. OSRAM	Order No. Siteco
lay-in mounting, for M625											
LED	3000	> 80	3250	33	100	ON/OFF	622	622	4.6	4052899258198	OMQ31W7L3Y
LED	3000	> 80	3250	33	100	DALI	622	622	4.6	4052899301481	OMQ31WDL3Y
LED	4000	> 80	3420	33	105	ON/OFF	622	622	4.6	4052899258204	OMQ31W7L4Y
LED	4000	> 80	3420	33	105	DALI	622	622	4.6	4052899301498	OMQ31WDL4Y

Lamps	K	R _a	lm	W	lm/W	Control	L [mm]	B [mm]	kg	Order No. OSRAM	Order No. Siteco
lay-in mounting, for M600											
LED	3000	> 80	3230	32	101	ON/OFF	1197	297	4.6	4052899258211	OMQ32W7L3P
LED	3000	> 80	3230	32	101	DALI	1197	297	4.6	4052899301504	OMQ32WDL3P
LED	4000	> 80	3400	32	106	ON/OFF	1197	297	4.6	4052899258228	OMQ32W7L4P
LED	4000	> 80	3400	32	106	DALI	1197	297	4.6	4052899301511	OMQ32WDL4P

— energy efficiency class included LED modules: A++, A+, A. LED modules not replaceable.
— single luminaires for lay-in mounting into ceiling systems; installation in cut ceiling aperture not possible

Accessories		kg	Order No. OSRAM	Order No. Siteco
Y wire suspension, with canopy, white, round, for ON/OFF version	2 pcs.	0.3	4050737971797	5MQ91102
Y wire suspension, with canopy, white, round, for DALI version	2 pcs.	0.3	4050737972220	5MQ91103



*Energy savings compared to luminaires with standard technologies. The possible power loss of traditional control gear solutions is part of the calculation of the anticipated energy savings.



DIADEM® LED

The timeless surface-mounted and suspended LED luminaire

- Pleasant light thanks to indirect light output
- Symmetrical v-reflector
- High quality metal housing
- Extremely flat LED luminaire for ceiling and pendant mounting
- Available in two sizes (600x600mm and 1200x3000mm) and 2 lumen packages (3100/4000 lm)

The ultra-thin ceiling surface-mounted LED luminaire with accessory suspension kit is the ideal replacement for traditional louvre luminaires. The luminaire is available in two sizes.



Energy saving
38%*

DIADEM® LED

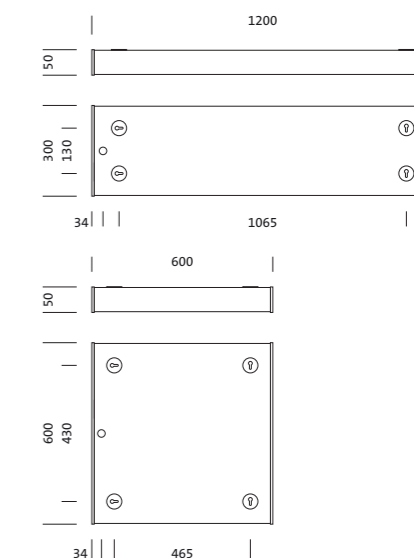
single luminaire for ceiling surface or suspended mounting; | IP20 | insulation class I | service life: 35,000h (L80/B50)

Lamps	K	R _a	lm	W	lm/W	Control	L [mm]	B [mm]	kg	Order No. OSRAM	Order No. Siteco
LED	4000	> 80	3100	33	94	ON/OFF	600	600	3.8	4052899925885	OLP2157L32830
LED	4000	> 80	4000	42	95	ON/OFF	600	600	3.8	4052899925892	OLP2157L32840

Lamps	K	R _a	lm	W	lm/W	Control	L [mm]	B [mm]	kg	Order No. OSRAM	Order No. Siteco
LED	4000	> 80	3100	33	94	ON/OFF	1200	300	4.1	4052899925908	OLP2157L42830
LED	4000	> 80	4000	42	95	ON/OFF	1200	300	4.1	4052899925915	OLP2157L42840

- energy efficiency class included LED modules: A++, A+, A. LED modules not replaceable.
- surface-mounting to ceilings without further luminaire-specific mounting accessories; for suspended mounting: please order suspension (1 set per luminaire) separately

Accessories	kg	Order No. OSRAM	Order No. Siteco
Y wire suspension, with ceiling mounting element	2 pcs.	0.1	4052899925878 OLP91211



*Energy savings compared to luminaires with standard technologies. The possible power loss of traditional control gear solutions is part of the calculation of the anticipated energy savings.

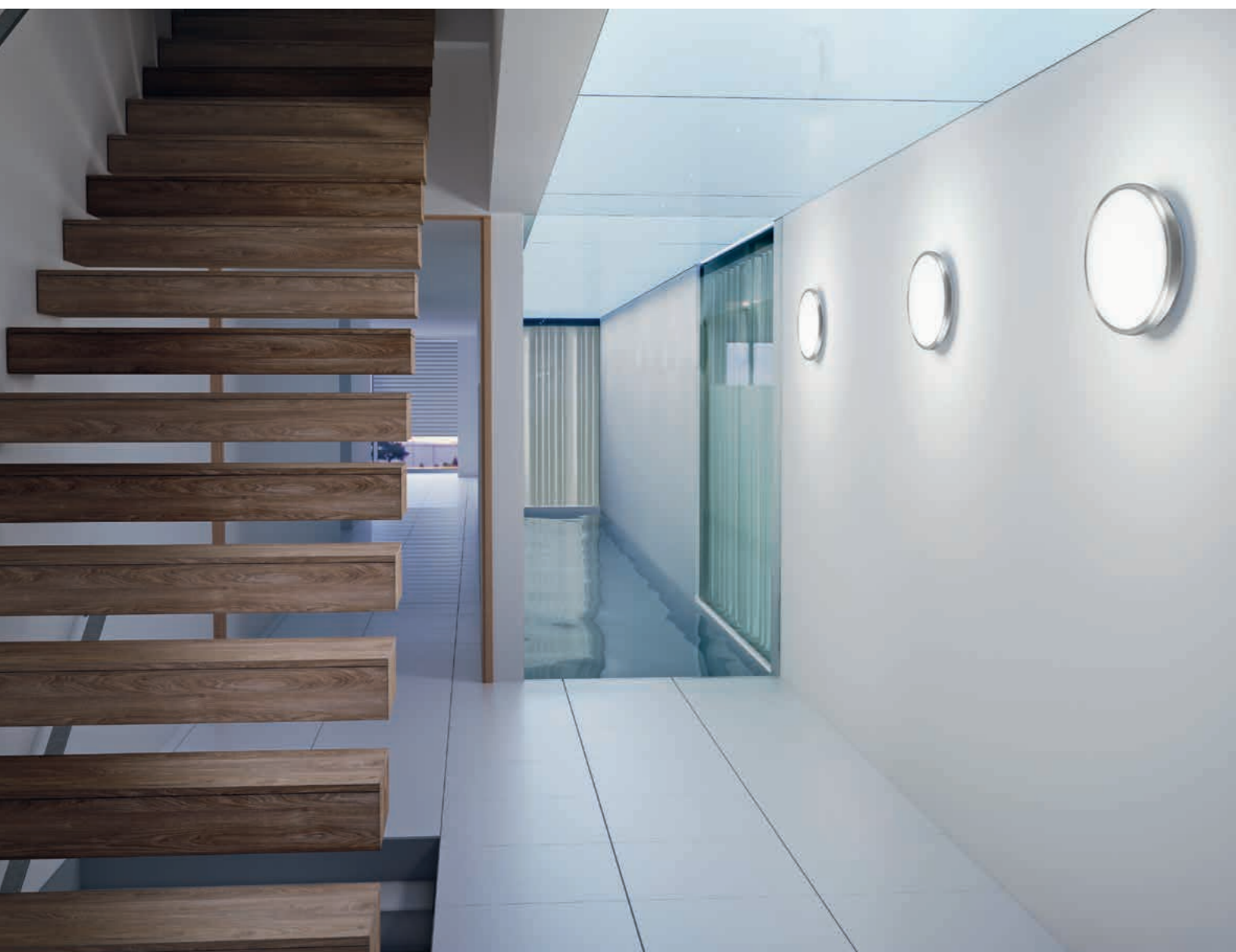


POSIVO® LED

All-round uniform light

- Pleasant spatial atmosphere due to uniform light
- Integrated PIR motion and day/night sensor
- Timeless, classic shape and design

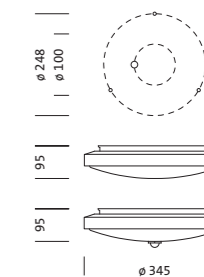
POSIVO® LED is available with or without sensor in 3000K light colour, features a PIR sensor and represents an up-to-date, efficient alternative to similar lighting solutions with traditional lamps.



POSIVO® LED
surface-mounted luminaire with direct/indirect light control | with or without integrated PIR sensor | opal cover with matt aluminium ring | IP20 | insulation class I | service life: 35,000h (L70/B50)

Lamps	K	Ra	lm	W	lm/W	Control	kg	Order No. OSRAM	Order No. Siteco
POSIVO® LED									
LED	3000	> 80	840	16	54	ON/OFF	1.1	4008321854629	0MJ2712L17830
POSIVO® LED Sensor									
LED	3000	> 80	800	16	51	ON/OFF	1.2	4008321854643	0MJ2712L17830S

— energy efficiency class included LED modules: A++, A+, A. LED modules not replaceable.



*Energy savings compared to luminaires with standard technologies. The possible power loss of traditional control gear solutions is part of the calculation of the anticipated energy savings.



LED RONDEL®

Intelligent light for different spaces

- Good quality of light through diffuse, glare-free light distribution
- Pleasant spatial atmosphere due to indirect light
- IP44 protection – suitable for bathrooms and protected outdoor areas

The LED RONDEL® is available with or without sensor, in 3000K and is simple to install. The concealed motion and day/night sensor with high frequency technology ensure optimum operating convenience with a range up to 10 metres.



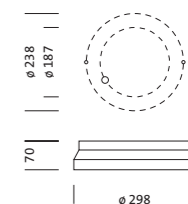
*Energy savings compared to luminaires with standard technologies. The possible power loss of traditional control gear solution is part of the calculation of the anticipated energy savings.



LED RONDEL®
surface-mounted luminaire with direct/indirect light control | with and without integrated HF sensor | opal cover with highly specular metal ring | diffuse distribution with decorative ceiling illumination | IP44 | insulation class I | service life: 30,000h (L70/B50)

Lamps	K	Ra	lm	W	lm/W	Control		Order No. OSRAM	Order No. Siteco
LED RONDEL®									
LED	3000	> 80	930	21	45	ON/OFF	1.4	4052899908635	OMD5247L54830
LED RONDEL® Sensor									
LED	3000	> 80	930	22	43	ON/OFF	1.8	4052899910195	OMD5247L548301

— energy efficiency class included LED modules: A++, A+, A. LED modules not replaceable.



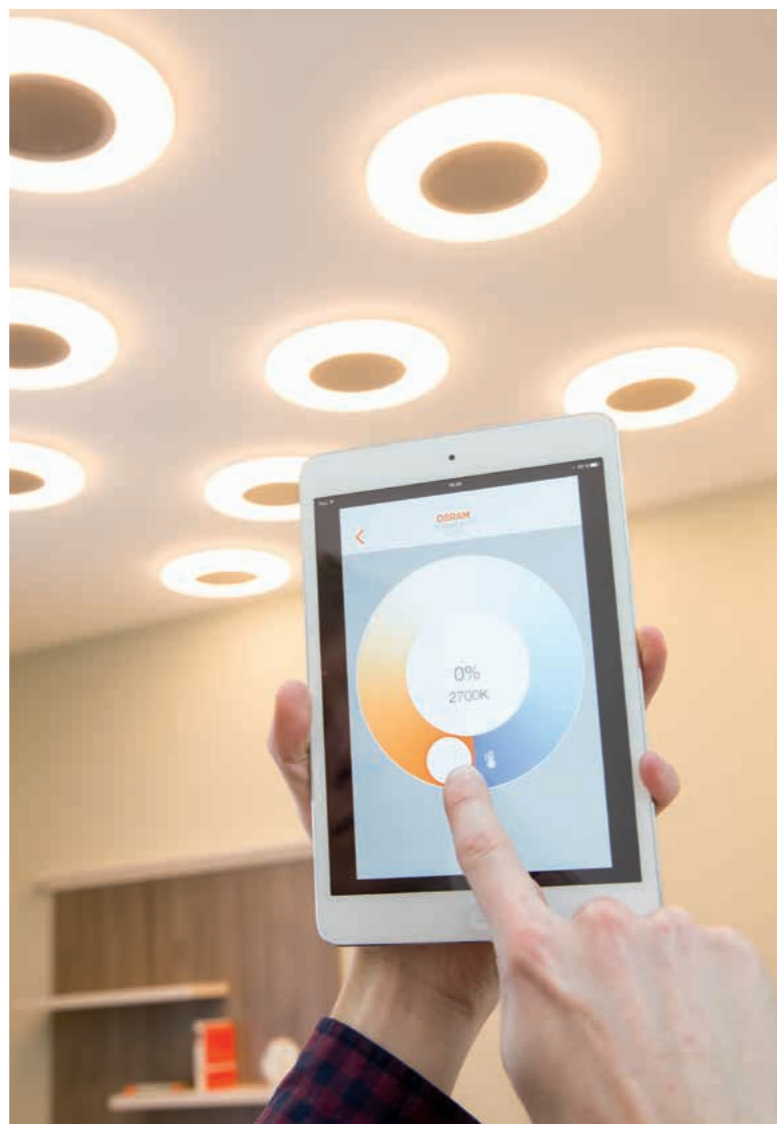


LIGHTIFY® Surface Light

Smart, easy and connected

- Extremely flat LED ceiling/wall luminaire family with smart lighting function (Zigbee)
- Easy light management refurbishment solution
- Tunable white versions with up to 1800lm
- Individual light scenes via LIGHTIFY® app
- Allows individual settings and grouping with other lighting devices
- Compatible with other products using Zigbee technology

LIGHTIFY® Surface Lights are perfectly suited when efficient, adjustable and dimmable wall and ceiling luminaires for general and accent lighting are needed and quick connectivity is a must, without major changes in the building infrastructure.



*Energy savings compared to luminaires with standard technologies. The possible power loss of traditional control gear solutions is part of the calculation of the anticipated energy savings.



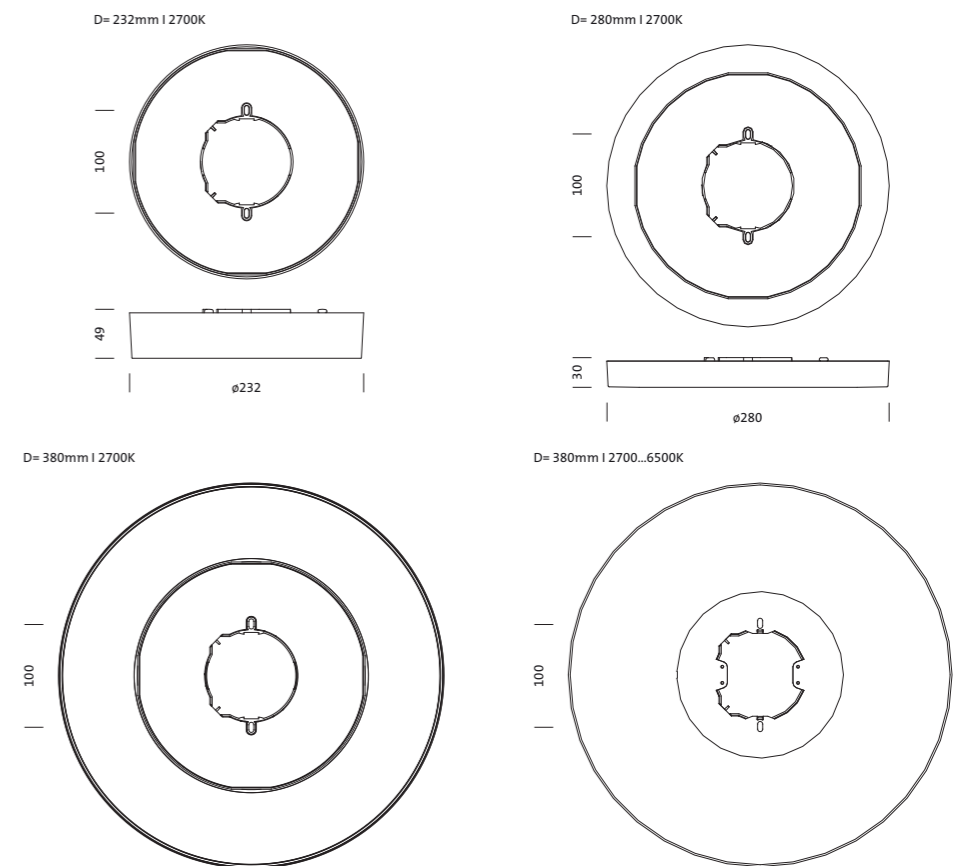
LIGHTIFY® SURFACE LIGHT

surface-mounted luminaire with direct/indirect light control | controllable via LIGHTIFY® Pro | IP20 | insulation class II | service life: 50,000h (L70/B50)

Lamps	K	Ra	lm	W	lm/W	Control	Ø [mm]	kg	Order No. OSRAM	Order No. Siteco
LED	2700	> 80	1600	22	73	LIGHTIFY® Pro	232	0.8	4052899290853	0YAA79455
LED	2700	> 80	1800	22	82	LIGHTIFY® Pro	280	0.7	4052899290839	0YAA79459
LED	2700	> 80	1800	22	82	LIGHTIFY® Pro	380	0.7	4052899290815	0YAA79470
LED	2700..6500	> 80	1800	28	64	LIGHTIFY® Pro	380	1.8	405289926158	0YAB40113

- energy efficiency class included LED modules: A++, A+, A. LED modules not replaceable.
- please order the LIGHTIFY® Pro Gateway separately
- please download the LIGHTIFY® Pro app in the App Store

Accessories	kg	Order No. OSRAM	Order No. Siteco
Gateway, LIGHTIFY®	1 pc. 0.3	405289930384	5LZ904800
push button interface	1 pc. 0.1	405289930377	5LZ904831





ECOPACK® LED

Functional, versatile, flexible

- Functional versatile lighting for a variety of applications
- Flexibility thanks to two lengths with two lumen packages and light colours each
- Mounting designed for a quick installation

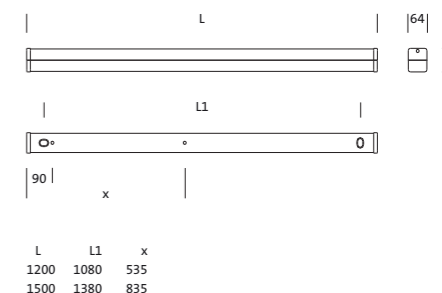
ECOPACK® LED is a new light batten with high light output for general lighting – functional and flexible thanks to two lengths with two lumen packages and light colours each as well as mounting options for wall and ceiling.



ECOPACK® LED
 linear surface-mounted luminaire with integrated ECG | diffuse extremely wide distribution (2x 60°) |
 IP20 | insulation class I | service life: 50,000h (L70/B50)

Lamps	K	R _a	lm	W	lm/W	Control	L [mm]	kg	Order No. OSRAM	Order No. Siteco
LED	3000	> 80	2000	18	111	ON/OFF	1200	1.1	4052899396982	0LJ311715830
LED	3000	> 80	4000	36	111	ON/OFF	1200	1.1	4052899396944	0LJ311730830
LED	3000	> 80	2500	23	109	ON/OFF	1500	1.0	4052899396906	0LJ311719830
LED	3000	> 80	5000	46	109	ON/OFF	1500	1.0	4052899396869	0LJ311738830
LED	4000	> 80	2000	18	111	ON/OFF	1200	1.1	4052899396968	0LJ311715840
LED	4000	> 80	4000	36	111	ON/OFF	1200	1.1	4052899396920	0LJ311730840
LED	4000	> 80	2500	23	109	ON/OFF	1500	1.0	4052899396883	0LJ311719840
LED	4000	> 80	5000	46	109	ON/OFF	1500	1.0	4052899396845	0LJ311738840

- energy efficiency class included LED modules: A++, A+, A. LED modules not replaceable.



*Energy savings compared to luminaires with standard technologies. The possible power loss of traditional control gear solutions is part of the calculation of the anticipated energy savings.



LUMILUX® Combi LED

Linear light. Elegant, discreet and with easy mounting

- Options available: with connection terminal (F), with cable and plug (N) or as expansion luminaire with system plug connectors (E)
- F and N versions can be used as single luminaires
- The E version can be linked up to the length of 15 m (13 pieces), creating a seamless, continuous row without dark spots
- Angle arrangement possible with flexible connection cable (supplied with the E version)

The LUMILUX® Combi LED is suitable either for creating a seamless, continuous row or as a single luminaire.



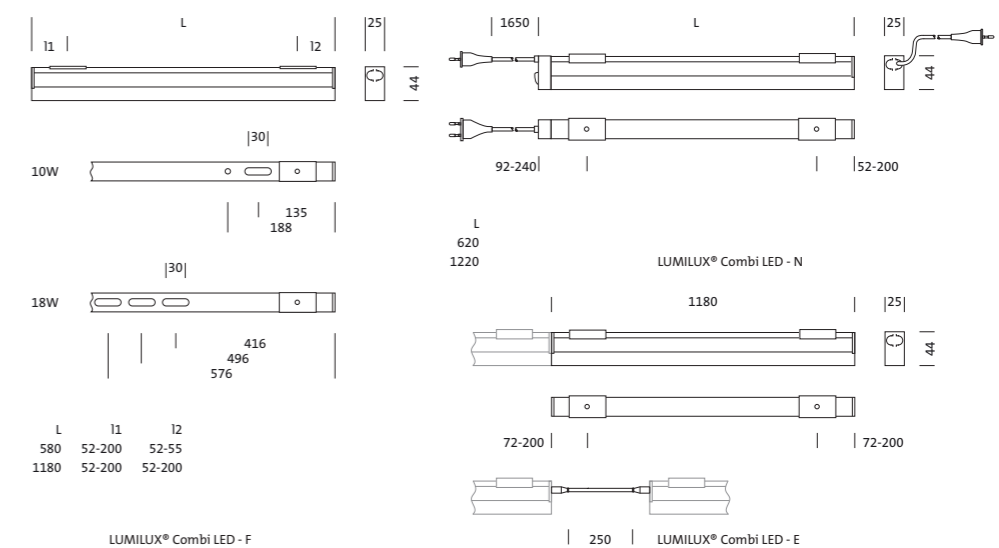
Energy saving
45%*



LUMILUX® Combi LED
luminaire for single arrangements or continuous rows | extremely wide distribution (2x 60°) | IP20 | insulation class II | service life: 35,000h (L70/B50)

Lamps	K	R _a	lm	W	lm/W	Control	kg	Order No. OSRAM	Order No. Siteco
LUMILUX® Combi LED-N									
LED	3000	> 80	930	10	93	ON/OFF	0.5	4052899932739	QLJ211710830N
LED	3000	> 80	1800	18	100	ON/OFF	0.8	4052899932814	QLJ211718830N
LED	4000	> 80	1100	10	110	ON/OFF	0.5	4052899335905	QLJ211710840N
LED	4000	> 80	2050	18	114	ON/OFF	0.8	4052899335929	QLJ211718840N
LUMILUX® Combi LED-F									
LED	3000	> 80	930	10	93	ON/OFF	0.5	4052899932753	QLJ211710830F
LED	3000	> 80	1800	18	100	ON/OFF	0.7	4052899932838	QLJ211718830F
LED	4000	> 80	980	10	98	ON/OFF	0.4	4052899932777	QLJ211710840F
LED	4000	> 80	1850	18	103	ON/OFF	0.7	4052899932852	QLJ211718840F
LUMILUX® Combi LED-E									
LED	3000	> 80	1800	18	100	ON/OFF	0.7	4052899932791	QLJ211718830E
LED	4000	> 80	1850	18	103	ON/OFF	0.7	4052899932876	QLJ211718840E

- energy efficiency class included LED modules: A++, A+, A. LED modules not replaceable.
- luminaire including mounting clips; according to version as single luminaire including connection cable with mains plug, or with connection terminals for fixed connection, or as expansion luminaire with system plug connector for continuous row mounting
- continuous row mounting with maximum of 13 luminaires per row – for continuous row arrangements a single luminaire with power plug (LUMILUX® Combi LED-N) or a single luminaire for fixed connection (LUMILUX® Combi LED-F) and the corresponding number of LUMILUX® Combi LED-E (expansion luminaires) is required per continuous row



*Energy savings compared to luminaires with standard technologies. The possible power loss of traditional control gear solutions is part of the calculation of the anticipated energy savings.

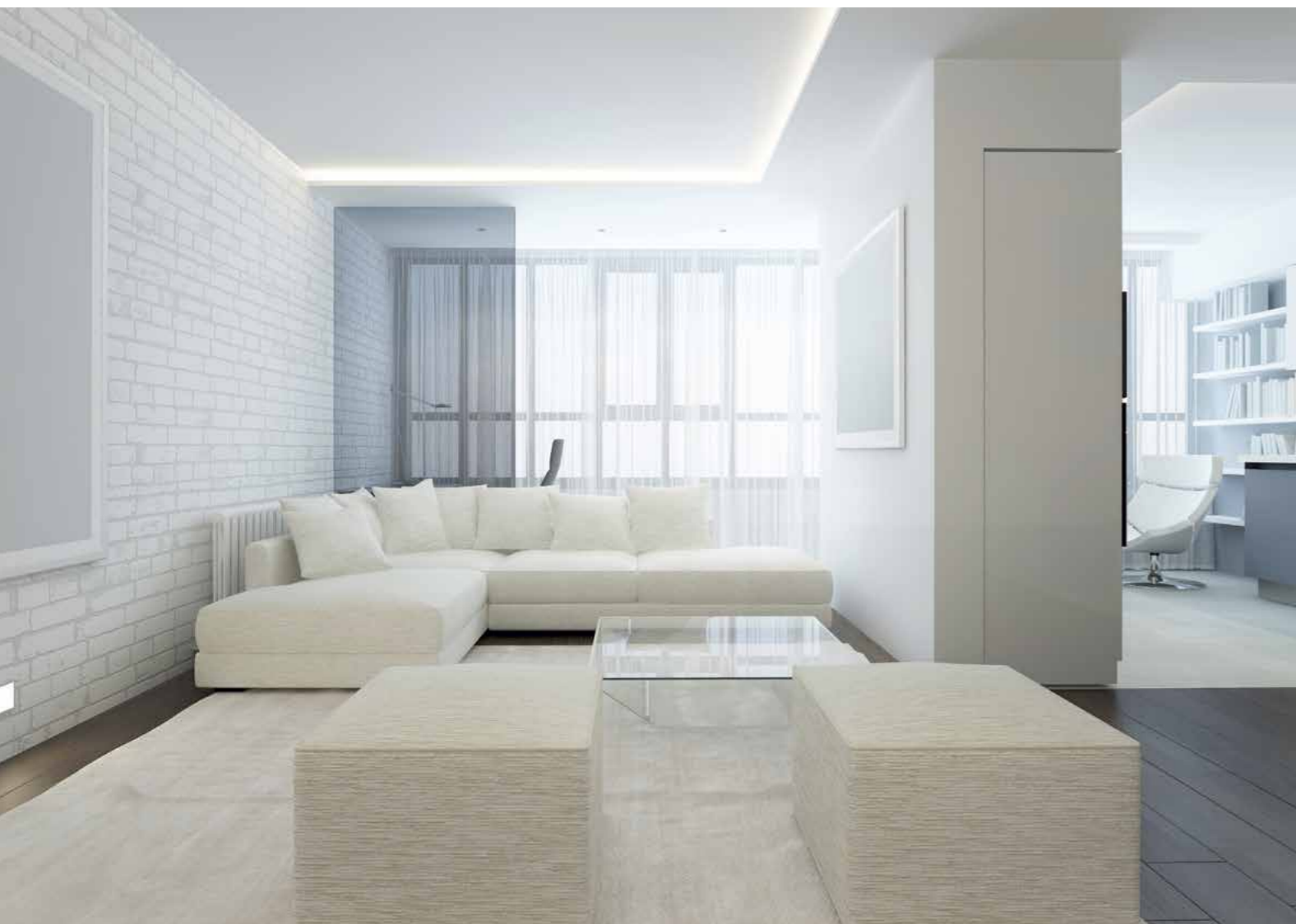


MINI LED BATTEN

The universal, cost-efficient LED under-cabinet luminaire

- Universal LED batten for almost all applications
- Compact dimensions for use in tight installation spaces
- Plug & Light: EU plug and cable for immediate use
- Integrated control unit with compact cross-section
- Robust, unibody, polycarbonate housing
- Stackable light lines (12 luminaires) without accessories

The LED MINI BATTEN is characterized by its low installation height and the possibility for continuous light connection in one line. The opal diffuser provides a pleasant atmosphere with good visual comfort. It can be used in under mounted installation or as a light for cupboards, cabinets, shelves, mirrors such as cove lighting



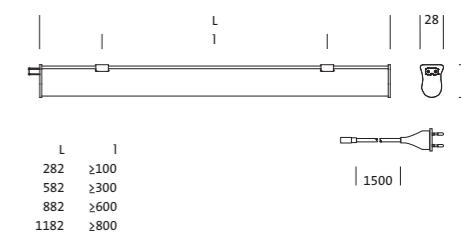
*Energy savings compared to luminaires with standard technologies. The possible power loss of traditional control gear solutions is part of the calculation of the anticipated energy savings.



MINI LED BATTEN
luminaire for single arrangements or continuous rows | extremely wide distribution | IP20 | insulation class II | service life: 20,000h (L70/B50)

Lamps	K	Ra	lm	W	lm/W	Control	L [mm]	kg	Order No. OSRAM	Order No. Siteco
LED	3000	> 80	320	4	80	ON/OFF	282	0.1	4052899288713	OFR21W704830
LED	3000	> 80	570	7	80	ON/OFF	582	0.2	4052899288737	OFR21W707830
LED	3000	> 80	790	10	80	ON/OFF	882	0.3	4052899288751	OFR21W710830
LED	3000	> 80	1140	14	80	ON/OFF	1182	0.4	4052899288775	OFR21W714830
LED	4000	> 80	340	4	84	ON/OFF	282	0.2	4052899288799	OFR21W704840
LED	4000	> 80	600	7	86	ON/OFF	582	0.2	4052899288812	OFR21W707840
LED	4000	> 80	850	10	84	ON/OFF	882	0.3	4052899288836	OFR21W710840
LED	4000	> 80	1200	14	86	ON/OFF	1182	0.4	4052899288850	OFR21W714840

- energy efficiency class included LED modules: A++, A+, A. LED modules not replaceable.
- includes connection cable with flat euro plug (l= 1.5m) and mounting clips
- with integrated plug connector for continuous row arrangements





POWERBRIK®

Compact, robust and functional

- High-performance LED system with system efficiency up to 90lm/W (net)
- High system service life up to 50,000 hours (L70/B50 at ta 25° C)
- Robust housing for challenging ambient conditions with high humidity and/or dust loads (IP65)
- High levels of installation and operating safety due to encapsulated LED- and ECG unit ('sealed for life')
- Two construction sizes with simple mounting and connection

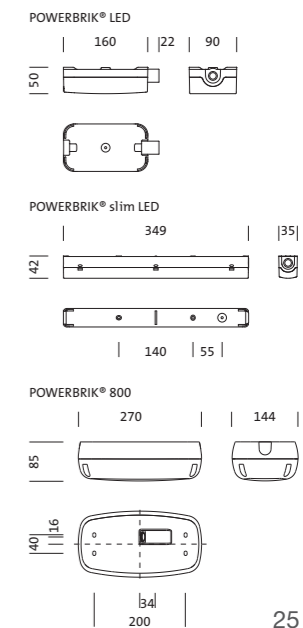
An excellent design for exposed applications, compact and extremely robust: the POWERBRIK® range. A diverse lighting solution also for challenging surroundings. Its robust housing and special sealing system make it also high reliable under adverse conditions.



POWERBRIK®
compact damp-proof luminaire for ceiling or wall surface-mounting | IP65 | insulation class II (POWERBRIK® LED, POWERBRIK® Slim LED) | insulation class I (POWERBRIK® 800 LED) | ta= -20...+40°C | service life: 50,000h (L70/B50) at 25°C

Lamps	K	Ra	lm	W	lm/W	Control	kg	Order No. OSRAM	Order No. Siteco
POWERBRIK®									
LED	4000	> 80	900	10	95	ON/OFF	0.4	4052899933965	OLS5297L10840
POWERBRIK® Slim									
LED	4000	> 80	900	10	95	ON/OFF	0.3	4052899933941	OLS5297L10840S
POWERBRIK® 800									
LED	3000	> 80	1700	21	82	ON/OFF	1.1	4052899957176	OLS529L21830
LED	4000	> 80	1800	21	86	ON/OFF	1.1	4052899957190	OLS529L21840

— energy efficiency class included LED modules: A++, A+, A. LED modules not replaceable.



*Energy savings compared to luminaires with standard technologies. The possible power loss of traditional control gear solutions is part of the calculation of the anticipated energy savings.



NEPTUNE® LED

The damp-proof luminaire

- Reverse polarity protection through encoded plug connector
- High security through anti-theft system
- Immediate usable light without starting time even at low temperatures
- Impact resistant (IK08) polycarbonate cover
- Anodised aluminium profile

NEPTUNE® LED is a functional damp-proof luminaire for environments where lights must be protected from moisture, dust, splashing or any other possible shocks. High resistance, functional design and ease of installation are the most important features of the Neptune® LED. This makes it perfect choice for industrial and storage areas, parking lots and hallways.

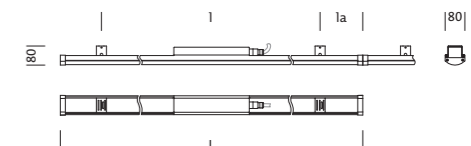


Energy saving
45%*

NEPTUNE® LED
decorative damp-proof luminaire for surface-mounting to ceilings or walls or for suspended mounting
| IP65 | insulation class II | t_a= -20...+40°C | service life: 50,000h (L70/B50) at 25°C

Lamps	K	R _a	lm	W	lm/W	Control	L [mm]	kg	Order No. OSRAM	Order No. Siteco
LED	4000	> 80	2000	21	95	ON/OFF	600	1.3	4052899910560	OLS1277L21840
LED	4000	> 80	4000	43	93	ON/OFF	1200	3.0	4052899910577	OLS1277L43840
LED	4000	> 80	5800	60	97	ON/OFF	1500	3.4	4052899921962	OLS1277L60840

— energy efficiency class included LED modules: A++, A+, A. LED modules not replaceable.
— for suspended mounting: please order chain separately



L	l	la
600	380...520	105...40
1200	380...1120	410...40
1500	380...1420	560...40

*Energy savings compared to luminaires with standard technologies. The possible power loss of traditional control gear solutions is part of the calculation of the anticipated energy savings.

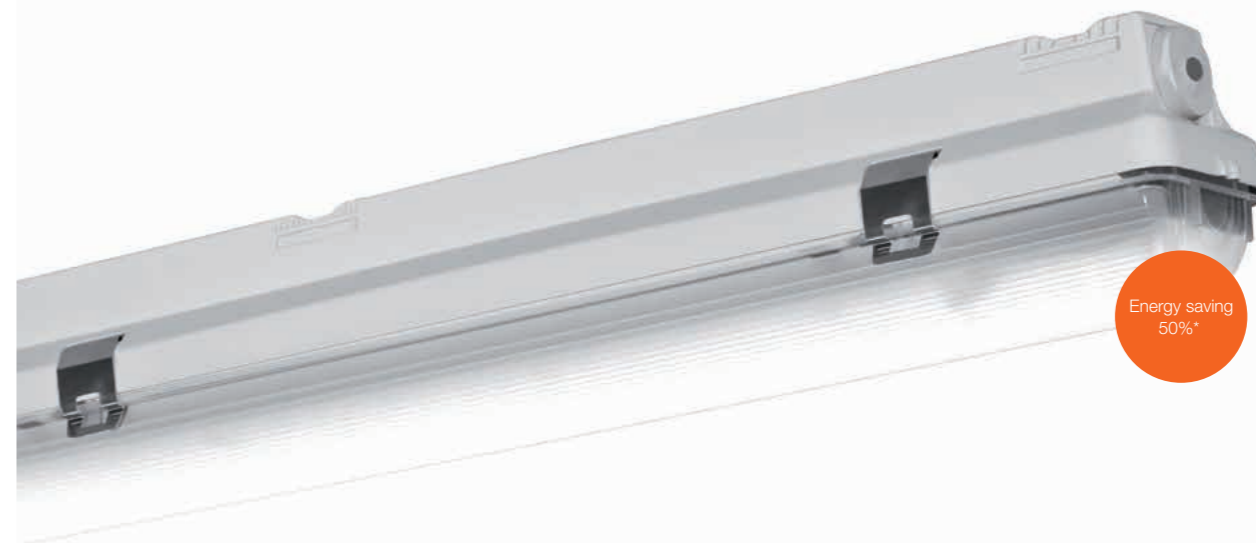


ORCA®

One damp-proof solution for various application fields

- Robust damp-proof diffuser luminaire (IK08) suitable for general use in environments with dust, humidity and normal temperatures (IP65)
- Simple and flexible LED refurbishment solution for standard T8 systems (1x 58W and 2x 36W)
- Direct and wide distribution with ceiling illumination; with injection-moulded prismatic cover in opal

Modern LED technology, a robust housing and easy installation options make the ORCA® a future-proof lighting solution for the refurbishment of conventional moisture-proof luminaires.



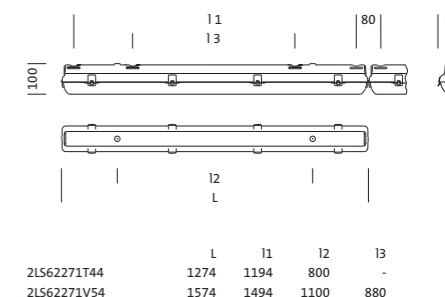
Energy saving 50%*



ORCA®
damp-proof diffuser luminaire for ceiling or wall surface mounting or suspended mounting | IP65 | insulation class I | IK08 | service life: 50,000h (L70/B50)

Lamps	K	Ra	lm	W	lm/W	Control	L [mm]	kg	Order No. OSRAM	Order No. Siteco
LED	4000	> 80	4000	35.5	113	ON/OFF	1274	1.8	4050737928180	2LS62271T44
LED	4000	> 80	5900	51	116	ON/OFF	1574	2.2	4050737928197	2LS62271V54

- energy efficiency class included LED modules: A++, A+, A. LED modules not replaceable.



*Energy savings compared to luminaires with standard technologies. The possible power loss of traditional control gear solutions is part of the calculation of the anticipated energy savings.



LUMILINE® IP65

Slender, compact, with high light output

- A slender-compact design with high lumen levels for applications needing high light output
- Completely integrated solution without external components
- High resistance for usage in challenging ambient conditions with high humidity and/or dust loads
- Exceedingly simple installation due to freely positionable mounting clips

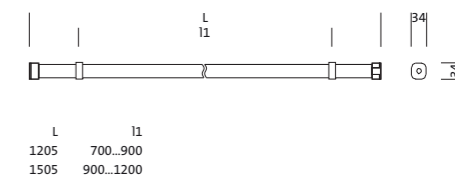
LUMILINE® IP65 is a reliable, completely integrable light solution with higher protection rating, available in two construction sizes and two lumen packages. It is the ideal solution for diverse conditions thanks to a tough, high quality housing in combination with a special sealing system.



LUMILINE® IP65
 extremely compact damp-proof luminaire for ceiling or wall surface-mounting | IP65 | insulation class II | $t_a = -15...+35^\circ\text{C}$ | service life: 35,000h (L70/B50)

Lamps	K	R _a	lm	W	lm/W	Control	L (mm)	kg	Order No. OSRAM	Order No. Siteco
LED	4000	> 80	3500	35	100	ON/OFF	1205	0.8	4052899946910	0LS6297LE840
LED	4000	> 80	4400	44	100	ON/OFF	1505	1.5	4052899946934	0LS6297LG840

- energy efficiency class included LED modules: A++, A+, A. LED modules not replaceable.
 - incl. mounting clips



*Energy savings compared to luminaires with standard technologies. The possible power loss of traditional control gear solutions is part of the calculation of the anticipated energy savings.



PUNCTOLED® DL

A quick change from traditional technology to LED

- High efficiency with up to 2000 lm and 87 lm/W (PUNCTOLED® DL 200)
- Pleasant light atmosphere and good visual comfort due to special optic for uniform light distribution
- Direct CFL replacement for 1x 26 W and 2x 26 W CFL with identical ceiling cut-outs and luminance intensities
- Good visual integration with similar design and feel to CFL downlights

PUNCTOLED® DL is the right choice for uniform, high lumen-output, high-quality general lighting and the perfect replacement for downlights with obsolete technology.



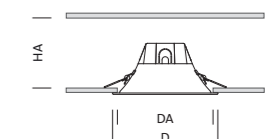
*Energy savings compared to luminaires with standard technologies. The possible power loss of traditional control gear solutions is part of the calculation of the anticipated energy savings.



PUNCTOLED® DL
downlight for ceiling recessing | wide distribution (2x 40°) | with frosted cover | IP20 | insulation class I | service life: 30,000h (L70/B50)

Lamps	K	R _a	lm	W	lm/W	Control	kg	Order No. OSRAM	Order No. Siteco
PUNCTOLED® DL150									
LED	3000	> 80	1050	13	81	ON/OFF	0.3	4052899934122	ODP10B77133R
LED	4000	> 80	1100	13	85	ON/OFF	0.2	4052899934139	ODP10B77133S
PUNCTOLED® DL200									
LED	3000	> 80	1900	24	79	ON/OFF	0.2	4052899934146	ODP10B77203R
LED	4000	> 80	1950	24	81	ON/OFF	0.2	4052899934153	ODP10B77203S

— energy efficiency class included LED modules: A++, A+, A. LED modules not replaceable.



PUNCTOLED® ...	D	DA	H	HA
...DL 150	165	150	80	110
...DL 200	216	200	90	120



PUNCTOLED® COB

A perfect replacement for halogen technology – and very simple

- Designed to replace 35 W/50 W/75 W high voltage halogen downlights with an identical ceiling cut-out (68 mm), luminous intensity and identical beam angle of 36°
- Pivotal and dimmable (forward and reverse phase)
- Design and feel similar to high voltage halogen downlights

PUNCTOLED® COB was developed for efficiently, simply upgrading high voltage halogen to LED downlights.



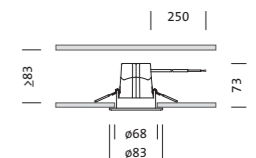
*Energy savings compared to luminaires with standard technologies. The possible power loss of traditional control gear solutions is part of the calculation of the anticipated energy savings.



PUNCTOLED® COB
directional spot for ceiling recessed mounting; tiltable 0°...±15° | narrow distribution (2x 18°) | highly specular | IP20 | insulation class II | service life: 30,000h (L70/B50)

Lamps	K	Ra	lm	W	lm/W	Control	OSRAM	Order No. OSRAM	Order No. Siteco
LED	3000	> 80	300	4.5	67	dimmmable with phase cut leading/trailing edge	0.3	4052899933989	ODP10C97023R
LED	3000	> 80	410	6	68	dimmmable with phase cut leading/trailing edge	0.3	4052899934009	ODP10C97033R
LED	3000	> 80	540	7.5	72	dimmmable with phase cut leading/trailing edge	0.3	4052899934023	ODP10C97053R
LED	4000	> 80	300	4.5	67	dimmmable with phase cut leading/trailing edge	0.3	4052899933996	ODP10C97023S
LED	4000	> 80	410	6	68	dimmmable with phase cut leading/trailing edge	0.3	4052899934016	ODP10C97033S
LED	4000	> 80	540	7.5	72	dimmmable with phase cut leading/trailing edge	0.3	4052899934030	ODP10C97053S

– energy efficiency class included LED modules: A++, A+, A. LED modules not replaceable.



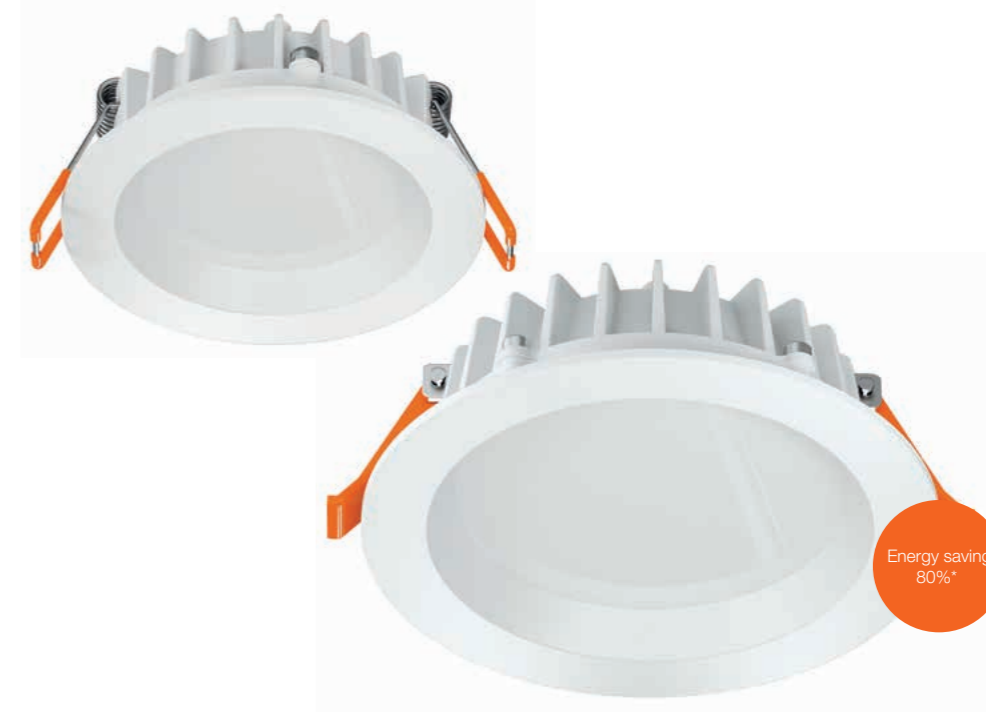


PUNCTOLED® IP65

A particularly robust downlight

- High power LED downlights with IP65 protection
- Solid aluminium housing
- Comfortable diffuse light
- Substituting traditional CFL and halogen downlights
- Wide beam angle: 90°

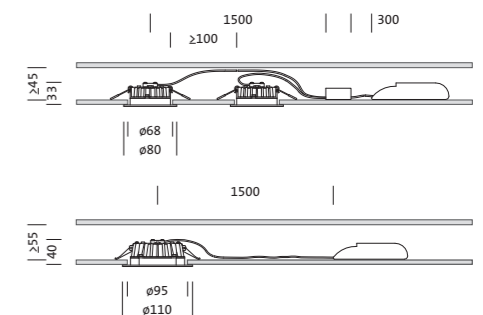
With a warm diffused light and wide beam angle, PUNCTOLED® IP65 is the perfect replacement for conventional downlights with halogen lamps. The high IP65 protection rating enables secure installation even in damp rooms.



PUNCTOLED® IP65
downlight for ceiling recessing | wide distribution (2x 45°) | with frosted cover | IP20 (IP65 on room side) | insulation class II | service life: 50,000h (L70/B50)

Lamps	K	Ra	lm	W	lm/W	Control			Order No. OSRAM	Order No. Siteco
LED	3000	> 80	330	5.5	60	dimnable with phase cut leading/trailing edge	68	0.5	4052899910645	ODP10C72V365
LED	3000	> 80	600	10	60	dimnable with phase cut leading/trailing edge	95	0.5	4052899910652	ODP10C77S365

— energy efficiency class included LED modules: A++, A+, A. LED modules not replaceable.



*Energy savings compared to luminaires with standard technologies. The possible power loss of traditional control gear solutions is part of the calculation of the anticipated energy savings.



LEDVALUX® DOWNLIGHT S, M, L, XL

Setting accents in diverse applications

- Good colour rendering index (CRI > 80) for prestigious surroundings
- Single design for the complete range
- Efficient, low-maintenance replacement for low voltage/halogen (S/M) and compact fluorescent lamp versions (L/XL)
- Simple handling due to low weight and low recessing depth, with ECG for direct connection

LEDVALUX® DOWNLIGHT S, M, L, XL are ideal replacements whenever efficiency is needed. Easy-to-install, dimmable downlights are a perfect solution either for well-balanced general light or attractive lighting accents.



*Energy savings compared to luminaires with standard technologies. The possible power loss of traditional control gear solutions is part of the calculation of the anticipated energy savings.



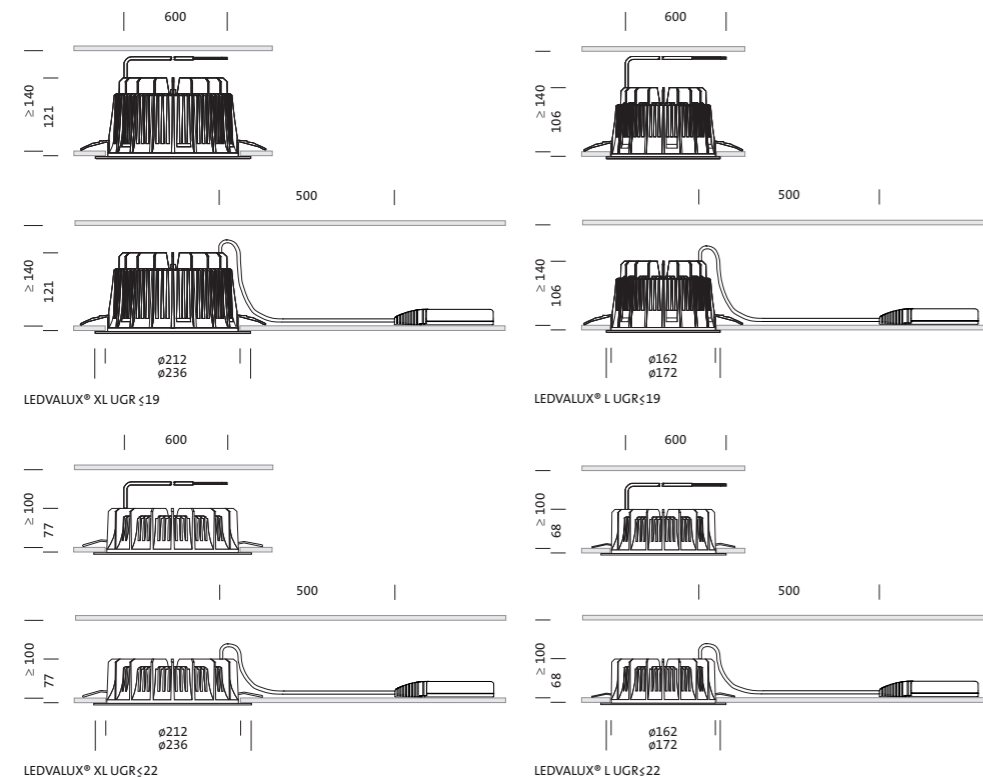
LEDVALUX® DOWNLIGHT S, M, L, XL

LEDVALUX®

downlight LEDVALUX® L or ...XL for ceiling recessed mounting | UGR ≤ 19: wide distribution (2x 30°); UGR ≤ 22: wide distribution (2x 40°) | with frosted cover | IP20 (IP54 on room side) | insulation class II | service life: up to 50,000h (L70/B50)

Lamps	K	Ra	lm	W	lm/W	Control	kg	Order No. OSRAM	Order No. Siteco
LEDVALUX® XL, UGR ≤ 19									
LED	3000	> 80	1770	17	104	ON/OFF	0.7	4052899951297	ODX11B77Y3R9
LED	3000	> 80	1770	17	104	DALI	0.9	4052899951303	ODX11BD7Y3R9
LED	4000	> 80	1950	17	115	ON/OFF	0.7	4052899951310	ODX11B77Y3S9
LED	4000	> 80	1950	17	115	DALI	0.9	4052899951327	ODX11BD7Y3S9
LEDVALUX® XL, UGR ≤ 22									
LED	3000	> 80	1770	19	93	ON/OFF	0.7	4052899093638	ODX11A7833R
LED	3000	> 80	1770	19.5	91	DALI	0.9	4052899923553	ODX11AD833R
LED	4000	> 80	1970	19	104	ON/OFF	0.7	4052899093676	ODX11A7833S
LED	4000	> 80	1970	19.5	101	DALI	0.9	4052899923560	ODX11AD833S
LEDVALUX® L, UGR ≤ 19									
LED	3000	> 80	1040	11	94	ON/OFF	0.5	4052899951259	ODL11B77H3R9
LED	3000	> 80	1040	11	94	DALI	0.6	4052899951266	ODL11BD7H3R9
LED	4000	> 80	1120	11	102	ON/OFF	0.5	4052899951273	ODL11B77H3S9
LED	4000	> 80	1120	11	102	DALI	0.6	4052899951280	ODL11BD7H3S9
LEDVALUX® L, UGR ≤ 22									
LED	3000	> 80	1050	12	88	ON/OFF	0.4	4052899093591	ODL11A78C3R
LED	3000	> 80	1050	12.5	84	DALI	0.6	4052899923539	ODL11AD8C3R
LED	4000	> 80	1120	12	93	ON/OFF	0.8	4052899093614	ODL11A78C3S
LED	4000	> 80	1120	12.5	90	DALI	0.6	4052899923546	ODL11AD8C3S

— energy efficiency class included LED modules: A++, A+, A. LED modules not replaceable.



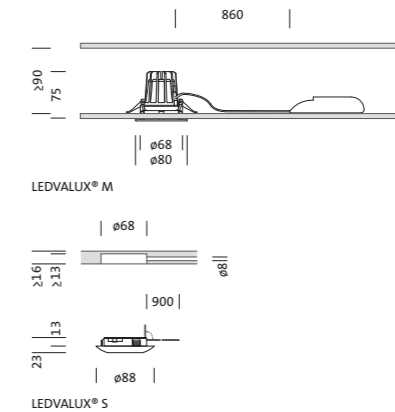
LEDVALUX®

directional spotlight LEDVALUX® M for ceiling recessed mounting | narrow distribution (2x 18°) | with prismatic cover | IP20 (IP54 on room side) | insulation class II | service life: up to 50,000h (L70/B50) | downlight ...S for furniture recessing | wide distribution (2x 40°) | IP20 | insulation class II | MM

Lamps	K	Ra	lm	W	lm/W	Control	kg	Order No. OSRAM	Order No. Siteco
LEDVALUX® M, UGR ≤ 19									
LED	3000	> 80	700	10.3	68	dimnable with phase cut leading/trailing edge	0.3	4052899927254	ODM11H77S3R
LED	4000	> 80	750	10.3	73	dimnable with phase cut leading/trailing edge	0.3	4052899927261	ODM11H77S3S
LEDVALUX® S, silver									
LED	3000	> 80	330	5.3	61	ON/OFF	0.3	4052899927339	ODS11B77V2R
LED	4000	> 80	330	5.3	61	ON/OFF	0.3	4052899927353	ODS11B77V2S
LEDVALUX® S, white									
LED	3000	> 80	330	5.3	61	ON/OFF	0.3	4052899927346	ODS11B77V3R
LED	4000	> 80	330	5.3	61	ON/OFF	0.2	4052899927360	ODS11B77V3S

— energy efficiency class included LED modules: A++, A+, A. LED modules not replaceable.

Accessories for LEDVALUX® S	kg	Order No. OSRAM	Order No. Siteco
surface mounted housing, silver	1 pc. 0.1	4008321691385	ODS91105
surface mounted housing, white	1 pc. 0.1	4008321691354	ODS91103





NJ200 GIGANTE®

A functional high bay luminaire for industrial environments

- LED high bay luminaire for easy one-point installation
- Direct substitute for high bay luminaires with 250W and 400W HQL or HQI lamps
- Very low in maintenance thanks to LEDs and ON/OFF-ECG with long lifetime up to 50,000 hrs
- High quality impact resistant housing with IP65 and IK06 protection

Energy efficient, robust, reliable, easy to handle, low maintenance and suitable for a wide range of applications - these were the specifications our designers used to create a new high bay luminaire. The result: the NJ200 GIGANTE®.



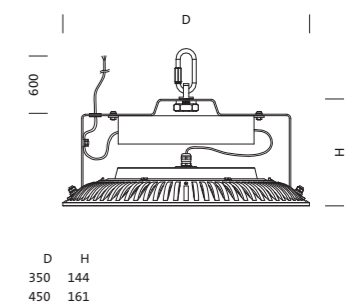
Energy saving
48%*

NJ200 GIGANTE®
high bay luminaire for ceiling surface or suspended mounting | IP65 | insulation class I | t_a= -20...+40°C
| service life: 50,000h (L70/B50) at 25°C

Lamps	K	R _a	lm	W	lm/W	Control	D [mm]	Kg	Order No. OSRAM	Order No. Siteco
LED	4000	> 80	13200	145	91	ON/OFF	350	3.5	4050737914718	5NJ22271B0H
LED	4000	> 80	21200	230	92	ON/OFF	450	4.5	4050737914732	5NJ22271B0M

- energy efficiency class included LED modules: A++, A+, A. LED modules not replaceable.
- incl. connection cable (= 600mm) with free wire ends
- includes suspension eyelet and screw carabiner of V2A; Fixing to on-site eyelet without further luminaire-specific installing accessories; for further installation methods: please order mounting accessory separately

Accessories	Icon	Kg	Order No. OSRAM	Order No. Siteco
mounting bracket, 350mm		0.9	4050737919645	5NJ20001
mounting bracket, 450mm		1.2	4050737919676	5NJ20002



*Energy savings compared to luminaires with standard technologies. The possible power loss of traditional control gear solutions is part of the calculation of the anticipated energy savings.



NOXLITE® LED HP FLOODLIGHT II

Light precisely when it is needed

- Precise illumination via a pivotable luminaire head
- Detects motion through two PIR sensors (for sneak-by protection)
- Simple installation thanks to 'Fast Fix Connection'

The NOXLITE® LED HP (high-power) FLOODLIGHT II is available in two UV-resistant housing colours and two lumen packages. IP44 protection and settable sensor technology enable ideal adaptation to specific situations.



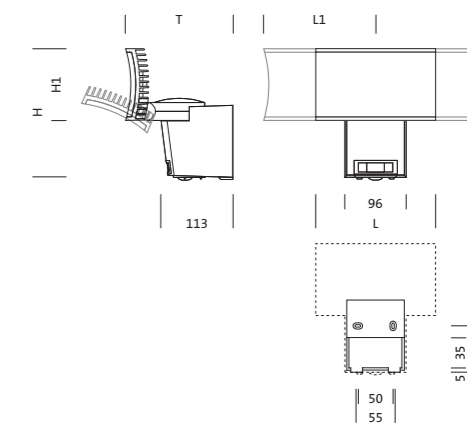
*Energy savings compared to luminaires with standard technologies. The possible power loss of traditional control gear solutions is part of the calculation of the anticipated energy savings.



NOXLITE® LED HP FLOODLIGHT II surface-mounted spotlight with multisensor | IP44 | insulation class I | service life: 30,000h (L70/B50)

Lamps	K	Ra	lm	W	lm/W	Control	L [mm]	H [mm]	Order No. OSRAM	Order No. Siteco
anthracite										
LED	3000	> 80	1470	22	67	ON/OFF	189	1.5	4052899905603	ONA74121EA225
LED	3000	> 80	3000	40	75	ON/OFF	211	2.0	4052899905610	ONA74121JA225
white										
LED	3000	> 80	1470	22	67	ON/OFF	189	1.5	4052899917996	ONA74121ES225
LED	3000	> 80	3000	40	75	ON/OFF	211	2.0	4052899918009	ONA74121JS225

— energy efficiency class included LED modules: A++, A+, A. LED modules not replaceable.



L	L1	H	H1	T
188	94..177	200..130	115	171..267
210	105..206	225..145	140	180..294



NOXLITE® SMART

Intelligent light for groups of luminaires

- Wireless grouping of several luminaires
- Concealed motion and day/night sensor
- Robust, UV-resistant housing protected against dust and water jets (IP55)
- Simple mounting with the “Fast-Fix Connection”

NOXLITE® SMART revolutionizes outdoor lighting. NOXLITE® SMART Spot Single/Double are the innovative, efficient solutions for planar light. SMART: Wireless configuration of various luminaire groups – simple, individual and without additional software.



NOXLITE® SMART

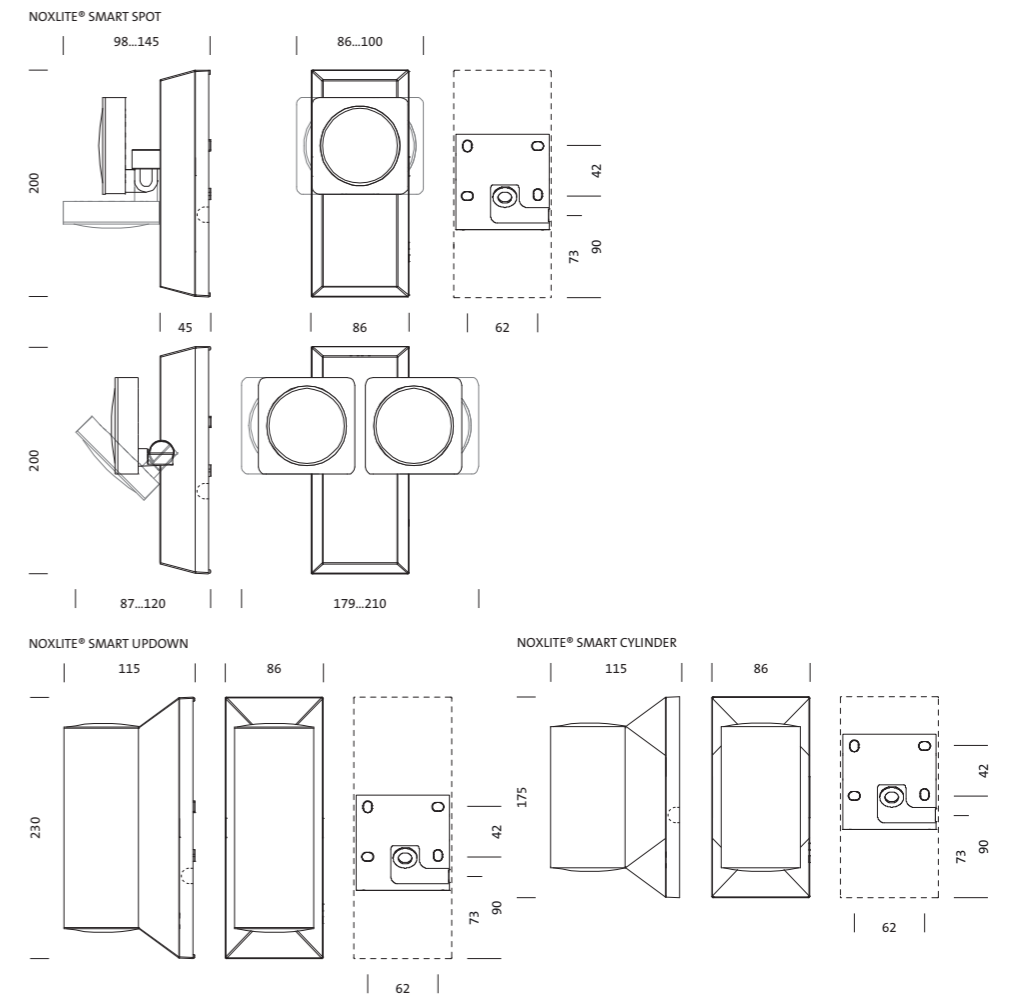
NOXLITE® SMART SPOT | surface-mounted spotlight with multisensor; with 1 or 2 luminaire heads

NOXLITE® SMART UPDOWN | surface-mounted spotlight; light emission above and below

NOXLITE® SMART CYLINDER | surface-mounted spotlight; light emission above or below
interconnectable into groups via radio | IP55 | insulation class II | t_a= -20...+40°C | service life: 30,000h (L80/B50)

Lamps	K	R _a	lm	W	lm/W	Control	kg	Order No. OSRAM	Order No. Siteco
NOXLITE® SMART SPOT									
LED	3000	> 80	1x 520	7	75	ON/OFF	0.6	4052899934313	OXA74410GS215
LED	3000	> 80	2x 545	13	81	ON/OFF	0.9	4052899934320	OXA74410JS215
NOXLITE® SMART UPDOWN									
LED	3000	> 80	2x 350	9	79	ON/OFF	0.7	4052899934337	OXA745IS215
NOXLITE® SMART CYLINDER									
LED	3000	> 80	1x 500	7	71	ON/OFF	0.6	4052899392816	ONA7441VI215

— energy efficiency class included LED modules: A++, A+, A. LED modules not replaceable.



*Energy savings compared to luminaires with standard technologies. The possible power loss of traditional control gear solutions is part of the calculation of the anticipated energy savings.



NOXLITE® LED CIRCULAR

Light in its most perfect form

- High quality of light – uniform, wide illumination with direct and indirect components
- Pleasant light: Warm white, diffuse, glare-reduced light distribution
- Concise attractive design during day and night

Timelessly elegant. And yet equipped with state-of-the-art technology. NOXLITE® CIRCULAR is the ideal solution for light on walls and ceilings. For light only when it is needed, and with a concealed motion sensor.

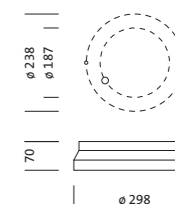


NOXLITE® LED CIRCULAR

surface-mounted luminaire | with or without integrated sensor | opal cover with matt metal ring | diffuse distribution with decorative ceiling illumination | IP44 | insulation class I | t_a= -20...+40°C | service life: 30,000h (L70/B50)

Lamps	K	R _a	lm	W	lm/W	Control	kg	Order No. OSRAM	Order No. Siteco
LED	3000	> 80	930	21	45	ON/OFF	1.4	4052899905627	0NA74710GS225
with multi-sensor, movement									
LED	3000	> 80	930	21.5	43	ON/OFF	1.4	4052899905634	0NA74710GS215

— energy efficiency class included LED modules: A++, A+, A. LED modules not replaceable.



*Energy savings compared to luminaires with standard technologies. The possible power loss of traditional control gear solutions is part of the calculation of the anticipated energy savings.

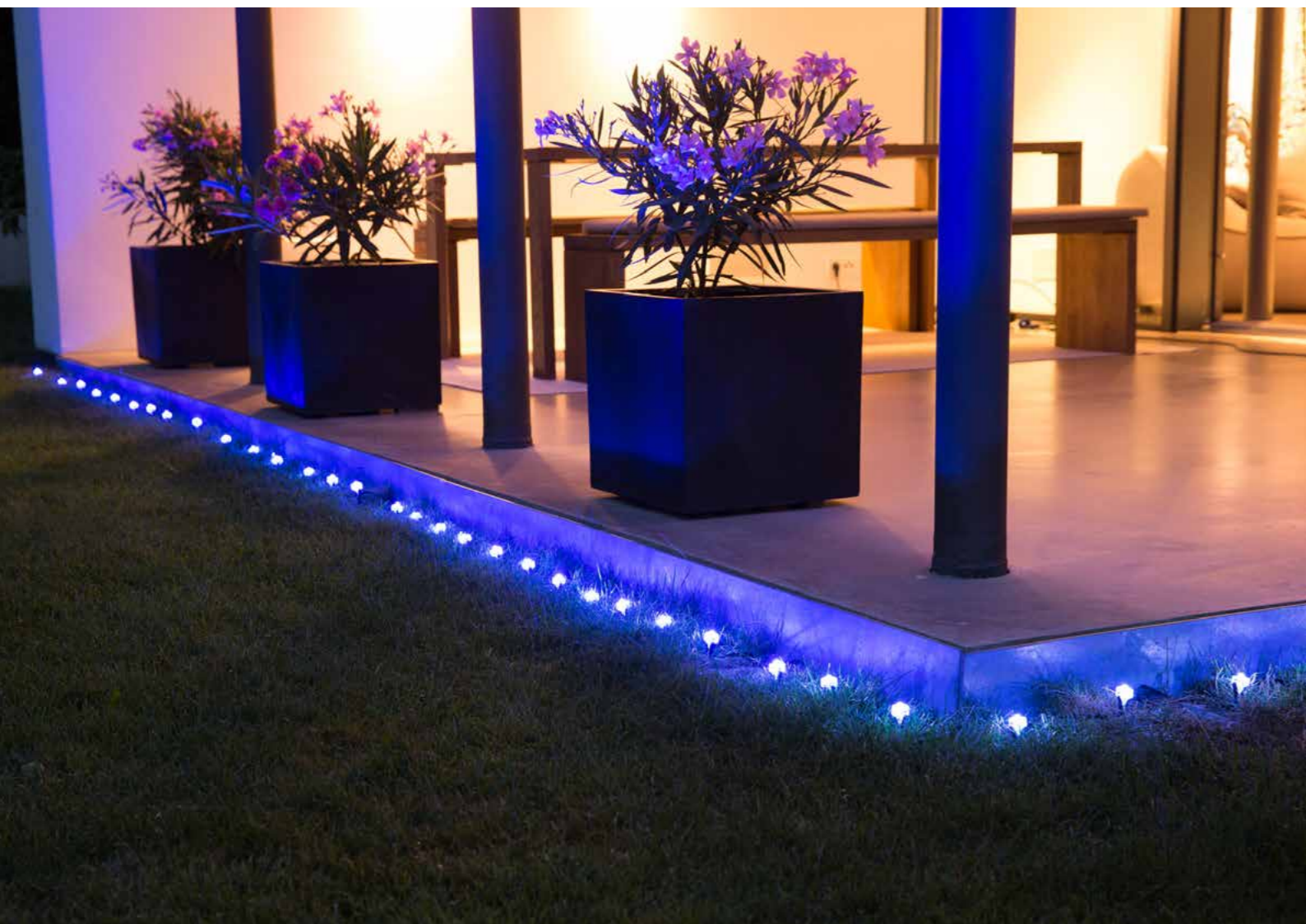


LIGHTIFY® Garden Spot

Intelligent, smart, controllable

- Smart garden light with minimum energy consumption
- Various application areas
- Individual light scenes via LIGHTIFY® app
- Allows individual settings and grouping with other lighting devices
- Flexible access also from a distance
- Compatible with other products using Zigbee technology

LIGHTIFY® Garden Spot Mini is an easy garden light and terrace wall washer with super effect, minimal power consumption and integrated smart control. This solution gives various possibilities for garden, terrace and balcony use (earth spike, adhesive, screw-on).

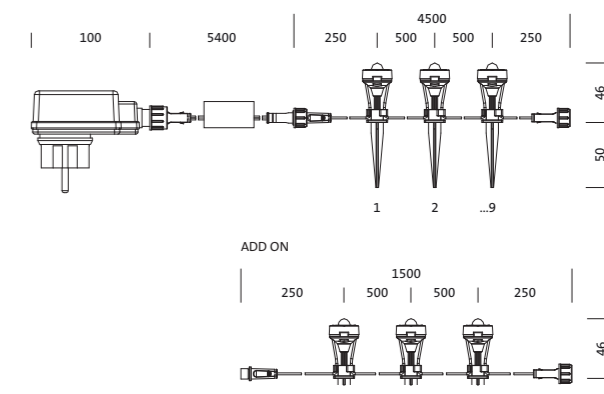


LIGHTIFY® Garden Spot
intelligent and decorative garden lighting | controllable via LIGHTIFY® Pro | IP66 (control gear: IP44) | insulation class II | service life: 20,000h

Lamps	K	Ra	lm	W	Control	kg	Order No. OSRAM	Order No. Siteco
9x LED	2700	> 80	25	6	LIGHTIFY® Pro	0.4	4052899926127	OYAA68194
9x LED RGB			25	6	LIGHTIFY® Pro	0.5	4052899926134	OYAA68195

- energy efficiency class included LED modules: A++, A+, A. LED modules not replaceable.
- please order the LIGHTIFY® Pro Gateway separately
- please download the LIGHTIFY® Pro app in the App Store

Accessories	kg	Order No. OSRAM	Order No. Siteco
ADD ON, 3x LED, 2700K, CRI > 80, 1.5W, LIGHTIFY® Pro	1 pc. 0.1	4052899929821	ONA748WB025V1
ADD ON, 3x LED RGB, 1.5W, LIGHTIFY® Pro	1 pc. 0.1	4052899929838	ONA748WB027V1
Gateway, LIGHTIFY®	1 pc. 0.3	4052899930384	5LZ904800
push button interface	1 pc. 0.1	4052899930377	5LZ904831



*Energy savings compared to luminaires with standard technologies. The possible power loss of traditional control gear solutions is part of the calculation of the anticipated energy savings.



OSRAM GmbH

Head office:

Marcel-Breuer-Strasse 6
80807 Munich, Germany
Phone +49 89 6213-0
Fax +49 89 6213-2020
www.osram.com

OSRAM Limited

Centrix House
26 Crow Lane East | Newton-le-Willows
WA12 9UY
Phone +44 1925 273 360
www.osram.co.uk

Our Brands

