

EXTEND – Ex – P – LED

IP 66



Application: EXTEND-Ex-P-LED dustproof light fixture with resistance against water jets is designed for premises with danger of explosion.

Ballast: Electronic ballast 110-254 V/50-60Hz AC, 220-250V DC

Body: Plastic material GRP (polystyr filled with fibreglass), grey colour RAL7035

Cover: Plastic material PC (polycarbonate), transparent colour

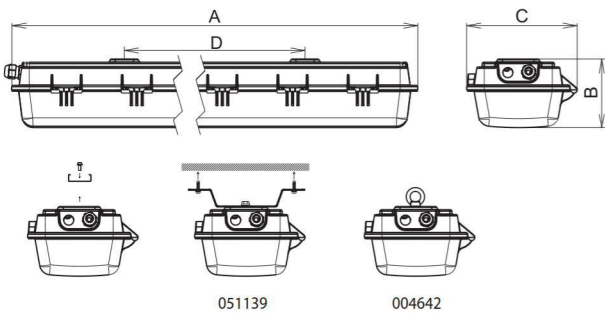
Reflector: White painted metal sheet RAL9003

Fastening: Direct fastening on the carrier base, fastening on ceiling or wall by means of set of ceiling brackets or suspension with suspension brackets.

Connection: WAGO® Ex terminal block, max. diameter of wires 4,0 mm²; light fixture is ready to connect two wires (order additional cable gland)

Standard equipment: 1 pc sealing cable gland, 2 pcs sealing plug, double clamp of wire

On request: **MULTI** – maintained emergency lighting (1 h, 3 h) – see page 155
1F/3F – one or three phase through-wiring connection
 Providing with cable glands for armoured cables



	l ₁	l ₂	l ₃	l ₄	l ₅	l ₆	l ₇	l ₈	l ₉	l ₁₀	l ₁₁	l ₁₂	l ₁₃	l ₁₄	l ₁₅	l ₁₆	l ₁₇	l ₁₈	l ₁₉	l ₂₀	l ₂₁	l ₂₂	l ₂₃	l ₂₄	l ₂₅	l ₂₆	l ₂₇	l ₂₈	l ₂₉	l ₃₀	l ₃₁	l ₃₂	l ₃₃	l ₃₄	l ₃₅	l ₃₆	l ₃₇	l ₃₈	l ₃₉	l ₄₀	l ₄₁	l ₄₂	l ₄₃	l ₄₄	l ₄₅	l ₄₆	l ₄₇	l ₄₈	l ₄₉	l ₅₀	l ₅₁	l ₅₂	l ₅₃	l ₅₄	l ₅₅	l ₅₆	l ₅₇	l ₅₈	l ₅₉	l ₆₀	l ₆₁	l ₆₂	l ₆₃	l ₆₄	l ₆₅	l ₆₆	l ₆₇	l ₆₈	l ₆₉	l ₇₀	l ₇₁	l ₇₂	l ₇₃	l ₇₄	l ₇₅	l ₇₆	l ₇₇	l ₇₈	l ₇₉	l ₈₀	l ₈₁	l ₈₂	l ₈₃	l ₈₄	l ₈₅	l ₈₆	l ₈₇	l ₈₈	l ₈₉	l ₉₀	l ₉₁	l ₉₂	l ₉₃	l ₉₄	l ₉₅	l ₉₆	l ₉₇	l ₉₈	l ₉₉	l ₁₀₀
– electronic ballast with disconnector, -30°C ≤ t_a ≤ +55°C																																																																																																				
EXTEND-Ex-P-LED-2500lm (2x18W)																														2500	728 x 244 x 154 x 570																																																																					
EXTEND-Ex-P-LED-5000lm (2x36W)																														5000	1328 x 244 x 154 x 830																																																																					
– electronic ballast, maintained emergency mode, duration 1,5h, 3h t_a 0-35°C																																																																																																				
MULTIEXTEND-Ex-P-LED-2500lm, 1,5h																														2500	728 x 244 x 154 x 570																																																																					
MULTIEXTEND-Ex-P-LED-2500lm, 3h																														2500	728 x 244 x 154 x 570																																																																					
– electronic ballast, maintained emergency mode, duration 1,5h, 3h t_a 0-45°C																																																																																																				
MULTIEXTEND-Ex-P-LED-5000lm, 1,5h																														5000	1328 x 244 x 154 x 830																																																																					
MULTIEXTEND-Ex-P-LED-5000lm, 3h																														5000	1328 x 244 x 154 x 830																																																																					

– special accessories

053295	Set of ceiling brackets EXTEND (2pcs)
053296	EXTEND set of pole brackets (2pcs)

System of marking

EXTEND-Ex-P-LED-WOD	EXTEND -Ex - P -LED without disconnector
EXTEND-Ex-P-LED-D	EXTEND -Ex - P -LED with disconnector
EXTEND-Ex-P-LED-2D	EXTEND -Ex - P -LED with two disconnectors
EXTEND-Ex-P-LED-1P	EXTEND -Ex - P -LED + with one-phase through wiring connection
EXTEND-Ex-P-LED-3P	EXTEND -Ex - P -LED + with three-phase through wiring connection

This project has been funded with support from the state budget through the Ministry of Industry and Trade

ČVUT – Faculty of Electrical Engineering cooperated on this project.



051139



004642