



# Outstanding results, every time

Discover our new ranges of wiring devices:  
Exxact™ Full Cover Surface-Mounted Boxes,  
Exxact™ Surface, and Renova Surface



[se.com](https://se.com)

Life Is On

**Schneider**  
Electric



# Offer a perfect match for any interior

Every home is unique. That's why finding wiring devices that match your customers' distinct interior design can be a challenge.

To help you better cater to this diversity, we have added new surface-mounted switches and sockets to our switch range offer.

Not only elegant and stylish, but also cleverly designed, Exxact Surface, Exxact Full Cover Surface-Mounted Boxes and Renova Surface give your customers a broader selection of functions and designs, while also making installation simpler for you.

So you save time for extra finishing touches and deliver outstanding results, every time.



[Watch the video](#)





## Sustainable products

Exxact Surface, Exxact Full Cover Surface-Mounted Boxes, and Renova Surface have received our [Green Premium™ ecolabel](#) that stands for complete and transparent information about their environmental footprint.







# Meet our surface mounted devices

With both outstanding looks and functionality, our surface-mounted devices fit a wide scope of installation environments and interior designs.

## Exxact Surface

Modern, subtly designed Exxact Surface devices can complement any room of the house, from attic to basement. The range covers a wide range of functions (from single, double, and quadruple sockets, to switches and connection boxes) and is available in the same high-gloss surface finish and white color as the flush mounted Exxact switch range.





### Exxact Full Cover Surface-Mounted Boxes

With the surface-mounted boxes, more than 300 functions from the flush Exxact offer can be adapted for surface mounting. New skirting boxes complement the offer. The boxes have a strong design link to the Exxact Primo range and are available in high-gloss white.





## Renova Surface

The classic, retro look of Renova Surface devices perfectly fits vintage interiors. The range covers most popular functions (switches, sockets, double sockets etc.) and is available in classic Renova colors, white and black, in mixed gloss and matt finishing.





# Save time on installation

Knowing how strenuous an electrician's schedule can be, we have designed our surface-mounted products for quick and easy installation. We have simply kept what was good and added features to make your work easier.

## Familiar inserts

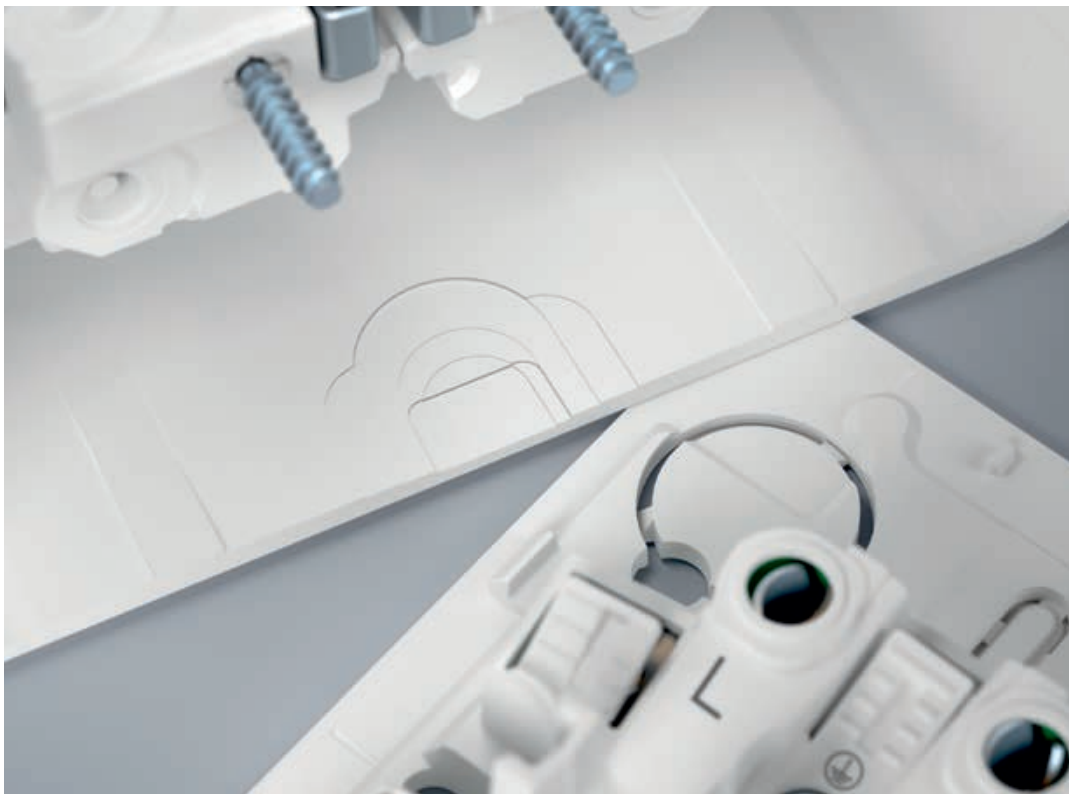
Exxact and Renova surface-mounted wiring devices use mostly the same inserts as their well-known flush counterparts.

## Discover our handy tools

Use our handy pliers to cut out aesthetic cable openings in one snap and perfectly position the device on the wall with the ingenious level tool.

## Installer-friendly features

On the inside of every device, you will find several features that simplify and help speed up installation. They include bottom plates with easily removable knock-outs, center indications for easier device positioning on the wall, and cut-out markings that indicate where to cut for the most common cable sizes.



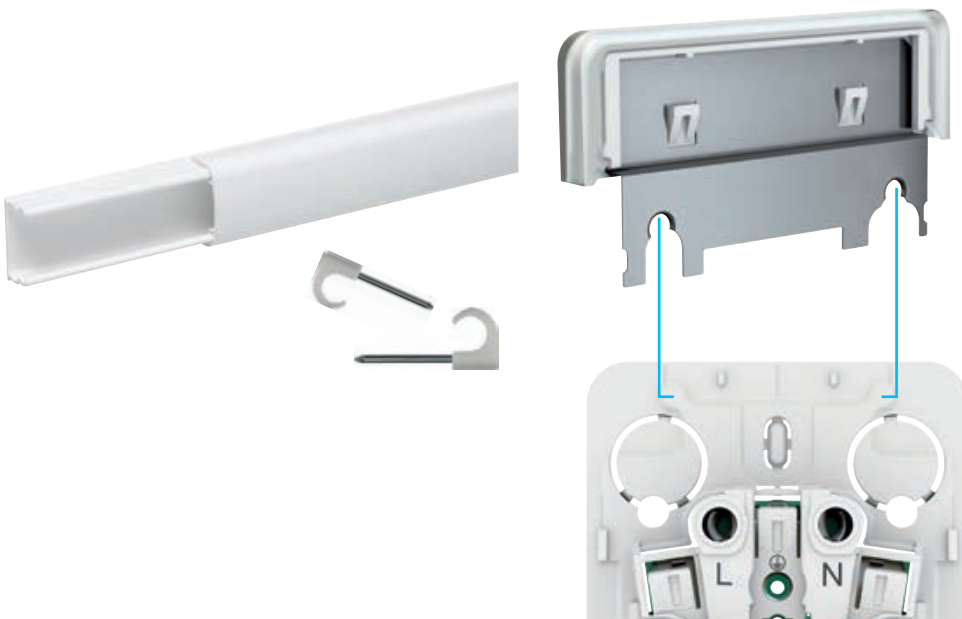


### Get everything you need for surface installation

With our installation accessories, like screws, plugs, clips and a mini trunking system, you get everything you need for an aesthetic and functional surface installation from a single supplier.

### Add a label, it's easy

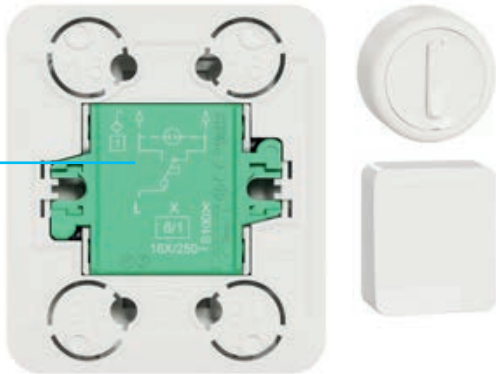
Our universal marking signs can be used with all the surface-mounted products from the Exxact range. Mounted between the wall and the bottom plate, the marking signs fit standard 9–12 mm labels like DYMO or Brother (no additional drilling or screwing is needed). The sign's transparent cover protects the label.



# Renova and Exxact Surface

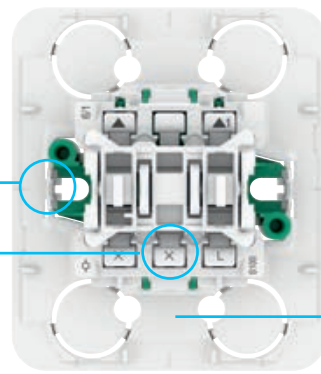
## Switch

A wiring diagram readable from the back for checking the switch type without dismantling the product



Rockers with different symbols like key, bell or occupied are available in Exxact Surface versions

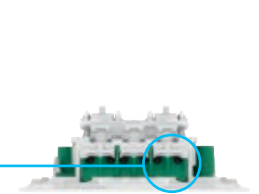
Robust and reliable fixation between the switch insert and the bottom plate, the insert is still easy to dismount if needed



Large release buttons for easy release of the wires

Increased space for wiring thanks to the rectangular shape of the switch

Conical cable entries for ease of entering the wires into the terminal



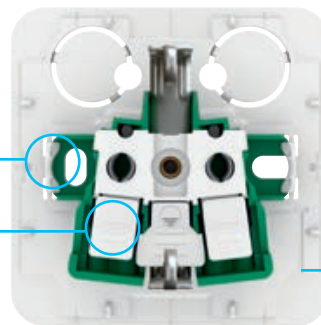
An impulse spring and LED module can be easily added

## Single socket-outlet

Increased adjustability thanks to oblong fixation holes in different directions

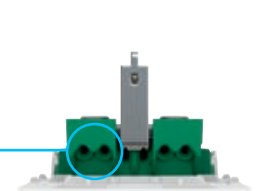


Robust and reliable fixation between the insert and the bottom plate, the outlet is still easy to dismount if needed



Large release buttons for easy release of the wires

Conical cable entries for ease of entering the wires into the terminal



A new compact insert with more space for wiring



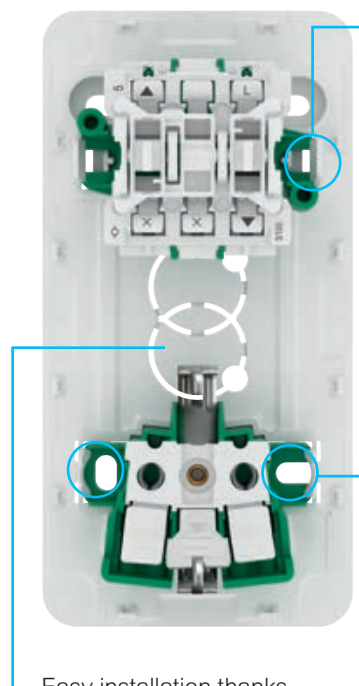


Switch with socket-outlet combinatinon

A new product configuration in the surface offer, a switch-and-socket outlet as one product



A one-piece switch-and-socket outlet for an aesthetic look on the wall



Switch insert can be easily removed from the bottom plate simplifying the wiring

Four fixation points for robust and reliable installation

Easy installation thanks to plenty of space for wiring

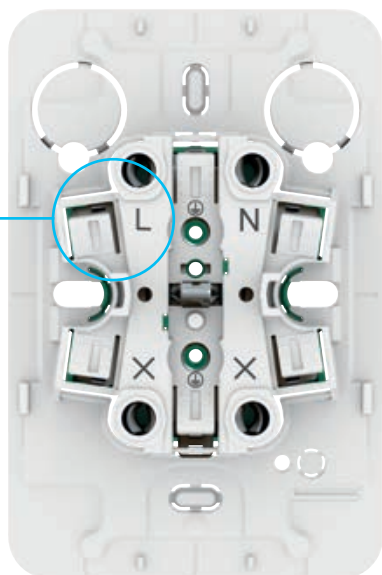


Discover [Exact Surface](#)

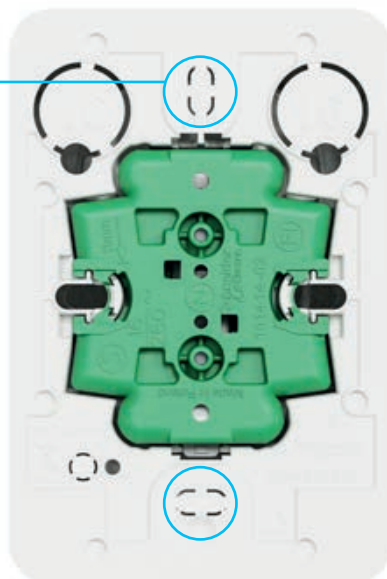
# Renova and Exxact Surface

## Double Socket-outlet

Improved markings and large release buttons for easy release of the wires



Additional fixation holes on the bottom plate for a more reliable hold to the wall

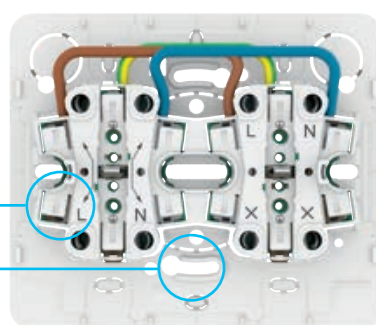


## Quadruple socket-outlet

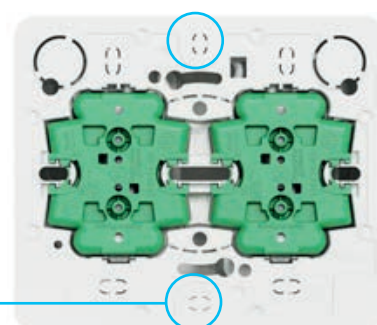
Increased distance between the outlets for larger plugs



Clear markings and large release buttons for easy release of the wires



Keyholes on the bottom plate for installation on a flush-mounted box



Additional fixation holes on the bottom plate for a more reliable hold to the wall



Discover Renova  
Surface



### Connection box

A strong design link to other functions, like switches and sockets



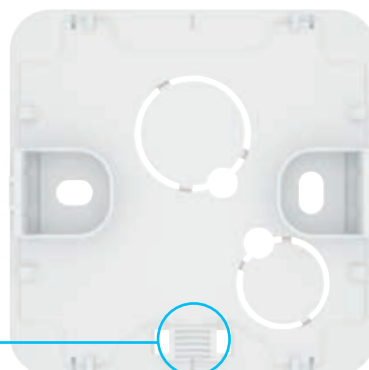
A snap-on cover, easy to mount and remove, no screws visible



Increased adjustability thanks to oblong fixation holes in different directions



The bottom plate is prepared for a strain relief with a standard cable tie



Enough space to add a dimmer puck



# Exxact Full Cover Surface-Mounted Boxes

The Exxact Full Cover Surface-Mounted Boxes provide the same level of functionality you know from the Exxact flush range, with more than 300 functions.

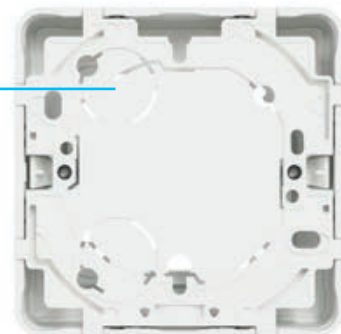


[Discover more](#)

A one-piece cover for more robustness, easier installation, and preventing dust collection – no separate flush Exxact frame needed

The module boxes for 1 to 3 products are available in low and high versions; the low version is optimized for switch inserts

Knock-outs for tubes and a wall box



Available in 1 to 3 module boxes and a 6 module matrix version

The bridges on the multi-gang versions can be removed to create a bigger opening for products

# Exxact Skirting Boxes

The skirting boxes are an extension of the Exxact Full Cover Surface-Mounted Boxes and can be used with Exxact flush inserts.



Single module version to be used with any flush Exxact function

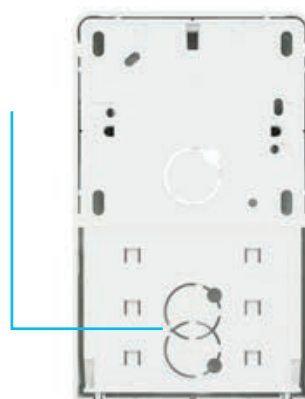


The horizontal double socket-outlet version is complete and pre-wired to simplify the installation



A dedicated skirting box for diagonal double-socket outlets

Wires can enter from any direction – bottom, sides, and back







# Exxact™ Surface Product catalogue

Switches .....	19
Socket-outlets .....	22
Connection box.....	24
Luminaire outlets .....	25
SMB full cover frames .....	26
Skirting boxes .....	27
Accessories .....	28
OptiLine Mini-trunking.....	29



**Single rocker switches**



Single rocker switches for surface installation. 16AX, 250V and with 2 loop terminals (except for 3-pole version). Screwless or screw terminals. Cables can enter from any direction, from the back through knock-outs in the bottom-plate or from any sides using the cut-out indications in the cover. Product is IP20 (also with cover off). If the cables are coming from below IP21 is reached. Possibility for additional screw fixing of the cover. Can easily be equipped with impulse spring, marking sign or red LED lamp module together with rocker with lens.



Version	Color	PU	Art.nr	E-nr
Switch 1-pole/2-way screwless [6/1]	□ White	5 pcs	WDE015521	(SE)18 202 53 (NO)14 025 02 (FI)20 005 32
Switch 1-pole/2-way screw [6/1]	● White	5 pcs	WDE015621	(SE)18 202 54 (NO)14 025 03 (FI)20 005 33
Switch 2-pole screwless [2]	□ White	5 pcs	WDE015507	(SE)18 202 55 (NO)14 025 04 (FI)20 005 34
Switch 2-pole screw [2]	● White	5 pcs	WDE015607	(SE)18 202 56 (NO)14 025 06 (FI)20 005 35
Switch 3-pole screwless [3]	□ White	5 pcs	WDE015511	(SE)18 202 57 (NO)14 025 07 (FI)20 005 36
Switch intermediate screwless [7]	● White	5 pcs	WDE015531	(SE)18 202 65 (NO)14 025 16 (FI)20 005 40

**Double rocker switches**



Double rocker switches for surface installation. 16AX, 250V. 2-circuits version with 2 loop terminals and 2+1 version with one loop terminal. Screwless or screw terminals. Cables can enter from any direction, from the back through knock-outs in the bottom-plate or from any sides using the cut-out indications in the cover. Product is IP20 (also with cover off). If the cables are coming from below IP21 is reached. Possibility for additional screw fixing of the cover. Can easily be equipped with impulse spring or marking sign.



Version	Color	PU	Art.nr	E-nr
Switch two-circuits screwless [5]	□ White	5 pcs	WDE015516	(SE)18 202 58 (NO)14 025 09 (FI)20 005 37
Switch two-circuits screw [5]	● White	5 pcs	WDE015616	(SE)18 202 59 (NO)14 025 11 (FI)20 005 38
Switch 2x two-way screwless [6+6]	□ White	5 pcs	WDE015526	(SE)18 202 63 (NO)14 025 15 (FI)20 005 39
Switch 2+1-pole screwless [2+1]	● White	5 pcs	WDE015541	(SE)18 202 69 (NO)14 025 21 (FI)20 005 07

**Triple rocker switches**



Triple rocker switch for surface installation with connection 3x 1-pole. 16AX, 250V and with 2 loop terminals. Screwless terminals. Cables can enter from any direction, from the back through knock-outs in the bottom-plate or from any sides using the cut-out indications in the cover. Product is IP20 (also with cover off). If the cables are coming from below IP21 is reached. Possibility for additional screw fixing of the cover. Can easily be equipped with impulse spring or marking sign.

Version	Color	PU	Art.nr	E-nr
Switch 3x 1-pole screwless [1+1+1]	□ White	5 pcs	WDE015536	(SE)18 202 67 (NO)14 025 17 (FI)20 005 41

**Control rocker switches with a red LED indication lamp**



Rocker switches for surface installation with a red LED indication lamp. 16AX, 250V and with 2 loop terminals. Screwless terminals. Cables can enter from any direction, from the back through knock-outs in the bottom-plate or from any sides using the cut-out indications in the cover. Product is IP20 (also with cover off). If the cables are coming from below IP21 is reached. Possibility for additional screw fixing of the cover. Can easily be equipped with impulse spring and marking sign.



Version	Color	PU	Art.nr	E-nr
Switch 1-pole/2-way-way control screwless [6/1K]	□ White	5 pcs	WDE015564	(SE)18 202 77 (NO)14 025 28 (FI)20 005 09
Switch 2-pole control screwless [2K]	■ White	5 pcs	WDE015562	(SE)18 202 73 (NO)14 025 24 (FI)20 005 08

**Control push-button switches with a red LED indication lamp**



Push-button switches for surface installation with a red LED indication lamp. 16AX, 250V and with 2 loop terminals. Screwless terminals. Cables can enter from any direction, from the back through knock-outs in the bottom-plate or from any sides using the cut-out indications in the cover. Product is IP20 (also with cover off). If the cables are coming from below IP21 is reached. Possibility for additional screw fixing of the cover. Can be used together with marking sign.

Version	Color	PU	Art.nr	E-nr
Push-button 1-pole/two-way a red LED indication lamp screwless [6T]	□ White	5 pcs	WDE015546	(SE)18 202 81 (NO)14 025 29 (FI)20 005 10
Push-button 1-pole with separate lamp circuit screwless [1TSL]	■ White	5 pcs	WDE015551	(SE)18 202 83 (NO)14 025 30 (FI)20 005 11

**Push-button switch for jalousie control**



Push-button switch for surface installation Jalousie Control and with arrows indicating up and down. 16AX, 250V and with 2 loop terminals. Screwless terminals. Cables can enter from any direction, from the back through knock-outs in the bottom-plate or from any sides using the cut-out indications in the cover. Product is IP20 (also with cover off). If the cables are coming from below IP21 is reached. Possibility for additional screw fixing of the cover. Can be used together with marking sign.

Version	Color	PU	Art.nr	E-nr
Push-button jalousie control [4T]	□ White	5 pcs	WDE015554	(SE)18 202 85 (NO)14 025 31 (FI)20 005 12

**Rockers**



Rockers with printed symbol or a transparent lens.  
 Rockers with printed symbols or text can be used together with 1-pole/two-way and intermediate versions.  
 Rocker with a transparent lens can be added together with a red LED lamp module on 1-pole/two-way and intermediate switches or as spare parts to 1-pole/two-way switches or push-buttons with indication light.  
 Rocker with occupied symbol and transparent lens to be used together with 1-pole/two-way control switch.



Version	Color	PU	Art.nr	E-nr
Rocker with "key" symbol	□ White	5 pcs	WDE015714	(SE)18 202 90 (NO)14 025 37 (FI)20 005 17
Rocker with "bell" symbol	● White	5 pcs	WDE015713	(SE)18 202 89 (NO)14 025 36 (FI)20 005 14
Rocker with lense	□ White	5 pcs	WDE015715	(SE)18 202 91 (NO)14 025 38 (FI)20 005 18
Rocker with lense and "occupied" symbol	● White	5 pcs	WDE015712	(SE)18 202 88 (NO)14 025 35 (FI)20 005 13
Rocker "BRANDDÖRRSTÄNGNING"	□ White	5 pcs	WDE015711	(SE)18 202 87

**Accessories for switches**



Accessories for switches



Version	Color	PU	Art.nr	E-nr
LED lamp module for switches 24 V	Red	10 pcs	WDE002020	(SE)18 207 26 (NO)14 100 61 (FI)21 125 29
LED lamp module for switches 230 V	Red	10 pcs	WDE002019	(SE)18 207 24 (NO)14 100 60 (FI)21 125 00
Screw for additional fixation of switches		10 pcs	183052300	(SE)18 305 23 (NO)14 014 01 (FI)21 011 23
Impulse spring for switches		10 pcs	WDE002027	(SE)18 207 22 (NO)14 100 66 (FI)21 125 34
Marking sign steel plate		10 pcs	WDE002397	(SE)18 207 37 (NO)14 100 70
Marking sign steel plate		10 pcs	WDE002797	(FI)21 125 28

**Combinations of rocker switches and single socket-outlets with SCHUKO earth**



Combination of rocker switches and single socket-outlets with SCHUKO earth for surface installation. 16AX, 250V and with 2 loop terminals. Screwless terminals. Socket-outlets provided with shutter. Cables can enter from any direction, from the back through knock-outs in the bottom-plate or from any sides using the cut-out indications in the cover. Product is IP20 (also with cover off). If the cables are coming from below IP21 is reached. Possibility for additional screw fixing of the cover. Can easily be equipped with impulse spring and marking sign.



Version	Color	PU	Art.nr	E-nr
Combination of switch 1-pole/two-way and SSO	□ White	5 pcs	WDE015571	(SE)18 203 10 (NO)14 025 39 (FI)24 001 24
Combination of switch 2P with LED indication and SSO	● White	5 pcs	WDE015573	(SE)18 203 12 (NO)14 025 43 (FI)24 004 90
Combination of switch 2-circuits and SSO	□ White	5 pcs	WDE015572	(SE)18 203 11 (NO)14 025 40 (FI)24 004 91

**Single socket-outlets with SCHUKO earth**



Single socket-outlets with SCHUKO earth for surface installation. 16A, 250V. Provided with shutter. Cables can enter from all directions, from the back through knock-outs in the bottom-plate or from any sides or corners using the cut-outs in the cover. Product is IP20 (also with cover off). If the cables are coming from below IP21 is reached. Marking sign can be used.

Version	Color	PU	Art.nr	E-nr
Single SO earthed screwless	□ White	10 pcs	WDE015576	(SE)18 202 92 (NO)15 022 55 (FI)24 004 93
Single SO earthed screw	■ White	10 pcs	WDE015676	(SE)18 202 95 (NO)15 022 56 (FI)24 004 94

**Double socket-outlets with SCHUKO earth**



Double socket-outlets with SCHUKO earth for surface installation. 16A, 250V (version with separate circuits 250V/440V). Provided with shutter. Cables can enter from any direction, from the back through knock-outs in the bottom-plate or from any sides using the cut-out indications in the cover. Product is IP20 (also with cover off). If the cables are coming from below IP21 is reached. Marking sign can be used.



Version	Color	PU	Art.nr	E-nr
Double SO earthed screwless with two loop terminals	□ White	10 pcs	WDE015596	(SE)18 203 02 (NO)15 022 59 (FI)24 004 97
Double SO earthed branching screw	■ White	10 pcs	WDE015689	(SE)18 203 03 (NO)15 022 69 (FI)24 004 98
Double SO earthed separate circuits screw (two different phases L1 and L2)	□ White	10 pcs	WDE015687	(SE)18 203 04 (FI)24 004 99
Double SO earthed on ladder sheet	■ White	5 pcs	WDE015789	(SE)18 203 05 (NO)15 022 71 (FI)24 001 16

**Double socket-outlets without earth**



Double socket-outlets without earth for surface installation. 16A, 250V. Provided with shutter. Cables can enter from all directions, from the back through knock-outs in the bottom-plate or from any sides or corners using the cut-outs in the cover. Product is IP20 (also with cover off). If the cables are coming from below IP21 is reached. Marking sign can be used.

Version	Color	PU	Art.nr	E-nr
Double SO without earth screwless with two loop terminals	□ White	10 pcs	WDE015591	(SE)18 203 00 (NO)15 022 57 (FI)24 004 95
Double SO without earth branching screw	■ White	10 pcs	WDE015691	(SE)18 203 01 (NO)15 022 58 (FI)24 004 96



### Quadruple socket-outlets with SCHUKO earth



Quadruple socket-outlets with SCHUKO earth for surface installation. 16A, 250V and with two loop terminals. Provided with shutter. Can be mounted on a wall-box. Cables can enter from all directions, from the back through knock-outs in the bottom-plate or from any sides or corners using the cut-outs in the cover. Can also be connected as two separate circuits type. Product is IP20 (also with cover off). If the cables are coming from below IP21 is reached. Marking sign can be used.



Version	Color	PU	Art.nr	E-nr
Quadruple SO earthed screwless	□ White	5 pcs	WDE015588	(SE)18 203 07 (NO)15 022 72 (FI)24 001 17
Quadruple SO earthed screw	□ White	5 pcs	WDE015688	(SE)18 203 08 (NO)15 022 73 (FI)24 001 19
Quadruple SO earthed on ladder sheet	□ White	5 pcs	WDE015788	(SE)18 203 09 (NO)15 022 74 (FI)24 001 23

### Marking sign

P118404



Fits for flush or surface mounted Exxact products. Marking sign for 9 and 12 mm labels like "DYMO", "Brother" or similar. Fulfills the requirement for marking according to EL AMA.

Version	Color	PU	Art.nr	E-nr
Marking sign steel plate		10 pcs	WDE002397	(SE)18 207 37 (NO)14 100 70
Marking sign steel plate		10 pcs	WDE002797	(FI)21 125 28

Connection box



Connection box for surface installation. 440V. Suitable for floating connection terminals. Maximum 15 in- or outgoing wires for both 1.5 mm<sup>2</sup> or 2.5 mm<sup>2</sup> wire sizes. Cables can enter from any direction, from the back through knock-outs in the bottom-plate or from any sides using the cut-out indications in the cover. Bottom-plate prepared for using a cable tie as strain-relief of soft outgoing cable. Marking sign can be used.

Version	Color	PU	Art.nr	E-nr
Connection box	□ White	5 pcs	WDE015510	(SE)14 382 24 (NO)15 022 75 (FI)24 004 92

Wiser 1-gang switch actuator



The Wiser 1-gang switch actuator that switches ohmic, inductive or capacitive loads. The actuator is controlled in different ways depending on the application.  
 On-site operation: The actuator can be controlled with a maximum of 10 mechanical push-buttons in parallel operation.  
 Room control: Within a room, the actuator can be controlled directly using a smartphone (with Wiser app) or from another Wiser device (Wiser app not required). Home control: Within a building, the actuator can be controlled via the Internet using a smartphone (with Wiser app). The Wiser Home Touch control unit is also required for this. When installing the actuator in combination with a mechanical push-button, an appropriately deep installation box must be used.  
 Nominal voltage: 220-240 V AC, 50/60 Hz  
 Nominal power: LED lamps: 200 W, Incandescent lamps: 2200 W, Halogen lamps: 2000 W (230 V), 500 VA (l.v. with dimmable wound transformer), 1050 VA (l.v. with dimmable electronic transformer)  
 Capacitive load: 10 A, 140 µF, Energy-saving lamps: 100 W, Motor: 1000 VA  
 Connection terminals: screw



Version	Color	PU	Art.nr	E-nr
	Black	1 pcs	CCT5011-0001	(SE)18 202 35 (NO)45 016 97 (FI)26 091 54

Wiser 1-gang dimming actuator



The Wiser 1-gang dimming actuator that switches and dims ohmic, inductive or capacitive loads. The actuator is controlled in different ways depending on the application.  
 On-site operation: The actuator can be controlled with a maximum of 10 mechanical push-buttons in parallel operation.  
 Room control: Within a room, the actuator can be controlled directly using a smartphone (with Wiser app) or from another Wiser device (Wiser app not required). Home control: Within a building, the actuator can be controlled via the Internet using a smartphone (with Wiser app). The Wiser Home Touch control unit is also required for this. When installing the actuator in combination with a mechanical push-button, an appropriately deep installation box must be used.  
 Nominal voltage: 220-240 V AC, 50/60 Hz  
 Nominal power: LED lamps: 5-100 VA (RC), 5-20 VA (RL), Incandescent lamps: 14-200 W, Halogen lamps: 14-150 W (230 V) 14-150 VA (l.v. with dimmable wound transformer), 14-200 VA (l.v. with dimmable electronic transformer)  
 Connection terminals: screw



Version	Color	PU	Art.nr	E-nr
	Black	1 pcs	CCT5010-0001	(SE)13 604 32 (NO)45 016 98 (FI)26 091 53

**Exxact surface-mounted ceiling outlet**



Luminaire outlet for surface mounting can be mounted directly on the ceiling or on 70/78 mm flush-mounted ceiling boxes. Inlets for cables and mini-trunking at the sides, inlets for cables and conduits at the bottom. The cable to the lamp can be led either downwards or sideways. The Luminaire outlet has an additional slot in which either an extra luminaire coupler or a dimmer module can be snapped in. With the dimmer module, the lamp can be dimmed with just a push button. The extra luminaire coupler can be used to connect a second lamp separately. Screwless connection. Removable hook. Non-losable fixing screws.  
 Dimensions: Ø 125 mm  
 Accessories: Luminaire coupler WDE005021, Universal LED dimmer module CCT99100  
 Contents: Hook, standard luminaire coupler and two M4 screws.

Version	Color	PU	Art.nr	E-nr
	□ White	5 pcs	WDE005002	(SE)18 201 96 (NO)15 131 16 (FI)11 105 35

**Exxact surface-mounted wall outlets**



Luminaire outlet for surface mounting at wall or ceilings. Cable inlets from the sides or top. Possibility to enter in with mini trunking 12x20mm from both sides. Large wiring compartment for additional cable clamps.

Version	Color	PU	Art.nr	E-nr
	□ White	5 pcs	WDE005014	(SE)18 202 03 (NO)15 131 27 (FI)11 105 40

**Luminaire plug**



Luminaire plug for mounting on lamp wires. Cable inlet from the back. With strain relief.

Version	Color	PU	Art.nr	E-nr
	□ White	10 pcs	WDE005022	(SE)18 202 08 (NO)15 131 35 (FI)11 105 45

**Universal LED dimmer module**



AC 230 V~, 50 Hz  
 For ohmic, inductive or capacitive loads, e.g. dimmable LED lamps, incandescent lamps, dimmable wound transformers or electronic transformers. Leading or trailing edge. The universal dimmer automatically recognises the connected load. Do not connect any mixed loads. The dimmer module is controlled with mechanical push-buttons in parallel operation. By installing the dimmer module in combination with a push-button a deep (60th) installation box to be used. With screw terminals.  
 Switching capacity: LED lamps: 4-100 VA (RC mode), 4-20 VA (RL-LED mode), Incandescent lamps: 5-200 W, Halogen lamps: 5-150 W (230 V), 5-200 VA (LV with dimmable wound transformer), 5-200 VA (LV with dimmable electronic transformer)  
 Neutral conductor: not required  
 Dimensions: 45 x 40 x 21 (HxWxD)



Version	Color	PU	Art.nr	E-nr
	Black	1 pcs	CCT99100	

**Full cover surface mounted boxes 1 module**



Surface box for mounting directly on the wall or on a flush wall-box. Single module available in a low and high version. Separate bottom- and cover part to simplify installation. Frame is integrated in the cover so no separate Exxact frame needed. In the high version any flush Exxact single module insert can be installed and the low version is optimized for switches. Cables can enter from any direction, from the back through knock-outs in the bottom-plate or from any sides using the cut-out indications in the cover. Possibility to add strain-relief and marking sign.

Low version: 33mm  
High version: 47mm

Version	Color	PU	Art.nr	E-nr
Full cover SMB 1M low	□ White	10 pcs	WDE015751	(SE)18 203 14 (NO)14 025 47 (FI)24 004 86
Full cover SMB 1M high	■ White	10 pcs	WDE015761	(SE)18 203 13 (NO)14 025 46 (FI)24 004 85

**Full cover surface mounted boxes 2 module**



Surface box for mounting directly on the wall or on a flush wall-box. Double module available in a low and high version. Separate bottom- and cover part to simplify installation. Frame is integrated in the cover so no separate Exxact frame needed. Bridge is removable to create a larger opening to fit functions like 2x SCHUKO socket-outlets. In the high version any flush Exxact single or double module insert can be installed and the low version is optimized for switches. Cables can enter from any direction, from the back through knock-outs in the bottom-plate or from any sides using the cut-out indications in the cover. Possibility to add separation wall, strain-relief and marking sign.

Low version: 33mm  
High version: 47mm

Version	Color	PU	Art.nr	E-nr
Full cover SMB 2M low	□ White	5 pcs	WDE015752	(SE)18 203 20 (NO)14 025 50 (FI)24 004 88
Full cover SMB 2M high	■ White	5 pcs	WDE015762	(SE)18 203 15 (NO)14 025 48 (FI)24 004 87

**Full cover surface mounted boxes 3 module**



Surface box for mounting directly on the wall or on a flush wall-box. Triple module available in a low and high version. Separate bottom- and cover part to simplify installation. Frame is integrated in the cover so no separate Exxact frame needed. Bridges are removable to create a larger opening to fit functions like 3x SCHUKO socket-outlets. In the high version any flush Exxact single or double module insert can be installed and the low version is optimized for switches. Cables can enter from any direction, from the back through knock-outs in the bottom-plate or from any sides using the cut-out indications in the cover. Possibility to add separation wall, strain-relief and marking sign.

Low version: 33mm  
High version: 47mm

Version	Color	PU	Art.nr	E-nr
Full cover SMB 3M low	□ White	5 pcs	WDE015753	(SE)18 203 29 (NO)14 025 52 (FI)24 001 27
Full cover SMB 3M high	■ White	5 pcs	WDE015763	(SE)18 203 25 (NO)14 025 51 (FI)24 004 89

**Full cover multimedia surface mounted box 6 module**



Surface box for mounting directly on the wall or on a flush wall-box. Matrix 6 module in high version 47mm. Separate bottom and cover part to simplify installation. Frame is integrated in the cover so no separate Exxact frame needed. Bridges are removable to create a larger opening to fit functions like SCHUKO socket-outlets. Any flush Exxact single or double module insert can be installed. Cables can enter from any direction, from the back through knock-outs in the bottom-plate or from any sides using the cut-out indications in the cover. Possibility to add separation walls, strain-relief and marking sign.

Version	Color	PU	Art.nr	E-nr
Multimedia SMB 6M	□ White	2 pcs	WDE015766	(SE)18 203 30 (NO)14 025 53 (FI)24 001 29

**Accessories surface mounted boxes**

P118378



Separation wall to divide the connection space to allow mixing data and power (250V) in the same surface mounted box. Fit to 2-, 3- and 6 module versions.

Strain-relief for soft outgoing cable that fits to any surface mounted box version.

P118377



Version	Color	PU	Art.nr	E-nr
Separation wall		10 pcs	WDE002932	(SE)18 207 04 (NO)14 810 60 (FI)24 180 03
Strain-relief		10 pcs	WDE002930	(SE)18 207 02 (NO)12 220 04 (FI)24 180 02



Skirting box single module



Skirting box to be mounted on the wall down at floor level. Knock-outs for conduits coming from the floor or cut-out indications for skirting coming along the wall. Four fixation points to mount directly on the wall. Frame is integrated so no separate Exxact frame needed. Any flush Exxact single module insert can be installed. Bottom-plate prepared for using a cable tie as strain-relief. Product is IP20. Marking sign can be used.

Version	Color	PU	Art.nr	E-nr
Skirting box single module	□ White	5 pcs	WDE015741	(SE)18 203 34 (NO)14 025 54 (FI)20 005 23

Flush Exxact single inserts

P117986



Examples of suitable flush single module inserts that can be used together with the single module skirting box.



Version	Color	PU	Art.nr	E-nr
Single SO earthed screwless	□ White	10 pcs	WDE002176	(SE)18 202 76 (NO)
Single SO earthed screwless	■ White	10 pcs	WDE002576	(FI)25 301 01
Single SO earthed screw	□ White	10 pcs	WDE002276	(SE)18 202 74 (NO)15 021 02 (FI)25 301 05
Triple Euro outlet screwless	■ White	5 pcs	WDE002279	(SE)18 202 39 (NO)15 021 74
Triple Euro outlet screwless	□ White	5 pcs	WDE002679	(FI)25 301 91
LexCom centre plate with 2 dust lids	■ White	1 pcs	WDE002434	(SE)51 026 67 (NO)69 507 10
LexCom centre plate with 2 dust lids	□ White	1 pcs	WDE002834	(FI)72 331 01
Keystone centre plate angled	■ White	1 pcs	WDE002423	(SE)51 025 57 (NO)69 507 38
Keystone centre plate angled	□ White	1 pcs	WDE002823	(FI)72 330 08

Skirting box for diagonal double socket-outlet



Skirting box to be mounted on the wall down at floor level. Knock-outs for conduits coming from the floor or cut-out indications for skirting coming along the wall. Four fixation points to mount directly on the wall. Frame is integrated so no separate Exxact frame needed. Flush Exxact diagonal double socket-outlet can be installed. Bottom-plate prepared for using a cable tie as strain-relief. Product is IP20. Marking sign can be used.

Version	Color	PU	Art.nr	E-nr
Skirting box for diagonal double socket-outlet	□ White	5 pcs	WDE015743	(SE)18 203 37 (NO)14 025 56 (FI)20 005 24

Flush Exxact diagonal double socket-outlet inserts

P118012



Diagonal double socket-outlet inserts with SCHUKO earth. 16A, 250V. Screwless or Screw terminals. Provided with shutter. Fits with the Skirting box for diagonal double socket-outlets.

Version	Color	PU	Art.nr	E-nr
Diagonal DSO earthed screwless	□ White	5 pcs	WDE002586	(SE)18 203 68 (FI)25 301 21
Diagonal DSO earthed screw	■ White	5 pcs	WDE002686	(NO)15 022 16 (FI)25 301 31

Skirting box with horizontal double socket-outlet



Skirting box complete with horizontal double socket-outlet to be mounted on the wall down at floor level. Insert is pre-wired to simplify the installation. Screw terminals. Knock-outs for conduits coming from the floor or cut-out indications for skirting coming along the wall. Four fixation points to mount directly on the wall. Frame is integrated so no separate Exxact frame needed. Bottom-plate prepared for using a cable tie as strain-relief. Product is IP20. Marking sign can be used.

Version	Color	PU	Art.nr	E-nr
Skirting box incl DSO earthed	□ White	5 pcs	WDE015742	(SE)18 203 35 (NO)14 025 55 (FI)24 001 33

**Cut-out plier**



Plier to make openings in the cover for in- and outgoing cables. Can cut a thickness of up to 3mm. Suitable to be used on any surface mounted product in Exxact, Renova etc.



P112387

Version	Color	PU	Art.nr	E-nr
Cut-out plier Ø 8 mm	Green / Steel	1 pcs	WDE015731	(SE)16 621 58 (NO)14 025 44 (FI)64 026 18
Cut-out plier Ø 10.5 mm	Green / Black	1 pcs	IMT36108	(SE)16 200 02 (NO)88 158 77 (FI)64 026 10

**Universal level tool for switches and socket-outlets**



Level tool is to simplify the mounting of any switch or socket-outlet straight on the wall. Can be used for both flush and surface mounted switches, single or double socket-outlets. The level tool is attached to the insert by tilting the holder and to use either the two pins for socket-outlet or the rocker interface for the switches. Adjust the insert so that the leveller is okay and tighten the screws to fix the insert. The tool can also be used to rotate the adjustable ring on the MultiFix wall-boxes.

Version	Color	PU	Art.nr	E-nr
Universal level tool Sw + SO	Green	10 pcs	WDE015733	(SE)16 356 62 (NO)14 025 45 (FI)64 026 19

**Clips**



P125832

Nail clips used for fixation of Surface mounted round or flat cables of various dimensions on wood, concrete, plasterboard etc.

Version	Color	PU	Art.nr	E-nr
Clips TC 7-10	White	100 pcs	2033017	(SE)15 001 66 (FI)13 107 42
Clips TC 7-10	White	100 pcs	2032019	
Clips TC 8-12	White	100 pcs	2041200	(SE)15 001 96 (NO)12 473 28 (FI)13 105 12

## Mini-trunking

Mini-trunking including base profile with one, two or three compartments and snap-fitted cover. Partition walls can be removed. With pre-punched mounting holes at 100 mm centres. Suitable for power and low voltage cables. Approved for single-insulated cable if non-metallic fastener is used. Supplied in 2.1 m lengths. Material: PC/ABS (halogen-free).

P83321



Version	Color	Dimensions A/B/C (mm)	PU	Art.nr	E-nr
With one compartment	□ White	20/12/2100	42 m	ISM14130P	(SE)11 696 01

P83322



With one compartment	□ White	20/18/2100	42 m	ISM14330P	(SE)11 696 05
----------------------	---------	------------	------	-----------	---------------

P83324



With two compartments	□ White	35/18/2100	42 m	ISM14430P	(SE)11 696 07
-----------------------	---------	------------	------	-----------	---------------

P83326



With three compartments	□ White	60/25/2100	21 m	ISM14630P	(SE)11 696 11
-------------------------	---------	------------	------	-----------	---------------

## Mini-trunking with bonding tape

Mini-trunking including base profile with one compartment and snap-fitted cover. Partition walls can be removed. With pre-punched mounting holes at 100 mm centres. Provided with bonding tape on the back of the base profile. Not approved for power cabling if the trunking is only fixed to the wall by the tape. If the fixing by tape is combined with screw-fixing, power cables may be installed. Approved for single-insulated cable if non-metallic fastener is used for the combined fixing. Supplied in 2.1 m lengths. Material: PC/ABS (halogen-free)

P83321



Version	Color	Dimensions A/B/C (mm)	PU	Art.nr	E-nr
With one compartment	□ White	20/12/2100	42 m	ISM14135P	(SE)11 696 35

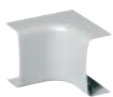
P83322



With one compartment	□ White	20/18/2100	42 m	ISM14335P	(SE)11 696 37
----------------------	---------	------------	------	-----------	---------------

## Internal corner

P83921



Internal corner to be snap-fitted onto the mini-trunking base. Material: PC/ABS (halogen-free).

Version	Color	Dimensions A/B/C (mm)	PU	Art.nr	E-nr
For 12x20 mini-trunking	□ White	20/40/40	10	ISM14101P	(SE)11 696 40
For 18x20 mini-trunking	□ White	20/45/45	10	ISM14301P	(SE)11 696 43
For 18x35 mini-trunking	□ White	37/45/45	10	ISM14401P	(SE)11 696 45
For 25x60 mini-trunking	□ White	62/53/53	10	ISM14601P	(SE)11 696 48

## External corner

P83922



External corner to be snap-fitted onto the mini-trunking base. Material: PC/ABS (halogen-free).

Version	Color	Dimensions A/B/C (mm)	PU	Art.nr	E-nr
For 12x20 mini-trunking	□ White	22/36/36	10	ISM14102P	(SE)11 696 50
For 18x20 mini-trunking	□ White	22/42/42	10	ISM14302P	(SE)11 696 53
For 18x35 mini-trunking	□ White	37/42/42	10	ISM14402P	(SE)11 696 55
For 25x60 mini-trunking	□ White	62/49/49	10	ISM14602P	(SE)11 696 58

## Bend, 90°

P83921



90 degree bend to be used in junctions between horizontal and vertical applications. To be snap-fitted onto the mini-trunking base. Material: PC/ABS (halogen-free).

Version	Color	Dimensions A/B/C (mm)	PU	Art.nr	E-nr
For 12x20 mini-trunking	□ White	12/40/40	10	ISM14109P	(SE)11 696 60
For 18x20 mini-trunking	□ White	18/40/40	10	ISM14309P	(SE)11 696 63
For 18x35 mini-trunking	□ White	18/55/55	10	ISM14409P	(SE)11 696 65
For 25x60 mini-trunking	□ White	24/80/80	10	ISM14609P	(SE)11 696 68

## Stop end

P83925



Stop end to be snap-fitted at the end of the mini-trunking base. Material: PC/ABS (halogen-free).

Version	Color	Dimensions A/B/C (mm)	PU	Art.nr	E-nr
For 12x20 mini-trunking	□ White	22/15/13	10	ISM14104P	(SE)11 696 90
For 18x20 mini-trunking	□ White	22/15/19	10	ISM14304P	(SE)11 696 93
For 18x35 mini-trunking	□ White	37/15/19	10	ISM14404P	(SE)11 696 95
For 25x60 mini-trunking	□ White	62/17/26	10	ISM14604P	(SE)11 696 98

## Joint cover piece

P83926



Joint cover piece to cover joints between mini-trunking covers. To be snap-fitted onto the mini-trunking base. Material: PC/ABS (halogen-free).

Version	Color	Dimensions A/B/C (mm)	PU	Art.nr	E-nr
For 12x20 mini-trunking	□ White	22/22/13	10	ISM14105P	(SE)11 696 80
For 18x20 mini-trunking	□ White	22/22/19	10	ISM14305P	(SE)11 696 83
For 18x35 mini-trunking	□ White	37/22/19	10	ISM14405P	(SE)11 696 85
For 25x60 mini-trunking	□ White	62/22/26	10	ISM14605P	(SE)11 696 88

## T-piece

P83923



T-piece to be used in T-junctions between mini-trunking of the same size. To be snap-fitted onto the mini-trunking base. Material: PC/ABS (halogen-free).

Version	Color	Dimensions A/B/C (mm)	PU	Art.nr	E-nr
For 12x20 mini-trunking	□ White	12/40/58	10	ISM14106P	(SE)11 696 70
For 18x20 mini-trunking	□ White	18/40/58	10	ISM14306P	(SE)11 696 73
For 18x35 mini-trunking	□ White	18/55/73	10	ISM14406P	(SE)11 696 75
For 25x60 mini-trunking	□ White	24/80/98	10	ISM14606P	(SE)11 696 78

## Branching piece

P83927



Branching piece to be used in T-junctions between mini-trunking of different sizes. To be snap-fitted onto the mini-trunking base. Material: PC/ABS (halogen-free).

Version	Color	Dimensions A/B/C (mm)	PU	Art.nr	E-nr
For 12x20–18x35 mini-trunking	□ White	58/40/17	10	ISM14407P	(SE)11 696 31
For 18x35–25x60 mini-trunking	□ White	79/65/24	10	ISM14607P	(SE)11 696 33

## DCL branching piece

P147134



Branching piece for DCL to be used in T-junctions between mini-trunking and DCL trunking of sizes 12x20 or 12x30 mm. To be snap-fitted onto the mini-trunking base. Material: PC/ABS (halogen-free).

Version	Color	Dimensions A/B/C (mm)	PU	Art.nr	E-nr
For 12x20 mini-trunking with entry 12x20	□ White	23/17/57	5	ISM14191P	(SE)11 591 87

## Installation screw with cup washer

P89119



Installation screw with cross-slotted head type PH2. Sharp point, fully threaded. High pitch for quick mounting. Provided with a cup washer for screw-head protection. To be used when installing single-insulated wire in the trunking. Material: Hardened steel, electroplated, and PP.

Version	Color	Dimensions D/L (mm)	PU	Art.nr	E-nr
FT-IS5x32	—	Ø5/32	100	4020210	(SE)15 349 09 (NO)13 940 10 (FI)13 101 13







# Renova Surface Product catalogue

Switches .....	33
Socket-outlets .....	34
Connection boxes.....	35
Accessories .....	36

Single rocker switches



Single rocker switches for surface installation. 16AX, 250V and with 2 loop terminals. Screwless terminals. Cables can enter from any direction, from the back through knock-outs in the bottom-plate or from any sides using the cut-out indications in the cover. Product is IP20 (also with cover off). If the cables are coming from below IP21 is reached. Possibility for additional screw fixing of the cover. Can easily be equipped with impulse spring.

Version	Color	PU	Art.nr	E-nr
Switch 1-pole/two-way [6/1]	□ White	5 pcs	WDE015821	(SE)18 203 38 (NO)14 025 57 (FI)20 005 25
Switch 2-pole [2]	□ White	5 pcs	WDE015807	(SE)18 203 40 (NO)14 025 61 (FI)20 005 27
Switch intermediate [7]	□ White	5 pcs	WDE015831	(SE)18 203 48 (NO)14 025 67 (FI)20 005 20
Switch 1-pole/two-way [6/1]	■ Black	5 pcs	WDE015921	(SE)18 203 39 (NO)14 025 60 (FI)20 005 26
Switch 2-pole [2]	■ Black	5 pcs	WDE015907	(SE)18 203 41 (NO)14 025 62 (FI)20 005 28
Switch intermediate [7]	■ Black	5 pcs	WDE015931	(SE)18 203 49 (NO)14 025 68 (FI)20 005 21

Double rocker switches



Double rocker switches for surface installation. 16AX, 250V. 2-circuits version with 2 loop terminals. Screwless terminals. Cables can enter from any direction, from the back through knock-outs in the bottom-plate or from any sides using the cut-out indications in the cover. Product is IP20 (also with cover off). If the cables are coming from below IP21 is reached. Possibility for additional screw fixing of the cover. Can easily be equipped with impulse spring.

Version	Color	PU	Art.nr	E-nr
Switch 2-circuits [5]	□ White	5 pcs	WDE015816	(SE)18 203 43 (NO)14 025 63 (FI)20 005 29
Switch 2x two-way [6+6]	□ White	5 pcs	WDE015826	(SE)18 203 46 (NO)14 025 65 (FI)20 005 31
Switch 2-circuits [5]	■ Black	5 pcs	WDE015916	(SE)18 203 44 (NO)14 025 64 (FI)20 005 30
Switch 2x two-way [6+6]	■ Black	5 pcs	WDE015926	(SE)18 203 47 (NO)14 025 66 (FI)20 005 19

Accessories for switches



Accessories for switches



Version	Color	PU	Art.nr	E-nr
Screw for additional fixation of switches		10 pcs	183052300	(SE)18 305 23 (NO)14 014 01 (FI)21 011 23
Impulse spring for switches		10 pcs	WDE002027	(SE)18 207 22 (NO)14 100 66 (FI)21 125 34

Single socket-outlets



Single socket-outlets with SCHUKO earth for surface installation. 16A, 250V. Provided with shutter. Offered with screwless or screw terminals. Cables can enter from any direction, from the back through knock-outs in the bottom-plate or from any sides using the cut-out indications in the cover. Product is IP20 (also with cover off). If the cables are coming from below IP21 is reached.

Version	Color	PU	Art.nr	E-nr
Single SO earthed screwless	□ White	10 pcs	WDE015876	(SE)18 203 50 (NO)15 022 76 (FI)24 001 34
Single SO earthed screw	□ White	10 pcs	WDE015877	(SE)18 203 51 (NO)15 022 77 (FI)24 001 25
Single SO earthed screwless	■ Black	10 pcs	WDE015976	(SE)18 203 52 (NO)15 022 78 (FI)24 001 26
Single SO earthed screw	■ Black	10 pcs	WDE015977	(SE)18 203 53 (NO)15 022 79 (FI)24 004 84

Double socket-outlets



Double socket-outlets with SCHUKO earth for surface installation. 16A, 250V. Provided with shutter. Screwless versions are with 2 loop terminals and screw versions are of branching type (no loop terminals). Cables can enter from any direction, from the back through knock-outs in the bottom-plate or from any sides using the cut-out indications in the cover. Product is IP20 (also with cover off). If the cables are coming from below IP21 is reached.

Version	Color	PU	Art.nr	E-nr
Double SO earthed screwless with loop terminals	□ White	10 pcs	WDE015896	(SE)18 203 55 (NO)15 022 80 (FI)24 004 80
Double SO earthed branching screw	□ White	10 pcs	WDE015897	(SE)18 203 56 (NO)15 022 81 (FI)24 004 81
Double SO earthed screwless with loop terminals	■ Black	10 pcs	WDE015996	(SE)18 203 58 (NO)15 022 82 (FI)24 004 82
Double SO earthed branching screw	■ Black	10 pcs	WDE015997	(SE)18 203 59 (NO)15 022 83 (FI)24 004 83

## Connection boxes



Connection boxes for surface installation. 440V. Suitable for floating connection terminals. Maximum 12 in- or outgoing wires for both 1.5 mm<sup>2</sup> or 2.5 mm<sup>2</sup> wire sizes. Cables can enter from any direction, from the back through knock-outs in the bottom-plate or from any sides using the cut-out indications in the cover.

Version	Color	PU	Art.nr	E-nr
Connection box	□ White	5 pcs	WDE015810	(SE)14 382 25 (NO)14 025 70 (FI)24 004 78
Connection box	■ Black	5 pcs	WDE015910	(SE)14 382 26 (NO)14 025 74 (FI)24 004 79



**Cut-out plier**



Plier to make openings in the cover for in- and outgoing cables. Can cut a thickness of up to 3mm. Suitable to be used on any surface mounted product in Exxact, Renova etc.



P112387

Version	Color	PU	Art.nr	E-nr
Cut-out plier Ø 8 mm	Green / Steel	1 pcs	WDE015731	(SE)16 621 58 (NO)14 025 44 (FI)64 026 18
Cut-out plier Ø 10.5 mm	Green / Black	1 pcs	IMT36108	(SE)16 200 02 (NO)88 158 77 (FI)64 026 10

**Universal level tool for switches and socket-outlets**



Level tool to simplify the mounting of any switch or socket-outlet straight on the wall. Can be used for both flush and surface mounted switches, single or double socket-outlets. The level tool is attached to the insert by tilting the holder and to use either the two pins for socket-outlet or the rocker interface for the switches. Adjust the insert so that the leveller is okay and tighten the screws to fix the insert. The tool can also be used to rotate the adjustable ring on the MultiFix wall-boxes.

Version	Color	PU	Art.nr	E-nr
Universal level tool Sw + SO	Green	10 pcs	WDE015733	(SE)16 356 62 (NO)14 025 45 (FI)64 026 19

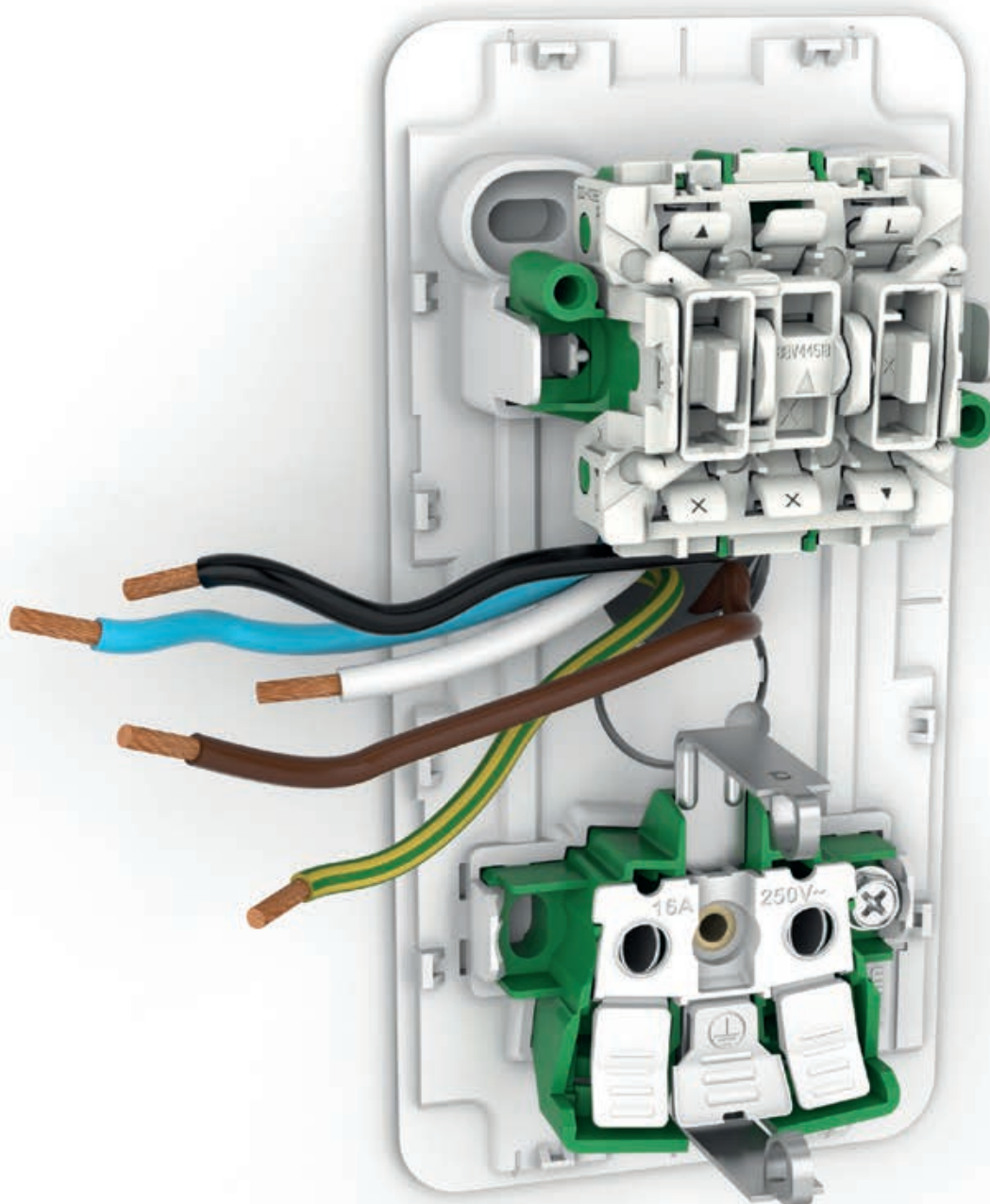
**Clips**



P125832

Nail clips used for fixation of Surface mounted round or flat cables of various dimensions on wood, concrete, plasterboard etc.

Version	Color	PU	Art.nr	E-nr
Clips TC 7-10	White	100 pcs	2033017	(SE)15 001 66 (FI)13 107 42
Clips TC 7-10	White	100 pcs	2032019	
Clips TC 8-12	White	100 pcs	2041200	(SE)15 001 96 (NO)12 473 28 (FI)13 105 12





# Exxact™ Surface Renova Surface Technical information

<b>Exxact Surface</b>	
Switches .....	39
Socket-outlets.....	41
Full cover surface mounted boxes.....	45
Skirting boxes .....	46
<b>Renova Surface</b>	
Switches .....	47
Socket-outlets.....	49
<b>Exxact Surface</b>	
Dimensions.....	51
<b>Renova Surface</b>	
Dimensions.....	54
Index.....	55

Switches



Function	Color	PU	Art.nr	E-nr
SWITCH 1-POLE/2-WAY SCREWLESS [6/1]	WHITE	5 PCS	WDE015521	(SE)18 202 53 (NO)14 025 02 (FI)20 005 32
SWITCH 1-POLE/2-WAY SCREW [6/1]	WHITE	5 PCS	WDE015621	(SE)18 202 54 (NO)14 025 03 (FI)20 005 33
SWITCH 2-POLE SCREWLESS [2]	WHITE	5 PCS	WDE015507	(SE)18 202 55 (NO)14 025 04 (FI)20 005 34
SWITCH 2-POLE SCREW [2]	WHITE	5 PCS	WDE015607	(SE)18 202 56 (NO)14 025 06 (FI)20 005 35
SWITCH 3-POLE SCREWLESS [3]	WHITE	5 PCS	WDE015511	(SE)18 202 57 (NO)14 025 07 (FI)20 005 36
SWITCH INTERMEDIATE SCREWLESS [7]	WHITE	5 PCS	WDE015531	(SE)18 202 65 (NO)14 025 16 (FI)20 005 40
SWITCH TWO-CIRCUITS SCREWLESS [5]	WHITE	5 PCS	WDE015516	(SE)18 202 58 (NO)14 025 09 (FI)20 005 37
SWITCH TWO-CIRCUITS SCREW [5]	WHITE	5 PCS	WDE015616	(SE)18 202 59 (NO)14 025 11 (FI)20 005 38
SWITCH 2x TWO-WAY SCREWLESS [6+6]	WHITE	5 PCS	WDE015526	(SE)18 202 63 (NO)14 025 15 (FI)20 005 39
SWITCH 2+1-POLE SCREWLESS [2+1]	WHITE	5 PCS	WDE015541	(SE)18 202 69 (NO)14 025 21 (FI)20 005 07
SWITCH 3x 1-POLE SCREWLESS [1+1+1]	WHITE	5 PCS	WDE015536	(SE)18 202 67 (NO)14 025 17 (FI)20 005 41
SWITCH 1-POLE/2-WAY-WAY CONTROL SCREWLESS [6/1K]	WHITE	5 PCS	WDE015564	(SE)18 202 77 (NO)14 025 28 (FI)20 005 09
SWITCH 2-POLE CONTROL SCREWLESS [2K]	WHITE	5 PCS	WDE015562	(SE)18 202 73 (NO)14 025 24 (FI)20 005 08
PUSH-BUTTON 1-POLE/TWO-WAY A RED LED INDICATION LAMP SCREWLESS [6T]	WHITE	5 PCS	WDE015546	(SE)18 202 81 (NO)14 025 29 (FI)20 005 10
PUSH-BUTTON 1-POLE WITH SEPARATE LAMP CIRCUIT SCREWLESS [1TSL]	WHITE	5 PCS	WDE015551	(SE)18 202 83 (NO)14 025 30 (FI)20 005 11
PUSH-BUTTON JALOUSIE CONTROL [4T]	WHITE	5 PCS	WDE015554	(SE)18 202 85 (NO)14 025 31 (FI)20 005 12

Technical data

Product type	Exxact rocker switch
Rated current	16AX (connection 3, 400V, 10A)
Rated voltage	250V~
Connection terminals	Screwless/ Screw (depends on version)
No. of loop terminals	2 (1 on 2+1 version, 0 on 3-pole and 2x two-way versions)
Cable cross section	1x1.5 mm <sup>2</sup> to 2x2.5 mm <sup>2</sup> solid and solid stranded wires
Lamp	Possibility to add a red LED indication light (0.1mA)
Mounting	Surface
Material	Thermoplast - bottomplate PC+10% GF, cover PC, rocker PC/ABS
Colour	White RAL 9003 (close to NCS 0500-N)
Length	75 mm
Width	65 mm
Height	27 mm
Use temperature	-15 to +50°C

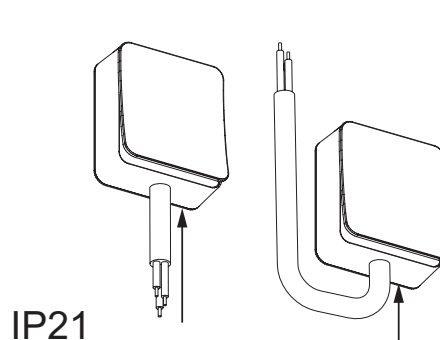
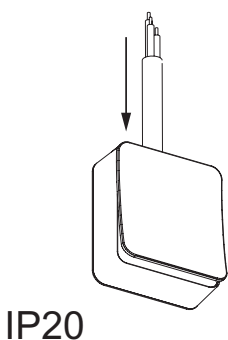
Complementary

Standards	EN 60 669-1
Certification	S, N, FI, CE
IP degree of protection	IP20 (also with visual parts removed). IP21 if the cable is coming from below

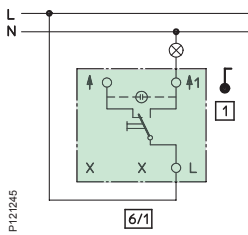
Others:

Additional info	Possibility for additional screw fixation of cover. Impulse spring can easily be added to get push-button functionality. Easy removable knock-outs for tubes. Rockers with symbols are also available.
-----------------	---

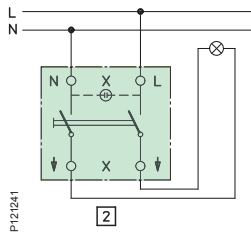
IP classification



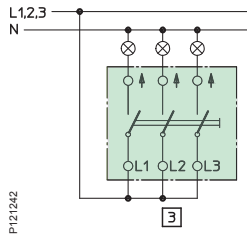
Wiring diagrams for switches



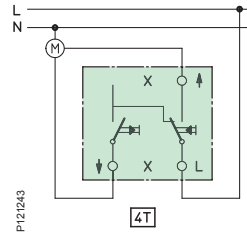
Switch 1-pole/2-way



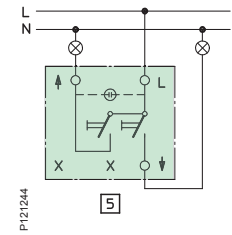
Switch 2-pole



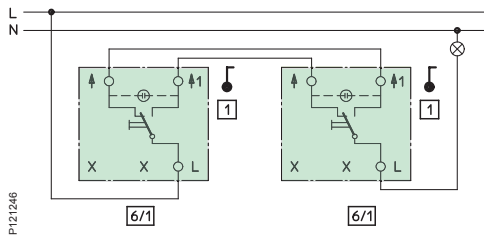
3-pol



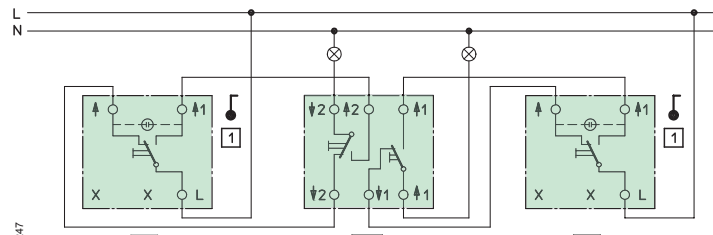
Push-button jalousie control



Switch two-circuits control



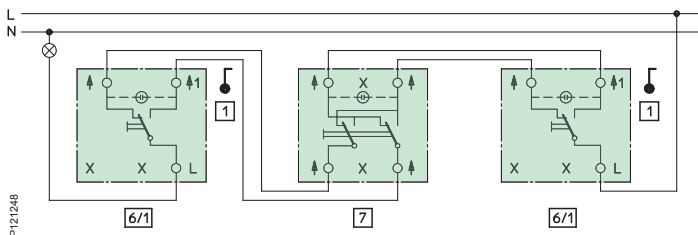
Switch 1-pole/2-way



Switch 1-pole/2-way

Switch 2x two-way

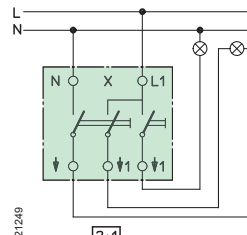
Switch 1-pole/2-way



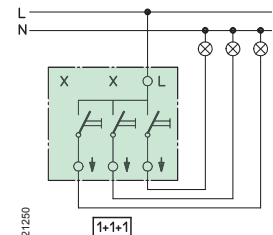
Switch 1-pole/2-way

Switch intermediate

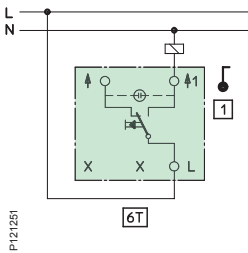
Switch 1-pole/2-way



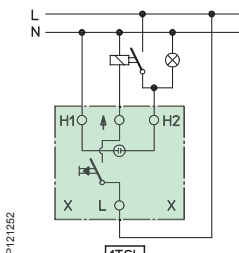
2 + 1-pol



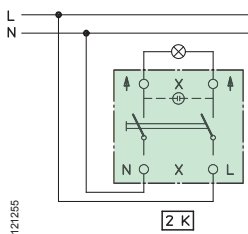
3 x 1-pol



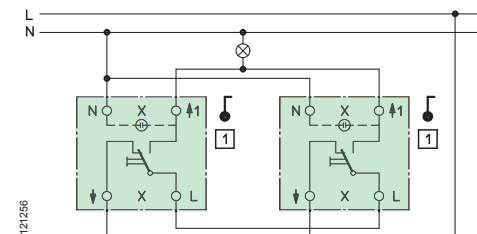
Push-Button 1-pole/  
two-way with indication  
lamp



Push-Button 1-pole with  
separate lamp circuit



Switch 2-pole control



Switch 1-pole/2-way control



## Double socket-outlets



Function	Color	PU	Art.nr	E-nr
DOUBLE SO EARTHED SCREWLESS WITH TWO LOOP TERMINALS	WHITE	10 PCS	WDE015596	(SE)18 203 02 (NO)15 022 59 (FI)24 004 97
DOUBLE SO EARTHED BRANCHING SCREW	WHITE	10 PCS	WDE015689	(SE)18 203 03 (NO)15 022 69 (FI)24 004 98
DOUBLE SO EARTHED SEPARATE CIRCUITS SCREW (TWO DIFFERENT PHASES L1 AND L2)	WHITE	10 PCS	WDE015687	(SE)18 203 04 (FI)24 004 99
DOUBLE SO EARTHED ON LADDER SHEET	WHITE	5 PCS	WDE015789	(SE)18 203 05 (NO)15 022 71 (FI)24 001 16
DOUBLE SO WITHOUT EARTH SCREWLESS WITH TWO LOOP TERMINALS	WHITE	10 PCS	WDE015591	(SE)18 203 00 (NO)15 022 57 (FI)24 004 95
DOUBLE SO WITHOUT EARTH BRANCHING SCREW	WHITE	10 PCS	WDE015691	(SE)18 203 01 (NO)15 022 58 (FI)24 004 96

### Technical data

Product type	Exxact double socket-outlet
Mounting	Surface
Function	Side earth / Without earth depending on the version
Rated current	16A
Rated voltage	250V~
Connection terminals	Screwless / Screw depending on the version
No. of loop terminals	2: depending on the version
Cable cross section	1x1.5mm <sup>2</sup> to 2x2.5mm <sup>2</sup> solid and solid stranded wires
Material	Thermoplast - bottomplate PC+10% GF, cover PC
Colour	White RAL 9003 (close to NCS 0500-N)
Length	98 mm
Width	65 mm
Height	42 mm
Use temperature	-15 to +50°C

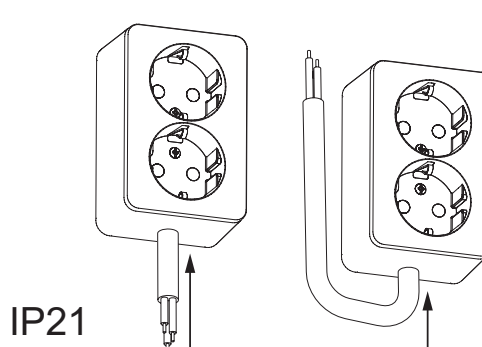
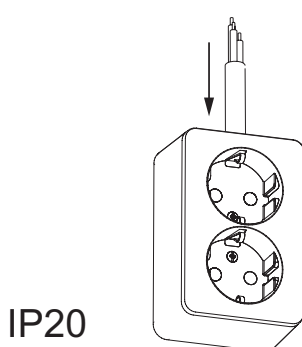
### Complementary

Standards	IEC 60 884-1 NEK 502
Certification	S, N, FI, CE
IP degree of protection	IP20 (also with visual parts removed). IP21 if the cable is coming from below

### Others:

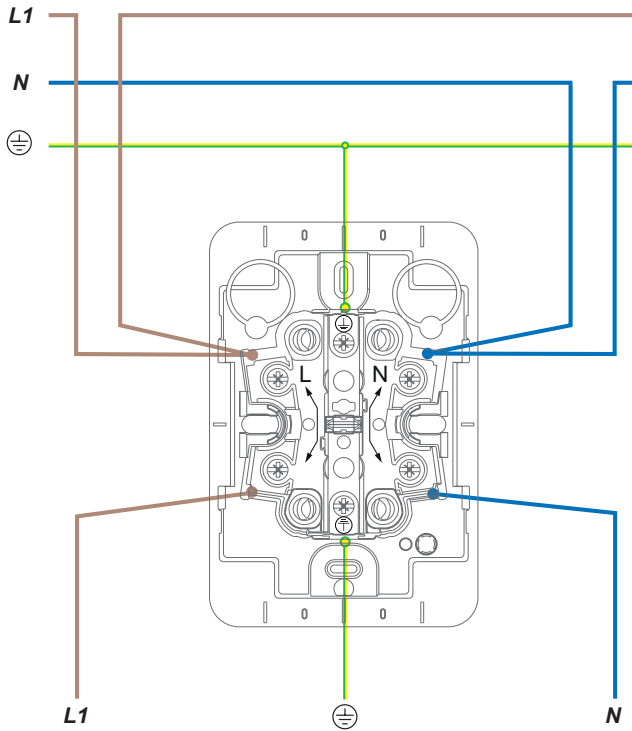
Additional info	Easy removable knock-outs for tubes Additional fixation points on bottomplate Marking sign can be added
-----------------	---

## IP classification

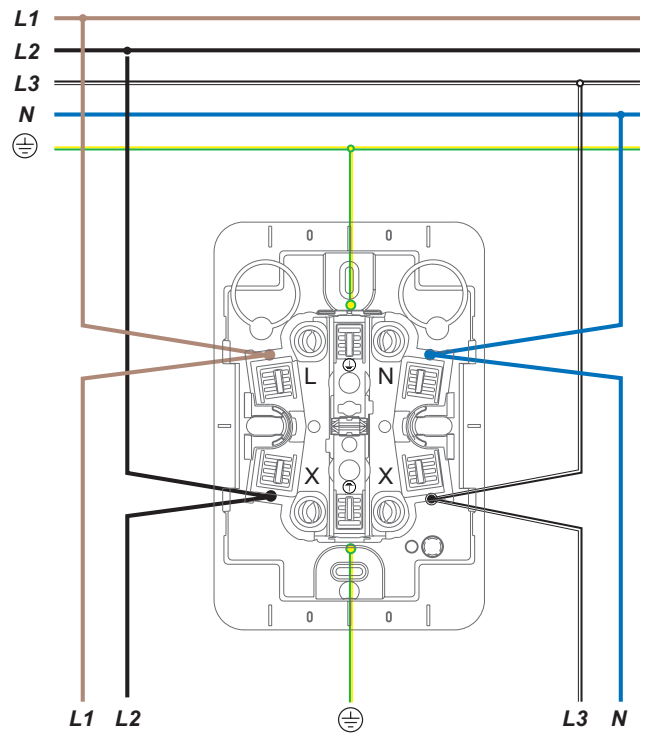


Wiring diagrams for double socket-outlets

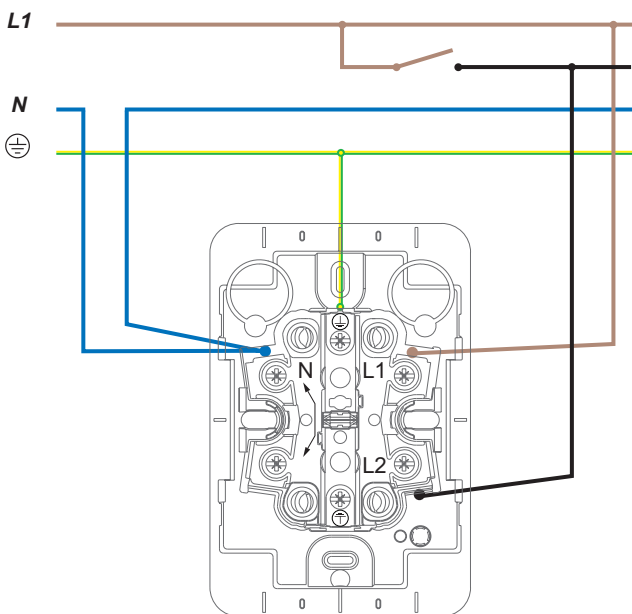
Branching version



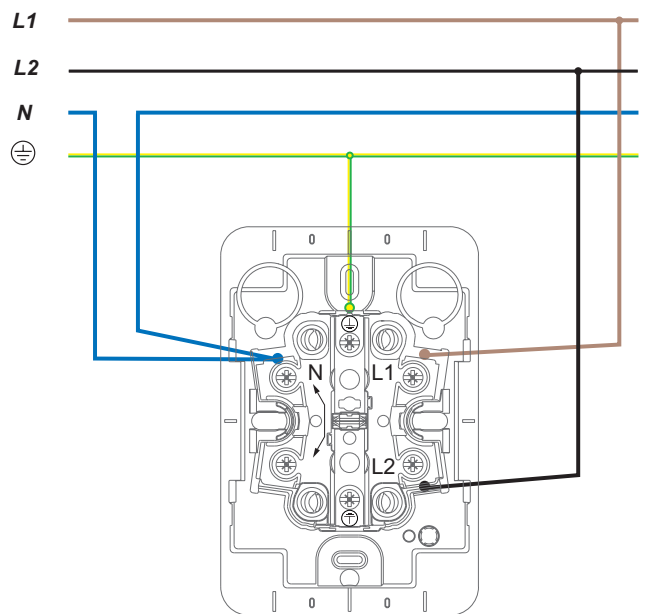
Looping version



Separate circuits (1-phase)



Two separate phases



## Single socket-outlets



Function	Color	PU	Art.nr	E-nr
SINGLE SO EARTHED SCREWLESS	WHITE	10 PCS	WDE015576	(SE)18 202 92 (NO)15 022 55 (FI)24 004 93
SINGLE SO EARTHED SCREW	WHITE	10 PCS	WDE015676	(SE)18 202 95 (NO)15 022 56 (FI)24 004 94

### Technical data

Product type	Exxact single socket-outlet
Mounting	Surface
Function	Side earth
Rated current	16A
Rated voltage	250V~
Connection terminals	Screwless / screw depending on the version
No. of loop terminals	-
Cable cross section	1x1.5mm <sup>2</sup> to 2x2.5mm <sup>2</sup> solid and solid stranded wires
Material	Thermoplast - bottomplate PC+10% GF, cover PC
Colour	White RAL 9003 (close to NCS 0500-N)
Length	65 mm
Width	65 mm
Height	42 mm
Use temperature	-15 to +50°C

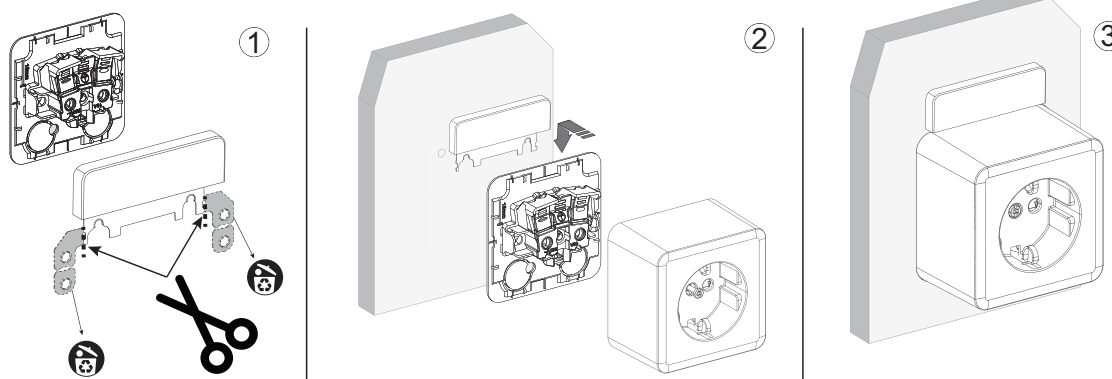
### Complementary

Standards	IEC 60 884-1 NEK 502
Certification	S, N, FI, CE
IP degree of protection	IP20 (also with visual parts removed). IP21 if the cable is coming from below or from the sides

### Others:

Additional info	Easy removable knock-outs for tubes Marking sign can be added
-----------------	--

## Marking sign installation instructions



## Quadruple socket-outlets



Function	Color	PU	Art.nr	E-nr
QUADRUPLE SO EARTHED SCREWLESS	WHITE	5 PCS	WDE015588	(SE)18 203 07 (NO)15 022 72 (FI)24 001 17
QUADRUPLE SO EARTHED SCREW	WHITE	5 PCS	WDE015688	(SE)18 203 08 (NO)15 022 73 (FI)24 001 19
QUADRUPLE SO EARTHED ON LADDER SHEET	WHITE	5 PCS	WDE015788	(SE)18 203 09 (NO)15 022 74 (FI)24 001 23

### Technical data

Product type	Exxact quadruple socket-outlet
Mounting	Surface
Function	Side earth
Rated current	16A
Rated voltage	250V~
Connection terminals	Screwless / Screw depending on the version
No. of loop terminals	2
Cable cross section	1x1.5mm <sup>2</sup> to 2x2.5mm <sup>2</sup> solid and solid stranded wires
Material	Thermoplast - bottomplate PC+10% GF, cover PC
Colour	White RAL 9003 (close to NCS 0500-N)
Length	98 mm
Width	116 mm
Height	42 mm
Use temperature	-15 to +50°C

### Complementary

Standards	IEC 60 884-1 NEK 502
Certification	S, N, FI, CE
IP degree of protection	IP20 (also with visual parts removed). IP21 if the cable is coming from below or from the sides

### Others:

Additional info	Easy removable knock-outs for tubes Additional fixation points on bottomplate Marking sign can be added
-----------------	---

Full cover surface mounted boxes



Function	Color	PU	Art.nr	E-nr
FULL COVER SMB 1M HIGH	WHITE	10 PCS	WDE015761	(SE)18 203 13 (NO)14 025 46 (FI)24 004 85
FULL COVER SMB 1M LOW	WHITE	10 PCS	WDE015751	(SE)18 203 14 (NO)14 025 47 (FI)24 004 86
FULL COVER SMB 2M HIGH	WHITE	5 PCS	WDE015762	(SE)18 203 15 (NO)14 025 48 (FI)24 004 87
FULL COVER SMB 2M LOW	WHITE	5 PCS	WDE015752	(SE)18 203 20 (NO)14 025 50 (FI)24 004 88
FULL COVER SMB 3M HIGH	WHITE	5 PCS	WDE015763	(SE)18 203 25 (NO)14 025 51 (FI)24 004 89
FULL COVER SMB 3M LOW	WHITE	5 PCS	WDE015753	(SE)18 203 29 (NO)14 025 52 (FI)24 001 27
MULTIMEDIA SMB 6M	WHITE	2 PCS	WDE015766	(SE)18 203 30 (NO)14 025 53 (FI)24 001 29

Technical data

Product type	Exxact full cover surface mounted box
Mounting	Surface
Function	1 to 6 module
Material	Thermoplast - ABS
Colour	White RAL 9003 (close to NCS 0500-N)
Length	1M: 86 mm / 2M: 157 mm / 3M: 228 mm / 6M: 228 mm
Width	1-3M: 86 mm / 6M: 157 mm
Height	Low versions: 33 mm / High versions: 47 mm / 6M: 47 mm
Use temperature	-15 to +50°C

Complementary

Standards	EN 60 670-1 and IEC 60 884-1
Certification	S, N, FI, CE
IP degree of protection	IP20 (if used as junction box) IP21, if cable is coming from below together with any flush Exxact IP21 product

Others:

Additional info	Separate bottomplate and full cover to simplify installation Easy removable knock-outs Can be mounted above a flush wall-box The bridge is removable to create a larger opening fitting to 2 module Exxact inserts Separation wall can be added Marking sign can be added Strain-relief can be added
-----------------	--



## Skirting box



Function	Color	PU	Art.nr	E-nr
SKIRTING BOX SINGLE MODULE	WHITE	5 PCS	WDE015741	(SE)18 203 34 (NO)14 025 54 (FI)20 005 23
SKIRTING BOX FOR DIAGONAL DOUBLE SOCKET- OUTLET	WHITE	5 PCS	WDE015743	(SE)18 203 37 (NO)14 025 56 (FI)20 005 24
SKIRTING BOX INCL HORIZONTAL DSO EARTHED	WHITE	5 PCS	WDE015742	(SE)18 203 35 (NO)14 025 55 (FI)24 001 33

### Technical data

Product type	Exxact skirting box
Mounting	Surface
Material	Thermoplast - ABS
Colour	White RAL 9003 (close to NCS 0500-N)
Length	140 mm
Width	WDE015741: 86 mm / WDE015743: 86 mm / WDE015742: 118 mm
Height	47 mm
Use temperature	-15 to +50°C

### Complementary

Standards	EN 60 670-1 and IEC 60 884-1 NEK 502
Certification	S, N, FI, CE
IP degree of protection	IP20 (if used as junction box) IP21, if cable is coming from below together with any flush Exxact IP21 product

### Others:

Additional info	Separate bottomplate and full cover to simplify installation Easy removable knock-outs Marking sign can be added Prepared for using a cable tie as strain relief
-----------------	---

Rocker switches



Function	Color	PU	Art.nr	E-nr
SWITCH 1-POLE/TWO-WAY [6/1]	□ WHITE	5 PCS	WDE015821	(SE)18 203 38 (NO)14 025 57 (FI)20 005 25
SWITCH 2-POLE [2]	□ WHITE	5 PCS	WDE015807	(SE)18 203 40 (NO)14 025 61 (FI)20 005 27
SWITCH INTERMEDIATE [7]	□ WHITE	5 PCS	WDE015831	(SE)18 203 48 (NO)14 025 67 (FI)20 005 20
SWITCH 2-CIRCUITS [5]	□ WHITE	5 PCS	WDE015816	(SE)18 203 43 (NO)14 025 63 (FI)20 005 29
SWITCH 2X TWO-WAY [6+6]	□ WHITE	5 PCS	WDE015826	(SE)18 203 46 (NO)14 025 65 (FI)20 005 31
SWITCH 1-POLE/TWO-WAY [6/1]	■ BLACK	5 PCS	WDE015921	(SE)18 203 39 (NO)14 025 60 (FI)20 005 26
SWITCH 2-POLE [2]	■ BLACK	5 PCS	WDE015907	(SE)18 203 41 (NO)14 025 62 (FI)20 005 28
SWITCH INTERMEDIATE [7]	■ BLACK	5 PCS	WDE015931	(SE)18 203 49 (NO)14 025 68 (FI)20 005 21
SWITCH 2-CIRCUITS [5]	■ BLACK	5 PCS	WDE015916	(SE)18 203 44 (NO)14 025 64 (FI)20 005 30
SWITCH 2X TWO-WAY [6+6]	■ BLACK	5 PCS	WDE015926	(SE)18 203 47 (NO)14 025 66 (FI)20 005 19

Technical data

Product type	Renova rocker switch
Rated current	16AX
Rated voltage	250V~
Connection terminals	Screwless
No. of loop terminals	2 (no loop terminals on 2x two-way versions)
Cable cross section	1x1.5mm <sup>2</sup> to 2x2.5mm <sup>2</sup> solid and solid stranded wires
Lamp	-
Mounting	Surface
Material	Thermoplast - bottomplate PC+10% GF, cover and center plate PC, rocker PC/ABS
Colour	White RAL 9010 (NCS 0502-Y) Black (NCS S 9000-N)
Width	Ø70 mm
Height	31 mm
Use temperature	-15 to +50°C

Complementary

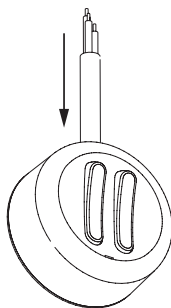
Standards	EN 60 669-1
Certification	S, N, FI, CE
IP degree of protection	IP20 (also with visual parts removed). IP21 if the cable is coming from below

Others:

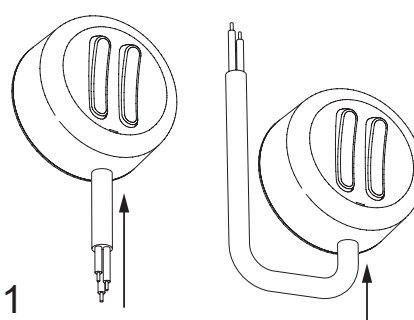
Additional info	Possibility for additional screw fixation of cover Impulse spring can easily be added to get push-button functionality
-----------------	---

IP classification

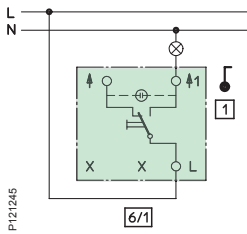
IP20



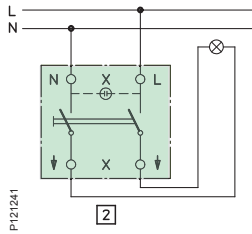
IP21



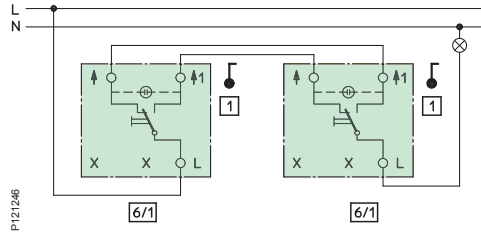
Wiring diagrams for switches



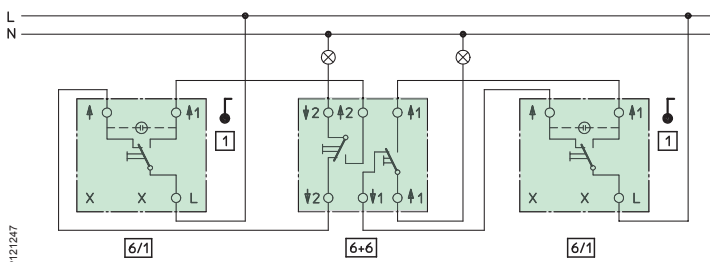
Switch 1-pole/2-way



Switch 2-pole



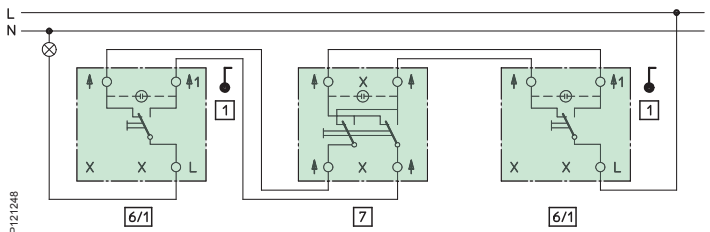
Switch 1-pole/2-way



Switch 1-pole/2-way

Switch 2x two-way

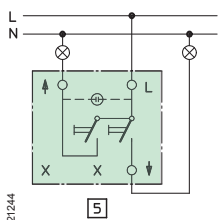
Switch 1-pole/2-way



Switch 1-pole/2-way

Switch intermediate

Switch 1-pole/2-way



Switch two-circuits

Single socket-outlets



Function	Color	PU	Art.nr	E-nr
SINGLE SO EARTHED SCREWLESS	□ WHITE	10 PCS	WDE015876	(SE)18 203 50 (NO)15 022 76 (FI)24 001 34
SINGLE SO EARTHED SCREW	□ WHITE	10 PCS	WDE015877	(SE)18 203 51 (NO)15 022 77 (FI)24 001 25
SINGLE SO EARTHED SCREWLESS	■ BLACK	10 PCS	WDE015976	(SE)18 203 52 (NO)15 022 78 (FI)24 001 26
SINGLE SO EARTHED SCREW	■ BLACK	10 PCS	WDE015977	(SE)18 203 53 (NO)15 022 79 (FI)24 004 84

Technical data

Product type	Renova single socket-outlet
Mounting	Surface
Function	Side earth
Rated current	16A
Rated voltage	250V~
Connection terminals	Screwless / screw depending on the version
No. of loop terminals	-
Cable cross section	1x1.5 mm <sup>2</sup> to 2x2.5 mm <sup>2</sup> solid and solid stranded wires
Material	Thermoplast - bottomplate PC+10% GF, cover PC
Colour	White RAL 9010 (NCS 0502-Y) Black (NCS S 9000-N)
Width	Ø70 mm
Height	43 mm
Use temperature	-15 to +50°C

Complementary

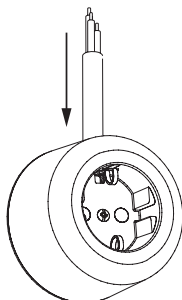
Standards	IEC 60 884-1 NEK 502
Certification	S, N, FI, CE
IP degree of protection	IP20 (also with visual parts removed). IP21 if the cable is coming from below

Others:

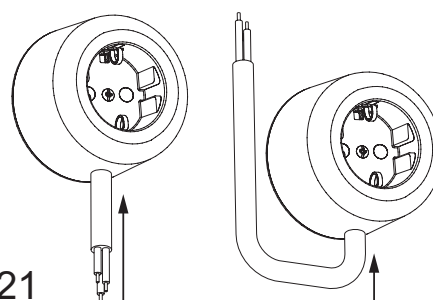
Additional info	-
-----------------	---

IP classification

IP20



IP21



Double socket-outlets



Function	Color	PU	Art.nr	E-nr
Double SO earthed screwless with loop terminals	□ WHITE	10 PCS	WDE015896	(SE)18 203 55 (NO)15 022 80 (FI)24 004 80
Double SO earthed branching screw	□ WHITE	10 PCS	WDE015897	(SE)18 203 56 (NO)15 022 81 (FI)24 004 81
Double SO earthed screwless with loop terminals	■ BLACK	10 PCS	WDE015996	(SE)18 203 58 (NO)15 022 82 (FI)24 004 82
Double SO earthed branching screw	■ BLACK	10 PCS	WDE015997	(SE)18 203 59 (NO)15 022 83 (FI)24 004 83

Technical data

Product type	Renova double socket-outlet
Mounting	Surface
Function	Side earth
Rated current	16A
Rated voltage	250V~
Connection terminals	Screwless / screw depending on the version
No. of loop terminals	2: depending on the version
Cable cross section	1x1.5 mm <sup>2</sup> to 2x2.5 mm <sup>2</sup> solid and solid stranded wires
Material	Thermoplast - bottomplate PC+10% GF, cover PC
Colour	White RAL 9010 (NCS 0502-Y) Black (NCS S 9000-N)
Length	111 mm
Width	70 mm
Height	43 mm
Use temperature	-15 to +50°C

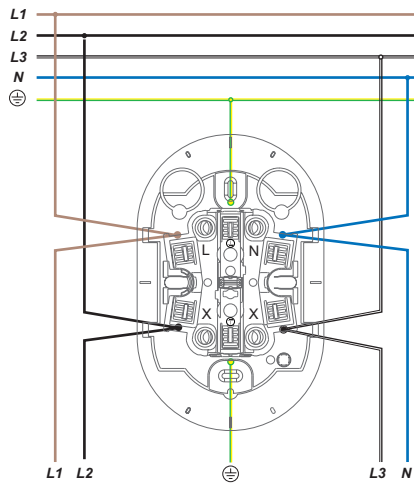
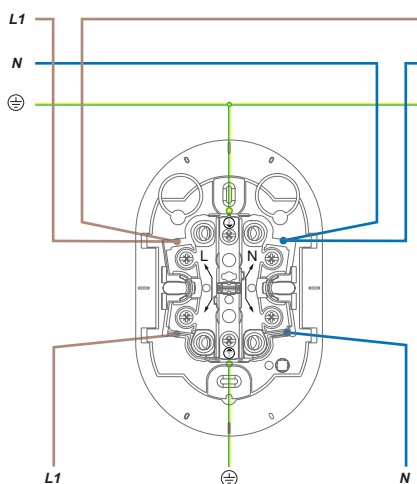
Complementary

Standards	IEC 60 884-1 NEK 502
Certification	S, N, FI, CE
IP degree of protection	IP20 (also with visual parts removed). IP21 if the cable is coming from below

Others:

Additional info	Easy removable knock-outs for tubes. Additional fixation points on bottomplate.
-----------------	--

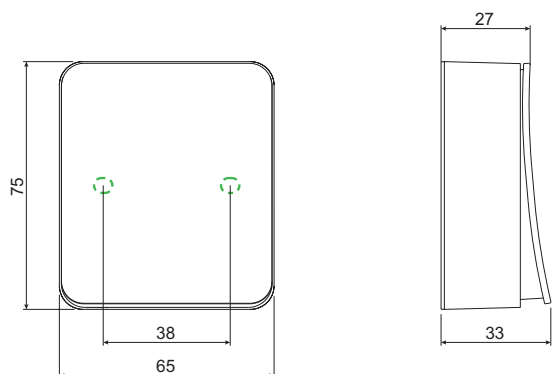
Wiring diagrams for double socket-outlets



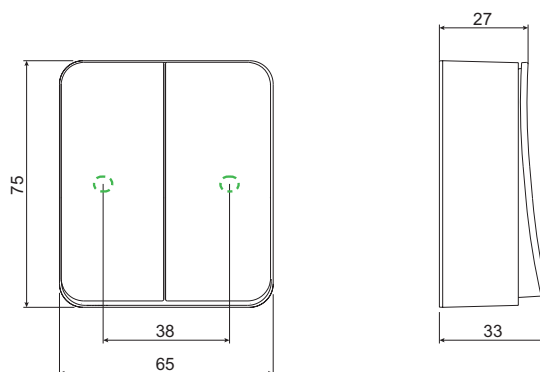


**Rocker switches**

**Single switches**

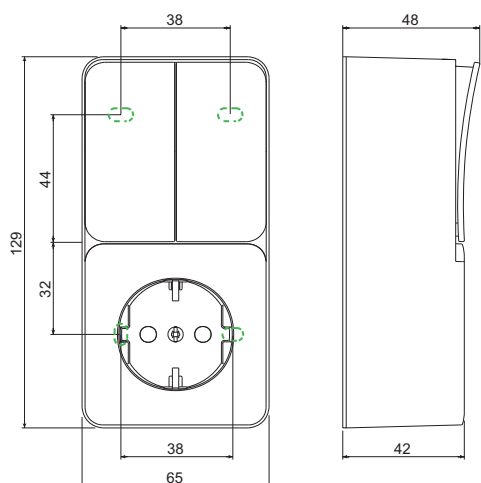


**Double switches**

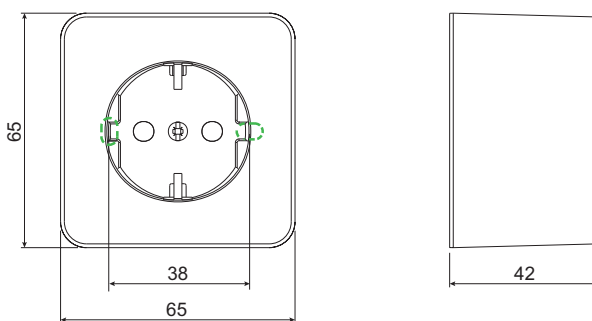


**Socket-outlets**

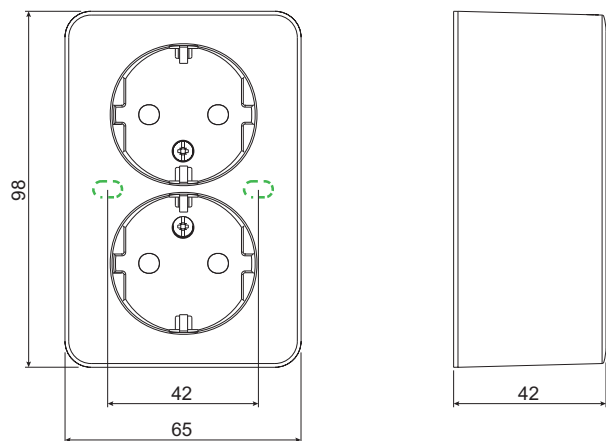
**Combinations of rocker switches and single socket-outlets**



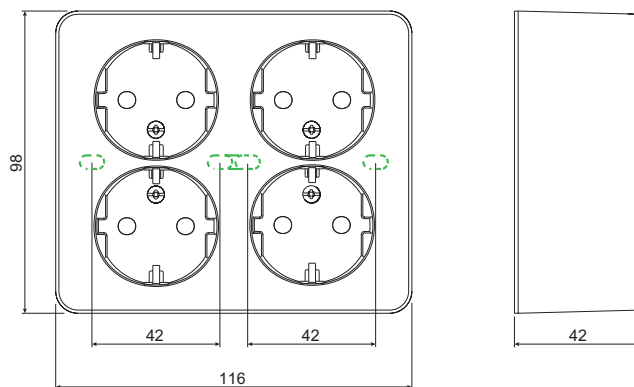
**Single socket-outlets**



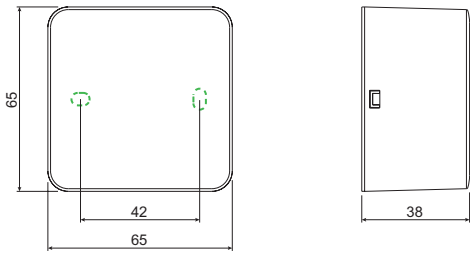
**Double socket-outlets**



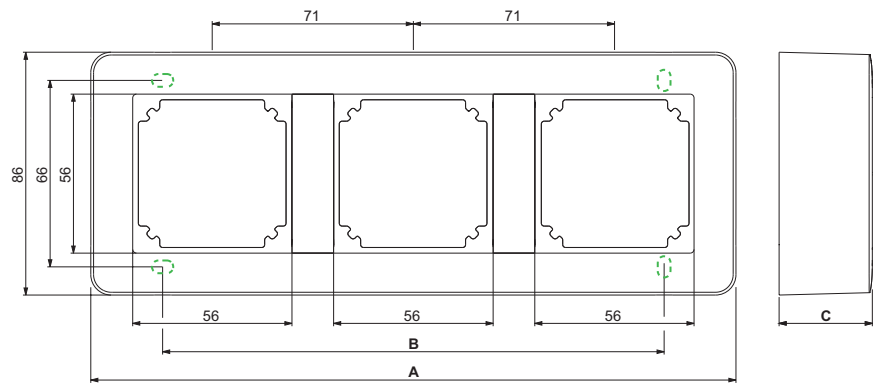
**Quadruple socket-outlets**



Connection boxes

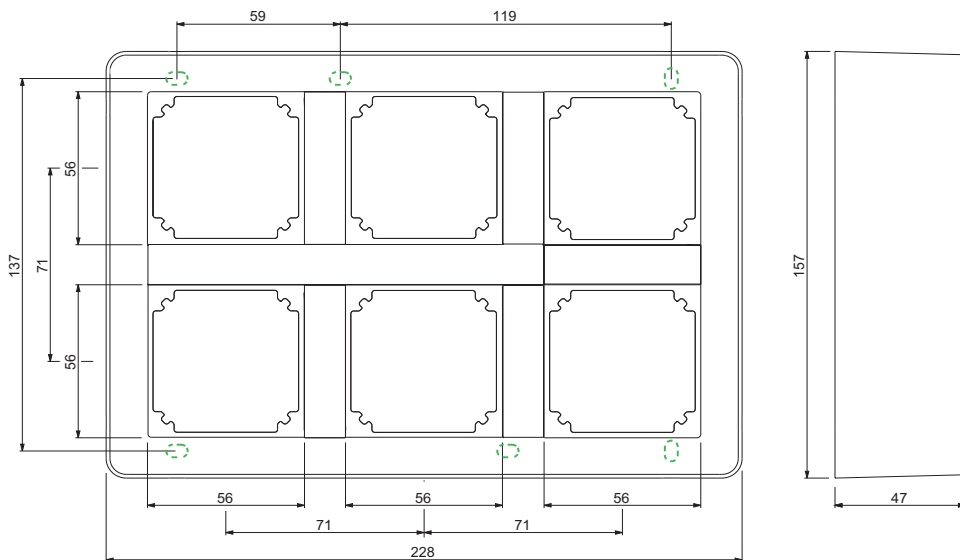


Full cover surface mounted boxes



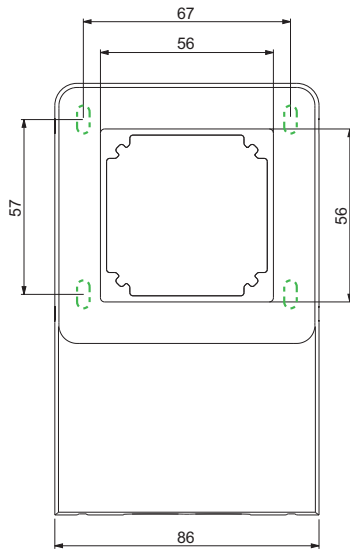
	A	B	C
SMB 1M	86 mm	66 mm	33 mm - LOW 47 mm - HIGH
SMB 2M	157 mm	106 mm	33 mm - LOW 47 mm - HIGH
SMB 3M	228 mm	177 mm	33 mm - LOW 47 mm - HIGH

Full cover multimedia surface mounted box 6 module

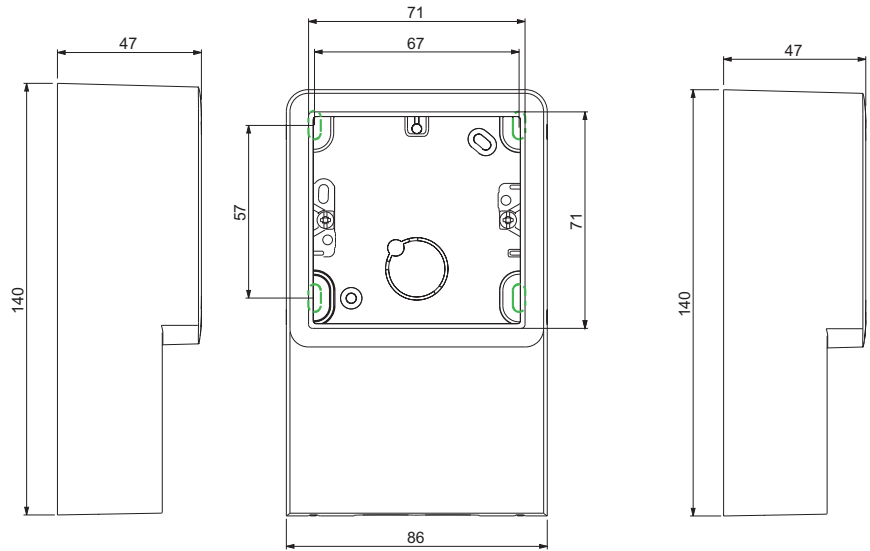


Skirting boxes

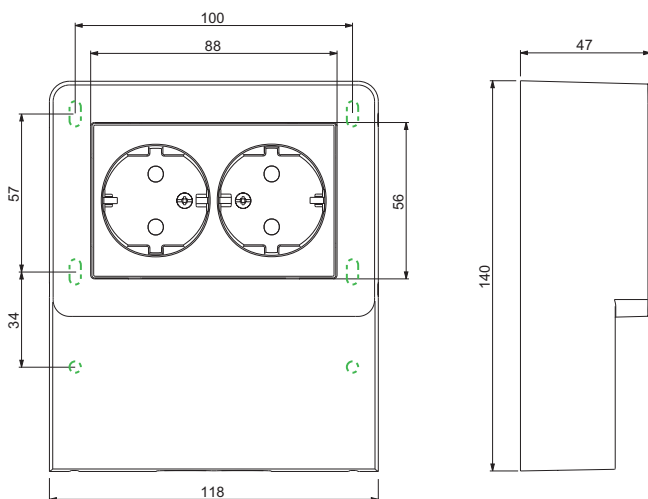
Skirting box single module



Skirting box for diagonal double socket-outlet

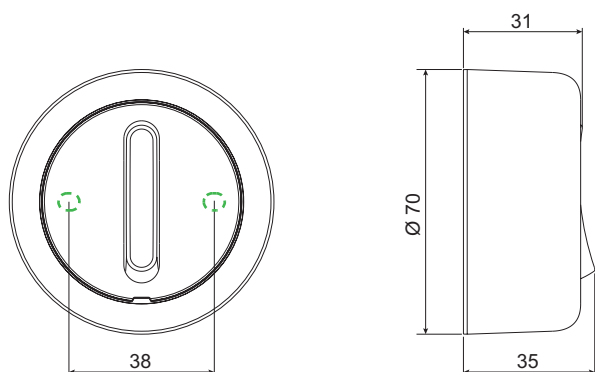


Skirting box with horizontal double socket-outlet

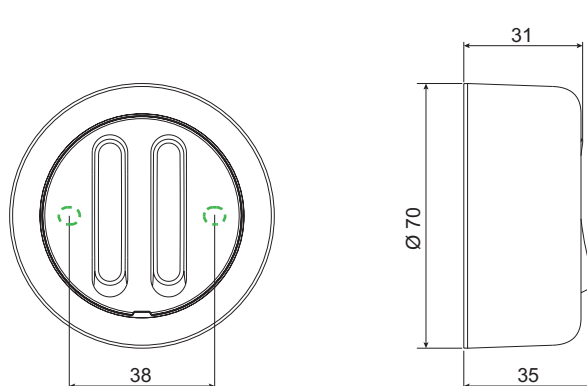


Rocker switches

Single rocker switches

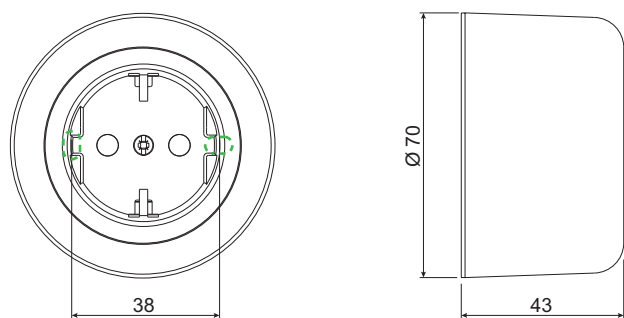


Double rocker switches

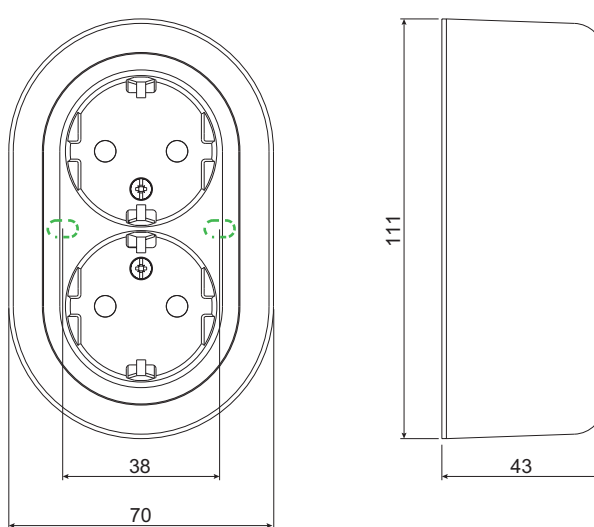


Socket-outlets

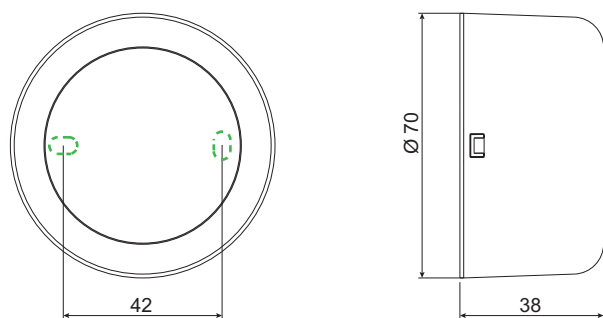
Single socket-outlets



Double socket-outlets



Connection boxes



fixation position

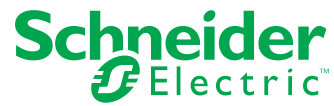
Index

2032019	28, 36	W	WDE015714	21
2033017	28, 36		WDE015715	21
2041200	28, 36	WDE002019	WDE015731	28, 36
4020210	30	WDE002020	WDE015733	28, 36
183052300	21, 33	WDE002027	WDE015741	27
C		WDE002176	WDE015742	27
		WDE002276	WDE015743	27
CCT5010-0001	24	WDE002279	WDE015751	26
CCT5011-0001	24	WDE002397	WDE015752	26
CCT99100	25	WDE002423	WDE015753	26
I		WDE002434	WDE015761	26
		WDE002576	WDE015762	26
IMT36108	28, 36	WDE002586	WDE015763	26
ISM14101P	29	WDE002679	WDE015766	26
ISM14102P	29	WDE002686	WDE015788	23
ISM14104P	30	WDE002797	WDE015789	22
ISM14105P	30	WDE002823	WDE015807	33
ISM14106P	30	WDE002834	WDE015810	35
ISM14106P	30	WDE002930	WDE015816	33
ISM14109P	30	WDE002932	WDE015821	33
ISM14130P	29	WDE005002	WDE015826	33
ISM14135P	29	WDE005014	WDE015831	33
ISM14191P	30	WDE005022	WDE015876	34
ISM14301P	29	WDE015507	WDE015877	34
ISM14302P	29	WDE015510	WDE015896	34
ISM14304P	30	WDE015511	WDE015897	34
ISM14305P	30	WDE015516	WDE015907	33
ISM14306P	30	WDE015521	WDE015910	35
ISM14309P	30	WDE015526	WDE015916	33
ISM14330P	29	WDE015531	WDE015921	33
ISM14335P	29	WDE015536	WDE015926	33
ISM14401P	29	WDE015541	WDE015931	33
ISM14402P	29	WDE015546	WDE015976	34
ISM14404P	30	WDE015551	WDE015977	34
ISM14405P	30	WDE015554	WDE015996	34
ISM14406P	30	WDE015562	WDE015997	34
ISM14407P	30	WDE015564		
ISM14409P	30	WDE015571		
ISM14430P	29	WDE015572		
ISM14601P	29	WDE015573		
ISM14602P	29	WDE015576		
ISM14604P	30	WDE015588		
ISM14605P	30	WDE015591		
ISM14606P	30	WDE015596		
ISM14607P	30	WDE015607		
ISM14609P	30	WDE015616		
ISM14630P	29	WDE015621		
		WDE015676		
		WDE015687		
		WDE015688		
		WDE015689		
		WDE015691		
		WDE015711		
		WDE015712		
		WDE015713		





Life Is On



Discover our full portfolio of surface-mounted wiring devices, today!

Schneider Electric Industries SAS  
Head Office  
35, rue Joseph Monier - CS 30323  
F92506 Rueil-Malmaison Cedex  
FRANCE