

Solar systems by Schweizer:

Information sheet – lightning current carrying capacity with the flat roof system MSP-FR

Lightning current carrying capacity

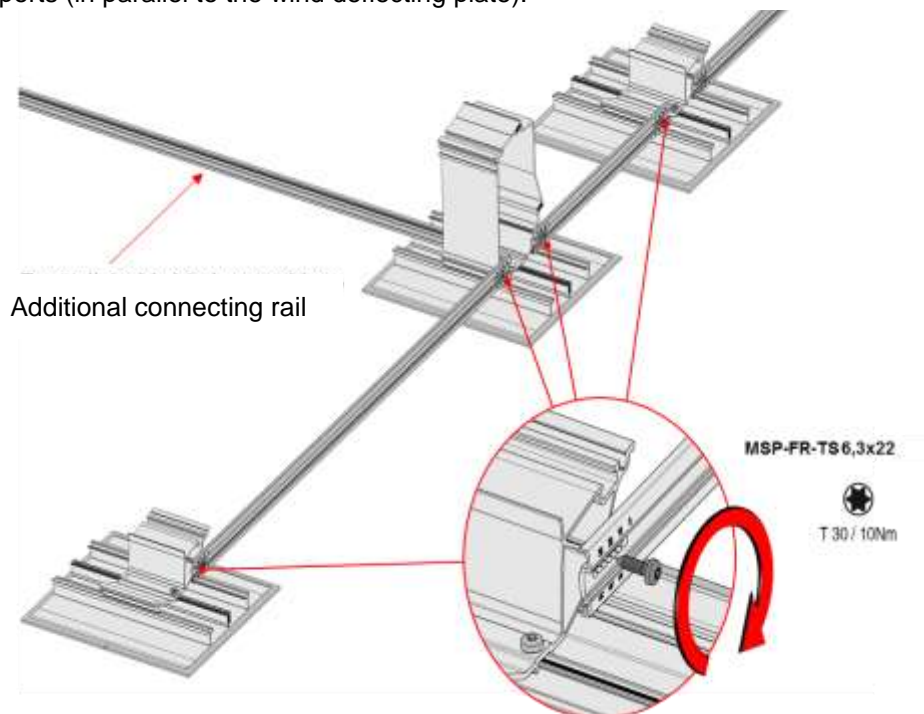
The MSP-FR-EW and MSP-FR-S photovoltaic flat roof systems can be used, in accordance with the criteria of DIN EN 62305-3, as part of the down conductor of a lightning protection system. When the following supplementary mounting conditions are observed, these mounting systems meet the requirements of test class H with 100 kA, based on DIN EN 62561-1.

Mounting conditions

To ensure lightning current carrying capacity, all connecting rails must be fastened with special screws:

- Article no. 21348, MSP-FR-TS 6,3x22
- Tightening torque 10 Nm
- Extension with MSP-FR-S:

In the case of the MSP-FR-S mounting system, connecting rails likewise need to be mounted between the high supports (in parallel to the wind deflecting plate).



Please note:

Lightning spikes and down conductors do not form part of the assortment of Ernst Schweizer AG. They can be attached directly to the supports, either by a professional firm or in accordance with the specifications of a lightning protection planner.

