

The image features a dark blue sky with wispy clouds at dusk. A street is illuminated by a series of tall, black streetlights that recede into the distance. In the foreground, a car is blurred, creating vibrant orange and red light trails. On the left, a wooden fence and a building with a tiled roof are partially visible.

**PHILIPS**

Lighting

# Light sources, electronics and professional luminaires

Pricelist 2018

# Symbols used in pricelist

01



## MASTER LEDbulb



### MASTER LEDbulb - Elegance meets efficiency

The MASTER LEDbulb range delivers a dimmable glow effect for a welcoming, warm atmosphere, making it ideal for general lighting applications in the hospitality industry. Its unique design radiates warm light in all directions, making it a true alternative to the incandescent lamp. They are particularly suitable for public areas such as lobbies, corridors, stairwells, where the light is always on. Compatible with existing fixtures with an E27 holder and designed for retrofit replacement of incandescent bulbs, MASTER LEDbulb delivers huge energy savings and minimizes maintenance cost without any compromise on light quality. They can be used together with most leading-edge dimmers, enabling further efficiencies while helping to create the desired atmosphere.

#### Benefits

- Up to 80% energy saving compared with traditional incandescent lamps

- Easy (retrofit) replacement
- Lower maintenance costs

#### Features

- Dimmable
- Compatible with an extensive range of dimmers
- Warm white light
- Lifetime of 25,000 to 45,000 hours
- UV- and IR-free light

#### Application

- Hotels, restaurants, bars, cafés
- Lobbies, corridors, stairwells, reception areas

#### Warnings and Safety

- Operating temperature range is between -20 °C and 45 °C ambient
- Only to apply in dry or damp locations and most of open fixtures with lamp-holders that offer sufficient space (10 mm free air space)
- Not intended for use with emergency light fixtures or exit lights

	C nom.	D nom.
1	110	60
2	110.0	60.0
3	137.2	70.6

## MASTER LEDbulb

Power (Rated) ≙ replaces	Bulb Shape	Correlated Color Temperature	Luminous Flux (Rated)	Luminous Efficacy (rated)	Rated Lifetime	Switching Cycle	EAN-1
(W)		(K)	(lm)	(lm/W)	(h)	mm	
6 ≙ 40	E27	A60	2,200-2,700	470	25,000	1	8718696577912
6 ≙ 40	E27	A60	2,200-2,700	470	25,000	1	8718696481288
8.5 ≙ 60	E27	A60	2,200-2,700	806	25,000	1	8718696577899
8.5 ≙ 60	E27	A60	2,200-2,700	806	25,000	2	8718696481325
11 ≙ 75	E27	A67	2,200-2,700	1,055	25,000	3	8718696555514
15 ≙ 100	E27	A67	2,200-2,700	1,521	25,000	3	8718696555552

Commercial product name	National Lamp Fee <sup>1</sup>	Net Trade Price per Piece	National Discount Group	EAN-1
		(€ net)		
MAS LEDbulb DT 6-40W A60 E27 827 FR	A+ 10	fee relevant 3.80	L1	8718696577912
MAS LEDbulb DT 6-40W E27 A60 CL	A+ 10	fee relevant 3.60	L1	8718696481288
MAS LEDbulb DT 8.5-60W A60 E27 827 FR	A+ 10	fee relevant 4.70	L1	8718696577899
MAS LEDbulb DT 8.5-60W E27 A60 CL	A+ 10	fee relevant 4.70	L1	8718696481325
MAS LEDbulb DT 11-75W A67 E27 827 FR	A+ 5	fee relevant 9.40	L1	8718696555514
MAS LEDbulb DT 15-100W A67 E27 827 FR	A+ 5	fee relevant 11.40	L1	8718696555552

<sup>1</sup> Product fee relevant according local regulation

Click here or scan the QR code to get the full product documentation at our website

Minimum order size/ Number of pieces in the package

Optional adjustment of luminous flux














Discount groups:

- Lamps and electronics
- L1 - Philips Professional LED
- L2 - Philips Professional non-LED
- L3 - Philips Lighting Electronics
- L4 - Philips Standard
- L5 - PILA Standard
- L6 - Standard LED
















Luminaires

- P1 - basic portfolio
- P2 - standard portfolio
- P3 - project portfolio
- P7 - basic portfolio

# Chapter Overview – Professional Lamps

		Intro
Introduction	Page 9	
		01
LED lamps and tubes	Page 22	
		02
Fluorescent Lamps and Starters	Page 88	
		03
Compact Fluorescent Integrated	Page 123	
		04
Compact Fluorescent Non Integrated	Page 142	
		05
Compact High Intensity Discharge	Page 163	
		06
High Intensity Discharge Lamps	Page 182	
		07
Halogen Lamps	Page 208	
		08
Special Lamps	Page 232	
		09
Incandescent Lamps	Page 239	
		10
Lighting Electronics	Page 249	
		11
Consumer products	Page 296	
		12
Lighting Controls	Page 314	

# Chapter Overview – Luminaires

Recessed	Page 323	<b>13</b> 
Suspended	Page 330	<b>14</b> 
Surface mounted	Page 331	<b>15</b> 
Wall mounted	Page 340	<b>16</b> 
Downlights	Page 342	<b>17</b> 
Projectors	Page 351	<b>18</b> 
High-bay and low-bay	Page 355	<b>19</b> 
Light-line systems	Page 356	<b>20</b> 
Battens	Page 358	<b>21</b> 
Waterproof and cleanroom	Page 364	<b>22</b> 
Road and Urban Lighting	Page 370	<b>23</b> 
Architectural floodlighting	Page 383	<b>24</b> 
Sports and Area floodlighting	Page 388	<b>25</b> 
Appendix	Page 396	<b>26</b> 
Index	Page 403	<b>27</b> 



Symbols used in pricelist .....	1
---------------------------------	---

## Introduction



What's new in professional lighting? .....	9
Why choose Philips for LEDlamps .....	11
Recent EU regulations .....	13
Corporate social responsibility .....	15
Philips Lighting University .....	17
Colour temperature and rendering .....	18
Lighting units .....	20

## Professional Lamps

### LED lamps and tubes



There's innovation in the air! .....	23
Features to check before retrofitting .....	24
High Performance Dimming .....	25
MASTER versus CorePro .....	26

#### LED bulbs

SceneSwitch LED Lamps .....	28
The clear classic goes LED .....	30
MASTER LEDbulbs .....	31
Classic filament LED Lamps .....	33
Classic frosted LED Lamps .....	37
CorePro LEDbulbs .....	39

#### LED spots

MASTER LEDspot ExpertColor LV .....	42
MASTER LEDspot ExpertColor MV .....	44
Quality, Value and lifetime .....	46
MASTER VALUE LEDspot LV .....	47
MASTER VALUE LEDspot MV .....	50
MASTER LEDspot LV AR111 .....	52
MASTER LEDspot PAR .....	54
CorePro LEDspot LV .....	56
CorePro LEDspot MV .....	58

#### LED candles and lusters

MASTER LED candles and lusters .....	61
CorePro LED candles and lusters .....	63
Standard LED candles & lusters .....	65

#### LED capsules and specials

CorePro LEDcapsule LV .....	66
CorePro LEDcapsule MV .....	67
CorePro LEDlinear MV .....	68

#### LED PL lamps

CorePro LED PLC .....	70
CorePro LED PLL .....	72

#### LED HID replacement

TrueForce LED Public (Urban/Road – HPL/SON) .....	73
TrueForce LED Industrial and Retail (Highbay – HPI/SON/HPL) .....	74

#### LED tubes

MASTER LEDtube Universal T8 .....	75
MASTER LEDtube InstantFit HF T5 .....	76
MASTER LEDtube InstantFit HF T8 .....	78
Instantly efficient, instantly sustainable .....	80
MASTER LEDtube EM/Mains T8 .....	81
CorePro LEDtube InstantFit HF .....	84
CorePro LEDtube EM/Mains T8 .....	85
Other LEDtube .....	86

### Fluorescent Lamps and Starters



#### TL5

MASTER TL5 High Efficiency Eco .....	89
MASTER TL5 High Efficiency .....	90
MASTER TL5 High Output Eco .....	91
MASTER TL5 High Output .....	92
MASTER TL5 High Output Xtra .....	94
MASTER TL5 High Efficiency Secura .....	95
MASTER TL5 High Output Secura .....	96
MASTER TL5 High Output 90 De Luxe .....	97
MASTER TL5 Circular .....	98

#### TL-D

MASTER TL-D Eco .....	99
MASTER TL-D Super 80 .....	100
PILA LF Super 80, T8 .....	102
MASTER TL-D Secura .....	103
MASTER TL-D Xtra .....	104
MASTER TL-D Xtreme .....	105
MASTER TL-D Xtreme Secura .....	106
MASTER TL-D 90 De Luxe .....	107
MASTER TL-D 90 Graphica .....	108
MASTER TL-D Food .....	109
TL-D Colored .....	110

#### TL

MASTER TL-E Circular Super 80 .....	111
TL-M Rapid Start Standard Colours .....	112
TL-X XL .....	113

#### TL Miniature

MASTER TL Mini Super 80 .....	114
TL Mini Standard Colours .....	115

#### Starters for Fluorescent Lamps

Ecoclick Starters .....	116
Solution Starters .....	117
Safety & Comfort Starters .....	118
Green Starters .....	119
Starters for tanning lamps .....	120
Spectral power distribution .....	121

### Compact Fluorescent Integrated



#### Energy Saver Stick shape



MASTER PL-Electronic .....	124
MASTER Stairway .....	126
GENIE .....	127
Economy stick .....	129

#### Energy Saver Bulb shape

MASTER PL-Electronic Polar .....	130
Softone Globe .....	131

#### Energy Saver Specialties

Circular ESaver .....	132
-----------------------	-----

<b>Energy Saver Twister shape</b>			
Tornado Dimmable .....	133		
Economy Twister .....	134		
Tornado High Lumen .....	136		
Tornado T3 .....	137		
Tornado T2 .....	138		
Tornado T2 mini .....	140		
		<b>04</b>	
<b>Compact Fluorescent Non Integrated</b>			
<b>PL-R</b>			
MASTER PL-R Eco 4 Pin .....	143		
<b>PL-S</b>			
MASTER PL-S 2 Pin .....	144		
MASTER PL-S 4 Pin .....	145		
<b>PL-C</b>			
MASTER PL-C Xtra 2 Pin .....	146		
MASTER PL-C Xtra 4 Pin .....	147		
MASTER PL-C 2 Pin .....	148		
MASTER PL-C 4 Pin .....	149		
<b>PL-T</b>			
MASTER PL-T 2 Pin .....	150		
MASTER PL-T 4 Pin .....	151		
MASTER PL-T TOP 4 Pin .....	153		
MASTER PL-T Xtra 4 Pin .....	154		
<b>PL-L</b>			
MASTER PL-L 4 Pin .....	155		
MASTER PL-L Polar 4 Pin .....	157		
MASTER PL-L Xtra 4 Pin .....	158		
<b>PL-Q</b>			
PL-Q 2 Pin .....	159		
PL-Q 4 Pin .....	160		
Spectral power distribution .....	161		
		<b>05</b>	
<b>Compact High Intensity Discharge</b>			
<b>MASTERCoulour CDM</b>			
MASTERCoulour CDM-T Elite .....	164		
MASTERCoulour CDM-T .....	165		
MASTERCoulour CDM-TC Elite .....	166		
MASTERCoulour CDM-TC .....	167		
MASTERCoulour CDM-Tm Elite Mini .....	168		
MASTERCoulour CDM-Tm Mini PGJ5 .....	169		
MASTERCoulour CDM-TP .....	170		
MASTERCoulour CDM-TD .....	171		
MASTERCoulour CDM-Rm Elite Mini .....	172		
MASTERCoulour CDM-R Elite .....	173		
MASTERCoulour CDM-R111 Elite .....	174		
MASTERCoulour CDM-R111 .....	175		
<b>MASTER SDW White SON</b>			
MASTER SDW-TG Mini .....	176		
MASTER SDW-T .....	177		
<b>MHN Low Wattage Metal Halide</b>			
MHN-TD .....	178		
Spectral power distribution .....	179		
		<b>06</b>	
<b>High Intensity Discharge Lamps</b>			
Phasing out – the key stages for Philips HID lamps .....	183		
<b>Ceramic Metal Halide</b>			
MASTER CosmoWhite CPO-TW & CPO-TW Xtra .....	184		
MASTERCoulour CDM MW Eco .....	185		
MASTERCoulour CDM-T Elite MW .....	186		
MASTER CityWhite CDO-TT .....	187		
MASTER CityWhite CDO-ET .....	188		
<b>Quartz Metal Halide</b>			
MASTER MHN-SA .....	189		
MASTER MHN-LA .....	190		
MASTER MHN-SE .....	191		
MASTER MHN-FC .....	192		
MASTER MHN-SB .....	193		
MASTER HPI Plus .....	194		
MASTER HPI Plus .....	195		
HPI-T High Wattage .....	196		
<b>SON High Pressure Sodium</b>			
MASTER SON-T APIA Plus Xtra .....	197		
MASTER SON APIA Plus Xtra .....	198		
MASTER SON-T PIA Plus .....	199		
MASTER SON PIA Plus .....	200		
SON-T .....	201		
SON .....	202		
<b>SOX Low Pressure Sodium</b>			
MASTER SOX-E .....	203		
SOX .....	204		
Spectral power distribution .....	205		
		<b>07</b>	
<b>Halogen Lamps</b>			
<b>LV Halogen with Reflector</b>			
MASTERLine ES .....	209		
MASTERLine 111 .....	210		
Brilliantline Dichroic .....	211		
Brilliantline Alu .....	212		
Accentline .....	213		
Aluline 111 .....	214		
Aluline 37/56 .....	215		
<b>LV Halogen without Reflector</b>			
MASTERCapsule .....	216		
Capsuline .....	217		
<b>MV Halogen without Reflector</b>			
Halogen Classic A-shape .....	218		
Halogen Classic P45 .....	219		
Halogen Classic Candle B35 .....	220		
Halogen Classic Twisted Candle B35 .....	221		
Halogen Classic BXS35 .....	222		
Halogen Classic G95 .....	223		
Halogen Classic T25L .....	224		
Halogen Classic T32 .....	225		
Halogen Clickline G9 .....	226		
HalogenA IDE .....	227		
Plusline ES Compact .....	228		
Plusline ES Small .....	229		
Plusline Large (double ended) .....	230		
		<b>08</b>	
<b>Special Lamps</b>			
<b>InfraRed</b>			
InfraRed Industrial Heat Incandescent .....	233		
InfraRed Healthcare Heat Incandescent .....	234		
<b>BlackLightBlue (BLB)</b>			
TL-D Blacklight Blue .....	235		
TL Mini Blacklight Blue .....	236		
PL-S Blacklight Blue .....	237		
		<b>09</b>	
<b>Incandescent Lamps</b>			
<b>Tubular (T-shape)</b>			
Deco Tubular .....	240		
<b>GLS Specialties</b>			
Standard Extra Low Voltage A60 .....	241		
Party Lustre P45 .....	242		

**Domestic Appliances**

Appliance Oven Tubular .....	243
Appliance Oven P45 .....	244
Appliance Refrigerator Tubular .....	245
Appliance Sewing Machine Tubular .....	246

**Reflector (NR/R/PAR/E/A/P/PC-shape)**

PAR38 Colours .....	247
---------------------	-----

10

**Lighting Electronics****HID**

AspiraVision Compact for CDM .....	251
PrimaVision Compact for CDM .....	252
PrimaVision Mini for CDM .....	253
PrimaVision Twin for CDM .....	254
PrimaVision Power for CDM .....	255
PrimaVision for SDW-TG .....	256
EXC for SOX .....	257
PrimaVision for CDM Elite MW .....	258
HID-PrimaVision CDM .....	259
PrimaVision BasePerform .....	260
Gear for SDW-T lamps .....	261
HID-Basic BSN/BMH MK4 semi-parallel for SON/CDO/ CDM/MH/HPI .....	262
HID-Basic BSN/BMH semi-parallel for SON/CDO/CDM/MH/HPI .....	263
HID-Basic BSN/BMH series multi-wattage for SON/CDO/ CDM/MH/HPI .....	264
HID-HeavyDuty BSN semi-parallel for SON/CDO/MH/HPI .....	265
HID-Basic BHL MK4 for HPL/HPI .....	266
HID-Basic BHL for HPL/HPI .....	267
HID-HeavyDuty BHL for HPL/HPI .....	268
HID-HighPower for SON/MH/HPL/HPI .....	269
HID-Constant wattage BSX for SOX .....	270
HID ignitors for series systems .....	271
HID ignitors for MK4 semi-parallel systems .....	272

**Fluorescent**

HF-Regulator Intelligent Touch DALI for PL-T/C and TL5C .....	273
HF-Regulator Intelligent Touch DALI for TL5/TL-D/PL-L lamps .....	274
HF-Regulator II for TL5 lamps .....	275
HF-Regulator II for TL-D lamps .....	276
HF-Regulator II for PL-L lamps .....	277
HF-Regulator II for PL-T/C .....	278
HF-Performer Intelligent for TL5 HE/HO lamps .....	279
HF-Performer III for TL5 lamps .....	280
HF-Performer III for TL-D lamps .....	281
HF-Performer II Xtreme for TL5/TL-D lamps .....	282
HF-Selectalume II for TL5 lamps .....	283
HF-Selectalume II for TL-D lamps .....	284
HF-Essential II for TL5/TL-D .....	285
HF-Basic II for TL-D lamps .....	286
HF-Performer III for PL-T/C lamps .....	287
HF-Performer III for PL-L lamps .....	288
HF-Performer II for PL-T/C/R/L/TL5C lamps .....	289
HF-Selectalume II for PL-T/C Strain Relief .....	290
HF-Matchbox Red .....	291
HF-Matchbox Blue .....	292

**Halogen electronic transformers**

Primaline Halogen Transformers .....	293
Certaline Halogen Transformers .....	294

11

**Consumer products****LED Lamps**

LED bulb A60, E27 .....	297
LED candle B35, E14 .....	298
LED candle glass B35, E14 .....	298
LED lustre P45, E14 & E27 .....	299
LED lustre glass P45, E14 & E27 .....	299
PILA LED bulb A60/A67, E27 .....	300
PILA LED candle B35, E14 .....	301
PILA LED capsule .....	301
PILA LED lustre P45, E14 & E27 .....	302
PILA LED tube .....	302
LEDspots LV Affordable .....	303
LEDspots MV Affordable .....	303
PILA LED Spots LV .....	304
PILA LED Spots MV .....	305
PILA LED Spots R50 & R63 .....	306

**Halogen Lamps**

PILA Halogen Classic Bulb A55, E27 .....	307
PILA Halogen Classic Candle B35, E14 & E27 .....	307
PILA Halogen Classic Lustre P45, E14 & E27 .....	308
Halogen Capsule, G4 & GY6.35 .....	309
PILA Capsule LV, G4 .....	309
PILA Capsule MV, G9 .....	310
Halogen Linear R7S .....	310
Halogen Dichroic, GU4 & GU5.3 .....	311

**Incandescent Lamps**

GLS A60, 24V .....	312
--------------------	-----

12

**Lighting Controls****Installer Based Smart Sensors**











OccuSwitch .....	315
OccuSwitch DALI .....	316
OccuSwitch Wireless .....	317

**Indoor Accessories**

Indoor Accessories .....	318
--------------------------	-----

**Color Kinetics Controls**

Vaya Touch Controller .....	319
-----------------------------	-----


<b>Indoor Luminaires</b>		
		<b>13</b>
<b>Recessed</b>		
<b>LED luminaires</b>		
Ledinaire Recessed RC060B .....	323	
Ledinaire Panel RC065B .....	324	
PlainView, recessed .....	325	
CoreLine Recessed .....	326	
CoreLine Panel .....	327	
<b>With louver element</b>		
TBS165 .....	329	
		<b>14</b>
<b>Suspended</b>		
<b>LED luminaires</b>		
PlainView, suspended .....	330	
		<b>15</b>
<b>Surface mounted</b>		
<b>LED luminaires</b>		
FastSet, Surface Mounted .....	331	
Ledinaire Surface-mounted SM060C .....	332	
CoreLine Surface-mounted .....	333	
<b>Without louver element</b>		
TCS022 .....	335	
<b>With louver element</b>		
TCS165 .....	336	
EFix TCS260 .....	337	
		<b>16</b>
<b>Wall mounted</b>		
Ledinaire Wall-mounted WLO60V .....	340	
CoreLine Wall-mounted .....	341	
		<b>17</b>
<b>Downlights</b>		
<b>LED luminaires</b>		
CoreLine Downlight .....	342	
CoreLine SlimDownlight .....	343	
Downlight DN060B .....	344	
Ledinaire SlimDownlight DN065B .....	345	
Zadora LED .....	346	
CoreLine Recessed Spot .....	347	
ClearAccent .....	348	
		<b>Adjustable</b>
Zadora, adjustable .....	349	
		<b>Recessed</b>
Zadora, fixed .....	350	
		<b>18</b>
<b>Projectors</b>		
<b>LED luminaires</b>		
EcoStyle .....	351	
CoreLine Projector .....	352	
<b>Accessory</b>		
3-circuit Square RCS750 .....	353	
		<b>19</b>
<b>High-bay and low-bay</b>		
<b>High-bay</b>		
CoreLine Highbay .....	355	
		<b>20</b>
<b>Light-line systems</b>		
<b>Basic Light-line system</b>		
CoreLine Trunking .....	356	
		<b>21</b>
<b>Battens</b>		
<b>LED / Module</b>		
Pentura Mini LED .....	358	
Ledinaire Batten BN060C .....	359	
CoreLine Batten .....	360	
<b>For T5 fluorescent lamps</b>		
Pentura Mini .....	361	
Pentura Mini CC .....	362	
<b>For T8 fluorescent lamps</b>		
Lineco TMS022 .....	363	
		<b>22</b>
<b>Waterproof and cleanroom</b>		
<b>Waterproof Luminaires</b>		
Ledinaire Waterproof WT060C .....	364	
CoreLine Waterproof .....	365	
TCW060 .....	366	
<b>Cleanroom</b>		
Cleanroom LED CR250B .....	367	



# What's new in professional lighting?





A person is sitting on a bench, holding a red flag on a pole. The person is wearing a white shirt and blue jeans. The background is a warm, orange-toned gradient.

**Life without light** is impossible to imagine. We've been using it for thousands of years, in ever-more sophisticated ways, to enhance **our lives** and illuminate **our world**.

**Our solutions** are light on the environment too. That's important for two reasons. Firstly, your customers want to use as **little energy** as possible in these times of rising energy prices and difficult economies. And secondly, they also want **to save the planet** from the effects of climate change to create a more sustainable world. With our lamps they can do both. Lighting technology has been totally **revolutionized** in the last 10 to 15 years. **LED** is becoming more influential in home lighting and is slowly transforming the way we think about light. We've been a pioneer in **innovative lighting** solutions, encouraging our experts to seek inspirational **new ways to light** our world.

They've risen to the **challenge** by developing solutions that combine energy efficiency and ease of use with the exception **quality of light**. From miniaturized lamps that are beautifully discreet to those designed for a very specific purpose.

All our lamps comply with current legislation and have been designed to make choosing the **right solution** as easy as possible. And because life is complicated enough, we've made sure that **technology** never gets in the way.

A man and a woman are sitting in a meeting. The man is on the left, wearing a light blue shirt, looking towards the woman. The woman is on the right, wearing a light blue striped blouse, looking towards the man. They are both smiling slightly. The background is a plain, light-colored wall. The text "Why choose Philips for LEDlamps" is overlaid in the center of the image.

Why choose **Philips**  
for LEDlamps



### BEST product

#### Our LEDlamps provide you with:

- **High quality of light:** consistency in colour of light ... and no unpleasant surprises in the application
- A uniform, directional beam of light ... and no waste of light in places where you don't want light
- Maximum transformer compatibility ... we designed a unique intelligent driver concept for low voltage LEDlamps, which enables broad compatibility with existing transformers
- High performance dimming ... enjoy smooth, flicker-free dimming with our MASTER LEDlamps. Compatible with all the major dimmer brands in the market.

### BEST partner

#### Close cooperation with Philips before, during, and after projects:

“They really managed to satisfy our needs well. They really have cared a lot and showed a lot of commitment ...”

#### Technical consulting and intense customer support:

“Quick and competent responses to questions”

#### Close cooperation with local wholesalers was a key element of assuring on-time product availability:

“Philips is flexible to offer different delivery options”

### BEST portfolio

- Extensive portfolio ... we have **a lamp for every socket** and our offer entails an entry range - CorePro ... and a high end range - MASTER
- Philips offers products for all fields in all different segments/ applications, from carpark to supermarket and from office to hotel lobby.

A world  
**leader**  
in **LED**  
Lighting

**Note:** For the full dimmer and transformer compatibility list please visit: [www.philips.com/masterledlamps](http://www.philips.com/masterledlamps).



# Recent EU regulations related to lighting products

The European Union (EU) is issuing more and more regulation aimed at reducing energy consumption and the emission of greenhouse gases. At Philips we're committed to leading the lighting market in sustainability and fully support this strategy. These are the key changes in legislation for lighting.

## Lighting performance and packaging

The EU Ecodesign directive 2009/125/EC for Energy-related Products (ErP) requires inefficient light sources to be phased out in accordance with regulations EC 244/2009 and EC 1194/2012. It also defines the minimum performance standards for their energy-saving alternatives. Since September 2013, the renewed Energy Efficiency Labeling directive has also come into force, introducing two new classes of energy efficiency: A+ and A++.

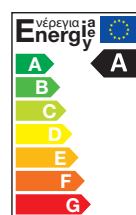
The most important changes since 1st of September 2013 are:

- For non-directional light sources that use halogen and compact fluorescent technology, the performance requirements have been tightened (stage 5 of regulation EU 244/2009)
- For directional light sources (reflector lamps), the EU regulation 1194/2012 has come into force.

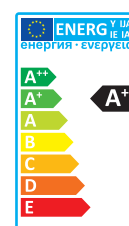
This means that:

- The most energy-inefficient lamps will be banned. From September 2013, this affects incandescent reflector lamps of 75 W and over, as well as low efficiency 12 V Halogen 50 W spots. As of September 2014, all other wattages in this category will follow.

- Extended consumer information is needed on the retail packaging, on the lamp itself, and on the brand's public website. This includes, for example, the lamp brightness, expressed in lumens within a 90° angle  
Special purpose directional lamps are exempted
- For LED lamps, EU 1194/2012 defines the minimum performance and functionality requirements both for directional and non-directional light sources
- The renewed Energy Efficiency Labeling directive 874/2012 comes into force. This introduces class A+/A++ in light of the ongoing evolution of LED technology. The scope of the labeling requirement now extends to all directional ("reflector") lamps and all 12 V halogen lamps. In line with non-directional lamps, terms like 'energy saving' may only be used for directional lamps with energy class A or higher. This constraint applies to the packaging and all public websites.



Old



New

A<sup>+</sup>  
EEL

Catalogue





# Corporate social responsibility

Protecting the environment is something that we're passionate about and an integral part of the way we do business. To reduce the amount of energy our products use, and their CO2 footprint, we invest in the most innovative, energy-efficient technologies.

In fact, we were recognized as one of the top 50 greenest brands in the world by Interbrand (Best Global Green brands 2012).

We care about the things that go into our products too. Since July 1st 2006, the EU Directive on the Restriction of Hazardous Substances (RoHS) has regulated the use of certain materials in electrical and electronic equipment.

Choosing Philips guarantees compliance with all applicable laws. It also offers a wide range of possibilities with lamps that comply with the highest environmental standards.







# Knowledge is **power!**

Remain the expert partner in a technology revolution

Do you get more and more questions about LED lighting solutions from your customers? Would you like to be able to easily and effectively answer their questions regarding LED as well as connected lighting? Or even go a step further, upsell them to LED?

LED technology is evolving fast and lighting projects are becoming more and more complex.

That's why Philips Lighting Academy offers a wide range of online and offline educational resources that empower lighting professionals to make the most of lighting and help them to stay up to date.

For more information on the available trainings, please visit [www.philips.com/lightingacademy](http://www.philips.com/lightingacademy)

# Colour temperature

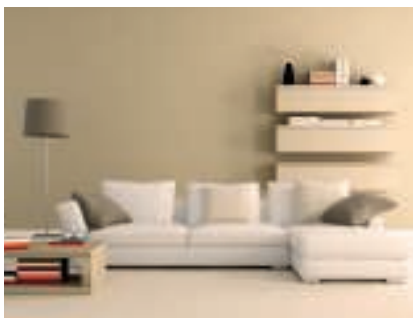
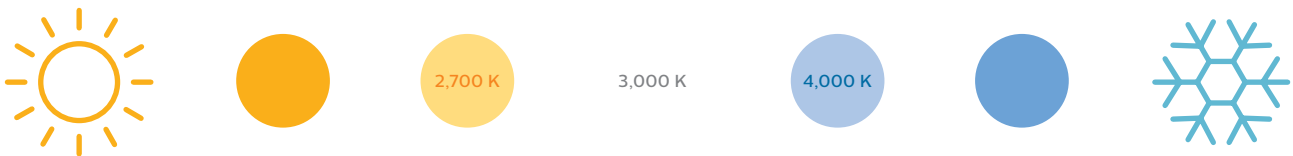
Whether the light emitted from a light source looks Cool or Warm is known as the colour appearance or colour temperature, abbreviated to CCT. It is often shown in sales literature and LED datasheets as degrees Kelvin, K. Just remember, the higher the colour temperature, the Cooler (or more bluish) the appearance of the light.

Warm white LEDs, 2,700 K or 3,000 K, are often used where you want a relaxing light. Typical applications would be homes or restaurants and some of retail with a warm atmosphere / ambience. However, there are cultural and personal preferences, so you should always speak to your client about their particular requirements.

Neutral white LEDs, 4,000 K, are more often used in fast-food restaurants or buildings with lots of glass and steel. LEDs with a CCT of 5,000 and above (Cool white), work better at high levels of illumination – at low levels they can appear dull or grey. Outside, Cool LEDs are good for lighting water features such as fountains. Apart from their greater efficiency, Cool light is associated with nighttime; think how moonlight appears. Incidentally, moonlight is about 4,100 K - 4,200 K.

“The higher the colour temperature, the Cooler (or more bluish) the appearance of the light.”

Remember that Warm LEDs produce slightly less lumen per watt than Cool ones. Similarly, high CRI LEDs produce less light per watt than low CRI.



Warm white - 2,700K

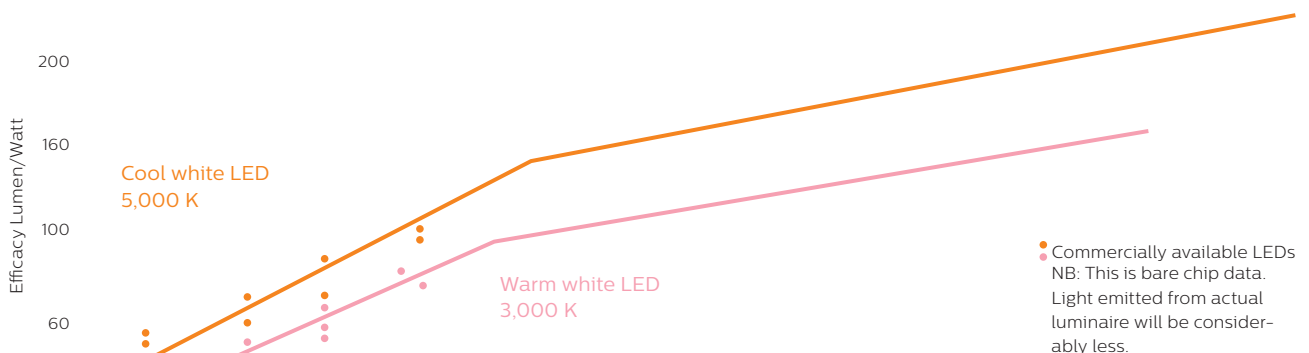


Daylight - 3,000 K



Cool white - 4,000 K

## Difference in light output of Cool and Warm LEDs



# Colour rendering

How well a light source renders the colour – or pigments – in objects and surfaces is denoted by the initials CRI, Colour Rendering Index. It compares the light source, such as an LED, with a reference standard, with the same colour temperature as the light source.

For colour temperatures below 5,000 K, it is compared against a black body radiator, such as a filament lamp. For colour temperatures above 5,000 K, it is compared against a standard daylight spectrum. The comparison was based on eight standard colours and averaged to give the CRI, also known as  $R_a8$ . An alternative for light sources uses 14 colours,  $R_a14$ . This has six additional saturated colours, and gives a better indication of the LED's ability to reproduce colours. In some cases, the rendering of deep red, R9, is specifically mentioned, as red rendering is considered important in several applications. Note that there are various colour rendering assessment methods currently under review by the CIE.

## Specifying the performance of LEDs:

### General Colours - $R_a8$



### Special Colours - $R_a14$



For most applications, a CRI of more than 80 is sufficient, but for paintings and other critical uses visual evaluation is recommended and may be needed a CRI > 90. A more complex method of indicating colour rendering is by using a 'gamut area' diagram. This can show you which particular colours are strong or weak. A single value can never represent the totality of a complex topic like colour rendering. When comparing the colour rendering of light sources, you should look at both the CRI and the Gamut Area Index. White light is normally produced by using a blue chip with a yellow phosphor coating. Sometimes, an RGB chip is used, but this is difficult to dim satisfactorily. Both 'cool' and 'warm' white can be produced by varying the composition of the phosphor. Different values of colour rendering can be obtained by altering the phosphor or the RGB mix. This can be useful where particular colours need to be emphasised such as increased red for meat displays in supermarkets (in some markets it is not acceptable due to regulations).

In some light sources the phosphor is not applied directly into the LEDs, but placed remotely (for instance a cover). This is called remote phosphor. If well designed and manufactured, this can enhance colour rendering and colour stability over life.

Difference in light output of Cool and Warm LEDs			
CIE Colour Rendering Group	CIE General Colour Rendering Index $R_a8$	Accuracy Required	Typical Applications
1A	$R_a > 90$	Critical colour matching	Some art galleries, museums, printing works
1B	$R_a 80 - 90$	Accurate colour judgements required	Offices, hotels, retail where colour is important, private homes
2	80 - 60	Moderate colour rendering required	Storerooms, general office areas
3	60 - 40	True colour recognition of little importance	Most exterior applications
4	40 - 20	Not recommended for colour matching	Exterior car parks



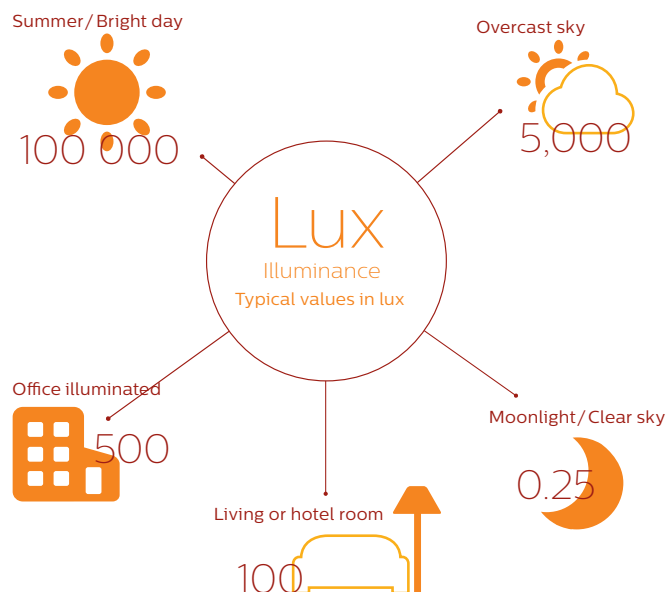
# Lighting units

## Lumen (lm)

This is probably the simplest lighting unit to understand. Apart from wattage, it is one of the first factors to consider in choosing a light source.

Lumen				
	Type	Efficacy	Wattage	Lumen Output
LEDCandle		78 lm/W	6 W	470 lm
MASTER LEDspots LV MR16 GU5.3		53 lm/W	7 / 10 W	370 lm / 470 lm
MASTER LEDtube GA110		82 lm/W	10 W	825 lm
MASTER Colour CDM Elite		97 lm/W	35 W	3.800 lm
MASTER SON-T		141.5 lm/W	400 W	56.500 lm

## Typical illuminance values:







## Luminance (cd/m<sup>2</sup> or nit)

Luminance is often called the 'objective brightness' of a surface because it can be measured and specified, whereas brightness is a subjective impression that varies depending on various factors. Luminance expresses how much light reaches the viewer's eyes. This light may be emitted, reflected, or transmitted by a surface in a specific direction (for example, from an area light source, such as a fluorescent lamp, surface, or diffuser). It is expressed in candelas per square metre (or intensity per unit area).

A surface can appear bright or dark depending on what else is in view (the visual field). Our eyes adjust to the brightest object in view. During the day we are used to high levels of brightness from the sun and sky; a car headlamp may not appear very bright. At night-time, when we are adapted to darkness and low levels of illumination, the same headlamp will appear very bright, maybe even glaring. Of course, the car headlamp has not changed, only our level of adaption.

Luminance can be difficult to quantify because it can vary by the angle of view. Note that the way light reflects from a surface depends on the texture, reflectance, and colour of the surface (think of white paper, polished silver, glossy black paint, or rough fabric). As mentioned, although luminance can be difficult to measure, computer modelling programs can be used to calculate luminance. Common uses of luminance include characterizing luminaires and room surfaces to avoid glare, recommending lighting for roadways as well as some specific applications such as advertising and exit signs, and video and computer screens.

Luminance applies to light sources that are not a single point. A good example is a 600 mm x 600 mm (2' x 2') LED ceiling panel used to light offices. The luminance will alter depending on what angle you look at it. Portable luminance meters are available but they are for lighting specialists.

Luminance		
Surface	Luminance cd/m <sup>2</sup>	
Motorway junction	1 - 2	
Well-lit office wall	10 - 30	
Computer screen	100 - 250	
Surface of full moon	2.500	

## Luminous intensity (Candela cd)

The luminous intensity of a light source is the power of light. It is defined in a given direction and is measured in candela, cd and specifies the luminous intensity in one specific angle from a light source.

The scientific definition of the candela is the luminous intensity, in a given direction, of a source that emits monochromatic radiation of frequency 540 x 10<sup>12</sup> Hertz and that has a radiant intensity in that direction of 1/683 watt per steradian.





LED bulbs ↗

				
SceneSwitch LED Lamps 28	MASTER LEDbulbs 31	Classic filament LED Lamps 33	Classic frosted LED Lamps 37	CorePro LEDbulbs 39

LED spots ↗

				
MASTER LEDspot ExpertColor LV 42	MASTER LEDspot ExpertColor MV 44	MASTER VALUE LEDspot LV 47	MASTER VALUE LEDspot MV 50	MASTER LEDspot LV AR111 52

LED candles and lusters ↗

				
MASTER LEDspot PAR 54	CorePro LEDspot LV 56	CorePro LEDspot MV 58	MASTER LED candles and lusters 61	CorePro LED candles and lusters 63

LED capsules and specials ↗

				
Standard LED candles & lusters 65	CorePro LEDcapsule LV 66	CorePro LEDcapsule MV 67	CorePro LEDlinear MV 68	CorePro LED PLC 70

LED PL lamps ↗

LED HID replacement ↗

				
CorePro LED PLL 72	TrueForce LED Public (Urban/Road - HPL/SON) 73	TrueForce LED Industrial and Retail (Highbay - HPI/SON/HPL) 74	MASTER LEDtube Universal T8 75	MASTER LEDtube InstantFit HF T5 76

LED tubes ↗

				
MASTER LEDtube InstantFit HF T8 78	MASTER LEDtube EM/Mains T8 81	CorePro LEDtube InstantFit HF 84	CorePro LEDtube EM/Mains T8 85	Other LEDtube 86

# There's **innovation** in the air!

01



Airflux technology enables constant cooling of the LEDs ensuring the highest light quality and colour. AirFlux technology leaves more space for the best optical lenses (since the ventilator is taken out). It ensures no shadowing effects, and a smooth, inclusion-free beam that high-end applications need.

- High Performance Dimming
- DimTone
- Longest lifetime
- Superior light quality
- Maximum energy savings



## Unique '**DimTone**' dimming

The light gets warmer when dimmed  
(from 2200 K to 2700 K)



DimTone takes LEDlamp dimming to an exciting new level, creating a pleasant, warm 'sunset' effect as the light is dimmed. Regular LEDlamp dimming reduces the intensity of the light output but not the colour temperature, which remains constant throughout the dimming process. And this is perfectly sufficient for many applications. But now, with DimTone, the colour temperature is also reduced as the lamp is dimmed. This creates a warm, intimate lighting effect at lower intensities, identical to the 'sunset' effect of a dimmed halogen or incandescent lamp. This means that hoteliers, bar and restaurant owners can now take advantage of energy-efficient LED lighting and still create a natural, cosy ambience when the light is dimmed.



# Features to check before retrofitting

01



Retrofitting lamps into existing luminaires is a quick and easy way to save energy. It is quite often possible to improve the quality of the light at the same time. Quality LEDs can give you the best of both worlds.

## Lamp cap / Base

If you want to save energy, smaller wattage lamps are available with a range of different caps / bases. The pins can be a different diameter or a distance apart. Similarly, screw bases are available in different diameters, e.g., E14 and E27. In the UK, bayonet caps are available in two different sizes. Some of the 'pins' are quite similar to look at, so you should check for the exact one. This information is often given on the fixture housing.

Typical lamp caps available in the market:			
E14	E27	GU5.3	G4
GU10	SBC	BC	G53

## Dimming

Does the installation have a dimming system? If so, you need the LED retrofit to be compatible. Not all LED retrofit lamps are dimmable. Note that some dimmable LEDs are physically larger than non-dimming ones. If the existing installation does not have a dimmable system, it may be worthwhile installing dimming lamps so that the client can introduce a dimming system at a later date and save additional energy. Some LED retrofit lamps will work on almost all dimmers, but others will only on some. You should always check compatibility with the dimming system before installing retrofit lamps. Check whether that the LED can dim to a low level since some will start to flicker around below 30% output.

"Some LED retrofit lamps will work on almost all dimmers, others only on some"

## Transformer compatibility

If the existing lamps are fed from a transformer, you should check the output voltage and whether the retrofit is compatible. Some electronic transformers require a minimum load to operate. Philips MASTER LED has patented electronic technology, which means that their LED retrofit lamps will operate with electronic transformers. Some other brands of LED retrofit will not work with electronic transformers.

Reputable manufacturers will be able to advise you on transformer/lamp compatibility. As a general point, whenever you use transformers or retrofit LED lamps with inbuilt transformers, you should check compatibility with the dimming system.

## Physical dimensions

Although the lamp cap might be correct, not all retrofit lamps are the same physical size. You need to make sure that the retrofit lamp will actually fit inside the light fitting. In recessed downlights, you should check that the lamp support mechanism accepts the retrofit.

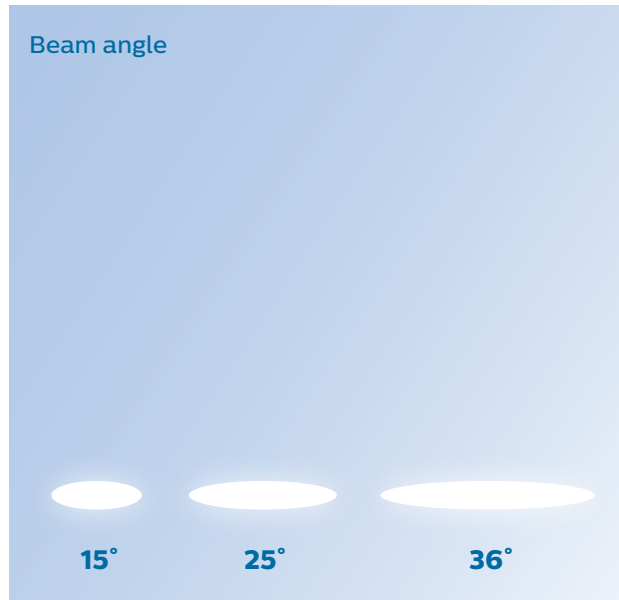
## Appearance and light effect

The LED retrofit lamp should look good inside the fixture, and deliver the desired light effect. In some cases, individual LEDs can be seen. Is a sparking effect important (candles)? Ideally always test it before making a choice. Seeing is believing.

## Beam angle

The spread of light from the fixture or lamp is known as the beam angle. LED retrofit lamps come with different beam angles allowing you to choose the effect you want in the room. Narrow angle spotlights are used for accent lighting of paintings, sculptures, notice boards or particular areas in a room. A typical narrow beam angle might be between 12–24 degrees. Lamps used for more general lighting would be between 35–40 degrees or even wider.

LEDs tend to have a sharper edge to the beam than incandescent, giving a crisp appearance. A good way of deciding which beam angle to choose is to try them side by side or in the same position as the old lamp.



## Life / Maintenance

One big advantage of LEDs over conventional lamps is their long life. This is especially important where lamps are difficult to replace, or where failed lamps cause danger or serious dissatisfaction. The packaging for the LED should give the expected life of the LEDs and also the number of times it can be switched. This is useful to know where the LEDs are controlled with a timer or movement sensor.

Future legislation in Europe will limit the amount of colour deviation allowed over the lifetime of the LED lamp. Ask your supplier for data showing how the colour appearance may change over time.

Remember that the light output from an LED lamp (just like all other light sources), reduces over time.

# High Performance Dimming

Thanks to High Performance Dimming you will enjoy smooth, flicker-free dimming. MASTER LEDlamps have been tested with all the major dimmer brands in the market.

- broad dimmer compatibility supporting a wide range of normal phase-cut dimmers: wall box dimmers, panels, plug-in unit phase-cut dimming
- high dimming performance: smooth dimming curve, deeper dimming level, one to multiple lamps

**Note:** To ensure high dimming performance with the MASTER LEDspot MV GU10 8 W these lamps should not be connected with other lamp types on the same dimmer ('mixed load').

## TransforMax (patented)

First class halogen transformer compatibility thanks to intelligent electronics within low voltage LEDlamps.

Philips designed a unique (patent protected) intelligent driver concept for low voltage (12 V) LEDlamps, which enables broad compatibility with existing electronic and electromagnetic Halogen transformers. Therefore, Philips low voltage (12 V) LEDlamps universally replace 12 V Halogen spot lamps with unique first class transformer compatible electronics. This technology is called TransforMax which enables the lamp to work on most sockets – a simple 'plug & play' retrofit solution.

### Without dimmer

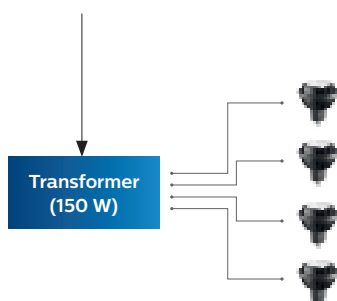
$$\frac{20\% \text{ of Transformer rating}}{(20\% \times 150 \text{ W} = 30 \text{ W})}$$

LED Wattage (7 W)

=

Branch Max (4.3)

4 lamps per transformer



### With dimmer

In case dimmable low voltage LEDlamps have to be connected to a dimmer, the following approach has to be followed:

- 1) Determine the max loading of both your transformer(s) and your dimmer: in Watts (W).
- 2) Use the ratios below to determine a 'System Max' and 'Branch Max'
- 3) Limit total lamps you can install by 'System Max'...
- 4) ...and ensure transformer load is sufficient to allow for each individual 'Branch'

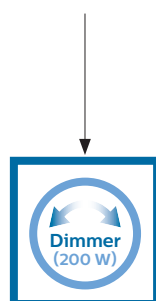
$$\frac{\text{Dimmer Rating}}{(300 \text{ W})}$$

Transformer Wattage (150 W)

=

System Max (2)

2 transformers per dimmer



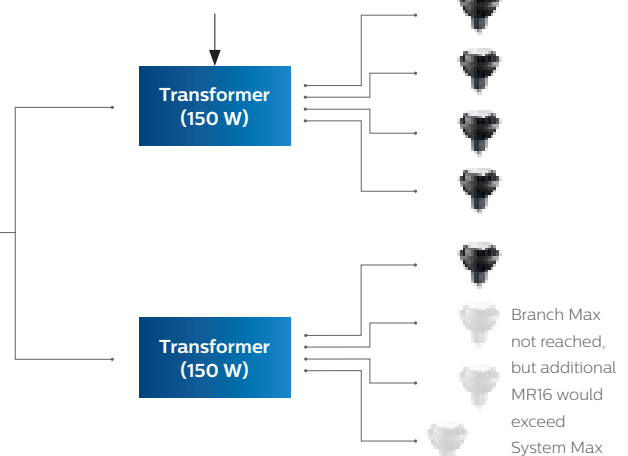
$$\frac{20\% \text{ of Transformer rating}}{(20\% \times 150 \text{ W} = 30 \text{ W})}$$

LED Wattage (7 W)

=

Branch Max (4.3)

4 lamps per transformer



**Note:** Electronic Dimmers that cannot meet the loading rule will be specified in dedicated application note ([www.philips.com/masterledlamps](http://www.philips.com/masterledlamps)).



Please refer to the site [www.philips.com/masterledlamps](http://www.philips.com/masterledlamps) for the latest information about transformer compatibility.



A photograph of a modern hotel lobby. In the center, a concierge desk with a dark wood finish and a black top stands. A male concierge in a dark suit and white shirt is smiling behind the desk. A sign on the desk reads "CONCIERGE". Above the desk is a large, rectangular, illuminated chandelier with a textured, metallic finish and a fringe of small lights. The walls are covered in dark wood paneling. In the foreground, a bright green armchair with a white and grey patterned pillow is visible. The floor is made of light-colored tiles with a black and orange geometric pattern. The text "MASTER versus CorePro" is overlaid in white on the image.

**MASTER** versus  
CorePro





		<b>MASTER</b>	<b>CorePro</b>
General	Warranty*	Up to 5 years	Up to 3 years
	Lifetime	Longest lifetime	Long lifetime
	Dimmable	High Performance Dimming	Yes
* Can vary per product category			
LEDspot	Beam angle	Extensive choice; accent beams	Limited choice
	Colour temperature	Extensive choice	Limited choice
	High Performance dimming	Yes	No
LEDbulb	Light all around	Yes	No
	High Performance dimming	Yes	No
LEDcandle	Clear / frosted	Clear for sparkling light	Frosted
	Lumen package	High lumens	Standard lumens
	DiamondSpark	Yes	No
LEDluster	Clear / frosted	Clear for sparkling light	Frosted
	Lumen package	High lumens	Standard lumens
	DiamondSpark	Yes	No
LEDtube	Rotating endcap	Yes	No
	Electronic ballast compatibility: InstantFit	Yes	No
	Lumen package	High lumens	Standard lumens



## SceneSwitch LED Lamps



### Switch light settings without switching bulbs

Some situations call for cool light, others benefit from the ambiance of a warm cozy glow. With Philips SceneSwitch LED lamps, you can have different light settings from just one bulb, candle or spot. And you don't need a dimmer! Optimize your lighting for relaxing, hobbies, recreation or working. Simply at the flick of a switch. And that's your existing switch! No extra installation is required.

#### Benefits

- Create your own scene with one lamp simply using your existing light switch

- No dimmer or additional installation needed
- Auto memory: recall your last setting automatically

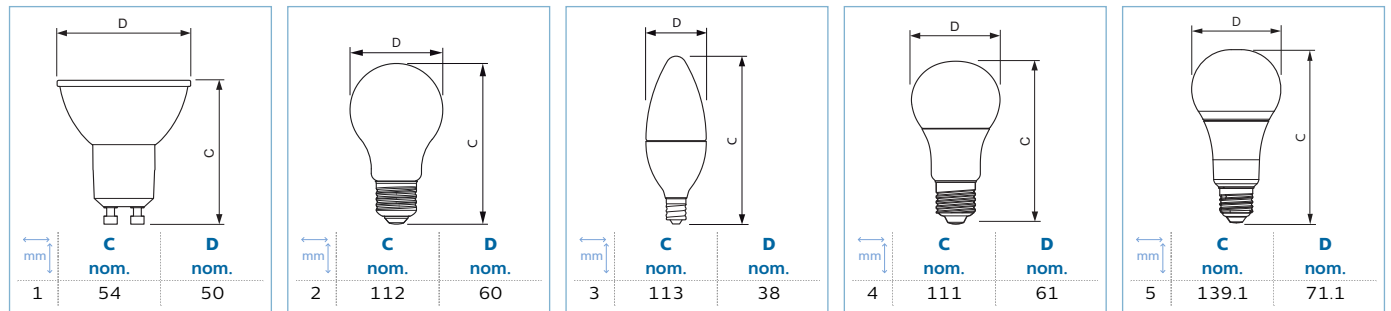
#### Features

- Multiple light settings in one lamp
- Plug and play
- Built-in memory chip
- Available in bulb, candle and spot versions

#### Application

- Indoor applications in open luminaires (with an open/free air gap of min. 10 mm)
- Accent and general lighting (e. g. hotels, shops and offices)

01



### LED Scene Switch 220-240V

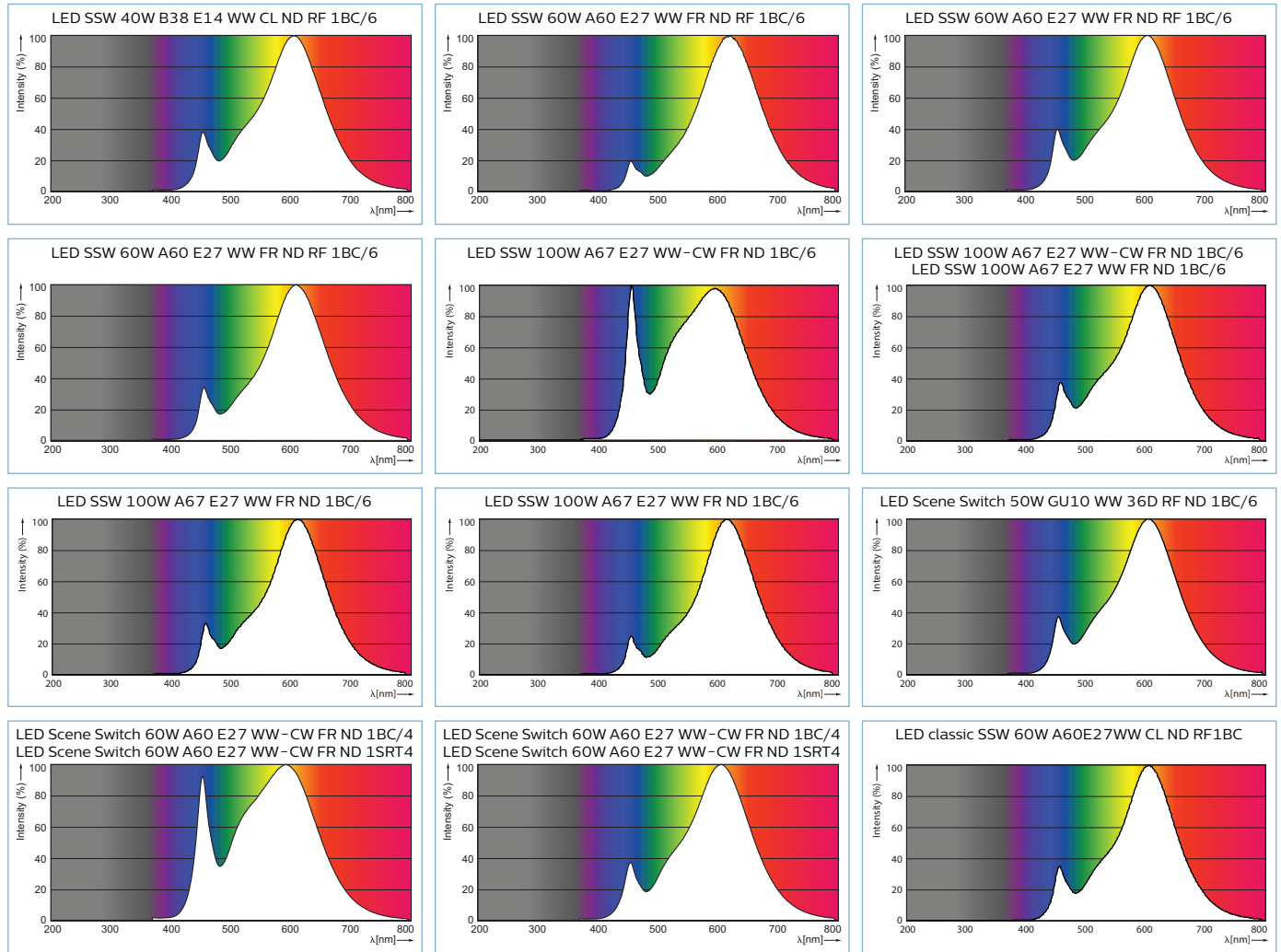
Power (Rated) Setting(s)/± replaces	Bulb Shape	Correlated Color Temperature Setting(s)	Beam Angle	Luminous Flux (Rated) Setting(s)	Luminous Intensity	Luminous Efficacy (Rated)	Rated Lifetime	Switching Cycle	mm	EAN-1		
(W)		(K)	(°)	(lm)	(cd)	(lm/W)	(h)					
1.5/3.5/5	GU10	PAR16	2,700/2,500/2,200	36	345	600	69.00	15,000	No	50000X	1	8718696710937
1.6/3/7.5	E27	A60	2,200/2,500/2,700		150/320/806		107.47	15,000	No	20000X	2	8718696743096
5.5/4/2 ± 40	E14	B38	2,700/2,500/2,200		470/190/50		85.00	15,000	No	100000X	3	8718696598474
8/5/2 ± 60	E27	A60	2,700/2,500/2,200		806/320/80		100.75	15,000	No	100000X	4	8718696588840
9.5 ± 60	E27	A60	2,700/4,000		806		84.84	15,000	No	100000X	4	8718696598375
14 ± 100	E27	A67	2,700/4,000		1,521		108.00	15,000	No	100000X	5	8718696706831
14/7/3.5 ± 100	E27	A67	2,700/2,500/2,200		1,521/600/150		108.00	15,000	No	100000X	5	8718696706794

Commercial product name	Energy Class	National Lamp Fee <sup>1</sup>	Net Trade Price per Piece (€ net)	National Discount Group	EAN-1	
LED SSW 40W B38 E14 WW CL ND RF 1BC/6	A+	6	fee relevant	6,70	L6	8718696598474
LED SSW 60W A60 E27 WW FR ND RF 1BC/6	A+	6	fee relevant	7,50	L6	8718696588840
LED SSW 100W A67 E27 WW-CW FR ND 1BC/6	A+	6	fee relevant	11,10	L6	8718696706831
LED SSW 100W A67 E27 WW FR ND 1BC/6	A+	6	fee relevant	11,10	L6	8718696706794
LED Scene Switch 50W GU10 WW 36D RF ND 1BC/6	A+	6	fee relevant	6,70	L6	8718696710937
Z LED Scene Switch 60W A60 E27 WW-CW FR ND 1BC/4	A+	4	fee relevant	7,50	L6	8718696598375
LED Scene Switch 60W A60 E27 WW-CW FR ND 1SRT4	A+	4	fee relevant	7,50	L6	8718696598375
LED classic SSW 60W A60E27WW CL ND RF1BC	A+	6	fee relevant	8,80	L6	8718696743096

<sup>1</sup> Product fee relevant according local regulation

Z = available until stock lasts

## Spectral power distribution



## The clear **classic** goes LED

The incandescent bulb may be a thing of the past, but its sparkling warmth and beautiful shape has never gone out of style. Now you can recreate that look and feel with MASTER LEDbulb Clear 6-40W, the first LED bulb to produce a magical, nostalgic ambience. The unique lens design creates a sparkling clear white light with smooth dimming and incredible scene setting. For 25,000 hours of elegant atmosphere that looks like incandescent, but lasts like LED.



# Style has nothing to hide



## MASTER LEDbulbs



### Elegance meets efficiency

The MASTER LEDbulb range delivers a dimmable glow effect for a welcoming, warm atmosphere, making it ideal for general lighting applications in the hospitality industry. Its unique design radiates warm light in all directions, making it a true alternative to incandescent lamps. They are particularly suitable for public areas such as lobbies, corridors, stairwells, where the light is always on. Compatible with existing fixtures with an E27 holder and designed for retrofit replacement of incandescent bulbs, MASTER LEDbulb delivers huge energy savings and minimizes maintenance cost without any compromise on light quality. They can be used together with most leading-edge dimmers, enabling further efficiencies while helping to create the desired atmosphere.

#### Benefits

- Easy (retrofit) replacement ideal for general lighting applications

- Unique design and light effect that mimics the light quality of incandescent lamps
- Up to 80% energy saving compared with traditional incandescent lamps

#### Features

- The gradual dimming feature enables light levels to dim to warm tones of traditional lamps
- Dimmable range that is compatible with an extensive range of dimmers
- Lifetime of 25,000 hours
- High CRI (CRI 90)
- UV- and IR-free light

#### Application

- Hotels, restaurants, bars, cafés
- Lobbies, corridors, stairwells, reception areas

#### Warnings and Safety

- Operating temperature range is between -20 °C and 45 °C ambient
- Only to apply in dry or damp locations and most of open fixtures with lamp-holders that offer sufficient space (10 mm free air space)
- Not intended for use with emergency light fixtures or exit lights



	C nom.	D nom.
1	110.0	60.0
2	137.2	70.6

	C nom.	D nom.
3	110	60

	C nom.	D nom.
4	110	60

### MASTER LEDbulb 220-240V E27

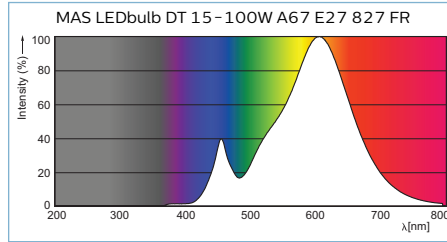
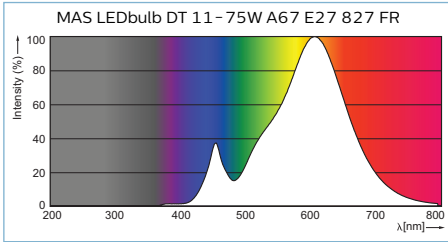
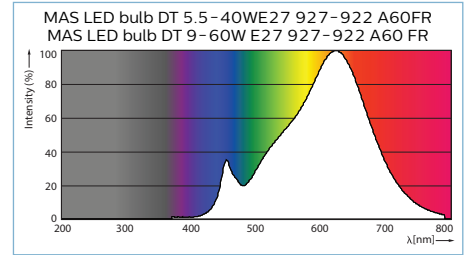
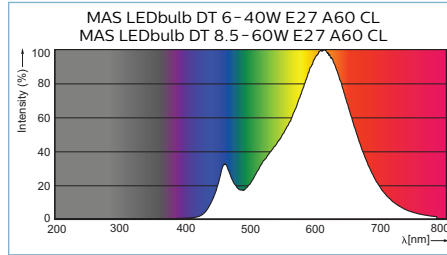
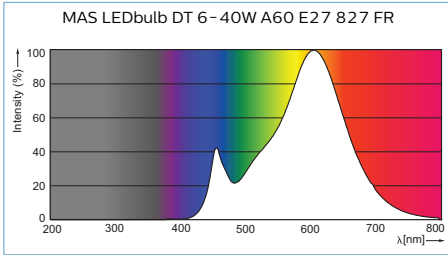
Power (Rated) ≅ replaces (W)	Bulb Shape	Correlated Color Temperature (K)	Luminous Flux (Rated) (lm)	Luminous Efficacy (Rated) (lm/W)	Rated Lifetime (h)	Switching Cycle	mm	EAN-1	
5.5 ± 40	A60	2,200-2,700	470	85.45	25,000	Yes	100000X	1	8718696707098
6 ± 40	A60	2,200-2,700	470	78.00	25,000	Yes	50000X	3	8718696577912
6 ± 40	A60	2,200-2,700	470	78.00	25,000	Yes	50000X	3	8718696481288
8.5 ± 60	A60	2,200-2,700	806	94.00	25,000	Yes	50000X	1	8718696481325
9 ± 60	A60	2,200-2,700	806	89.56	25,000	Yes	100000X	4	8718696707111
11 ± 75	A67	2,200-2,700	1,055	96.00	25,000	Yes	50000X	2	8718696555514
15 ± 100	A67	2,200-2,700	1,521	101.00	25,000	Yes	50000X	2	8718696555552

Commercial product name		National Lamp Fee <sup>1</sup>	Net Trade Price per Piece (€ net)	National Discount Group	EAN-1
MAS LED bulb DT 5.5-40WE27 927-922 A60FR	A+ 10	fee relevant	5,70	L1	8718696707098
Z MAS LEDbulb DT 6-40W A60 E27 827 FR	A+ 10	fee relevant	3,80	L1	8718696577912
MAS LEDbulb DT 6-40W E27 A60 CL	A+ 10	fee relevant	3,60	L1	8718696481288
MAS LEDbulb DT 8.5-60W E27 A60 CL	A+ 10	fee relevant	4,80	L1	8718696481325
MAS LED bulb DT 9-60W E27 927-922 A60 FR	A+ 10	fee relevant	7,10	L1	8718696707111
Z MAS LEDbulb DT 11-75W A67 E27 827 FR	A+ 6	fee relevant	9,40	L1	8718696555514
Z MAS LEDbulb DT 15-100W A67 E27 827 FR	A+ 6	fee relevant	11,50	L1	8718696555552

<sup>1</sup> Product fee relevant according local regulation

Z = available until stock lasts

## Spectral power distribution





## Classic filament LED Lamps



### Classic LED filament lamps for decorative lighting

Featuring a classic heritage design, Classic filament LED Lamps combine the familiar shapes of classic incandescent bulbs with the benefits of the long lasting LED technology. They deliver beautiful, decorative warm-white light while saving around 90% on energy costs compared with traditional light bulbs.

#### Benefits

- Around 90% energy saving
- Very long lifetime that reduces the need for replacement
- Easy replacement of classic conventional lamps

#### Features

- Heritage design with classic shape
- Designed to be seen, they look good on and off
- Perfect fit and high quality finishing
- High color rendering (CRI > 80) for vivid colors
- Environmentally friendly: contains no mercury or other hazardous substances

#### Application




- Perfect for decorative installations
- Domestic applications
- Hospitality: restaurants and hotels

01





<p>C nom. 97 mm D nom. 35 mm</p>	<p>C nom. 123 mm D nom. 35 mm</p>	<p>C nom. 80 mm D nom. 45 mm</p>	<p>C nom. 97 mm D nom. 35 mm</p>	<p>C nom. 78 mm D nom. 45 mm</p>	<p>C nom. 80 mm D nom. 45 mm</p>
<p>C nom. 78 mm D nom. 45 mm</p>	<p>C nom. 103 mm D nom. 35 mm</p>	<p>C nom. 102 mm D nom. 35 mm</p>	<p>C nom. 85 mm D nom. 45 mm</p>	<p>C nom. 92 mm D nom. 45 mm</p>	<p>C nom. 80 mm D nom. 45 mm</p>
<p>C nom. 101.5 mm D nom. 45 mm</p>	<p>C nom. 97 mm D nom. 35 mm</p>	<p>C nom. 104 mm D nom. 60 mm</p>	<p>C nom. 112 mm D nom. 60 mm</p>	<p>C nom. 106 mm D nom. 60 mm</p>	<p>C nom. 104 mm D nom. 60 mm</p>
<p>C nom. 128 mm D nom. 70 mm</p>	<p>C nom. 124 mm D nom. 70 mm</p>	<p>C nom. 140 mm D nom. 64 mm</p>	<p>C nom. 148 mm D nom. 64 mm</p>	<p>C nom. 110 mm D nom. 60 mm</p>	<p>C nom. 89 mm D nom. 45 mm</p>
<p>C nom. 129 mm D nom. 35 mm</p>	<p>C nom. 188 mm D nom. 125 mm</p>	<p>C nom. 140 mm D nom. 95 mm</p>			

## LED Filament 220-240V

Power (Rated) △ replaces (W)	 Bulb Shape	Correlated Color Temperature (K)	Luminous Flux (Rated) (lm)	Luminous Efficacy (Rated) (lm/W)	Rated Lifetime (h)	 Switching Cycle	 mm	EAN - 1		
2 △ 25	E14	B35	2,700	250	125.00	15,000	No	20000X	1	8718696574072
2 △ 25	E14	BA35	2,700	250	125.00	15,000	No	20000X	2	8718696574096
2 △ 25	E14	P45	2,700	250	125.00	15,000	No	20000X	3	8718696574133
2 △ 25	E14	ST35	2,700	250	125.00	15,000	No	20000X	4	8718696574119
2 △ 25	E27	P45	2,700	250	125.00	15,000	No	20000X	5	8718696574157
2.2 △ 25	E14	B35	2,700	250	113.64	15,000	No	20000X	1	8718696706374
2.2 △ 25	E14	BA35	2,700	250	113.64	15,000	No	20000X	2	8718696706497
2.2 △ 25	E14	P45	2,700	250	113.64	15,000	No	20000X	6	8718696706411
2.2 △ 25	E27	P45	2,700	250	113.64	15,000	No	20000X	7	8718696706459
2.7 △ 25	E14	B35	2,700	250	92.59	15,000	Yes	20000X	8	8718696709801
2.7 △ 25	E14	P45	2,700	250	92.59	15,000	Yes	20000X	10	8718696709863
2.7 △ 25	E27	P45	2,700	250	92.59	15,000	Yes	20000X	12	8718696709887
3 △ 25	E14	G93	2,700	300	100.00	15,000	Yes	20000X	13	8718696581117
4 △ 40	E14	B35	2,700	470	117.50	15,000	No	20000X	14	8718696587294
4 △ 40	E14	P45	2,700	470	117.50	15,000	No	20000X	3	8718696587256
4 △ 40	E27	A60	2,700	470	117.50	15,000	No	20000X	15	8718696573990
4 △ 40	E27	A60	4,000	540	135.00	15,000	No	20000X	17	8718696766989
4 △ 40	E27	A60	6,500	540	135.00	15,000	No	20000X	17	8718696767009
4 △ 40	E27	P45	2,700	470	117.50	15,000	No	20000X	5	8718696587270
4 △ 40	E27	ST64	2,700	470	118.00	15,000	No	20000X	21	8718696574034
4.3 △ 40	E14	B35	2,700	470	109.30	15,000	No	20000X	1	8718696706398
4.3 △ 40	E14	P45	2,700	470	109.30	15,000	No	20000X	6	8718696706435
4.3 △ 40	E27	P45	2,700	470	109.30	15,000	No	20000X	7	8718696706473
4.5 △ 40	E14	P45	2,700	470	104.44	15,000	Yes	20000X	13	8718696575598
4.5 △ 40	E27	A60	2,200-2,700	470	94.00	15,000	Yes	20000X	23	8718696656761
4.5 △ 40	E27	A60	2,700	470	104.44	15,000	Yes	20000X	16	8718696575451
4.5 △ 40	E27	P45	2,700	470	104.44	15,000	Yes	20000X	24	8718696575611
5 △ 35	E14	B35	2,500	410	82.00	15,000	Yes	20000X	9	8718696750841
5 △ 35	E14	BA35	2,500	410	82.00	15,000	Yes	20000X	25	8718696750889
5 △ 35	E14	P45	2,500	410	82.00	15,000	Yes	20000X	11	8718696750865
5 △ 35	E27	P45	2,500	410	82.00	15,000	Yes	20000X	12	8718696750902
5 △ 40	E14	B35	2,700	470	94.00	15,000	Yes	20000X	8	8718696709825
5 △ 40	E14	BA35	2,700	470	94.00	15,000	Yes	20000X	25	8718696709962
5 △ 40	E14	P45	2,700	470	94.00	15,000	Yes	20000X	10	8718696709900
5 △ 40	E27	P45	2,700	470	94.00	15,000	Yes	20000X	12	8718696709924
5.5 △ 40	E27	A60	2,200-2,700	470	85.45	15,000	Yes	20000X	18	8718696709689
5.5 △ 40	E27	A60	2,700	470	94.00	15,000	Yes	20000X	18	8718696709405
7 △ 50	E27	G120	2,000	630	90.00	15,000	Yes	20000X	26	8718696575772
7 △ 50	E27	ST64	2,000	630	90.00	15,000	Yes	20000X	22	8718696575734
7 △ 55	E27	ST64	2,500	720	103.00	15,000	Yes	20000X	22	8718696575710
7 △ 60	E27	A60	2,700	806	115.14	15,000	No	20000X	15	8718696742730
7 △ 60	E27	A60	4,000	850	121.43	15,000	No	20000X	17	8718696767023
7 △ 60	E27	A60	6,500	850	121.43	15,000	No	20000X	17	8718696767047
7 △ 60	E27	G93	2,700	806	115.14	15,000	No	20000X	27	8718696742716
7 △ 60	E27	ST64	2,700	806	115.00	15,000	Yes	20000X	22	8718696575697
7 △ 60	E27	ST64	2,700	806	115.14	15,000	No	20000X	21	8718696742754
7.5 △ 48	E27	A60	2,000	610	81.33	15,000	Yes	20000X	18	8718696709566
7.5 △ 60	E27	A60	2,200-2,700	806	100.75	15,000	Yes	20000X	23	8718696656808
8 △ 60	E27	A60	2,200-2,700	806	100.75	15,000	Yes	20000X	18	8718696709726
8 △ 60	E27	A60	2,700	806	107.47	15,000	Yes	20000X	18	8718696709443
8 △ 60	E27	ST64	2,200-2,700	806	100.75	15,000	Yes	20000X	21	8718696709764
8 △ 75	E27	A60	2,700	1,055	131.88	15,000	No	20000X	18	8718696742594
8 △ 75	E27	A60	4,000	1,055	131.88	15,000	No	20000X	18	8718696742617
8 △ 75	E27	A60	6,500	1,055	131.88	15,000	No	20000X	17	8718696767061
10 △ 100	E27	A67	6,500	1,521	152.10	15,000	No	20000X	19	8718696767085
11 △ 100	E27	A70	2,700	1,521	138.27	15,000	No	20000X	20	8718696742655
11 △ 100	E27	A70	4,000	1,521	138.27	15,000	No	20000X	20	8718696742679



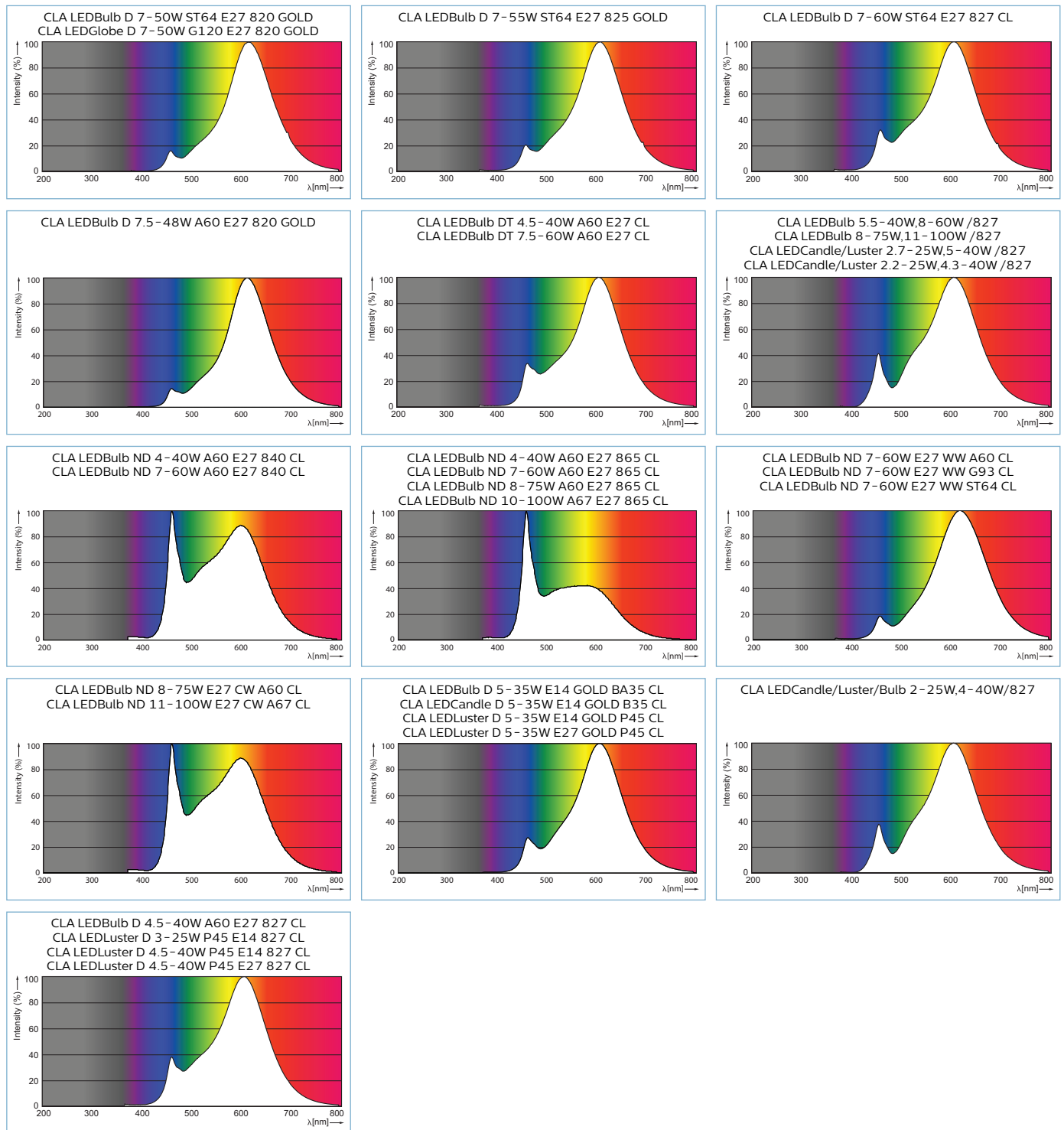
	Commercial product name			National Lamp Fee <sup>1</sup>	Net Trade Price per Piece (€ net)	National Discount Group	EAN - 1
Z	CLA LEDBulb D 4.5-40W A60 E27 827 CL	A++	10	fee relevant	5,40	L6	8718696575451
	CLA LEDBulb D 5-35W E14 GOLD BA35 CL	A+	10	fee relevant	6,40	L6	8718696750889
	CLA LEDBulb D 5.5-40W A60 E27 827 CL	A+	10	fee relevant	5,40	L6	8718696709405
	CLA LEDBulb D 7-50W ST64 E27 820 GOLD	A+	6	fee relevant	9,90	L6	8718696575734
	CLA LEDBulb D 7-55W ST64 E27 825 GOLD	A+	6	fee relevant	9,90	L6	8718696575710
	CLA LEDBulb D 7-60W ST64 E27 827 CL	A++	6	fee relevant	8,60	L6	8718696575697
	CLA LEDBulb D 7.5-48W A60 E27 820 GOLD	A+	10	fee relevant	7,50	L6	8718696709566
	CLA LEDBulb D 8-60W A60 E27 827 CL	A+	10	fee relevant	5,40	L6	8718696709443
Z	CLA LEDBulb DT 4.5-40W A60 E27 CL	A++	10	fee relevant	6,70	L6	8718696656761
	CLA LEDBulb DT 5.5-40W A60 E27 CL	A+	10	fee relevant	6,70	L6	8718696709689
Z	CLA LEDBulb DT 7.5-60W A60 E27 CL	A+	10	fee relevant	7,90	L6	8718696656808
	CLA LEDBulb DT 8-60W A60 E27 CL	A+	10	fee relevant	7,90	L6	8718696709726
	CLA LEDBulb DT 8-60W ST64 E27 CL	A+	10	fee relevant	8,60	L6	8718696709764
	CLA LEDBulb ND 4-40W A60 E27 840 CL	A++	10	fee relevant	3,60	L6	8718696766989
	CLA LEDBulb ND 4-40W A60 E27 865 CL	A++	10	fee relevant	3,60	L6	8718696767009
	CLA LEDBulb ND 7-60W A60 E27 840 CL	A++	10	fee relevant	4,30	L6	8718696767023
	CLA LEDBulb ND 7-60W A60 E27 865 CL	A++	10	fee relevant	4,30	L6	8718696767047
	CLA LEDBulb ND 7-60W E27 WW A60 CL	A++	10	fee relevant	4,30	L6	8718696742730
	CLA LEDBulb ND 7-60W E27 WW G93 CL	A++	6	fee relevant	5,80	L6	8718696742716
	CLA LEDBulb ND 7-60W E27 WW ST64 CL	A++	10	fee relevant	5,80	L6	8718696742754
	CLA LEDBulb ND 8-75W A60 E27 865 CL	A++	10	fee relevant	6,10	L6	8718696767061
	CLA LEDBulb ND 8-75W E27 CW A60 CL	A++	10	fee relevant	6,10	L6	8718696742617
	CLA LEDBulb ND 8-75W E27 WW A60 CL	A++	10	fee relevant	6,10	L6	8718696742594
	CLA LEDBulb ND 10-100W A67 E27 865 CL	A++	10	fee relevant	9,80	L6	8718696767085
	CLA LEDBulb ND 11-100W E27 CW A67 CL	A++	10	fee relevant	9,80	L6	8718696742679
	CLA LEDBulb ND 11-100W E27 WW A67 CL	A++	10	fee relevant	9,80	L6	8718696742655
	CLA LEDCandle D 2.7-25W B35 E14 827 CL	A++	10	fee relevant	4,20	L6	8718696709801
	CLA LEDCandle D 5-35W E14 GOLD B35 CL	A+	10	fee relevant	6,40	L6	8718696750841
	CLA LEDCandle D 5-40W B35 E14 827 CL	A+	10	fee relevant	5,00	L6	8718696709825
	CLA LEDCandle D 5-40W BA35 E14 827 CL	A+	10	fee relevant	5,00	L6	8718696709962
	CLA LEDCandle ND 2-25W B35 E14 827 CL	A++	10	fee relevant	2,70	L6	8718696574072
	CLA LEDCandle ND 2-25W BA35 E14 827 CL	A++	10	fee relevant	2,70	L6	8718696574096
	CLA LEDCandle ND 2-25W ST35 E14 827 CL	A++	10	fee relevant	2,70	L6	8718696574119
	CLA LEDCandle ND 2.2-25W B35 E14 FR	A++	10	fee relevant	2,70	L6	8718696706374
	CLA LEDCandle ND 2.2-25W BA35 E14 FR	A++	10	fee relevant	2,70	L6	8718696706497
	CLA LEDCandle ND 4-40W B35 E14 827 CL	A++	10	fee relevant	3,40	L6	8718696587294
	CLA LEDCandle ND 4.3-40W B35 E14 FR	A++	10	fee relevant	3,40	L6	8718696706398
	CLA LEDGlobe D 7-50W G120 E27 820 GOLD	A+	6	fee relevant	10,70	L6	8718696575772
	CLA LEDLuster D 2.7-25W P45 E14 827 CL	A++	10	fee relevant	4,20	L6	8718696709863
	CLA LEDLuster D 2.7-25W P45 E27 827 CL	A++	10	fee relevant	4,20	L6	8718696709887
Z	CLA LEDLuster D 3-25W P45 E14 827 CL	A++	10	fee relevant	4,20	L6	8718696581117
Z	CLA LEDLuster D 4.5-40W P45 E14 827 CL	A++	10	fee relevant	5,00	L6	8718696575598
Z	CLA LEDLuster D 4.5-40W P45 E27 827 CL	A++	10	fee relevant	5,00	L6	8718696575611
	CLA LEDLuster D 5-35W E14 GOLD P45 CL	A+	10	fee relevant	6,40	L6	8718696750865
	CLA LEDLuster D 5-35W E27 GOLD P45 CL	A+	10	fee relevant	6,40	L6	8718696750902
	CLA LEDLuster D 5-40W P45 E14 827 CL	A+	10	fee relevant	5,00	L6	8718696709900
	CLA LEDLuster D 5-40W P45 E27 827 CL	A+	10	fee relevant	5,00	L6	8718696709924
	CLA LEDLuster ND 2-25W P45 E14 827 CL	A++	10	fee relevant	2,70	L6	8718696574133
	CLA LEDLuster ND 2-25W P45 E27 827 CL	A++	10	fee relevant	2,70	L6	8718696574157
	CLA LEDLuster ND 2.2-25W P45 E14 FR	A++	10	fee relevant	2,70	L6	8718696706411
	CLA LEDLuster ND 2.2-25W P45 E27 FR	A++	10	fee relevant	2,70	L6	8718696706459
	CLA LEDLuster ND 4-40W P45 E14 827 CL	A++	10	fee relevant	3,40	L6	8718696587256
	CLA LEDLuster ND 4-40W P45 E27 827 CL	A++	10	fee relevant	3,40	L6	8718696587270
	CLA LEDLuster ND 4.3-40W P45 E14 FR	A++	10	fee relevant	3,40	L6	8718696706435
	CLA LEDLuster ND 4.3-40W P45 E27 FR	A++	10	fee relevant	3,40	L6	8718696706473
	CLA LEDBulb ND 4-40W A60 E27 827 CL	A++	10	fee relevant	3,60	L6	8718696573990
	CLA LEDBulb ND 4-40W ST64 E27 827 CL	A++	10	fee relevant	5,00	L6	8718696574034

<sup>1</sup> Product fee relevant according local regulation

Z = available until stock lasts



## Spectral power distribution



## Classic frosted LED Lamps



### Classic look & feel

Featuring a classic heritage design, LED frosted Classic bulbs deliver beautiful, decorative warm-white light while saving around 90% on energy costs. The familiar shapes of the LED frosted Classic lamps are a perfect fit for your existing fixtures.

#### Benefits

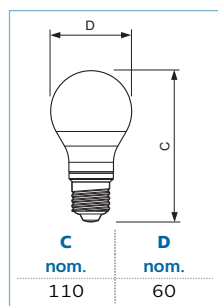
- Around 90% energy saving
- Very long lifetime that reduces the need for replacement
- Easy replacement of classic conventional lamps

#### Features

- Pure and elegant heritage design with classic shape
- Perfect fit and high quality finishing
- High color rendering (CRI > 80) for vivid colors
- Environmentally friendly: contains no mercury or other hazardous substances
- Instant full light on: Philips LED light bulbs provide their full level of brightness immediately upon switching on

#### Application

- Domestic applications
- Hospitality: restaurants and hotels



### 220-240V E27

Type	Power (Rated) △ replaces (W)	Bulb Shape	Correlated Color Temperature (K)	Luminous Flux (Rated) (lm)	Luminous Efficacy (Rated) (lm/W)	Rated Lifetime (h)	Switching Cycle	EAN-1
Classic LEDBulb	4.5 ± 40	A60	2,700	470	104.0	15,000	No	8718696419656
Classic LEDBulb	4.5 ± 40	A60	4,000	470	104.4	15,000	no	8718696705513
Classic LEDBulb	4.5 ± 40	A60	6,500	470	104.4	15,000	no	8718696740620
Classic LEDBulb	7 ± 60	A60	2,700	806	115.0	15,000	No	8718696472187
Classic LEDBulb	7 ± 60	A60	4,000	806	115.1	15,000	no	8718696705438
Classic LEDBulb	7 ± 60	A60	6,500	806	115.1	15,000	no	8718696740644
Classic LEDBulb	8.5 ± 75	A60	2,700	1,055	124.1	15,000	no	8718696705551
Classic LEDBulb	8.5 ± 75	A60	4,000	1,055	124.1	15,000	no	8718696705612
Classic LEDBulb	8.5 ± 75	A60	6,500	1,055	124.1	15,000	no	8718696740606
Classic LEDBulb	11.5 ± 100	A67	2,700	1,521	132.3	15,000	no	8718696739266
Classic LEDBulb	11.5 ± 100	A67	4,000	1,521	132.3	15,000	no	8718696739280
Classic LEDBulb	11.5 ± 100	A67	6,500	1,521	132.3	15,000	no	8718696739303

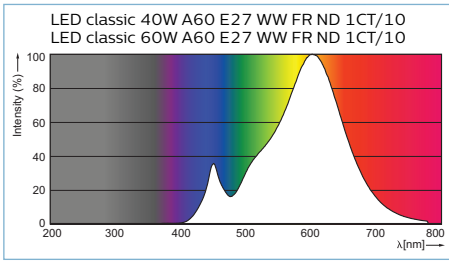
Commercial product name			National Lamp Fee <sup>1</sup>	Net Trade Price per Piece (€ net)	National Discount Group	EAN-1
LED classic 40W A60 E27 CDL FR ND	A++	10	fee relevant	2,10	L6	8718696740620
LED classic 40W A60 E27 CW FR ND	A++	10	fee relevant	2,10	L6	8718696705513
LED classic 40W A60 E27 WW FR ND 1CT/10	A++	10	fee relevant	2,10	L6	8718696419656
LED classic 60W A60 E27 CDL FR ND	A++	10	fee relevant	2,50	L6	8718696740644
LED classic 60W A60 E27 CW FR ND	A++	10	fee relevant	2,50	L6	8718696705438
LED classic 60W A60 E27 WW FR ND 1CT/10	A++	10	fee relevant	2,50	L6	8718696472187
LED classic 75W A60 E27 CDL FR ND	A++	10	fee relevant	3,80	L6	8718696740606
LED classic 75W A60 E27 CW FR ND	A++	10	fee relevant	3,80	L6	8718696705612
LED classic 75W A60 E27 WW FR ND	A++	10	fee relevant	3,80	L6	8718696705551
LED classic 100W A67 CDL FR ND	A++	10	fee relevant	5,40	L6	8718696739303
LED classic 100W A67 CW FR ND	A++	10	fee relevant	5,40	L6	8718696739280
LED classic 100W A67 WW FR ND	A++	10	fee relevant	5,40	L6	8718696739266

<sup>1</sup> Product fee relevant according local regulation

★ = First choice



## Spectral power distribution



## CorePro LEDbulbs



### The affordable LEDbulb solution

CorePro LEDbulbs are compatible with existing fixtures with an E27 or B22 holder and are designed for retrofit replacement of incandescent bulbs. They deliver huge energy savings and minimize maintenance cost. The CorePro LED bulb is the perfect bulb for your basic lighting needs. It provides the beautiful light and dependable performance you expect from LED at an affordable price.

#### Benefits

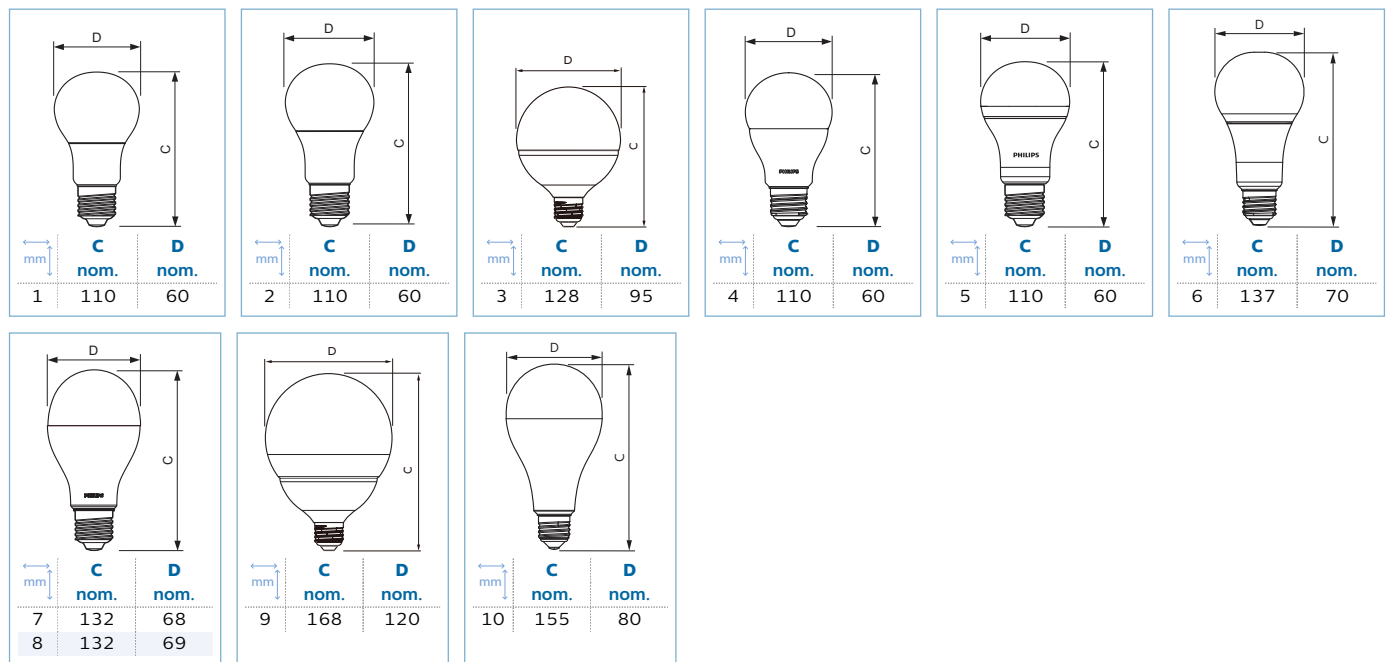
- With a pure and elegant design, this bulb is the perfect replacement for your matted incandescent bulbs
- Up to 80% energy saving
- Lower maintenance costs

#### Features

- Easy retrofit with existing E27 and B22 holders
- Instant full light on: Philips LED light bulbs provide their full level of brightness immediately upon switching on
- Lifetime of 15,000 hours
- Available in 2,700 K, 3,000 K, 4,000 K and 6,500 K
- UV- and IR-free light

#### Application

- Hotels, restaurants, bars, cafés, museums, shops
- Hotel rooms, lobbies, corridors, stairwells, washrooms, reception areas, exhibitions, display cabinets





### CorePro LEDbulb 220-240V E27

Power (Rated) $\triangleq$ replaces (W)	Bulb Shape	Correlated Color Temperature (K)	Luminous Flux (Rated) (lm)	Luminous Efficacy (Rated) (lm/W)	Rated Lifetime (h)	Switching Cycle	mm	EAN-1
5 $\triangleq$ 40	A60	3,000	470	94.00	15,000	No	1	8718696579930
5 $\triangleq$ 40	A60	4,000	470	94.00	15,000	No	1	8718696577790
5 $\triangleq$ 40	A60	6,500	470	94.00	15,000	No	1	8718696577875
5.5 $\triangleq$ 40	A60	2,700	470	85.45	15,000	No	1	8718696577578
5.5 $\triangleq$ 40	A60	2,700	470	85.45	15,000	Yes	1	8718696762660
7.5 $\triangleq$ 60	A60	3,000	806	107.47	15,000	No	1	8718696577714
7.5 $\triangleq$ 60	A60	4,000	806	107.47	15,000	No	1	8718696577776
7.5 $\triangleq$ 60	A60	6,500	806	100.75	15,000	No	1	8718696577851
8 $\triangleq$ 60	A60	2,700	806	100.75	15,000	No	1	8718696577554
8.5 $\triangleq$ 60	A60	2,700	806	94.82	15,000	Yes	2	8718696762707
9.5 $\triangleq$ 60	G93	2,700	806	84.00	15,000	No	3	8718696580639
10 $\triangleq$ 75	A60	4,000	1,055	105.50	15,000	No	4	8718696510322
10.5 $\triangleq$ 75	A60	3,000	1,055	100.00	15,000	No	4	8718696497524
10.5 $\triangleq$ 75	A60	6,500	1,055	105.00	15,000	No	4	8718696497586
11 $\triangleq$ 75	A60	2,700	1,055	95.91	15,000	No	4	8718696490761
11 $\triangleq$ 75	A60	2,700	1,055	95.91	15,000	Yes	5	8718696762745
12.5 $\triangleq$ 100	A60	4,000	1,521	121.68	15,000	No	5	8718696510308
12.5 $\triangleq$ 100	A60	6,500	1,521	121.68	15,000	No	5	8718696577813



More data see next page

## CorePro LEDbulb 220-240V E27

Power (Rated) <sup>±</sup> replaces  (W)	Bulb Shape	Correlated Color Temperature  (K)	Luminous Flux (Rated)  (lm)	Luminous Efficacy (Rated)  (lm/W)	Rated Lifetime  (h)		Switching Cycle	 mm	EAN - 1
13 ± 100	A60	2,700	1,521	117.00	15,000	No	50000X	4	8718696490747
13 ± 100	A60	3,000	1,521	117.00	15,000	No	50000X	4	8718696577677
13.5 ± 100	A67	2,700	1,521	112.67	15,000	Yes	50000X	6	8718696762783
15 ± 100	G93	2,700	1,521	101.00	15,000	No	50000X	3	8718696580615
16 ± 100	A67	2,700	1,521	95.00	15,000	Yes	50000X	7	8718696478752
18 ± 120	A67	4,000	2,000	111.11	15,000	No	50000X	8	8718696701690
18 ± 120	A67	6,500	2,000	111.11	15,000	No	50000X	8	8718696701713
18 ± 120	G120	2,700	2,000	111.00	15,000	No	50000X	9	8718696567593
18.5 ± 120	A67	2,700	2,000	108.11	15,000	No	50000X	8	8718696701676
20 ± 150	A80	4,000	2,500	125.00	15,000	No	50000X	10	8718696770375
20 ± 150	A80	6,500	2,500	125.00	15,000	No	50000X	10	8718696770399
22.5 ± 150	A80	2,700	2,500	111.11	15,000	No	50000X	10	8718696770351

01



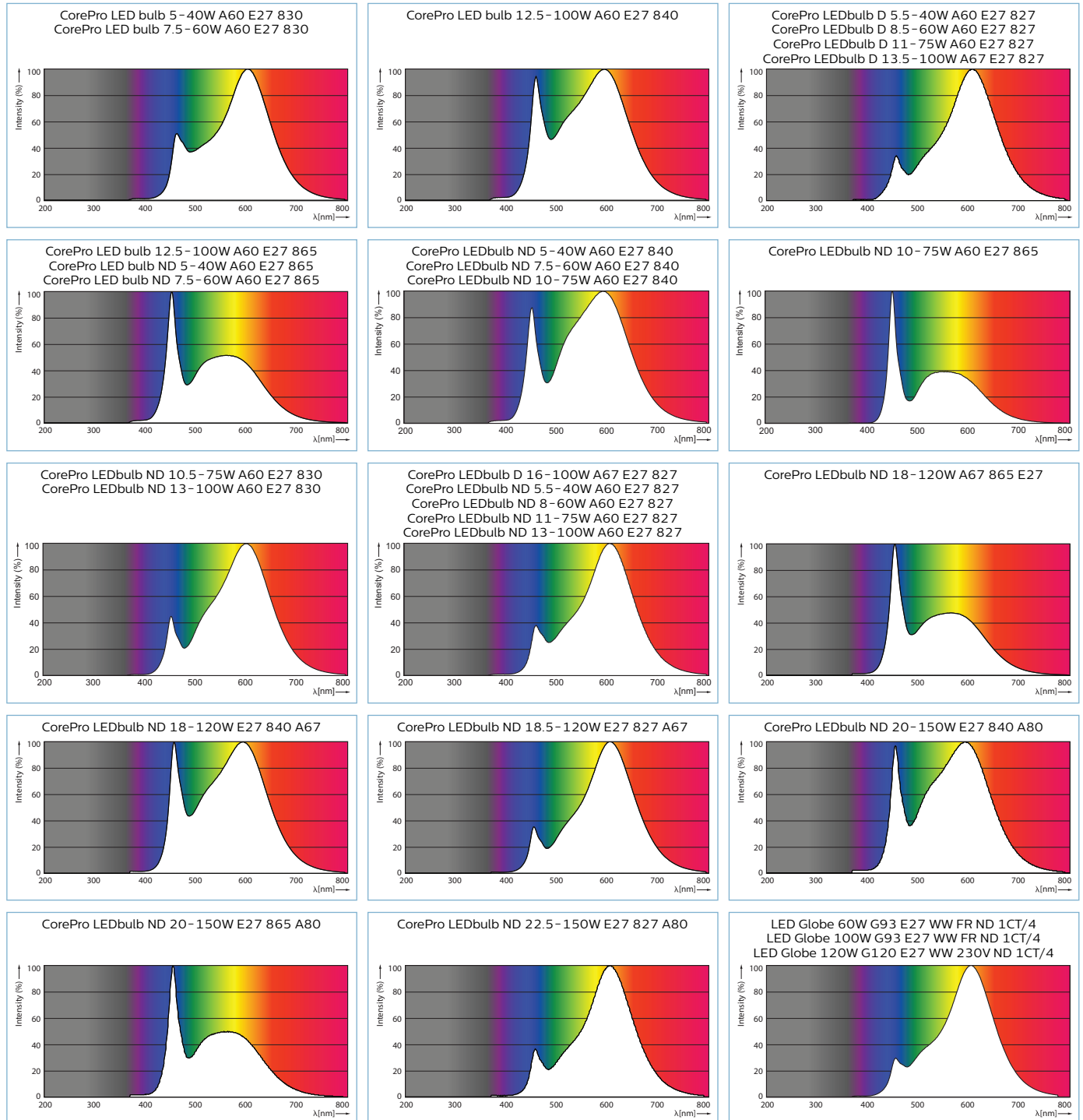
Commercial product name			National Lamp Fee <sup>1</sup>	Net Trade Price per Piece  (€ net)	National Discount Group	EAN - 1
CorePro LED bulb 5-40W A60 E27 830	A+	10	fee relevant	2,10	L6	8718696579930
CorePro LED bulb 7.5-60W A60 E27 830	A+	10	fee relevant	2,50	L6	8718696577714
CorePro LED bulb 12.5-100W A60 E27 840	A+	10	fee relevant	3,60	L6	8718696510308
CorePro LED bulb 12.5-100W A60 E27 865	A+	10	fee relevant	3,60	L6	8718696577813
CorePro LEDbulb D 5.5-40W A60 E27 827	A+	10	fee relevant	4,40	L6	8718696762660
CorePro LEDbulb D 8.5-60W A60 E27 827	A+	10	fee relevant	4,90	L6	8718696762707
CorePro LEDbulb D 11-75W A60 E27 827	A+	10	fee relevant	5,40	L6	8718696762745
CorePro LEDbulb D 13.5-100W A67 E27 827	A+	10	fee relevant	7,20	L6	8718696762783
Z CorePro LEDbulb D 16-100W A67 E27 827	A+	10	fee relevant	7,20	L6	8718696478752
CorePro LEDbulb ND 5-40W A60 E27 840	A+	10	fee relevant	2,10	L6	8718696577790
CorePro LED bulb ND 5-40W A60 E27 865	A+	10	fee relevant	2,10	L6	8718696577875
CorePro LEDbulb ND 5.5-40W A60 E27 827	A+	10	fee relevant	2,10	L6	8718696577578 ★
CorePro LEDbulb ND 7.5-60W A60 E27 840	A+	10	fee relevant	2,50	L6	8718696577776
CorePro LED bulb ND 7.5-60W A60 E27 865	A+	10	fee relevant	2,50	L6	8718696577851
CorePro LEDbulb ND 8-60W A60 E27 827	A+	10	fee relevant	2,50	L6	8718696577554 ★
CorePro LEDbulb ND 10-75W A60 E27 840	A+	10	fee relevant	2,90	L6	8718696510322
CorePro LEDbulb ND 10-75W A60 E27 865	A+	10	fee relevant	2,90	L6	8718696497586
CorePro LEDbulb ND 10.5-75W A60 E27 830	A+	10	fee relevant	2,90	L6	8718696497524
CorePro LEDbulb ND 11-75W A60 E27 827	A+	10	fee relevant	2,90	L6	8718696490761 ★
CorePro LEDbulb ND 13-100W A60 E27 827	A+	10	fee relevant	3,60	L6	8718696490747 ★
CorePro LEDbulb ND 13-100W A60 E27 830	A+	10	fee relevant	3,60	L6	8718696577677
CorePro LEDbulb ND 18-120W A67 865 E27	A+	10	fee relevant	5,80	L6	8718696701713
CorePro LEDbulb ND 18-120W E27 840 A67	A+	10	fee relevant	5,80	L6	8718696701690
CorePro LEDbulb ND 18.5-120W E27 827 A67	A+	10	fee relevant	5,90	L6	8718696701676 ★
CorePro LEDbulb ND 20-150W E27 840 A80	A+	6	fee relevant	9,00	L6	8718696770375
CorePro LEDbulb ND 20-150W E27 865 A80	A+	6	fee relevant	9,00	L6	8718696770399
CorePro LEDbulb ND 22.5-150W E27 827 A80	A+	6	fee relevant	9,00	L6	8718696770351 ★
LED Globe 60W G93 E27 WW FR ND 1CT/4	A+	4	fee relevant	5,40	L6	8718696580639
LED Globe 100W G93 E27 WW FR ND 1CT/4	A+	4	fee relevant	8,70	L6	8718696580615
LED Globe 120W G120 E27 WW 230V ND 1CT/4	A+	4	fee relevant	11,70	L6	8718696567593

<sup>1</sup> Product fee relevant according local regulation

Z = available until stock lasts

★ = First choice

## Spectral power distribution





## MASTER LEDspot ExpertColor LV



### Create a warm, welcoming ambience with superior quality lighting

MASTER LEDspot LV ExpertColor creates a warm and comfortable ambience for hospital-ity venues, homes and restaurants. It creates such an ambience with superior lighting that has a customized spectrum, high CRI, and deep dimming feature. The result? A beautiful lighting experience. What's more, the innov-ative, trimless lens design will suit almost any interior decor with its clean and neat look. In addition, you can take advantage of the full ExpertColor family, which also includes LEDspot MV and LEDspot Par lamps.

#### Benefits

- Create warm and comfortable ambience

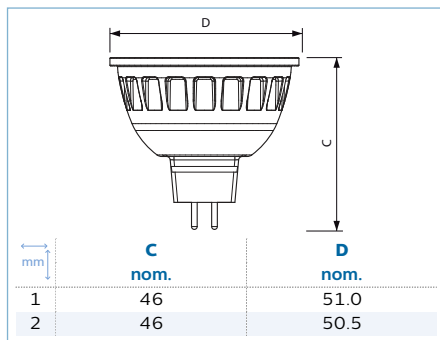
- Interior decor, furnishings and fabrics look great
- Hassle-free retrofit solution for greater energy efficiency and sustainability

#### Features

- Customized color spectrum replicates halogen light color
- Trimless design with beautiful V-groove lens
- Best-in-class color realization CRI97
- Deep and smooth dimming with broad transformer compatibility
- Retrofit with low-voltage MR16 halogen lamps with GU5.3 socket

#### Application

- Hospitality: hotel guest room, corridors, lobby, reception area, restaurants, bars, cafes
- Home: living room, bedrooms, hall way
- Retail: exhibitions, display cabinets, shops, dressing rooms





## MASTER LED ExpertColor ac electronic 12V GU5.3

Power (Rated) $\triangleq$ replaces (W)	Bulb Shape	Correlated Color Temperature (K)	(°)	Luminous Flux (Rated) (lm)	Luminous Intensity (cd)	Luminous Efficacy (Rated) (lm/W)	Rated Lifetime (h)		Switching Cycle	mm	EAN-1
6.5 $\triangleq$ 35	MR16	2,700	10	410	4,600	63.00	40,000	Yes	50000X	1	8718696738719
6.5 $\triangleq$ 35	MR16	2,700	24	420	2,200	64.62	40,000	Yes	50000X	1	8718696738771
6.5 $\triangleq$ 35	MR16	2,700	36	420	1,300	64.62	40,000	Yes	50000X	1	8718696738832
6.5 $\triangleq$ 35	MR16	2,700	60	400	410	61.54	40,000	Yes	50000X	2	8718696757512
6.5 $\triangleq$ 35	MR16	3,000	10	430	5,000	66.15	40,000	Yes	50000X	1	8718696738733
6.5 $\triangleq$ 35	MR16	3,000	24	440	2,350	67.69	40,000	Yes	50000X	1	8718696738795
6.5 $\triangleq$ 35	MR16	3,000	36	440	1,400	67.69	40,000	Yes	50000X	1	8718696738856
6.5 $\triangleq$ 35	MR16	3,000	60	440	440	67.69	40,000	Yes	50000X	2	8718696757536
6.5 $\triangleq$ 35	MR16	4,000	10	440	5,000	67.69	40,000	Yes	50000X	1	8718696738757
6.5 $\triangleq$ 35	MR16	4,000	24	460	2,350	70.77	40,000	Yes	50000X	1	8718696738818
6.5 $\triangleq$ 35	MR16	4,000	36	460	1,400	70.77	40,000	Yes	50000X	1	8718696738870
6.5 $\triangleq$ 35	MR16	4,000	60	440	440	67.69	40,000	Yes	50000X	2	8718696757550
7.5 $\triangleq$ 43	MR16	2,700	24	485	2,400	64.67	40,000	Yes	50000X	2	8718696735381
7.5 $\triangleq$ 43	MR16	2,700	36	485	1,400	64.67	40,000	Yes	50000X	2	8718696735442
7.5 $\triangleq$ 43	MR16	3,000	24	500	2,600	66.67	40,000	Yes	50000X	2	8718696735404
7.5 $\triangleq$ 43	MR16	3,000	36	500	1,550	66.67	40,000	Yes	50000X	2	8718696735466
7.5 $\triangleq$ 43	MR16	4,000	24	520	2,800	69.33	40,000	Yes	50000X	2	8718696735428
7.5 $\triangleq$ 43	MR16	4,000	36	520	1,650	69.33	40,000	Yes	50000X	2	8718696735480

Commercial product name			National Lamp Fee <sup>1</sup>	Net Trade Price per Piece (€ net)	National Discount Group	EAN-1
MASTER LED ExpertColor LED ExpertColor 7.5-43W MR16 927 36D	A	10	fee relevant	12.50	L1	8718696735442
MASTER LED ExpertColor LED ExpertColor 7.5-43W MR16 930 24D	A	10	fee relevant	12.50	L1	8718696735404
MASTER LED ExpertColor LED ExpertColor 7.5-43W MR16 930 36D	A	10	fee relevant	12.50	L1	8718696735466
MASTER LED ExpertColor LED ExpertColor 7.5-43W MR16 940 24D	A	10	fee relevant	12.50	L1	8718696735428
MASTER LED ExpertColor LED ExpertColor 7.5-43W MR16 940 36D	A	10	fee relevant	12.50	L1	8718696735480
MASTER LED ExpertColor LED ExpertColor 7.5-43W MR16 927 24D	A	10	fee relevant	12.50	L1	8718696735381
MASTER LED ExpertColor 6.5-35W MR16 927 10D	A	10	fee relevant	9.90	L1	8718696738719
MASTER LED ExpertColor 6.5-35W MR16 927 24D	A	10	fee relevant	9.90	L1	8718696738771
MASTER LED ExpertColor 6.5-35W MR16 927 36D	A	10	fee relevant	9.90	L1	8718696738832
MASTER LED ExpertColor 6.5-35W MR16 927 60D	A	10	fee relevant	9.90	L1	8718696757512

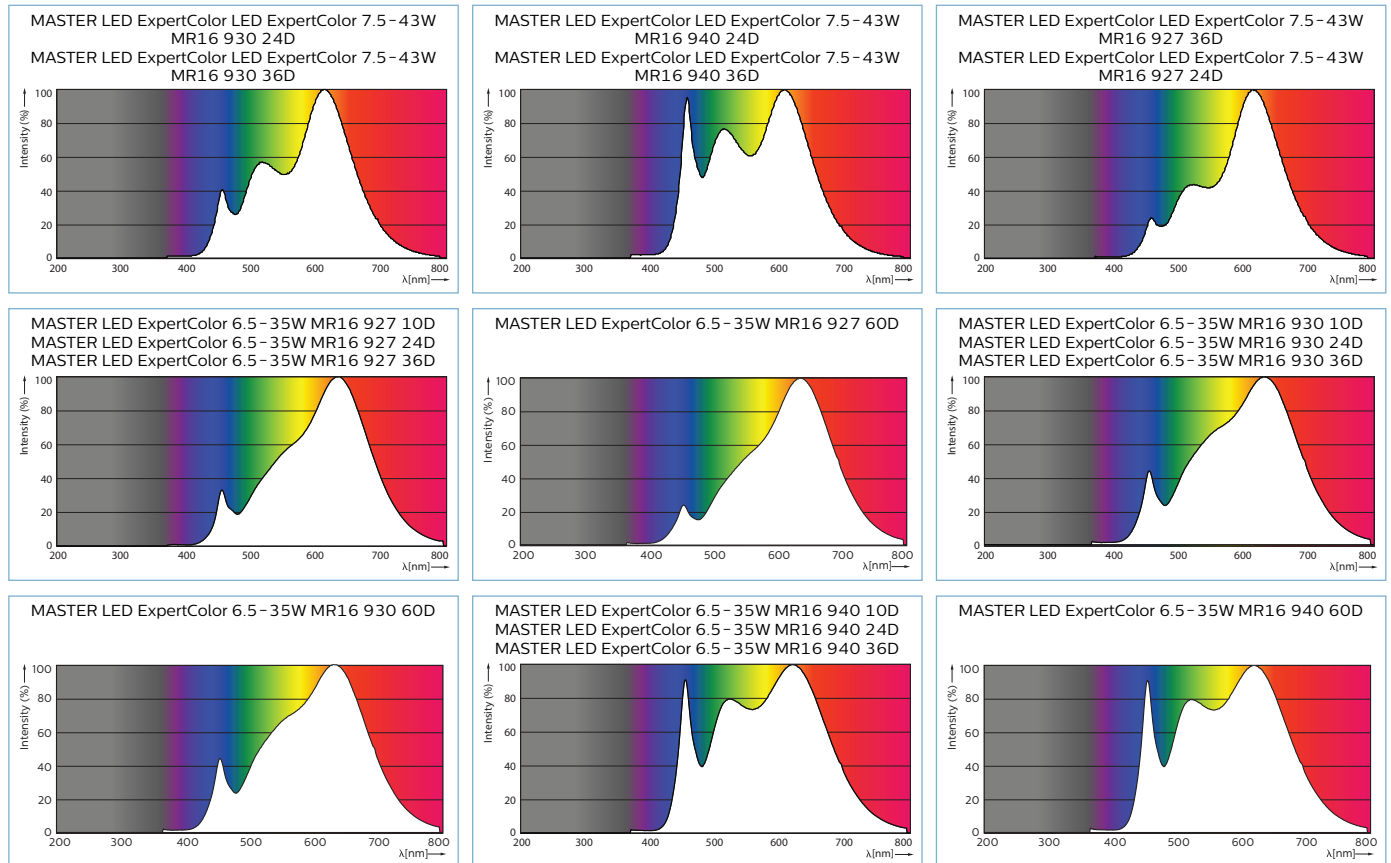
More data see next page



Commercial product name			National Lamp Fee <sup>1</sup>	Net Trade Price per Piece (€ net)	National Discount Group	EAN - 1
MASTER LED ExpertColor 6.5 - 35W MR16 930 10D	A	10	fee relevant	9,90	L1	8718696738733
MASTER LED ExpertColor 6.5 - 35W MR16 930 24D	A+	10	fee relevant	9,90	L1	8718696738795
MASTER LED ExpertColor 6.5 - 35W MR16 930 36D	A+	10	fee relevant	9,90	L1	8718696738856
MASTER LED ExpertColor 6.5 - 35W MR16 930 60D	A+	10	fee relevant	9,90	L1	8718696757536
MASTER LED ExpertColor 6.5 - 35W MR16 940 10D	A+	10	fee relevant	9,90	L1	8718696738757
MASTER LED ExpertColor 6.5 - 35W MR16 940 24D	A+	10	fee relevant	9,90	L1	8718696738818
MASTER LED ExpertColor 6.5 - 35W MR16 940 36D	A+	10	fee relevant	9,90	L1	8718696738870
MASTER LED ExpertColor 6.5 - 35W MR16 940 60D	A+	10	fee relevant	9,90	L1	8718696757550

<sup>1</sup> Product fee relevant according local regulation

### Spectral power distribution



## MASTER LEDspot ExpertColor MV



### Create a warm, welcoming ambience with superior quality lighting

MASTER LEDspot MV ExpertColor creates a warm and comfortable ambience for hospitality venues, homes and restaurants. It creates such an ambience with superior lighting that has a customized spectrum, high CRI, and deep dimming feature. The result? A beautiful lighting experience. What's more, the innovative, trimless lens design will also suit almost any interior decor with its clean and neat look. In addition, you can take advantage of the full ExpertColor family, which also includes LEDspot LV and LEDspot Par lamps.

#### Benefits

- Create warm and comfortable ambience

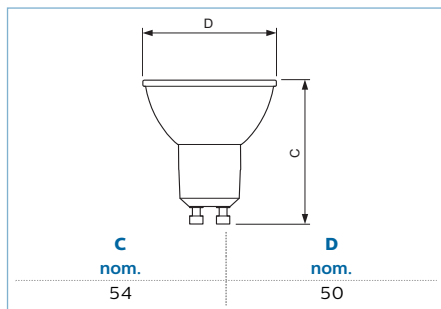
- Interior decor, furnishings and fabrics look great
- Hassle-free retrofit solution for greater energy efficiency and sustainability

#### Features

- Customized color spectrum replicates halogen light color
- Trimless design with beautiful V-groove lens
- Best-in-class color realization CRI97
- Deep and smooth dimming
- Retrofittable with main-voltage GU10 halogen lamps

#### Application

- Hospitality: hotel guest room, corridors, lobby, reception area, restaurants, bars, cafes
- Home: living room, bedrooms, hall way
- Retail: exhibitions, display cabinets, shops, dressing rooms



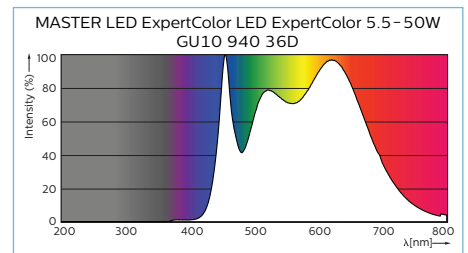
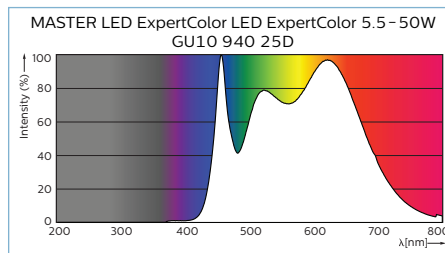
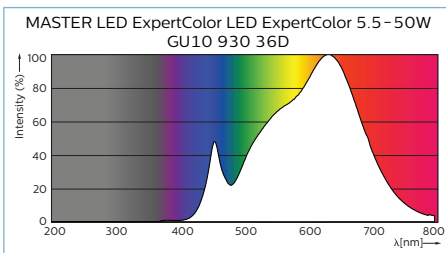
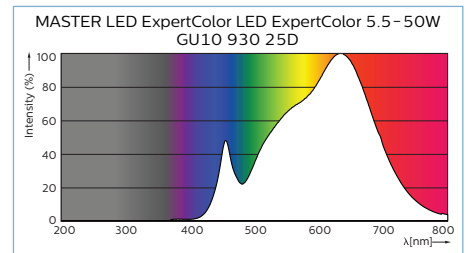
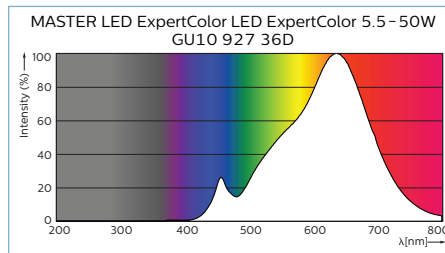
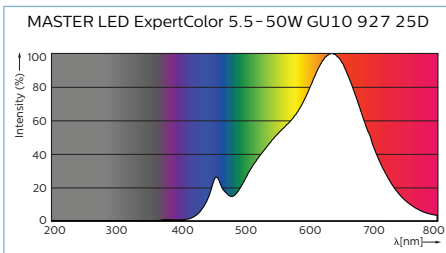
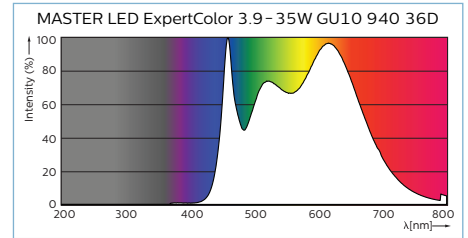
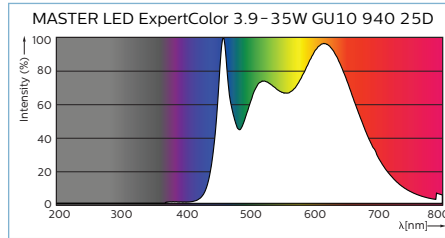
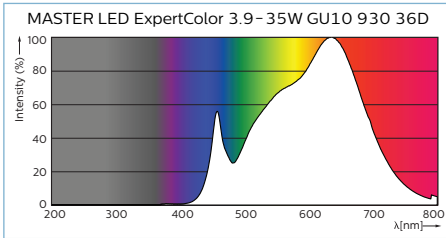
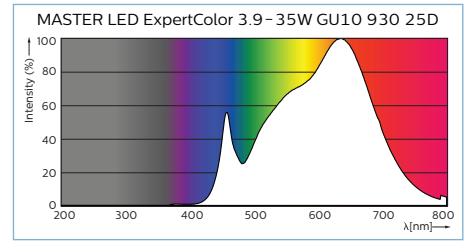
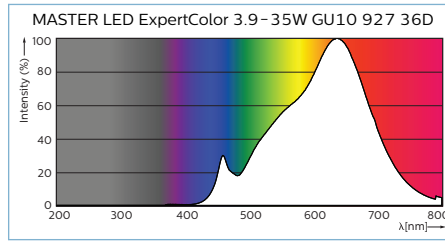
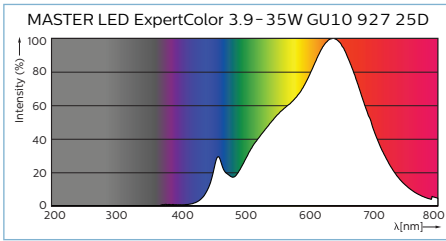
## MASTER LED ExpertColor 220-240V GU10

Power (Rated) $\hat{=}$ replaces (W)	Bulb Shape	Correlated Color Temperature (K)	(°)	Luminous Flux (Rated) (lm)	Luminous Intensity (cd)	Luminous Efficacy (Rated) (lm/W)	Rated Lifetime (h)		Switching Cycle	EAN - 1
3.9 $\hat{=}$ 35	PAR16	2,700	25	265	700	67.95	40,000	Yes	50000X	8718696707494
3.9 $\hat{=}$ 35	PAR16	2,700	36	265	540	67.95	40,000	Yes	50000X	8718696707555
3.9 $\hat{=}$ 35	PAR16	3,000	25	280	750	71.79	40,000	Yes	50000X	8718696707517
3.9 $\hat{=}$ 35	PAR16	3,000	36	280	560	71.79	40,000	Yes	50000X	8718696707579
3.9 $\hat{=}$ 35	PAR16	4,000	25	300	800	76.92	40,000	Yes	50000X	8718696707531
3.9 $\hat{=}$ 35	PAR16	4,000	36	300	600	76.92	40,000	Yes	50000X	8718696707593
5.5 $\hat{=}$ 50	PAR16	2,700	25	355	1,000	64.55	40,000	Yes	50000X	8718696707616
5.5 $\hat{=}$ 50	PAR16	2,700	36	355	800	64.55	40,000	Yes	50000X	8718696707678
5.5 $\hat{=}$ 50	PAR16	3,000	25	375	1,000	68.18	40,000	Yes	50000X	8718696707630
5.5 $\hat{=}$ 50	PAR16	3,000	36	375	800	68.18	40,000	Yes	50000X	8718696707692
5.5 $\hat{=}$ 50	PAR16	4,000	25	400	1,050	72.73	40,000	Yes	50000X	8718696707654
5.5 $\hat{=}$ 50	PAR16	4,000	36	400	850	72.73	40,000	Yes	50000X	8718696707715

Commercial product name			National Lamp Fee <sup>1</sup>	Net Trade Price per Piece (€ net)	National Discount Group	EAN - 1
MASTER LED ExpertColor 3.9-35W GU10 927 25D	A+	10	fee relevant	6,30	L1	8718696707494
MASTER LED ExpertColor 3.9-35W GU10 927 36D	A+	10	fee relevant	6,30	L1	8718696707555
MASTER LED ExpertColor 3.9-35W GU10 930 25D	A+	10	fee relevant	6,30	L1	8718696707517
MASTER LED ExpertColor 3.9-35W GU10 930 36D	A+	10	fee relevant	6,30	L1	8718696707579
MASTER LED ExpertColor 3.9-35W GU10 940 25D	A+	10	fee relevant	6,30	L1	8718696707531
MASTER LED ExpertColor 3.9-35W GU10 940 36D	A+	10	fee relevant	6,30	L1	8718696707593
MASTER LED ExpertColor 5.5-50W GU10 927 25D	A+	10	fee relevant	7,90	L1	8718696707616
MASTER LED ExpertColor LED ExpertColor 5.5-50W GU10 927 36D	A+	10	fee relevant	7,90	L1	8718696707678
MASTER LED ExpertColor LED ExpertColor 5.5-50W GU10 930 25D	A+	10	fee relevant	7,90	L1	8718696707630
MASTER LED ExpertColor LED ExpertColor 5.5-50W GU10 930 36D	A+	10	fee relevant	7,90	L1	8718696707692
MASTER LED ExpertColor LED ExpertColor 5.5-50W GU10 940 25D	A+	10	fee relevant	7,90	L1	8718696707654
MASTER LED ExpertColor LED ExpertColor 5.5-50W GU10 940 36D	A+	10	fee relevant	7,90	L1	8718696707715

<sup>1</sup> Product fee relevant according local regulation


## Spectral power distribution





# Quality, Value and lifetime

You've got it in one with the new range of MASTER LEDspot Value lamps. Designed with a 36° beam angle for general lighting applications, they offer high quality at an affordable price. With a choice of three color temperatures, dimmable options, and a reliable lifetime, it's everything you **Value** in LED.

innovation  you

Philips MASTER LEDspot Value

[www.philips.com/masterledlamps](http://www.philips.com/masterledlamps)



## MASTER VALUE LEDspot LV



### The ideal solution for spot lighting

Philips MASTER VALUE MR16 is the series of Low Voltage (12VAC) Halogen MR16 replacements. Not only does it employ Philips' patented solution to guarantee the broadest possible compatibility with standard 12 V Halogen electronic transformers. It also delivers beam intensity which is equivalent to the 50 W Philips Halogen MR16 lamps. The form-factor of Philips MASTER Value LED MR16 guarantees a 100% form on the back-side of the lamp (exact form with Halogen lamps.)

#### Benefits

- Up to 80% energy saving compared with halogen lamp
- Broad compatibility with transformers
- Retrofittable with low-voltage MR16 halogen lamps with GU5.3 socket

#### Features

- Dimmable range

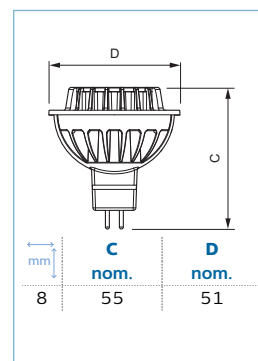
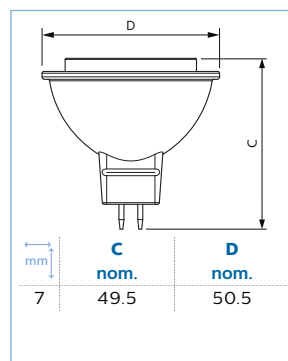
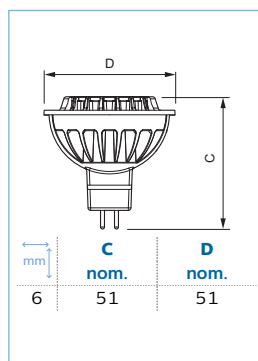
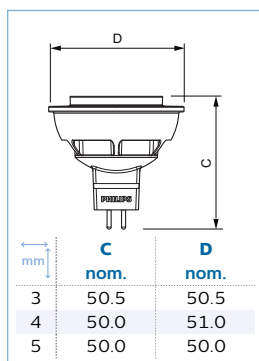
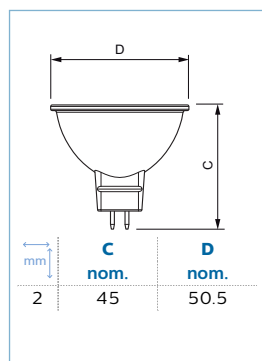
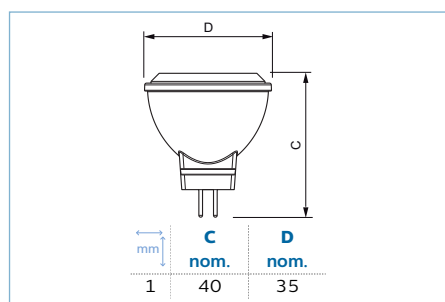
- Patented intelligent driver
- Air movement mechanism (active fan cooling) with very low sound levels
- Lifetime of 25,000
- No UV and Cool Beam (no IR), making suitable for illuminating heat-sensitive objects (food, organic materials, paintings etc.)

#### Application

- Ideal for accent lighting in hotels, hospitals, shops and museums (e. g. floors, elevators, displays)

#### Warnings and Safety

- Operating temperature range is between -20 °C and 45 °C ambient
- Only to apply in dry or damp locations and most of open fixtures with lamp-holders that offer sufficient space (10 mm free air space)
- Not intended for use with emergency light fixtures or exit lights



## MASTER LEDspotLV

Power (Rated) $\Delta$ replaces	Voltage	Bulb Shape	Bulb Shape	Correlated Color Temperature	Bulb Shape	Luminous Flux (Rated)	Luminous Intensity	Luminous Efficacy (Rated)	Rated Lifetime	Switching Cycle	mm	EAN-1	
(W)	(V)			(K)	(°)	(lm)	(cd)	(lm/W)	(h)				
3.5 $\Delta$ 20	12	GU4	MR11	2,700	24	210	1,000	60.00	40,000	No	50000X	1	8718696410196
5.5 $\Delta$ 35	ac Electronic 12	GU5.3	MR16	2,700	36	450	1,000	81.82	25,000	Yes	50000X	2	8718696708231
5.5 $\Delta$ 35	ac Electronic 12	GU5.3	MR16	2,700	60	450	500	81.82	25,000	Yes	50000X	2	8718696708293
5.5 $\Delta$ 35	ac Electronic 12	GU5.3	MR16	3,000	36	460	1,000	83.64	25,000	Yes	50000X	2	8718696708255
5.5 $\Delta$ 35	ac Electronic 12	GU5.3	MR16	3,000	60	460	500	83.64	25,000	Yes	50000X	2	8718696708316
5.5 $\Delta$ 35	ac Electronic 12	GU5.3	MR16	4,000	36	490	1,100	89.09	25,000	Yes	50000X	2	8718696708279
5.5 $\Delta$ 35	ac Electronic 12	GU5.3	MR16	4,000	60	490	550	89.09	25,000	Yes	50000X	2	8718696708330
6.3 $\Delta$ 35	12	GU5.3	MR16	2,700	36	380	980	60.00	25,000	Yes	50000X	3	8718696490273
6.5 $\Delta$ 35	12	GU5.3	MR16	2,200-2,700	24	410	1,800	63.08	25,000	Yes	50000X	4	8718696442135
6.5 $\Delta$ 35	12	GU5.3	MR16	2,200-2,700	36	410	900	63.08	25,000	Yes	50000X	4	8718696442159
7 $\Delta$ 35	12	GU5.3	MR16	2,700	24	400	2,100	57.14	40,000	Yes	50000X	6	8718696659236
7 $\Delta$ 35	12	GU5.3	MR16	2,700	36	400	1,150	57.14	40,000	Yes	50000X	6	8718696659250
7 $\Delta$ 35	12	GU5.3	MR16	3,000	15	410	2,950	58.57	40,000	Yes	50000X	6	8718696659274
7 $\Delta$ 35	12	GU5.3	MR16	4,000	24	430	2,300	61.43	40,000	Yes	50000X	6	8718696659359
7 $\Delta$ 35	12	GU5.3	MR16	4,000	36	425	1,250	60.71	40,000	Yes	50000X	6	8718696659373
7 $\Delta$ 50	ac Electronic 12	GU5.3	MR16	2,700	36	621	1,600	88.71	25,000	Yes	50000X	7	8718696708354
7 $\Delta$ 50	ac Electronic 12	GU5.3	MR16	2,700	60	621	800	88.71	25,000	Yes	50000X	7	8718696708415
7 $\Delta$ 50	ac Electronic 12	GU5.3	MR16	3,000	36	630	1,700	90.00	25,000	Yes	50000X	7	8718696708378
7 $\Delta$ 50	ac Electronic 12	GU5.3	MR16	3,000	60	630	800	90.00	25,000	Yes	50000X	7	8718696708439
7 $\Delta$ 50	ac Electronic 12	GU5.3	MR16	4,000	36	660	1,800	94.29	25,000	Yes	50000X	7	8718696708392
7 $\Delta$ 50	ac Electronic 12	GU5.3	MR16	4,000	60	660	850	94.29	25,000	Yes	50000X	7	8718696708453

More data see next page



## MASTER LEDspotLV

Power (Rated) $\triangleq$ replaces	Voltage	Bulb Shape	Correlated Color Temperature	Luminous Flux (Rated)	Luminous Intensity	Luminous Efficacy (Rated)	Rated Lifetime	Switching Cycle	mm	EAN-1			
(W)	(V)		(K)	(lm)	(cd)	(lm/W)	(h)						
8 $\triangleq$ 50	12	GU5.3	MR16	2,700	24	635	3,100	78.00	40,000	Yes	50000X	8	8718696489994
8 $\triangleq$ 50	12	GU5.3	MR16	2,700	36	635	1,650	78.00	40,000	Yes	50000X	8	8718696515365
8 $\triangleq$ 50	12	GU5.3	MR16	3,000	24	660	3,250	78.00	40,000	Yes	50000X	8	8718696490013
8 $\triangleq$ 50	12	GU5.3	MR16	3,000	36	660	1,700	78.00	40,000	Yes	50000X	8	8718696515389
8 $\triangleq$ 50	12	GU5.3	MR16	4,000	24	630	2,900	78.75	25,000	Yes	50000X	5	8718696572092
8 $\triangleq$ 50	12	GU5.3	MR16	4,000	24	710	3,350	84.00	40,000	Yes	50000X	8	8718696576335
8 $\triangleq$ 50	12	GU5.3	MR16	4,000	36	710	1,750	84.00	40,000	Yes	50000X	8	8718696576359

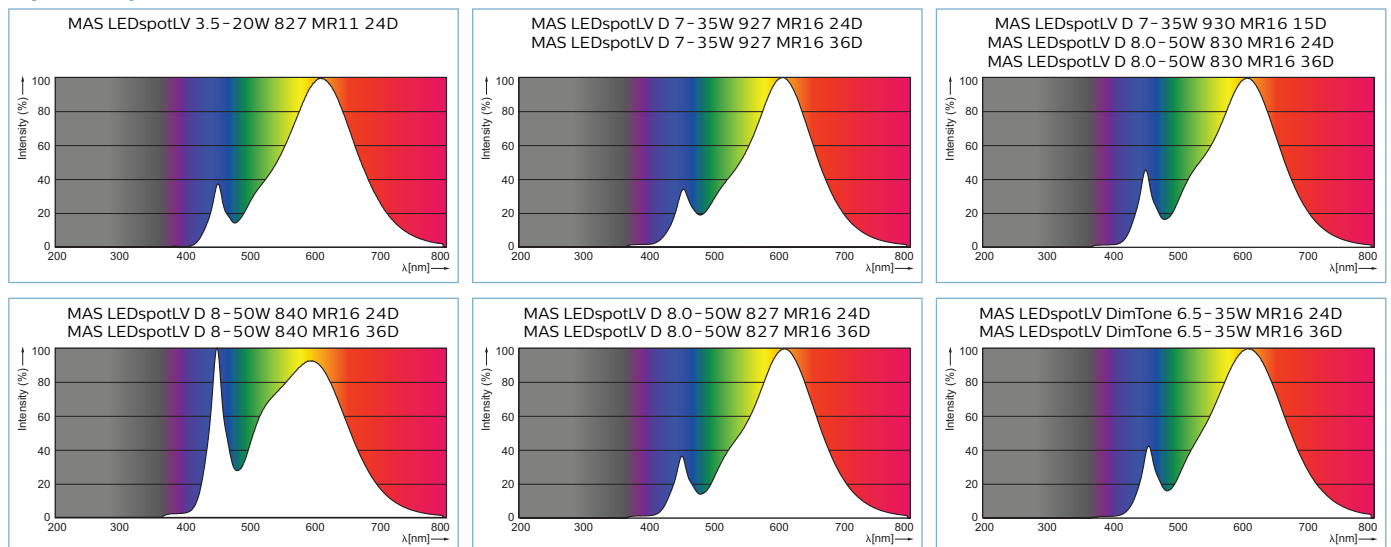


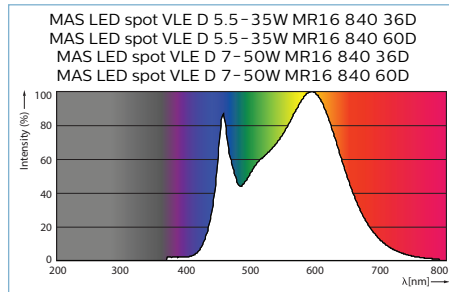
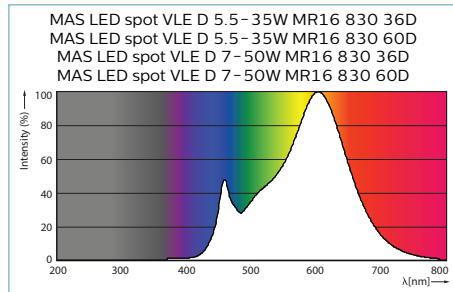
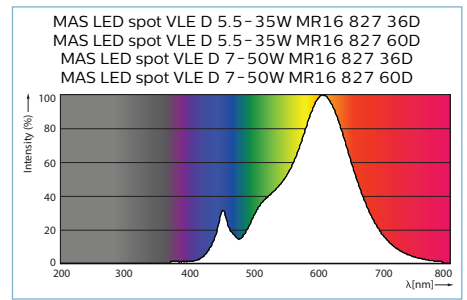
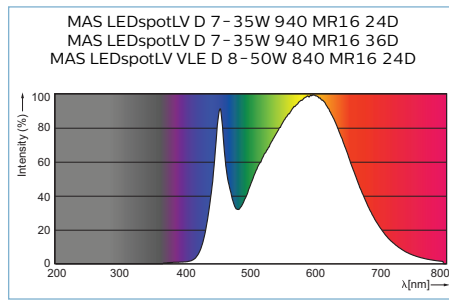
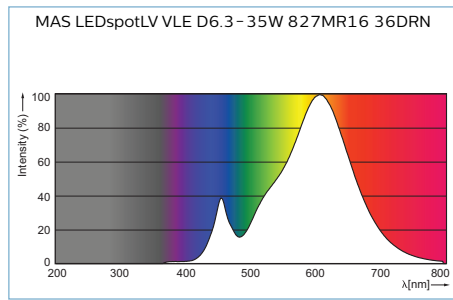
Commercial product name		National Lamp Fee <sup>1</sup>	Net Trade Price per Piece	National Discount Group	EAN-1	
			(€ net)			
MAS LEDspotLV 3.5-20W 827 MR11 24D	A+	12	fee relevant	6,30	L1	8718696410196
Z MAS LEDspotLV D 7-35W 927 MR16 24D	A	10	fee relevant	9,90	L1	8718696659236
Z MAS LEDspotLV D 7-35W 927 MR16 36D	A	10	fee relevant	9,90	L1	8718696659250
Z MAS LEDspotLV D 7-35W 930 MR16 15D	A	10	fee relevant	9,90	L1	8718696659274
Z MAS LEDspotLV D 7-35W 940 MR16 24D	A	10	fee relevant	9,90	L1	8718696659359
Z MAS LEDspotLV D 7-35W 940 MR16 36D	A	10	fee relevant	9,90	L1	8718696659373
Z MAS LEDspotLV D 8-50W 840 MR16 24D	A+	10	fee relevant	12,50	L1	8718696576335
Z MAS LEDspotLV D 8-50W 840 MR16 36D	A+	10	fee relevant	12,50	L1	8718696576359
Z MAS LEDspotLV D 8.0-50W 827 MR16 24D	A+	10	fee relevant	12,50	L1	8718696489994
Z MAS LEDspotLV D 8.0-50W 827 MR16 36D	A+	10	fee relevant	12,50	L1	8718696515365
Z MAS LEDspotLV D 8.0-50W 830 MR16 24D	A+	10	fee relevant	12,50	L1	8718696490013
Z MAS LEDspotLV D 8.0-50W 830 MR16 36D	A+	10	fee relevant	12,50	L1	8718696515389
MAS LEDspotLV DimTone 6.5-35W MR16 24D	A	10	fee relevant	9,10	L1	8718696442135
MAS LEDspotLV DimTone 6.5-35W MR16 36D	A	10	fee relevant	9,10	L1	8718696442159
Z MAS LEDspotLV VLE D6.3-35W 827MR16 36DRN	A	10	fee relevant	6,00	L1	8718696490273
Z MAS LEDspotLV VLE D 8-50W 840 MR16 24D	A+	10	fee relevant	8,60	L1	8718696572092
MAS LED spot VLE D 5.5-35W MR16 827 36D	A+	10	fee relevant	6,00	L1	8718696708231
MAS LED spot VLE D 5.5-35W MR16 827 60D	A+	10	fee relevant	6,00	L1	8718696708293
MAS LED spot VLE D 5.5-35W MR16 830 36D	A+	10	fee relevant	6,00	L1	8718696708255
MAS LED spot VLE D 5.5-35W MR16 830 60D	A+	10	fee relevant	6,00	L1	8718696708316
MAS LED spot VLE D 5.5-35W MR16 840 36D	A+	10	fee relevant	6,00	L1	8718696708279
MAS LED spot VLE D 5.5-35W MR16 840 60D	A+	10	fee relevant	6,00	L1	8718696708330
MAS LED spot VLE D 7-50W MR16 827 36D	A+	10	fee relevant	8,60	L1	8718696708354
MAS LED spot VLE D 7-50W MR16 827 60D	A+	10	fee relevant	8,60	L1	8718696708415
MAS LED spot VLE D 7-50W MR16 830 36D	A+	10	fee relevant	8,60	L1	8718696708378
MAS LED spot VLE D 7-50W MR16 830 60D	A+	10	fee relevant	8,60	L1	8718696708439
MAS LED spot VLE D 7-50W MR16 840 36D	A+	10	fee relevant	8,60	L1	8718696708392
MAS LED spot VLE D 7-50W MR16 840 60D	A+	10	fee relevant	8,60	L1	8718696708453

<sup>1</sup> Product fee relevant according local regulation

Z = available until stock lasts

### Spectral power distribution







## MASTER VALUE LEDspot MV


**The perfect replacement for mains voltage halogen spots**

Delivering a warm, halogen-like accent beam, MASTER VALUE LEDspot MV is a perfect for spot lighting. Thanks to its high CRI, it realizes more natural colors, enabling cozy and comfortable ambience for residential, hospitality and emphasize the beauty of merchandise in retail. These LEDspots have the familiar look and feel of glass spots, keeping the classic beauty of glass spots and adding the strong performance from LED technology. The dimming function enables to create the desired atmosphere and it works with broad selection of dimmers.

**Benefits**

- First CRI90 DimTone glass spot on the market
- Perfect replacement for traditional GU10 lamps which are banned per September 2016 by ErP directive
- Best mimic of a halogen spot for atmosphere creation

**Features**

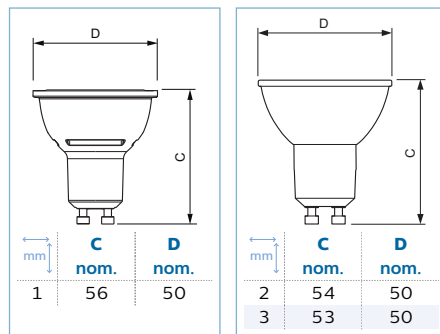
- DimTone: the more you dim the warmer the light
- Compatible with an extensive range of dimmers
- Life time of 25.000 hours
- Clearly defined beam spread
- UV- and IR-free: heat reduction and protection of heat-sensitive objects

**Application**

- Hospitality: hotel guest room, corridors, lobby, reception area, restaurants, bars, cafes
- Home: living room, bedrooms, hall way
- Retail: exhibitions, display cabinets, shops, dressing

**Warnings and Safety**

- Operating temperature range is between -20 °C and 45 °C ambient
- Only to apply in dry or damp locations and most of open fixtures with lamp-holders that offer sufficient space (10 mm free air space)
- Not intended for use with emergency light fixtures or exit lights





## MASTER LEDspotMV 220-240V GU10

Power (Rated) $\triangleq$ replaces (W)	Bulb Shape	Correlated Color Temperature (K)	(°)	Luminous Flux (Rated) (lm)	Luminous Intensity (cd)	Luminous Efficacy (Rated) (lm/W)	Rated Lifetime (h)		Switching Cycle	mm	EAN-1
3.5 $\triangleq$ 35	PAR16	3,000	40	315	550	90.00	35,000	Yes	50000X	1	8718696563021
3.5 $\triangleq$ 35	PAR16	4,000	40	330	550	94.29	35,000	Yes	50000X	1	8718696563069
3.7 $\triangleq$ 35	PAR16	2,200-2,700	36	260	500	78.38	25,000	Yes	50000X	2	8718696708095
3.7 $\triangleq$ 35	PAR16	2,700	36	260	500	78.38	25,000	Yes	50000X	2	8718696707739
3.7 $\triangleq$ 35	PAR16	2,700	60	260	330	78.38	25,000	Yes	50000X	2	8718696707791
3.7 $\triangleq$ 35	PAR16	3,000	36	270	500	81.08	25,000	Yes	50000X	2	8718696707753
3.7 $\triangleq$ 35	PAR16	3,000	60	270	340	81.08	25,000	Yes	50000X	2	8718696707814
3.7 $\triangleq$ 35	PAR16	4,000	36	285	500	85.14	25,000	Yes	50000X	2	8718696707777
3.7 $\triangleq$ 35	PAR16	4,000	60	285	350	85.14	25,000	Yes	50000X	2	8718696707838
4.5 $\triangleq$ 35	PAR16	2,200-2,700	36	245	450	54.44	25,000	Yes	50000X	3	8718696667644
4.9 $\triangleq$ 50	PAR16	2,200-2,700	36	355	650	80.61	25,000	Yes	50000X	2	8718696708118
4.9 $\triangleq$ 50	PAR16	2,700	36	355	650	80.61	25,000	Yes	50000X	2	8718696707852
4.9 $\triangleq$ 50	PAR16	2,700	60	355	400	80.61	25,000	Yes	50000X	2	8718696707913
4.9 $\triangleq$ 50	PAR16	3,000	36	365	650	82.65	25,000	Yes	50000X	2	8718696707876
4.9 $\triangleq$ 50	PAR16	3,000	60	365	400	82.65	25,000	Yes	50000X	2	8718696707937
4.9 $\triangleq$ 50	PAR16	4,000	36	380	700	85.71	25,000	Yes	50000X	2	8718696707890
4.9 $\triangleq$ 50	PAR16	4,000	60	380	400	85.71	25,000	Yes	50000X	2	8718696707951
7	PAR16	3,000		650		92.86	25,000	Yes	50000X	2	8718696724316
7	PAR16	4,000		680		97.14	25,000	Yes	50000X	2	8718696724330
7	PAR16	6,500		680		97.14	25,000	Yes	50000X	2	8718696724354
7 $\triangleq$ 80	PAR16	3,000	36	590	1,200	84.29	25,000	Yes	50000X	2	8718696707975
7 $\triangleq$ 80	PAR16	4,000	36	610	1,200	87.14	25,000	Yes	50000X	2	8718696707999
7 $\triangleq$ 80	PAR16	6,500	36	610	1,200	87.14	25,000	Yes	50000X	2	8718696708019

Commercial product name			National Lamp Fee <sup>1</sup>	Net Trade Price per Piece (€ net)	National Discount Group	EAN-1
Z MAS LEDspotMV VLE CLA DT4.5-35W GU10 36D	A+	10	fee relevant	4,90	L1	8718696667644
Z MAS LEDspotMV VLE D 3.5-35W GU10 830 40D	A++	10	fee relevant	4,10	L1	8718696563021
Z MAS LEDspotMV VLE D 3.5-35W GU10 840 40D	A++	10	fee relevant	4,10	L1	8718696563069
MAS LED spot VLE D 3.7-35W GU10 927 36D	A+	10	fee relevant	4,10	L1	8718696707739
MAS LED spot VLE D 3.7-35W GU10 927 60D	A+	10	fee relevant	4,10	L1	8718696707791
MAS LED spot VLE D 3.7-35W GU10 930 36D	A+	10	fee relevant	4,10	L1	8718696707753

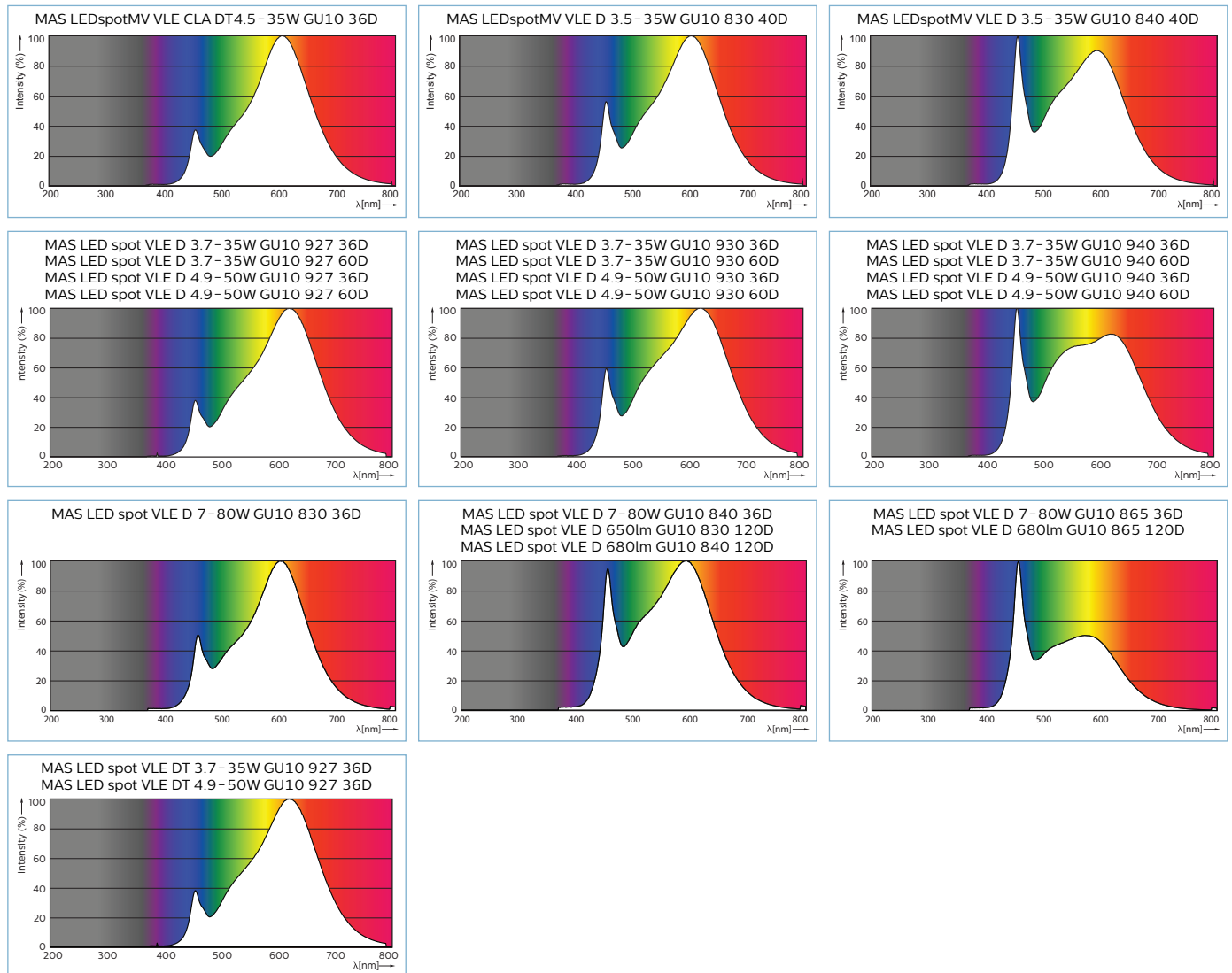
More data see next page

Commercial product name			National Lamp Fee <sup>1</sup>	Net Trade Price per Piece (€ net)	National Discount Group	EAN - 1
MAS LED spot VLE D 3.7-35W GU10 930 60D	A+	10	fee relevant	4,10	L1	8718696707814
MAS LED spot VLE D 3.7-35W GU10 940 36D	A++	10	fee relevant	4,10	L1	8718696707777
MAS LED spot VLE D 3.7-35W GU10 940 60D	A++	10	fee relevant	4,10	L1	8718696707838
MAS LED spot VLE D 4.9-50W GU10 927 36D	A+	10	fee relevant	4,90	L1	8718696707852
MAS LED spot VLE D 4.9-50W GU10 927 60D	A+	10	fee relevant	4,90	L1	8718696707913
MAS LED spot VLE D 4.9-50W GU10 930 36D	A+	10	fee relevant	4,90	L1	8718696707876
MAS LED spot VLE D 4.9-50W GU10 930 60D	A+	10	fee relevant	4,90	L1	8718696707937
MAS LED spot VLE D 4.9-50W GU10 940 36D	A+	10	fee relevant	4,90	L1	8718696707890
MAS LED spot VLE D 4.9-50W GU10 940 60D	A+	10	fee relevant	4,90	L1	8718696707951
MAS LED spot VLE D 7-80W GU10 830 36D	A+	10	fee relevant	6,60	L1	8718696707975
MAS LED spot VLE D 7-80W GU10 840 36D	A+	10	fee relevant	6,60	L1	8718696707999
MAS LED spot VLE D 7-80W GU10 865 36D	A+	10	fee relevant	6,60	L1	8718696708019
MAS LED spot VLE D 650lm GU10 830 120D	A+	10	fee relevant	6,60	L1	8718696724316
MAS LED spot VLE D 680lm GU10 840 120D	A+	10	fee relevant	6,60	L1	8718696724330
MAS LED spot VLE D 680lm GU10 865 120D	A+	10	fee relevant	6,60	L1	8718696724354
MAS LED spot VLE DT 3.7-35W GU10 927 36D	A+	10	fee relevant	4,90	L1	8718696708095
MAS LED spot VLE DT 4.9-50W GU10 927 36D	A+	10	fee relevant	5,70	L1	8718696708118

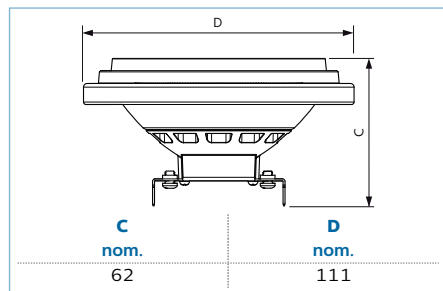
<sup>1</sup> Product fee relevant according local regulation

Z = available until stock lasts

### Spectral power distribution



## MASTER LEDspot LV AR111



### Create an inviting atmosphere for retail and hospitality with new perfect-fit

With its new perfect-fit design, the Master LEDspot LV AR111 now works with most of G53 luminaires as a true retrofit solution. The lamp creates a brilliant visual effect for retail and hospitality applications such as shops, showrooms and galleries. The high quality light brings out the true colors in merchandise and emphasizes its beauty. It also lasts long, with a strong lumen and color maintenance. The beautifully designed lamp offers a well-defined beam with a multitude of beam angles to suit various applications. Not only does it employ the Philips patented solution to ensure it is compatible with a broad selection of standard 12 V halogen electronic transformers, it also delivers high beam intensity which equivalent to halogen AR111 spots of 50 W, 75 W or 100 W.

#### Benefits

- High intensity of beam for accent lighting with strong lumen maintenance

- Achieve more vivid, vibrant colors over time for merchandise display to emphasize its beauty
- Innovative design with hassle free retro-fit solution to enhance retail, hospitality environment



#### Features



- Superior design with Red Dot award of "innovative product design"
- High intensity of beam equivalent to halogen AR111 50 W, 75 W, 100 W
- Better color realization with high CRI value, while colors remain vibrant and natural
- High lumen and color maintenance with long lifetime of 25,000 hours to 40,000 hours
- Retrofittable with G53 luminaires

#### Application

- Retail: fashion, cosmetics, jewelry, food, concept stores, museums, exhibitions
- Hospitality: hotel guest room, corridors, lobby, reception area, restaurants, bars, cafes
- Home: dining room, living room, hall way



### MASTER LEDspotLV AR111 12V G53

Power (Rated) $\triangleq$ replaces (W)	Bulb Shape	Correlated Color Temperature (K)	 Beam angle (°)	Luminous Flux (Rated) (lm)	Luminous Intensity (cd)	Luminous Efficacy (Rated) (lm/W)	Rated Lifetime (h)	 Switching Cycle	EAN-1
11 $\triangleq$ 50	AR111	2,700	8	560	7,800	50.91	40,000	Yes 50000X	8718696578339
11 $\triangleq$ 50	AR111	2,700	24	560	2,900	50.91	40,000	Yes 50000X	8718696514887
11 $\triangleq$ 50	AR111	2,700	40	550	1,100	50.00	40,000	Yes 50000X	8718696514924
11 $\triangleq$ 50	AR111	3,000	8	580	8,000	52.73	40,000	Yes 50000X	8718696578353
11 $\triangleq$ 50	AR111	3,000	24	580	3,000	52.73	40,000	Yes 50000X	8718696514900
11 $\triangleq$ 50	AR111	3,000	40	570	1,150	51.82	40,000	Yes 50000X	8718696514948
15 $\triangleq$ 75	AR111	2,700	24	800	3,900	53.33	40,000	Yes 50000X	8718696514962
15 $\triangleq$ 75	AR111	2,700	40	800	1,400	53.33	40,000	Yes 50000X	8718696515006
15 $\triangleq$ 75	AR111	3,000	24	810	4,000	54.00	40,000	Yes 50000X	8718696514986
15 $\triangleq$ 75	AR111	3,000	40	810	1,450	54.00	40,000	Yes 50000X	8718696515020
15 $\triangleq$ 75	AR111	4,000	24	830	4,100	55.33	40,000	Yes 50000X	8718696718346
15 $\triangleq$ 75	AR111	4,000	40	830	1,500	55.33	40,000	Yes 50000X	8718696718360
20 $\triangleq$ 100	AR111	2,700	24	1,180	5,800	59.00	25,000	Yes 50000X	8718696515044
20 $\triangleq$ 100	AR111	2,700	40	1,160	2,300	58.00	25,000	Yes 50000X	8718696707456
20 $\triangleq$ 100	AR111	3,000	24	1,200	6,000	60.00	25,000	Yes 50000X	8718696707432
20 $\triangleq$ 100	AR111	3,000	40	1,180	2,350	59.00	25,000	Yes 50000X	8718696707470
20 $\triangleq$ 100	AR111	4,000	24	1,250	6,100	62.50	25,000	Yes 50000X	8718696725320
20 $\triangleq$ 100	AR111	4,000	40	1,250	2,400	62.50	25,000	Yes 50000X	8718696725344

Commercial product name			National Lamp Fee <sup>1</sup>	Net Trade Price per Piece (€ net)	National Discount Group	EAN-1
MAS LEDspotLV D 11-50W 927 AR111 8D	A	6	fee relevant	15,70	L1	8718696578339
MAS LEDspotLV D 11-50W 927 AR111 24D	A	6	fee relevant	15,70	L1	8718696514887
MAS LEDspotLV D 11-50W 927 AR111 40D	A	6	fee relevant	15,70	L1	8718696514924
MAS LEDspotLV D 11-50W 930 AR111 8D	A	6	fee relevant	15,70	L1	8718696578353
MAS LEDspotLV D 11-50W 930 AR111 24D	A	6	fee relevant	15,70	L1	8718696514900
MAS LEDspotLV D 11-50W 930 AR111 40D	A	6	fee relevant	15,70	L1	8718696514948
MAS LEDspotLV D 15-75W 927 AR111 24D	A	6	fee relevant	18,80	L1	8718696514962
MAS LEDspotLV D 15-75W 927 AR111 40D	A	6	fee relevant	18,80	L1	8718696515006
MAS LEDspotLV D 15-75W 930 AR111 24D	A	6	fee relevant	18,80	L1	8718696514986
MAS LEDspotLV D 15-75W 930 AR111 40D	A	6	fee relevant	18,80	L1	8718696515020
MAS LEDspotLV D 15-75W 940 AR111 24D	A	6	fee relevant	18,80	L1	8718696718346
MAS LEDspotLV D 15-75W 940 AR111 40D	A	6	fee relevant	18,80	L1	8718696718360

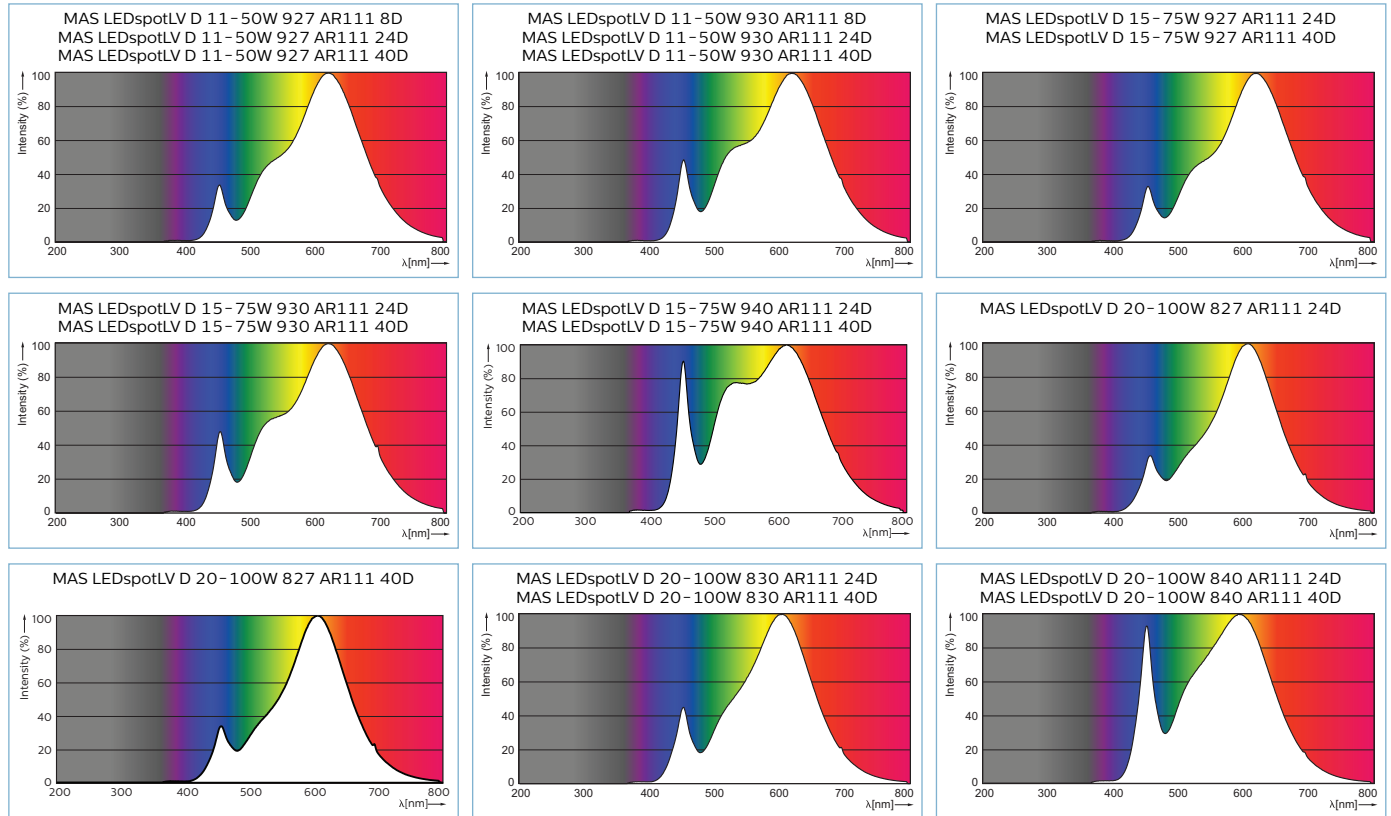
More data see next page



Commercial product name			National Lamp Fee <sup>1</sup>	Net Trade Price per Piece (€ net)	National Discount Group	EAN - 1
MAS LEDspotLV D 20-100W 827 AR111 24D	A	6	fee relevant	22,70	L1	8718696515044
MAS LEDspotLV D 20-100W 827 AR111 40D	A	6	fee relevant	22,70	L1	8718696707456
MAS LEDspotLV D 20-100W 830 AR111 24D	A	6	fee relevant	22,70	L1	8718696707432
MAS LEDspotLV D 20-100W 830 AR111 40D	A	6	fee relevant	22,70	L1	8718696707470
MAS LEDspotLV D 20-100W 840 AR111 24D	A	6	fee relevant	22,70	L1	8718696725320
MAS LEDspotLV D 20-100W 840 AR111 40D	A	6	fee relevant	22,70	L1	8718696725344

<sup>1</sup> Product fee relevant according local regulation

### Spectral power distribution





## MASTER LEDspot PAR



### The energy-saving alternative for lighting in public areas

With its robust design and warm-white beam of light, these new-generation PAR lamps are ideal for general lighting and spot lighting in the hospitality industry. There is a choice of dimmable and non-dimmable versions. They are especially suitable for public areas such as lobbies, corridors, stairwells, where the light is always on.

#### Benefits

- Up to 80% energy saving compared to halogen lamps

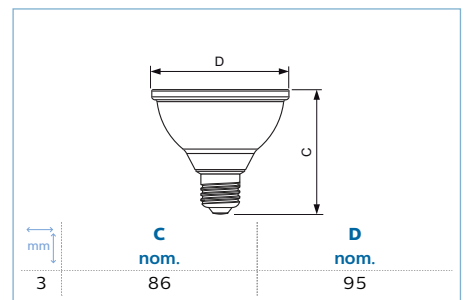
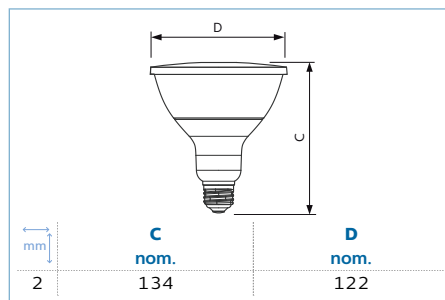
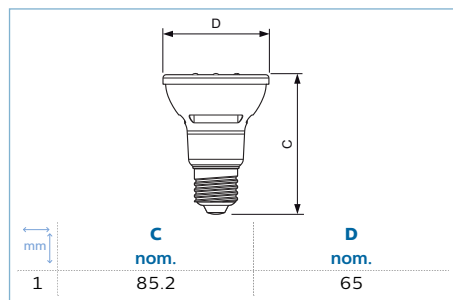
- Retrofittable and compatible with existing fixtures with E27 holder
- Lower maintenance costs

#### Features

- Lifetime of 45,000 hours
- Dimmable (except PAR38 OD)
- UV- and IR-free light for less heat and protection for heat-sensitive objects
- Free of mercury and hazardous materials – RoHS compliant

#### Application

- Hotels, restaurants, bars, cafés, museums, shops, musea, art. galleries, lobbies, corridors, stairwells, washrooms, reception areas, exhibitions, display cabinets





## MASTER LEDspot E27

Power (Rated) $\hat{=}$ replaces (W)	Voltage (V)	Bulb Shape	Correlated Color Temperature (K)	Beam Angle (°)	Luminous Flux (Rated) (lm)	Luminous Intensity (cd)	Luminous Efficacy (Rated) (lm/W)	Rated Lifetime (h)	Switching Cycle	mm	EAN - 1	
5.5 $\hat{=}$ 50	230	PAR20	2,700	40	480	950	87.00	45,000	Yes	20000X	1	8718696460696
5.5 $\hat{=}$ 50	230	PAR20	3,000	25	490	2,050	89.00	45,000	Yes	20000X	1	8718696460658
5.5 $\hat{=}$ 50	230	PAR20	3,000	40	490	970	89.00	45,000	Yes	20000X	1	8718696460719
5.5 $\hat{=}$ 50	230	PAR20	4,000	40	520	1,000	94.00	45,000	Yes	20000X	1	8718696460733
6 $\hat{=}$ 50	220-240	PAR20	2,700	25	500	1,500	86.67	25,000	Yes	25000X		8718696713563
6 $\hat{=}$ 50	220-240	PAR20	2,700	40	500	800	86.67	25,000	Yes	25000X		8718696713709
6 $\hat{=}$ 50	220-240	PAR20	3,000	25	515	1,500	89.17	25,000	Yes	25000X		8718696713662
6 $\hat{=}$ 50	220-240	PAR20	3,000	40	515	800	89.17	25,000	Yes	25000X		8718696713723
6 $\hat{=}$ 50	220-240	PAR20	4,000	25	540	1,500	92.50	25,000	Yes	25000X		8718696713686
6 $\hat{=}$ 50	220-240	PAR20	4,000	40	540	800	92.50	25,000	Yes	25000X		8718696713747
9 $\hat{=}$ 60	220-240	PAR38	2,700	25	750	1,800	88.89	15,000	No	25000X	2	8718696714560
9.5 $\hat{=}$ 75	220-240	PAR30S	2,700	25	740	3,500	83.16	25,000	Yes	25000X	3	8718696713808
9.5 $\hat{=}$ 75	220-240	PAR30S	3,000	25	760	3,500	85.26	25,000	Yes	25000X	3	8718696713907
9.5 $\hat{=}$ 75	220-240	PAR30S	4,000	25	820	3,500	92.63	25,000	Yes	25000X	3	8718696713846
13 $\hat{=}$ 100	220-240	PAR38	2,700	25	875	4,000	76.92	25,000	Yes	25000X	2	8718696713761

Commercial product name			National Lamp Fee <sup>1</sup>	Net Trade Price per Piece (€ net)	National Discount Group	EAN - 1
MAS LEDspot CLA D 6-50W 827 PAR20 25D	A+	6	fee relevant	8,60	L1	8718696713563
MAS LEDspot CLA D 6-50W 827 PAR20 40D	A+	6	fee relevant	8,60	L1	8718696713709
MAS LEDspot CLA D 6-50W 830 PAR20 25D	A+	6	fee relevant	8,60	L1	8718696713662
MAS LEDspot CLA D 6-50W 830 PAR20 40D	A+	6	fee relevant	8,60	L1	8718696713723
MAS LEDspot CLA D 6-50W 840 PAR20 25D	A+	6	fee relevant	8,60	L1	8718696713686
MAS LEDspot CLA D 6-50W 840 PAR20 40D	A+	6	fee relevant	8,60	L1	8718696713747
MAS LEDspot CLA D 9.5-75W 827 PAR30S 25D	A+	6	fee relevant	11,80	L1	8718696713808
MAS LEDspot CLA D 9.5-75W 830 PAR30S 25D	A+	6	fee relevant	11,80	L1	8718696713907
MAS LEDspot CLA D 9.5-75W 840 PAR30S 25D	A+	6	fee relevant	11,80	L1	8718696713846
MAS LEDspot CLA D 13-100W 827 PAR38 25D	A+	6	fee relevant	17,20	L1	8718696713761
MAS LEDspot CLA ND 9-60W 827 PAR38 25D	A+	6	fee relevant	18,80	L1	8718696714560

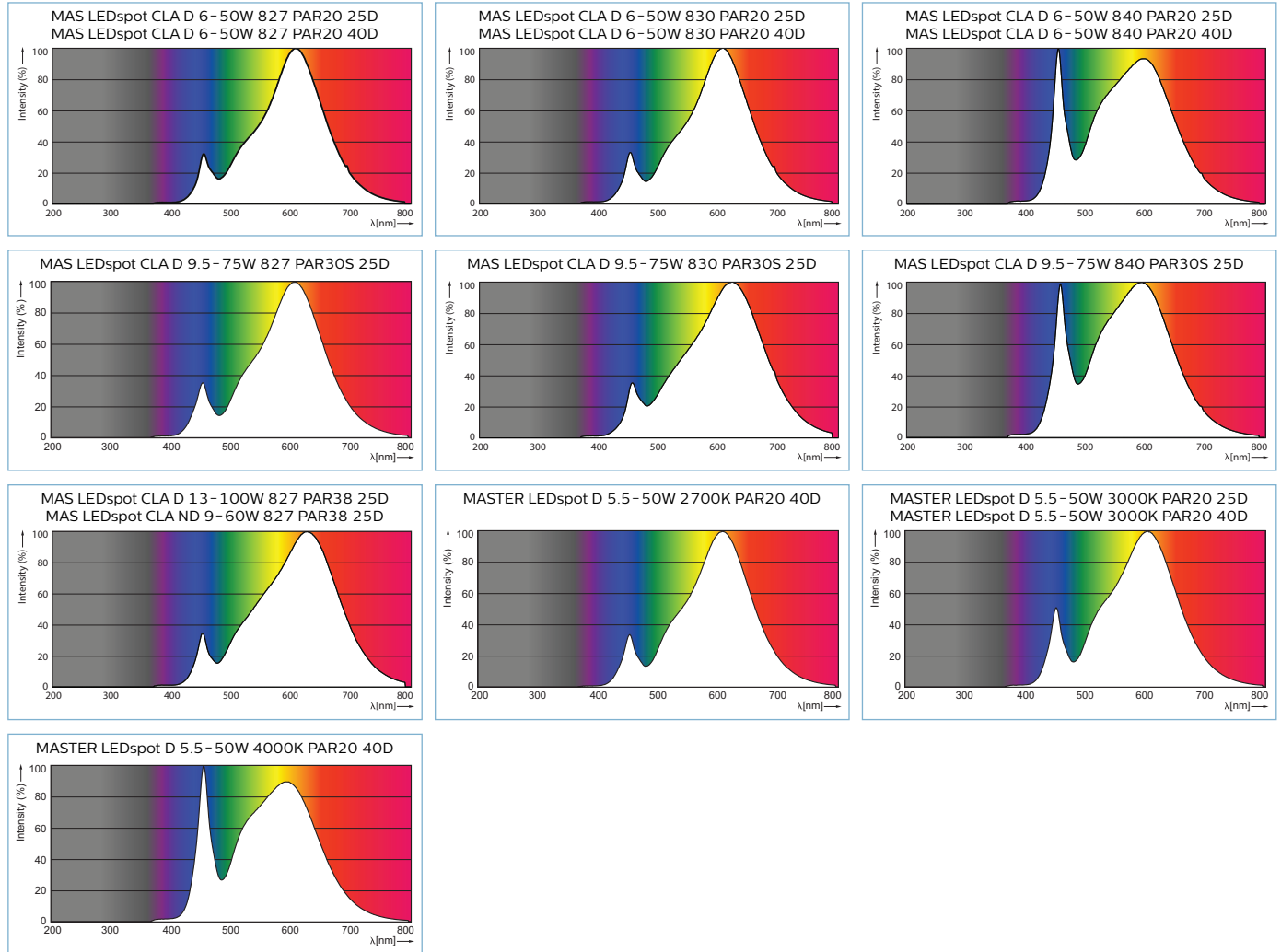
More data see next page

Commercial product name			National Lamp Fee <sup>1</sup>	Net Trade Price per Piece (€ net)	National Discount Group	EAN - 1
Z MASTER LEDspot D 5.5-50W 2700K PAR20 40D	A+	6	fee relevant	8,60	L1	8718696460696
Z MASTER LEDspot D 5.5-50W 3000K PAR20 25D	A+	6	fee relevant	8,60	L1	8718696460658
Z MASTER LEDspot D 5.5-50W 3000K PAR20 40D	A+	6	fee relevant	8,60	L1	8718696460719
Z MASTER LEDspot D 5.5-50W 4000K PAR20 40D	A+	6	fee relevant	8,60	L1	8718696460733

<sup>1</sup> Product fee relevant according local regulation

Z = available until stock lasts

### Spectral power distribution



## CorePro LEDspot LV



### The affordable LEDspot solution

CorePro LEDspots are a perfect fit for spot lighting and deliver warm halogen-like light. They are compatible with most existing fixtures with MR16 GU5.3 holders and are designed as a retrofit replacement for halogen or incandescent spots. CorePro LEDspots deliver huge energy savings and minimize maintenance cost.

#### Benefits

- Up to 80% energy saving compared with halogen lamps

- Lower maintenance costs
- Broad compatibility with transformers

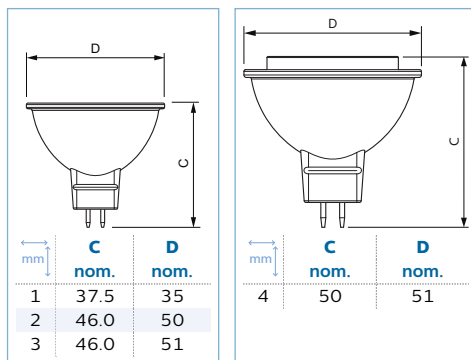
#### Features

- Easy retrofit
- Lifetime of 15,000 hours
- UV- and IR-free light
- Free of mercury and hazardous materials

#### Application

- Hotels, restaurants, bars, cafés, museums, shops
- Lobbies, corridors, stairwells, washrooms, reception areas, exhibitions, display cabinets

01



## CorePro LEDspotLV 12V

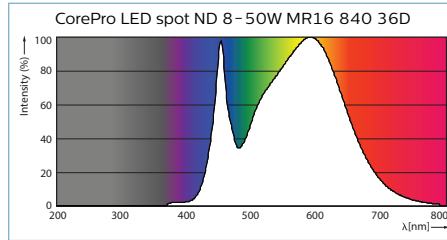
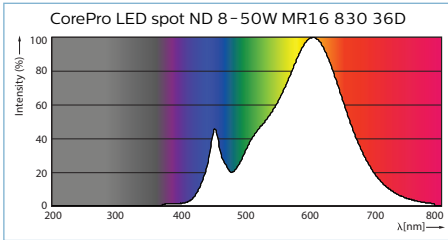
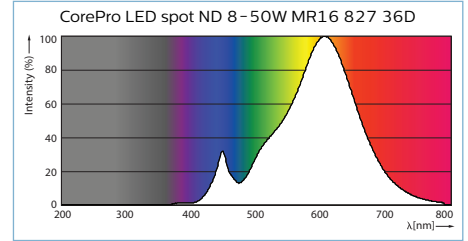
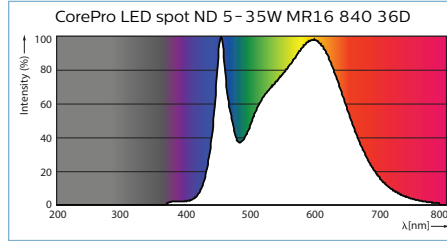
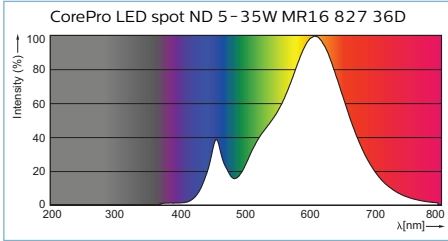
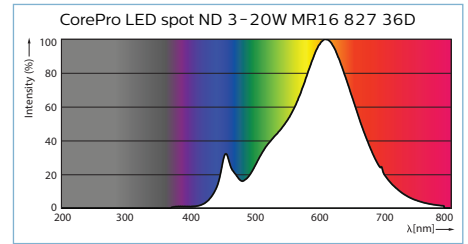
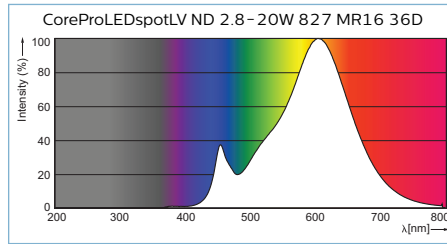
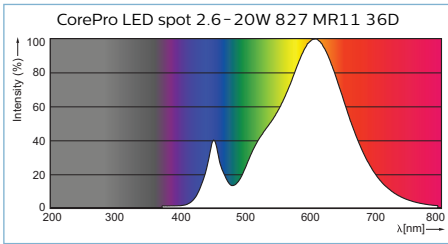
Power (Rated) $\triangleq$ replaces (W)	Bulb Shape	Correlated Color Temperature (K)	Bulb Shape	Luminous Flux (Rated) (lm)	Luminous Intensity (cd)	Luminous Efficacy (Rated) (lm/W)	Rated Lifetime (h)	Switching Cycle	mm	EAN-1		
2.6 $\triangleq$ 20	GU4	MR11	2,700	36	190	400	63.33	15,000	No	50000X	1	8718696708682
2.8 $\triangleq$ 20	GU5.3	MR16	2,700	36	250	500	89.29	15,000	No	50000X	2	8718696579398
3 $\triangleq$ 20	GU5.3	MR16	2,700	36	230	600	76.67	15,000	No	50000X	3	8718696710616
5 $\triangleq$ 35	GU5.3	MR16	2,700	36	345	650	69.00	15,000	No	50000X	3	8718696710630
5 $\triangleq$ 35	GU5.3	MR16	4,000	36	390	650	78.00	15,000	No	50000X	3	8718696710654
8 $\triangleq$ 50	GU5.3	MR16	2,700	36	621	1,100	77.63	15,000	No	50000X	4	8718696710678
8 $\triangleq$ 50	GU5.3	MR16	3,000	36	621	1,100	77.63	15,000	No	50000X	4	8718696710692
8 $\triangleq$ 50	GU5.3	MR16	4,000	36	630	1,100	78.75	15,000	No	50000X	4	8718696710890

Commercial product name	Energy Class	National Lamp Fee <sup>1</sup>	Net Trade Price per Piece (€ net)	National Discount Group	EAN-1
CorePro LED spot 2.6-20W 827 MR11 36D	A+	12	10.80	L6	8718696708682
Z CoreProLEDspotLV ND 2.8-20W 827 MR16 36D	A++	10	3.30	L6	8718696579398
CorePro LED spot ND 3-20W MR16 827 36D	A++	10	3.20	L6	8718696710616
CorePro LED spot ND 5-35W MR16 827 36D	A+	10	3.50	L6	8718696710630
CorePro LED spot ND 5-35W MR16 840 36D	A+	10	3.50	L6	8718696710654
CorePro LED spot ND 8-50W MR16 827 36D	A+	10	7.50	L6	8718696710678
CorePro LED spot ND 8-50W MR16 830 36D	A+	10	7.50	L6	8718696710692
CorePro LED spot ND 8-50W MR16 840 36D	A+	10	7.50	L6	8718696710890

<sup>1</sup> Product fee relevant according local regulation

Z = available until stock lasts

## Spectral power distribution





## CorePro LEDspot MV



### The affordable LEDspot solution

CorePro LEDspots are a perfect fit for spot lighting and deliver warm halogen-like light. They are compatible with most existing fixtures with a GU10 or E27 base and are designed as a retrofit replacement for halogen or incandescent spots. CorePro LEDspots deliver significant energy savings and minimize maintenance cost.

#### Benefits

- Warm white light
- Up to 80% energy saving compared with halogen lamps
- Lower maintenance costs

#### Features

- Easy retrofit
- Lifetime of 15,000 hours
- Compatible with an extensive range of dimmers
- UV- and IR-free light
- Free of mercury and hazardous materials – RoHS Compliant

#### Application



- Hotels, restaurants, bars, cafés, museums, shops
- Lobbies, corridors, stairwells, washrooms, reception areas, exhibitions, display cabinets



<b>C</b> nom.	<b>C</b> nom.	<b>C</b> nom.	<b>C</b> nom.	<b>C</b> nom.
<b>D</b> nom.	<b>D</b> nom.	<b>D</b> nom.	<b>D</b> nom.	<b>D</b> nom.
1   81   51	2   66   39	3   102   63	4   53   50 5   54   50 6   55   50	7   113   80

## CorePro LEDspotMV 220-240V

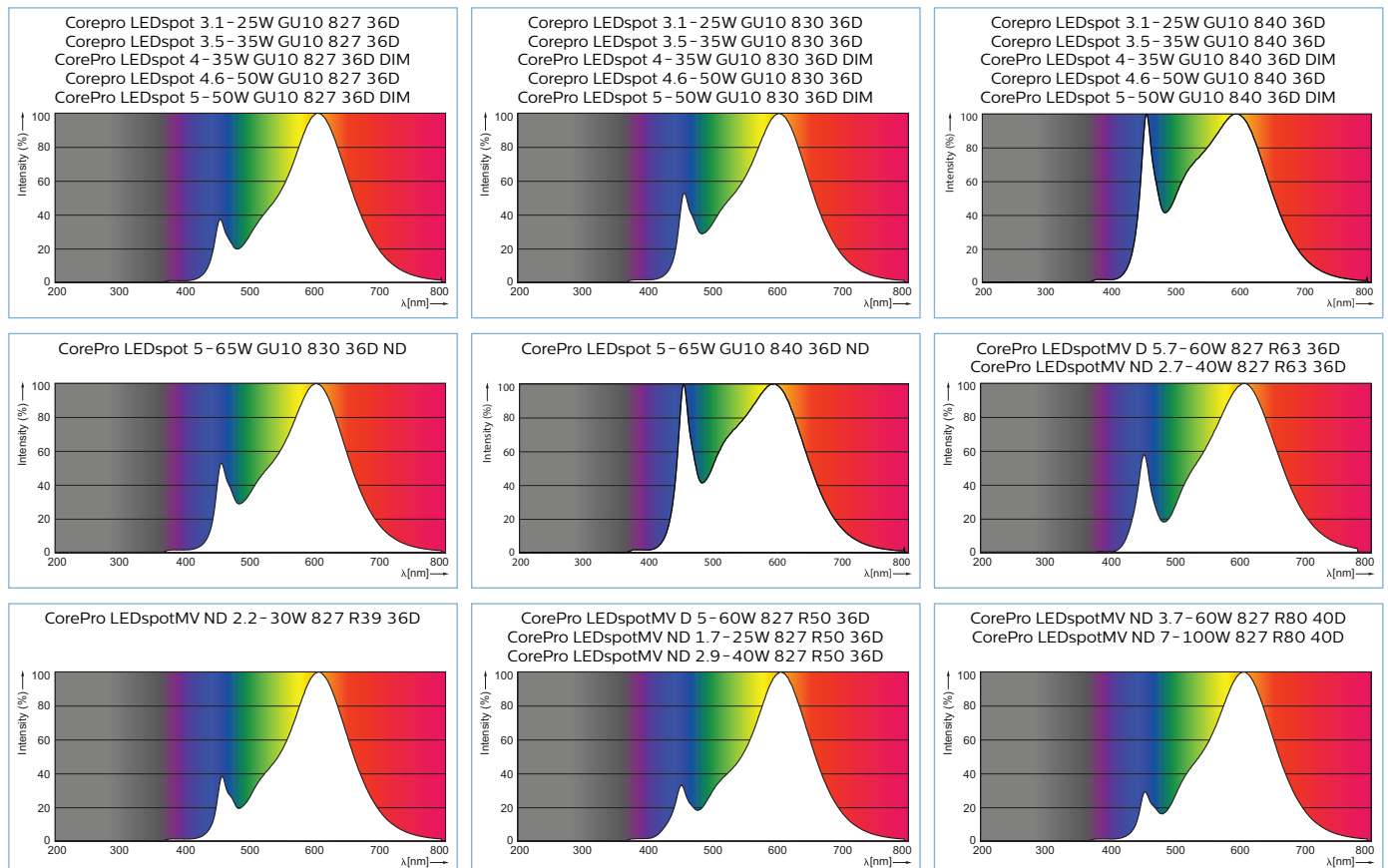
Power (Rated) $\triangleq$ replaces (W)	Bulb Shape	Correlated Color Temperature (K)	Bulb Shape	Luminous Flux (Rated) (lm)	Luminous Intensity (cd)	Luminous Efficacy (Rated) (lm/W)	Rated Lifetime (h)	Switching Cycle	mm	EAN-1		
1.7 $\triangleq$ 25	E14	R50	2,700	36	135	310	79.41	15,000	No	5000X	1	8718696578490
2.2 $\triangleq$ 30	E14	R39	2,700	36	150	250	68.18	15,000	No	5000X	2	8718696584040
2.7 $\triangleq$ 40	E27	R63	2,700	36	210	450	77.78	15,000	No	5000X	3	8718696578599
2.9 $\triangleq$ 40	E14	R50	2,700	36	230	530	79.31	15,000	No	5000X	1	8718696578513
3.1 $\triangleq$ 25	GU10	PAR16	2,700	36	215	470	69.35	15,000	No	5000X	4	8718696752098
3.1 $\triangleq$ 25	GU10	PAR16	3,000	36	225	490	72.58	15,000	No	5000X	5	8718696728291
3.1 $\triangleq$ 25	GU10	PAR16	4,000	36	230	500	74.19	15,000	No	5000X	5	8718696728314
3.5 $\triangleq$ 35	GU10	PAR16	2,700	36	255	545	72.86	15,000	No	5000X	5	8718696752531
3.5 $\triangleq$ 35	GU10	PAR16	3,000	36	265	565	75.71	15,000	No	5000X	5	8718696728338
3.5 $\triangleq$ 35	GU10	PAR16	4,000	36	275	590	78.57	15,000	No	5000X	5	8718696728352
3.7 $\triangleq$ 60	E27	R80	2,700	40	370	850	100.00	15,000	No	5000X	7	8718696584064
4 $\triangleq$ 35	GU10	PAR16	2,700	36	250	540	62.50	15,000	Yes	5000X	5	8718696721339
4 $\triangleq$ 35	GU10	PAR16	3,000	36	260	540	65.00	15,000	Yes	5000X	5	8718696721353
4 $\triangleq$ 35	GU10	PAR16	4,000	36	270	540	67.50	15,000	Yes	5000X	5	8718696730225
4.6 $\triangleq$ 50	GU10	PAR16	2,700	36	355	700	77.17	15,000	No	5000X	5	8718696752517
4.6 $\triangleq$ 50	GU10	PAR16	3,000	36	370	740	80.43	15,000	No	5000X	5	8718696728376
4.6 $\triangleq$ 50	GU10	PAR16	4,000	36	390	770	84.78	15,000	No	5000X	5	8718696728390
4.6 $\triangleq$ 50	GU10	PAR16	6,500	36	390	770	84.78	15,000	No	5000X	5	8718696728413
5	GU10	PAR16	3,000	120	550		84.78	15,000	No	5000X	6	8718696686881
5	GU10	PAR16	4,000	120	550		84.78	15,000	No	5000X	6	8718696686904
5	GU10	PAR16	6,500	120	550		84.78	15,000	No	5000X	6	8718696686928
5 $\triangleq$ 50	GU10	PAR16	2,700	36	350	710	70.00	15,000	Yes	5000X	5	8718696721377
5 $\triangleq$ 50	GU10	PAR16	3,000	36	365	710	73.00	15,000	Yes	5000X	5	8718696721391
5 $\triangleq$ 50	GU10	PAR16	4,000	36	380	710	76.00	15,000	Yes	5000X	5	8718696730249
5 $\triangleq$ 60	E14	R50	2,700	36	320	735	64.00	15,000	Yes	5000X	1	8718696578537
5 $\triangleq$ 65	GU10	PAR16	3,000	36	460	800	92.00	15,000	No	5000X	5	8718696743850
5 $\triangleq$ 65	GU10	PAR16	4,000	36	485	800	97.00	15,000	No	5000X	5	8718696743874
5.7 $\triangleq$ 60	E27	R63	2,700	36	345	600	60.53	15,000	Yes	5000X	3	8718696589588
7 $\triangleq$ 100	E27	R80	2,700	40	667	1,500	95.29	15,000	No	5000X	7	8718696584088

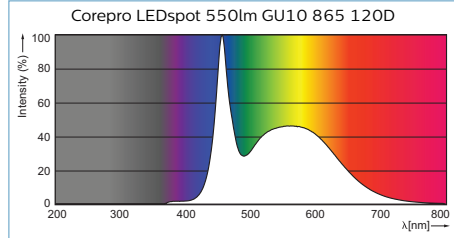
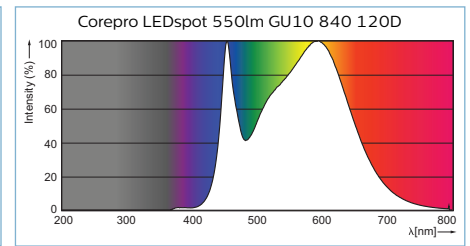
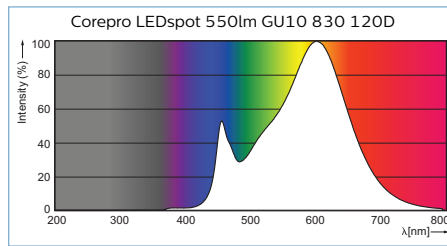
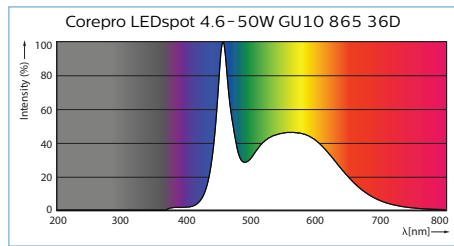
Commercial product name			National Lamp Fee <sup>1</sup>	Net Trade Price per Piece (€ net)	National Discount Group	EAN - 1
CorePro LEDspot 4-35W GU10 827 36D DIM	A+	10	fee relevant	3,70	L6	8718696721339
CorePro LEDspot 4-35W GU10 830 36D DIM	A+	10	fee relevant	3,70	L6	8718696721353
CorePro LEDspot 4-35W GU10 840 36D DIM	A+	10	fee relevant	3,70	L6	8718696730225
CorePro LEDspot 5-50W GU10 827 36D DIM	A+	10	fee relevant	4,00	L6	8718696721377
CorePro LEDspot 5-50W GU10 830 36D DIM	A+	10	fee relevant	4,00	L6	8718696721391
CorePro LEDspot 5-50W GU10 840 36D DIM	A+	10	fee relevant	4,00	L6	8718696730249
CorePro LEDspot 5-65W GU10 830 36D ND	A++	10	fee relevant	3,60	L6	8718696743850
CorePro LEDspot 5-65W GU10 840 36D ND	A++	10	fee relevant	3,60	L6	8718696743874
CorePro LEDspotMV D 5-60W 827 R50 36D	A+	6	fee relevant	4,90	L6	8718696578537
CorePro LEDspotMV D 5.7-60W 827 R63 36D	A+	6	fee relevant	7,50	L6	8718696589588
CorePro LEDspotMV ND 1.7-25W 827 R50 36D	A++	6	fee relevant	3,80	L6	8718696578490
CorePro LEDspotMV ND 2.2-30W 827 R39 36D	A++	6	fee relevant	3,60	L6	8718696584040
CorePro LEDspotMV ND 2.7-40W 827 R63 36D	A++	6	fee relevant	5,70	L6	8718696578599
CorePro LEDspotMV ND 2.9-40W 827 R50 36D	A++	6	fee relevant	4,20	L6	8718696578513
CorePro LEDspotMV ND 3.7-60W 827 R80 40D	A++	6	fee relevant	5,40	L6	8718696584064
CorePro LEDspotMV ND 7-100W 827 R80 40D	A++	6	fee relevant	6,30	L6	8718696584088
Corepro LEDspot 3.1-25W GU10 827 36D	A+	10	fee relevant	2,20	L6	8718696752098
Corepro LEDspot 3.1-25W GU10 830 36D	A++	10	fee relevant	2,20	L6	8718696728291
Corepro LEDspot 3.1-25W GU10 840 36D	A++	10	fee relevant	2,20	L6	8718696728314
Corepro LEDspot 3.5-35W GU10 827 36D	A+	10	fee relevant	2,20	L6	8718696752531
Corepro LEDspot 3.5-35W GU10 830 36D	A++	10	fee relevant	2,20	L6	8718696728338
Corepro LEDspot 3.5-35W GU10 840 36D	A++	10	fee relevant	2,20	L6	8718696728352
Corepro LEDspot 4.6-50W GU10 827 36D	A+	10	fee relevant	2,50	L6	8718696752517
Corepro LEDspot 4.6-50W GU10 830 36D	A+	10	fee relevant	2,50	L6	8718696728376
Corepro LEDspot 4.6-50W GU10 840 36D	A++	10	fee relevant	2,50	L6	8718696728390
Corepro LEDspot 4.6-50W GU10 865 36D	A++	10	fee relevant	2,50	L6	8718696728413
Corepro LEDspot 550lm GU10 830 120D	A+	10	fee relevant	2,50	L6	8718696686881
Corepro LEDspot 550lm GU10 840 120D	A+	10	fee relevant	2,50	L6	8718696686904
Corepro LEDspot 550lm GU10 865 120D	A+	10	fee relevant	2,50	L6	8718696686928

<sup>1</sup> Product fee relevant according local regulation

★ = First choice

### Spectral power distribution





## MASTER LED candles and lusters



### Eye-catching design for chandeliers and other decorative fixtures

Delivering incandescent-like sparkling light effects, MASTER LED candles and lusters are ideal for general and decorative lighting in the hospitality industry as well as in home environments. Mounted in full view in chandeliers, wall scones or modern luminaires, the clear or frosted glass candles and lusters fit all existing fixtures with an E14, B15, B22 or E27 socket, and enhance the aesthetic appeal of the chandelier or luminaire both when on and off, with their unique, eye-catching lens design. They produce a beautiful sparkling warm light that delivers huge energy savings and minimizes maintenance cost.

- Up to 80% energy saving
- Lower maintenance costs

#### Features

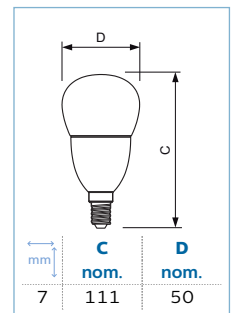
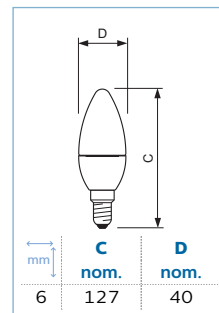
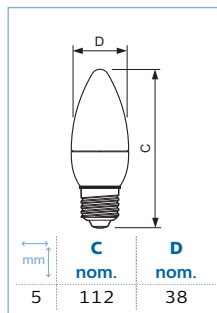
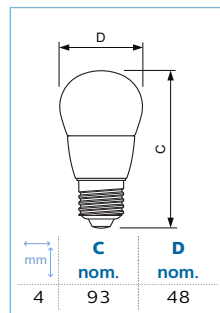
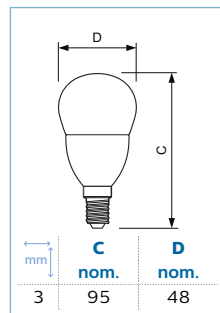
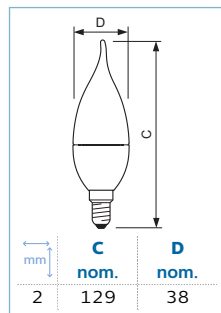
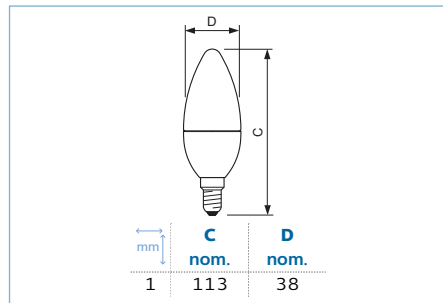
- Retrofittable with existing E14, B15, B22 and E27 holders (all sockets available for candles, and E14, B22 and E27 for lusters)
- Lifetime of 25,000 hours
- The more the light is dimmed, the warmer it gets with the DimTone light effect
- Received Red Dot award 2016 (an internationally recognised quality seal rewarding products with the best design)
- Free of mercury and hazardous materials

#### Application

- Hotels, restaurants, bars, cafés
- Chandelier, wall scone or modern luminaire

#### Benefits



- Sparkling warm white light



### MASTER LED candle/lustre 220-240V

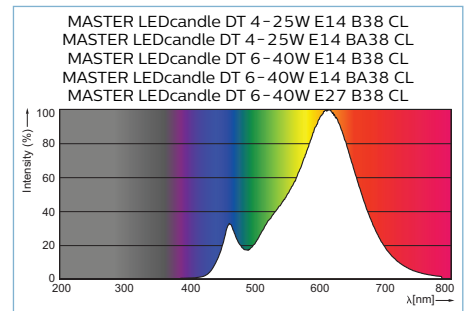
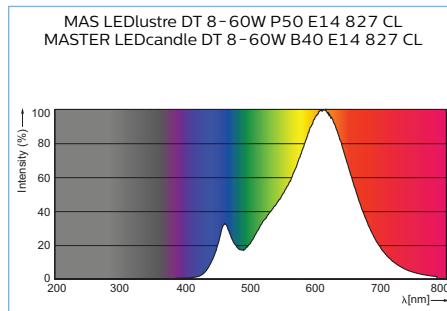
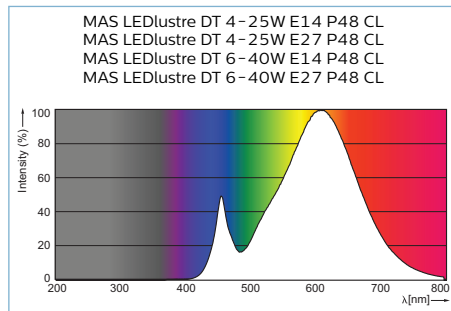
Power (Rated) ≙ replaces	Bulb Shape	Correlated Color Temperature	Luminous Flux (Rated)	Luminous Efficacy (Rated)	Rated Lifetime	Switching Cycle	mm	EAN-1		
(W)		(K)	(lm)	(lm/W)	(h)					
4 ≙ 25	E14	B38	2,200-2,700	250	65	25,000	Yes	50000X	1	8718696453681
4 ≙ 25	E14	BA38	2,200-2,700	250	65	25,000	Yes	50000X	2	8718696453766
4 ≙ 25	E14	P48	2,200-2,700	250	65	25,000	Yes	50000X	3	8718696453780
4 ≙ 25	E27	P48	2,200-2,700	250	65	25,000	Yes	50000X	4	8718696453803
6 ≙ 40	E14	B38	2,200-2,700	470	75	25,000	Yes	50000X	1	8718696453506
6 ≙ 40	E14	BA38	2,200-2,700	470	75	25,000	Yes	50000X	2	8718696453544
6 ≙ 40	E14	P48	2,200-2,700	470	75	25,000	Yes	50000X	3	8718696453582
6 ≙ 40	E27	B38	2,200-2,700	470	75	25,000	Yes	50000X	5	8718696474792
6 ≙ 40	E27	P48	2,200-2,700	470	75	25,000	Yes	50000X	4	8718696453605
8 ≙ 60	E14	B40	2,200-2,700	806	100	25,000	Yes	50000X	6	8718696555996
8 ≙ 60	E14	P50	2,200-2,700	806	100	25,000	Yes	50000X	7	8718696580677



Commercial product name			National Lamp Fee <sup>1</sup>	Net Trade Price per Piece (€ net)	National Discount Group	EAN - 1
MAS LEDlustre DT 4-25W E14 P48 CL	A+	10	fee relevant	3,60	L1	8718696453780
MAS LEDlustre DT 4-25W E27 P48 CL	A+	10	fee relevant	3,60	L1	8718696453803
MAS LEDlustre DT 6-40W E14 P48 CL	A+	10	fee relevant	4,40	L1	8718696453582
MAS LEDlustre DT 6-40W E27 P48 CL	A+	10	fee relevant	4,40	L1	8718696453605
MAS LEDlustre DT 8-60W P50 E14 827 CL	A+	10	fee relevant	6,00	L1	8718696580677
MASTER LEDcandle DT 4-25W E14 B38 CL	A+	10	fee relevant	3,60	L1	8718696453681
MASTER LEDcandle DT 4-25W E14 BA38 CL	A+	10	fee relevant	3,60	L1	8718696453766
MASTER LEDcandle DT 6-40W E14 B38 CL	A+	10	fee relevant	4,40	L1	8718696453506
MASTER LEDcandle DT 6-40W E14 BA38 CL	A+	10	fee relevant	4,40	L1	8718696453544
MASTER LEDcandle DT 6-40W E27 B38 CL	A+	10	fee relevant	4,40	L1	8718696474792
MASTER LEDcandle DT 8-60W B40 E14 827 CL	A+	10	fee relevant	6,00	L1	8718696555996

<sup>1</sup> Product fee relevant according local regulation

## Spectral power distribution





## CorePro LED candles and lusters



### The affordable LED candle and luster solution

The CorePro LEDcandles and lusters are designed for retrofit replacement of incandescent lamps, and are particularly attractive for chandeliers. They are compatible with fixtures with an E14 holder for candles and E14 or E27 holders for lusters, and are available in either warm white, white or cool daylight color temperatures. LED lamps deliver huge energy savings and minimize maintenance cost. The CorePro LED candles and lusters are perfect for your basic lighting needs. They provide the beautiful light and dependable performance you expect from LED at an affordable price.

#### Benefits

- Up to 80% energy - saving compared with halogen lamps

- Low maintenance cost
- Broad compatibility with transformers

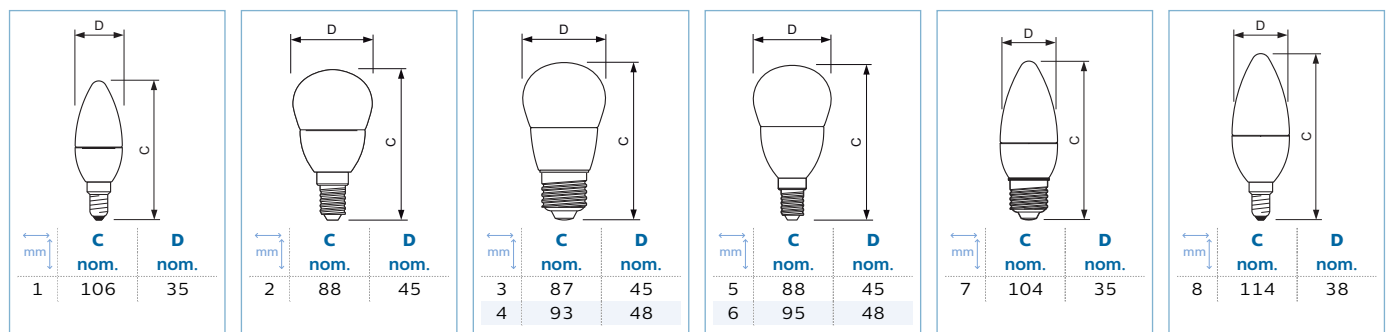
#### Features

- Easy retrofit
- Instant full light on: Philips LED light bulbs provide their full level of brightness immediately upon switching on
- Available in clear and frosted versions
- Lifetime of 15,000 hours
- UV- and IR-free light

#### Application



- Hotels, restaurants, bars, cafés, museums, shops
- Lobbies, reception areas, exhibitions

01



### CorePro LEDcandle/lustre 220-240V

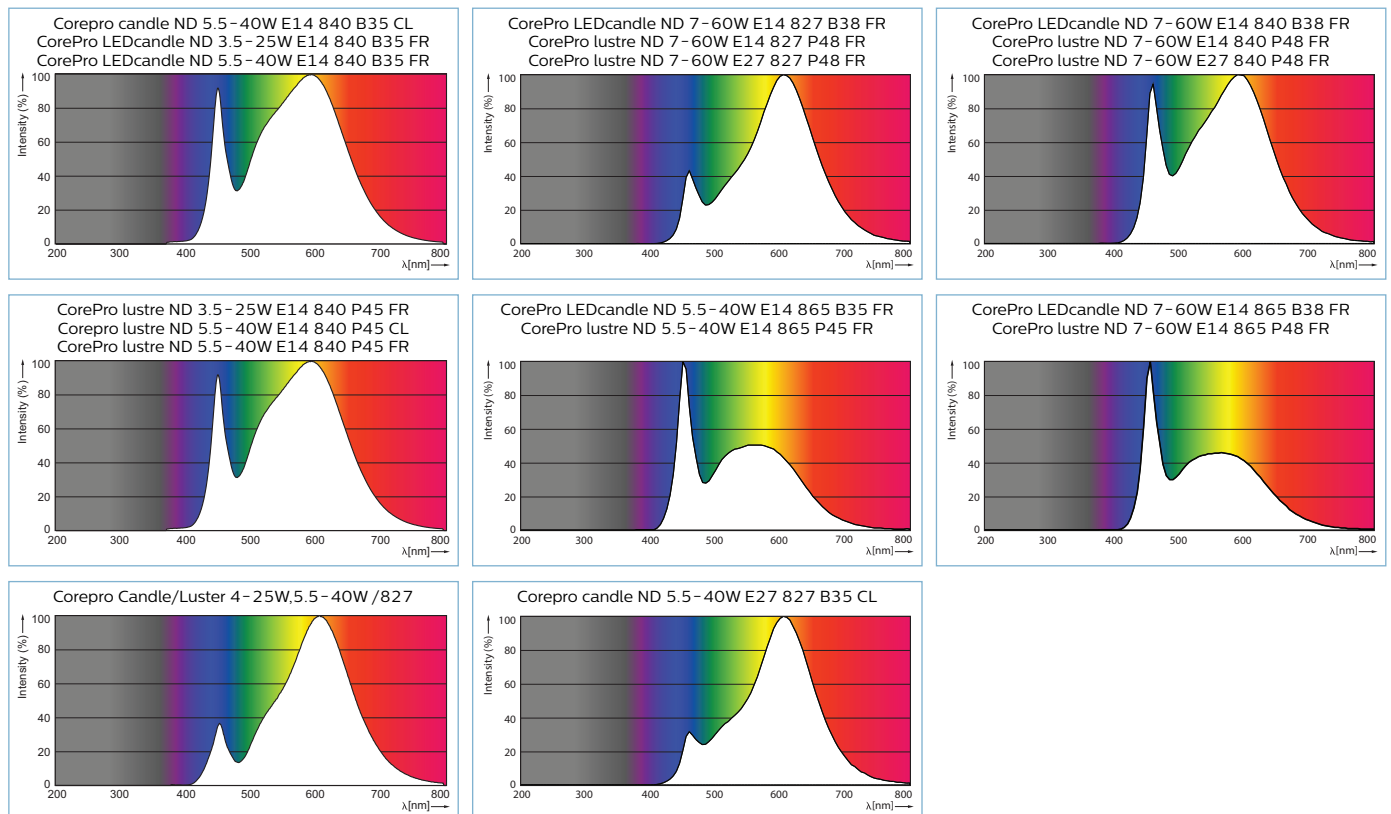
Power (Rated) △ replaces (W)	Bulb Shape	Correlated Color Temperature (K)	Luminous Flux (Rated) (lm)	Luminous Efficacy (Rated) (lm/W)	Rated Lifetime (h)	Switching Cycle	mm	EAN - 1
3.5 ± 25	E14	B35	290	82.86	15,000	No	50000X	1 8718696543481
3.5 ± 25	E14	P45	290	82.86	15,000	No	50000X	2 8718696543528
4 ± 25	E14	B35	250	62.50	15,000	No	50000X	1 8718291787013
4 ± 25	E14	B35	250	62.50	15,000	No	50000X	1 8718696507575
4 ± 25	E14	P45	250	62.50	15,000	No	50000X	2 8718291787037
4 ± 25	E14	P45	250	62.50	15,000	No	50000X	2 8718696507599
4 ± 25	E27	P45	250	62.50	15,000	No	50000X	3 8718291787051
4 ± 25	E27	P45	250	62.50	15,000	No	50000X	3 8718696507674
5.5 ± 40	E14	B35	470	85.45	15,000	No	50000X	1 8718696454794
5.5 ± 40	E14	B35	520	94.55	15,000	No	50000X	1 8718696543405
5.5 ± 40	E14	B35	520	94.55	15,000	No	50000X	1 8718696543566
5.5 ± 40	E14	B35	520	94.55	15,000	No	50000X	1 8718696746813
5.5 ± 40	E14	P45	470	85.45	15,000	No	50000X	2 8718696474891
5.5 ± 40	E14	P45	470	90.91	15,000	No	50000X	2 8718696454831
5.5 ± 40	E14	P45	520	94.55	15,000	No	50000X	2 8718696543443
5.5 ± 40	E14	P45	520	94.55	15,000	No	50000X	2 8718696543603
5.5 ± 40	E14	P45	520	94.55	15,000	No	50000X	5 8718696746837
5.5 ± 40	E27	B35	470	85.45	15,000	No	50000X	3 8718696702857
5.5 ± 40	E27	P45	470	90.91	15,000	No	50000X	7 8718696507636
5.5 ± 40	E27	P45	470	90.91	15,000	No	50000X	3 8718696507650
7 ± 60	E14	B38	806	115.14	15,000	No	50000X	8 8718696702994
7 ± 60	E14	B38	830	118.57	15,000	No	50000X	8 8718696703052
7 ± 60	E14	B38	830	118.57	15,000	No	50000X	8 8718696746851
7 ± 60	E14	P48	806	115.14	15,000	No	50000X	6 8718696703014
7 ± 60	E14	P48	830	118.57	15,000	No	50000X	6 8718696703076
7 ± 60	E14	P48	830	118.57	15,000	No	50000X	6 8718696746875
7 ± 60	E27	P48	806	115.14	15,000	No	50000X	4 8718696703038
7 ± 60	E27	P48	830	118.57	15,000	No	50000X	4 8718696703090

Commercial product name			National Lamp Fee <sup>1</sup>	Net Trade Price per Piece (€ net)	National Discount Group	EAN - 1
CorePro LEDcandle ND 3.5-25W E14 840 B35 FR	A+	10	fee relevant	1.80	L6	8718696543481
CorePro LEDcandle ND 4-25W E14 827 B35 FR	A+	10	fee relevant	1.80	L6	8718291787013
CorePro LEDcandle ND 5.5-40W E14 840 B35 FR	A+	10	fee relevant	2.30	L6	8718696543566
CorePro LEDcandle ND 5.5-40W E14 865 B35 FR	A+	10	fee relevant	2.30	L6	8718696746813
CorePro LEDcandle ND 7-60W E14 827 B38 FR	A++	10	fee relevant	3.60	L6	8718696702994
CorePro LEDcandle ND 7-60W E14 840 B38 FR	A++	10	fee relevant	3.60	L6	8718696703052
CorePro LEDcandle ND 7-60W E14 865 B38 FR	A++	10	fee relevant	3.60	L6	8718696746851
CorePro lustre ND 3.5-25W E14 840 P45 FR	A+	10	fee relevant	1.80	L6	8718696543528
CorePro lustre ND 4-25W E14 827 P45 FR	A+	10	fee relevant	1.80	L6	8718291787037
CorePro lustre ND 4-25W E27 827 P45 FR	A+	10	fee relevant	1.80	L6	8718291787051
CorePro lustre ND 5.5-40W E14 827 P45 FR	A+	10	fee relevant	2.30	L6	8718696474891
CorePro lustre ND 5.5-40W E14 840 P45 FR	A+	10	fee relevant	2.30	L6	8718696543603
CorePro lustre ND 5.5-40W E14 865 P45 FR	A+	10	fee relevant	2.30	L6	8718696746837
CorePro lustre ND 7-60W E14 827 P48 FR	A++	10	fee relevant	3.60	L6	8718696703014
CorePro lustre ND 7-60W E14 840 P48 FR	A++	10	fee relevant	3.60	L6	8718696703076
CorePro lustre ND 7-60W E14 865 P48 FR	A++	10	fee relevant	3.60	L6	8718696746875
CorePro lustre ND 7-60W E27 827 P48 FR	A++	10	fee relevant	3.60	L6	8718696703038
CorePro lustre ND 7-60W E27 840 P48 FR	A++	10	fee relevant	3.60	L6	8718696703090
Corepro Candle ND 4-25W E14 827 B35 CL	A+	10	fee relevant	1.80	L6	8718696507575
Corepro Lustre ND 4-25W E14 827 P45 CL	A+	10	fee relevant	1.80	L6	8718696507599
Corepro Lustre ND 4-25W E27 827 P45 CL	A+	10	fee relevant	1.80	L6	8718696507674
Corepro Lustre ND 5.5-40W E27 827 P45 CL	A+	10	fee relevant	2.30	L6	8718696507636
Corepro Lustre ND 5.5-40W E27 827 P45 FR	A+	10	fee relevant	2.30	L6	8718696507650
Corepro candle ND 5.5-40W E14 827 B35 CL	A+	10	fee relevant	2.30	L6	8718696454794
Corepro candle ND 5.5-40W E14 840 B35 CL	A+	10	fee relevant	2.30	L6	8718696543405
Corepro candle ND 5.5-40W E27 827 B35 CL	A+	10	fee relevant	2.30	L6	8718696702857
Corepro lustre ND 5.5-40W E14 827 P45 CL	A+	10	fee relevant	2.30	L6	8718696454831
Corepro lustre ND 5.5-40W E14 840 P45 CL	A+	10	fee relevant	2.30	L6	8718696543443

<sup>1</sup> Product fee relevant according local regulation

★ = First choice

### Spectral power distribution



## Standard LED candles & lusters



### The affordable LED candle solution

Standard LED candles are compatible with existing fixtures with a E27 holder and are designed for retrofit replacement of incandescent, halogen and energy saving candles. They deliver huge energy savings and minimize maintenance costs. The Standard LED candle is the perfect candle for your basic lighting needs. It provides the beautiful light and performance you expect from the LED technology at an affordable price.

#### Benefits

• With a pure and elegant design, this candle is the perfect replacement for your matted conventional candles

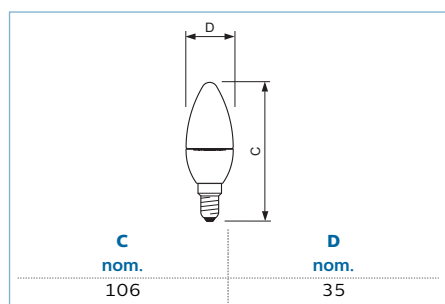
- Up to 90% energy saving compared with traditional incandescent lamps
- Long lifetime with lower maintenance costs

#### Features





- Easy retrofit with existing sockets E27 and E14
- Instant full light on: Philips LED light bulbs provide their full level of brightness immediately upon switching on
- Long lifetime and with very good quality of light
- Available in 3,000 K and 6,500 K
- UV- and IR-free light

#### Application

- Hotels, restaurants, bars, cafés
- Hotel rooms, lobbies, corridors, stairwells, washrooms



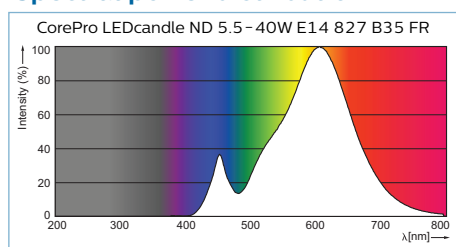
### CorePro LEDcandle 220-240V E14

Power (Rated) <sup>±</sup> replaces <b>(W)</b>	Bulb Shape	Correlated Color Temperature <b>(K)</b>	Luminous Flux (Rated) <b>(lm)</b>	Luminous Efficacy (Rated) <b>(lm/W)</b>	Rated Lifetime <b>(h)</b>		Switching Cycle	EAN-1
5.5 ± 40	B35	2,700	470	85.45	15,000	No	50000X	8718291762386
Commercial product name					National Lamp Fee <sup>1</sup>	Net Trade Price per Piece <b>(€ net)</b>	National Discount Group	EAN-1
CorePro LEDcandle ND 5.5-40W E14 827 B35 FR			A+	10	fee relevant	2,30	L6	8718291762386 

<sup>1</sup> Product fee relevant according local regulation

★ = First choice

### Spectral power distribution



## CorePro LEDcapsule LV



### CorePro LEDcapsule LV – For task lighting and decorative applications

The CorePro LEDcapsule is a true alternative to the halogen capsule. It is particularly suitable for task lighting and decorative applications in homes, shops, hotels and restaurants. Compatible with existing fixtures with G4 holders and designed for retrofit replacement of halogen capsules, CorePro LEDcapsule delivers huge energy savings and minimizes maintenance costs without any compromise on light quality.

#### Benefits

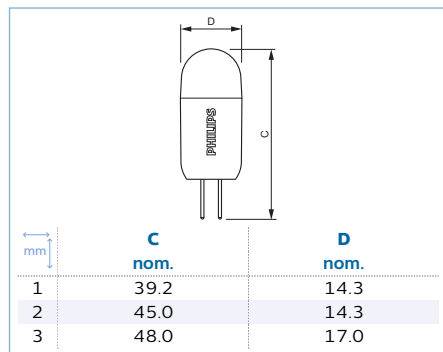
- Up to 88% energy saving compared with halogen lamps
- Broad compatibility with transformers
- Lower maintenance costs

#### Features

- Easy retrofit
- Lifetime of 15,000 hours
- UV- and IR-free light
- Free of mercury and hazardous materials

#### Application

- Hotels, restaurants, bars, cafés
- Lobbies, corridors, stairwells, washrooms, reception areas, under-cabinet fixtures, cabinet lighting



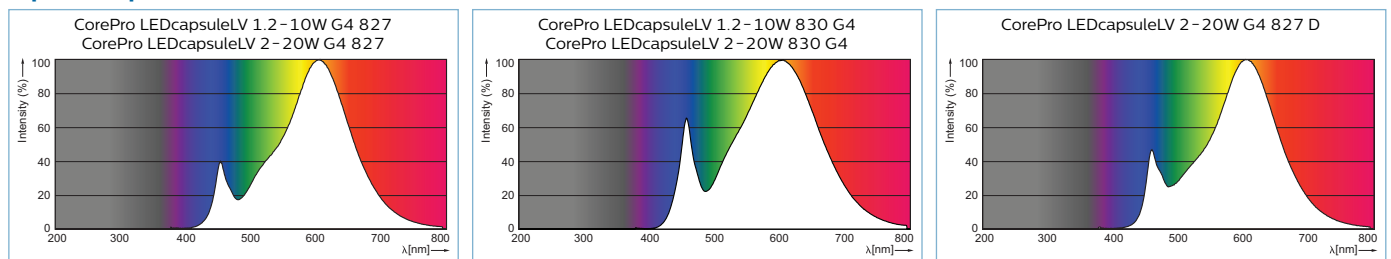
### CorePro LEDcapsuleLV 12V G4

Power (Rated) ≅ replaces (W)	Bulb Shape	Correlated Color Temperature (K)	Luminous Flux (Rated) (lm)	Luminous Efficacy (Rated) (lm/W)	Rated Lifetime (h)	Switching Cycle	Switching Cycle mm	EAN - 1
1.2 ± 10	Capsule	2,700	120	100.0	15,000	No	50000X	1 8718696578179
1.2 ± 10	Capsule	3,000	105	87.5	15,000	No	50000X	1 8718696422281
2 ± 20	Capsule	2,700	200	100.0	15,000	No	50000X	2 8718696578193
2 ± 20	Capsule	2,700	200	100.0	15,000	Yes	50000X	3 8718696578650
2 ± 20	Capsule	3,000	200	100.0	15,000	No	50000X	2 8718696419168

Commercial product name			National Lamp Fee <sup>1</sup>	Net Trade Price per Piece (€ net)	National Discount Group	EAN - 1
CorePro LEDcapsuleLV 1.2 - 10W 830 G4	A++	12	fee relevant	3,20	L6	8718696422281
CorePro LEDcapsuleLV 1.2 - 10W G4 827	A++	12	fee relevant	3,20	L6	8718696578179
CorePro LEDcapsuleLV 2 - 20W 830 G4	A++	12	fee relevant	3,90	L6	8718696419168
CorePro LEDcapsuleLV 2 - 20W G4 827	A++	12	fee relevant	3,90	L6	8718696578193
CorePro LEDcapsuleLV 2 - 20W G4 827 D	A++	12	fee relevant	6,10	L6	8718696578650

<sup>1</sup> Product fee relevant according local regulation

### Spectral power distribution



## CorePro LEDcapsule MV



### Mains-voltage LED specialty product with huge energy saving and high light output

The LED specialties deliver a high quality light to make themselves to be a true replacement of halogen specialty lamp (such as G9 and R7S). It is particularly suit for task lighting in hotel and restaurants, and ideal for decorative and ambient application. LEDspecialty products deliver huge energy saving and minimize maintenance costs, without any compromise on light quality.

#### Benefits

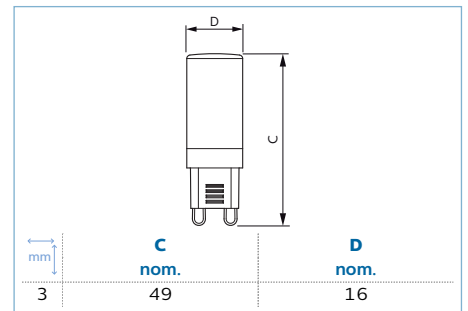
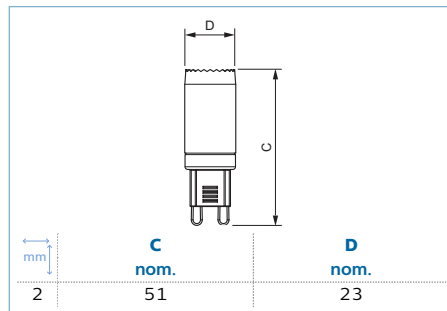
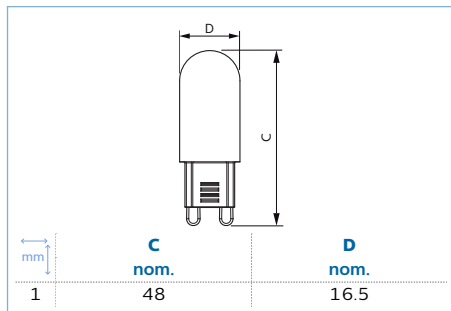
- Up to 90% energy saving compared with halogen lamps
- Lower maintenance costs
- Broad compatibility with transformers

#### Features

- Easy retrofit
- Lifetime of 15,000 hours
- UV- and IR-free light
- Free of mercury and hazardous materials – RoHS compliant

#### Application

- Hotels, museums, shops, washrooms, reception areas, exhibitions, display cabinets



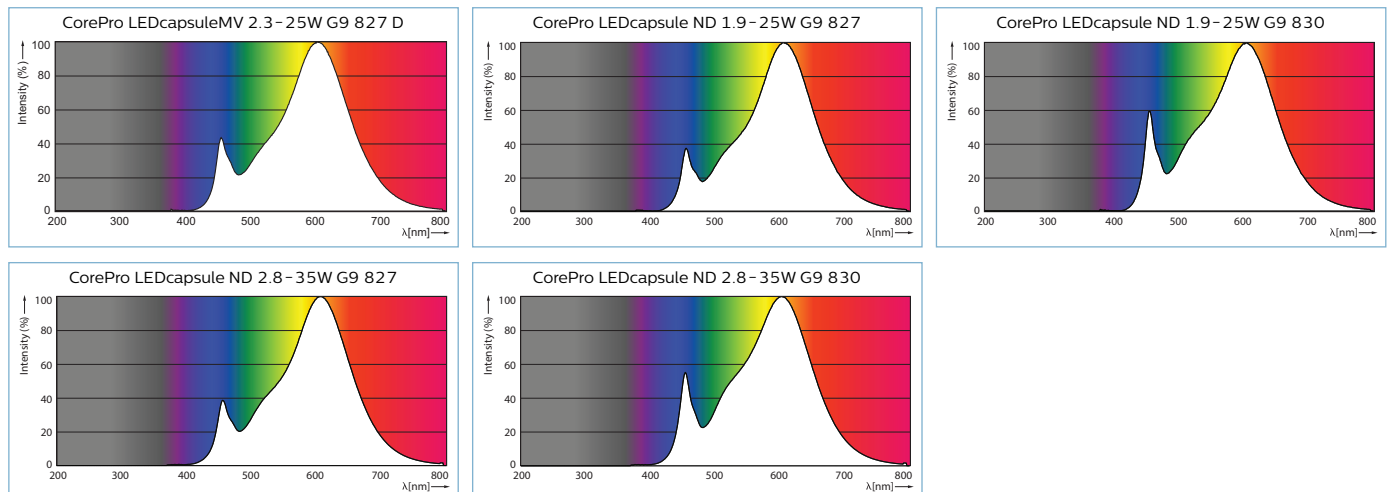
### CorePro LEDcapsuleMV 220-240V G9

Power (Rated) △ replaces (W)	Bulb Shape	Correlated Color Temperature (K)	Luminous Flux (Rated) (lm)	Luminous Efficacy (Rated) (lm/W)	Rated Lifetime (h)	Switching Cycle	Switching Cycle mm	EAN - 1
1.9 ± 25	Others	2,700	204	107.37	15,000	No	30000X	1 8718696713921
1.9 ± 25	Others	3,000	210	110.53	15,000	No	30000X	1 8718696724231
2.3 ± 25	Capsule	2,700	215	93.48	15,000	Yes	50000X	2 8718696578698
2.8 ± 35	Capsule	2,700	315	112.50	15,000	No	30000X	3 8718696726426
2.8 ± 35	Capsule	3,000	315	112.50	15,000	No	30000X	3 8718696726440

Commercial product name	Energy Class	Efficiency Class	National Lamp Fee <sup>1</sup>	Net Trade Price per Piece (€ net)	National Discount Group	EAN - 1
CorePro LEDcapsuleMV 2.3-25W G9 827 D	A++	12	fee relevant	6,30	L6	8718696578698
CorePro LEDcapsule ND 1.9-25W G9 827	A++	12	fee relevant	4,50	L6	8718696713921
CorePro LEDcapsule ND 1.9-25W G9 830	A++	12	fee relevant	4,50	L6	8718696724231
CorePro LEDcapsule ND 2.8-35W G9 827	A++	12	fee relevant	5,00	L6	8718696726426
CorePro LEDcapsule ND 2.8-35W G9 830	A++	12	fee relevant	5,00	L6	8718696726440

<sup>1</sup> Product fee relevant according local regulation

### Spectral power distribution





## CorePro LEDlinear MV


**Mains-voltage linear R7S with very high light output**

CorePro R7S is a retrofit replacement for traditional double-ended linear R7S lamps. Its 'light all around' design delivers light just like a halogen lamp. The deep dimming function enables a cozy ambience when using a dimmable fixture.

**Benefits**

- Up to 90% energy saving compared to standard halogen lamps
- Lower maintenance costs
- Highly focused beam for a clearly defined beam spread

**Features**

- Easy retrofit
- Operates at 220–240 V AC and its form-factor is designed as a direct retrofit into all double ended holders
- Lifetime of 15,000 hours (B50L70)
- UV- and IR-free light
- Free of mercury and hazardous materials – RoHS compliant

**Application**

- Living rooms, corridors, outdoor luminaires (security lighting), free floor-standing indoor luminaires, construction lighting

	C	D
mm	nom.	nom.
1	118	22.5
2	118	29.0

## CorePro LED linear R7S 220–240V R7S

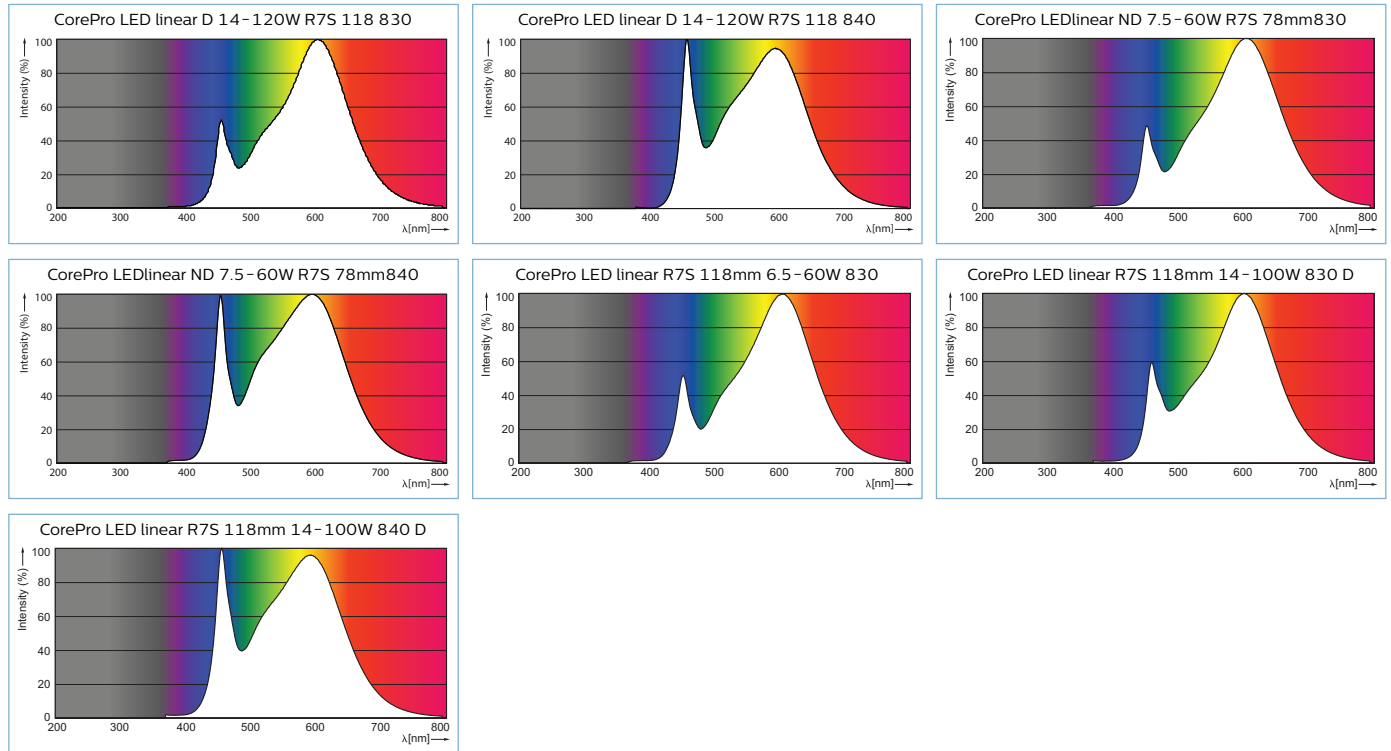
Power (Rated) △ replaces (W)	Bulb Shape	Correlated Color Temperature (K)	(°)	Luminous Flux (Rated) (lm)	Luminous Efficacy (Rated) (lm/W)	Rated Lifetime (h)		Switching Cycle	mm	EAN-1
6.5 ± 60	Linear	3,000	300	806		20,000	No	50000X	1	8718696522530
7.5 ± 60	Others	3,000		950	126.67	15,000	No	50000X	3	8718696713945
7.5 ± 60	Others	4,000		1,000	133.33	15,000	No	50000X	3	8718696713969
14 ± 100	Linear	3,000		1,600	114.29	15,000	Yes	50000X	2	8718696578797
14 ± 100	Linear	4,000		1,800	128.57	15,000	Yes	50000X	2	8718696578810
14 ± 120	Linear	3,000		2,000	142.86	15,000	Yes	50000X	2	8718696714003
14 ± 120	Linear	4,000		2,000	142.86	15,000	Yes	50000X	2	8718696714065

Commercial product name			National Lamp Fee <sup>1</sup>	Net Trade Price per Piece (€ net)	National Discount Group	EAN-1
CorePro LED linear D 14-120W R7S 118,830	A++	10	fee relevant	25,90	L6	8718696714003
CorePro LED linear D 14-120W R7S 118,840	A++	10	fee relevant	25,90	L6	8718696714065
CorePro LEDlinear ND 7.5-60W R7S 78mm830	A++	10	fee relevant	16,10	L6	8718696713945
CorePro LEDlinear ND 7.5-60W R7S 78mm840	A++	10	fee relevant	16,10	L6	8718696713969
CorePro LED linear R7S 118mm 6.5-60W 830	A++	10	fee relevant	8,50	L6	8718696522530
CorePro LED linear R7S 118mm 14-100W 830 D	A+	10	fee relevant	17,90	L6	8718696578797
CorePro LED linear R7S 118mm 14-100W 840 D	A++	10	fee relevant	17,90	L6	8718696578810

<sup>1</sup> Product fee relevant according local regulation



## Spectral power distribution



## CorePro LED PLC



### The new generation of energy-saving LED PLC tube lighting

Philips CorePro LED PLC is the ideal uplampping solution for downlights in a wide range of general lighting applications. It integrates a LED light source into a traditional fluorescent form factor to offer superb energy savings over a lifetime that's twice as long as fluorescent alternatives.

#### Benefits

- Reduced operational cost thanks to lower energy consumption than conventional PLC lamps, as well as lower maintenance cost thanks to 2 - 3 times longer lifetime than conventional lamps
- Simple lamp-for-lamp replacement, re-using the existing fixture without major modifications, using a similar PLC form-factor
- Fastest and easiest way to upgrade existing luminaires to LED technology

#### Features

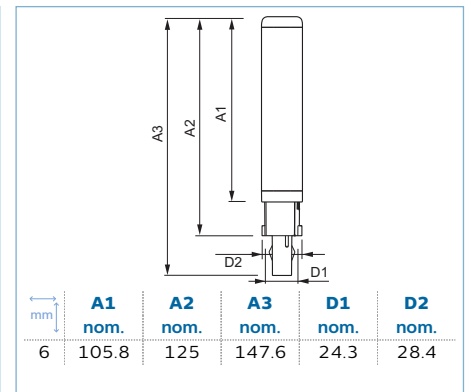
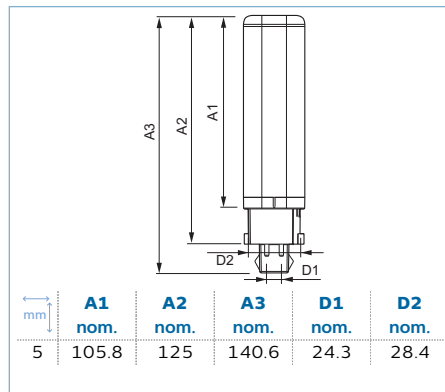
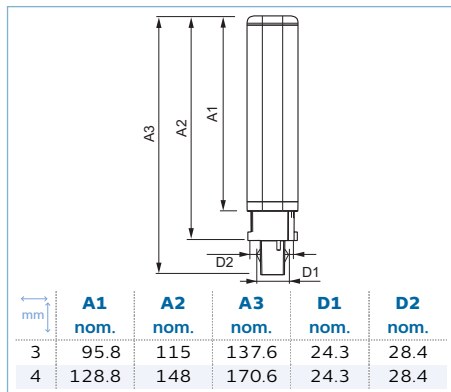
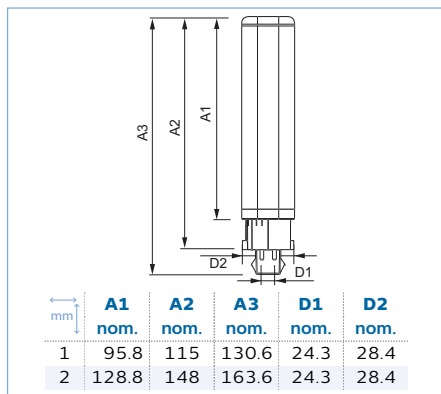
- Shatter-proof plastic
- High quality of light, no flickering or stroboscoping effect
- Instant 100% light
- Rotating end-caps
- Choice of 3,000 K and 4,000 K

#### Application

- CorePro LED PLC lamps are the ideal upgrade for downlights in a wide range of applications. These include reception areas, meeting rooms, corridor and hallways in offices, retail stores, hospitality venues and home applications.

#### Warnings and Safety

- NOTES: The overall energy efficiency and light distribution of any installation that uses these lamps are determined by the design of the installation.



## CorePro LED PLC

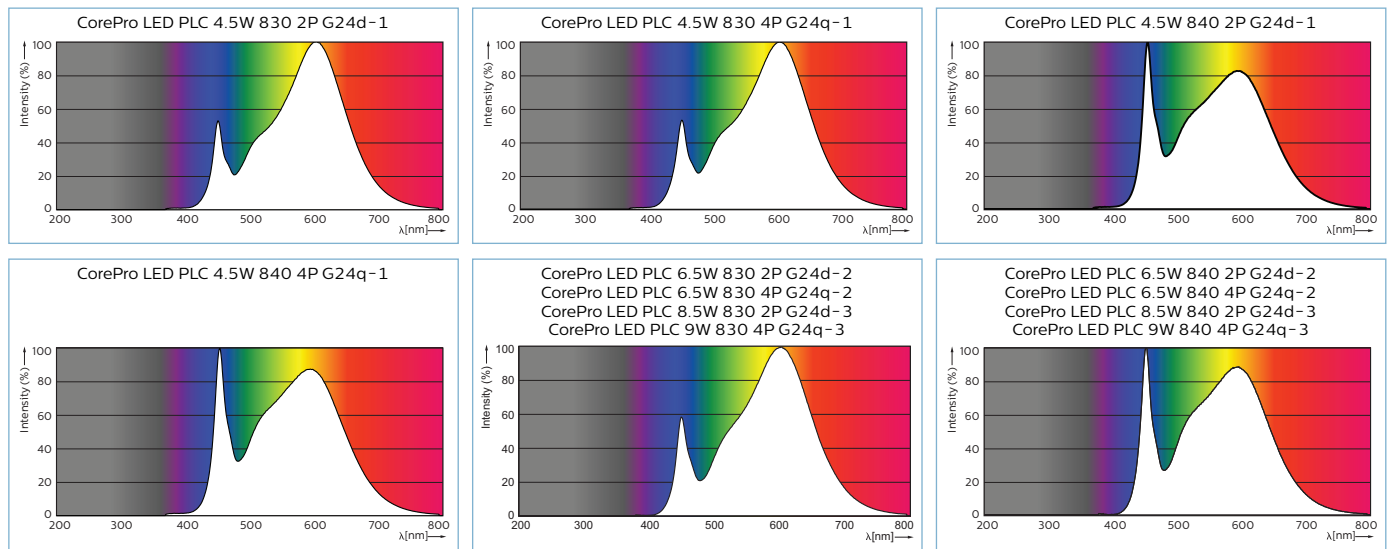
Lamp power (W)	Voltage (V)		Correlated Color Temperature (K)	Luminous Flux (Rated) (lm)	Rated Lifetime (h)		Switching Cycle	mm	EAN-1
4.5	20-50	G24Q-1	3,000	475	30,000	No	50000X	1	8718696706633
4.5	20-50	G24Q-1	4,000	500	30,000	No	50000X	1	8718696706657
4.5	220-240	G24D-1	3,000	475	30,000	No	50000X	3	8718696706596
4.5	220-240	G24D-1	4,000	500	30,000	No	50000X	3	8718696706619
6.5	20-50	G24Q-2	3,000	650	30,000	No	50000X	5	8718696541197
6.5	20-50	G24Q-2	4,000	700	30,000	No	50000X	5	8718696541210
6.5	220-240	G24D-2	3,000	650	30,000	No	50000X	6	8718696541272
6.5	220-240	G24D-2	4,000	700	30,000	No	50000X	6	8718696541296
8.5	220-240	G24D-3	3,000	950	30,000	No	50000X	4	8718696541234
8.5	220-240	G24D-3	4,000	1,000	30,000	No	50000X	4	8718696541258
9.0	20-50	G24Q-3	3,000	950	30,000	No	50000X	2	8718696541159
9.0	20-50	G24Q-3	4,000	1,000	30,000	No	50000X	2	8718696541173



Commercial product name			National Lamp Fee <sup>1</sup>	Net Trade Price per Piece (€ net)	National Discount Group	EAN - 1
CorePro LED PLC 4.5W 830 2P G24d-1	A++	10	fee relevant	7,20	L6	8718696706596
CorePro LED PLC 4.5W 830 4P G24q-1	A+	10	fee relevant	8,10	L6	8718696706633
CorePro LED PLC 4.5W 840 2P G24d-1	A++	10	fee relevant	7,20	L6	8718696706619
CorePro LED PLC 4.5W 840 4P G24q-1	A+	10	fee relevant	8,10	L6	8718696706657
CorePro LED PLC 6.5W 830 2P G24d-2	A+	10	fee relevant	8,10	L6	8718696541272
CorePro LED PLC 6.5W 830 4P G24q-2	A+	10	fee relevant	9,00	L6	8718696541197
CorePro LED PLC 6.5W 840 2P G24d-2	A+	10	fee relevant	8,10	L6	8718696541296
CorePro LED PLC 6.5W 840 4P G24q-2	A+	10	fee relevant	9,00	L6	8718696541210
CorePro LED PLC 8.5W 830 2P G24d-3	A+	10	fee relevant	9,90	L6	8718696541234
CorePro LED PLC 8.5W 840 2P G24d-3	A+	10	fee relevant	9,90	L6	8718696541258
CorePro LED PLC 9W 830 4P G24q-3	A+	10	fee relevant	10,80	L6	8718696541159
CorePro LED PLC 9W 840 4P G24q-3	A+	10	fee relevant	10,80	L6	8718696541173

<sup>1</sup> Product fee relevant according local regulation

### Spectral power distribution



## CorePro LED PLL



### The new generation of energy-saving LED PLL tube lighting

Philips CorePro LED PLL is the ideal uplamping solution for downlights & luminaires in a wide range of general lighting applications. It integrates a LED light source into a traditional fluorescent form factor to offer superb energy savings over a lifetime that's twice as long as fluorescent alternatives.

#### Benefits

- Reduced operational cost thanks to a lower energy consumption than conventional PLL lamps, as well as lower maintenance cost thanks to a 2-3 times longer lifetime than conventional lamps

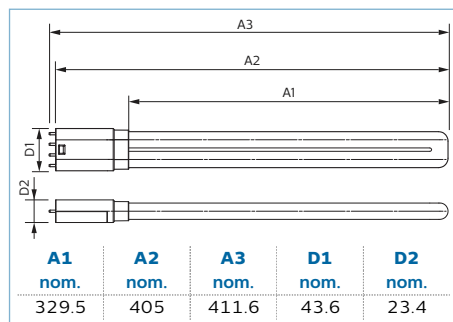
- Simple lamp-for-lamp replacement, re-using the existing fixture without major modifications, using a similar PLL form-factor
- Fastest and easiest way to upgrade existing luminaires to LED technology

#### Features

- High quality of light, no flickering nor stroboscoping effect
- Instant 100% light
- Choice of 3,000 K, 4,000 K & 6,500 K

#### Application

- Hospitality
- Retail
- Office (stairways, corridors)
- Industrial areas



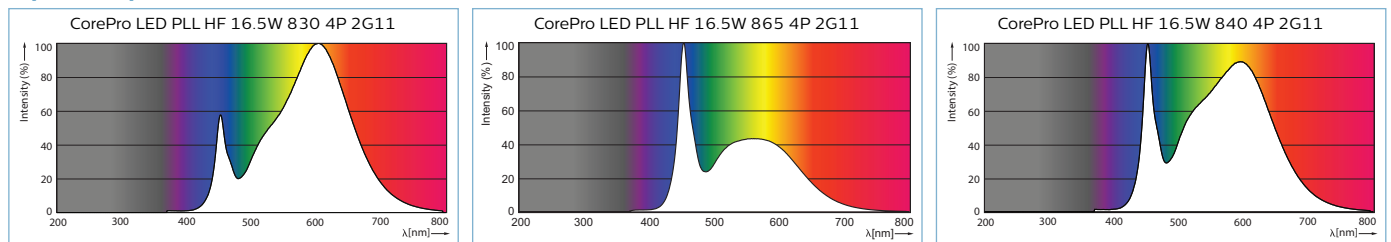
### CorePro LED PLL 53-77V 2G11

Lamp power (W)	Correlated Color Temperature (K)	Luminous Flux (Rated) (lm)	Rated Lifetime (h)	Switching Cycle	EAN-1
16.5	3,000	2,000	30,000	No	8718696739662
16.5	4,000	2,100	30,000	No	8718696739747
16.5	6,500	2,100	30,000	No	8718696739761

Commercial product name	National Lamp Fee <sup>1</sup>	Net Trade Price per Piece (€ net)	National Discount Group	EAN-1
CorePro LED PLL HF 16.5W 830 4P 2G11	A+ 10	fee relevant 21,50	L6	8718696739662
CorePro LED PLL HF 16.5W 865 4P 2G11	A+ 10	fee relevant 21,50	L6	8718696739761
CorePro LED PLL HF 16.5W 840 4P 2G11	A+ 10	fee relevant 21,50	L6	8718696739747

<sup>1</sup> Product fee relevant according local regulation

### Spectral power distribution





## TrueForce LED Public (Urban/Road – HPL/SON)



### The best LED solution for High Intensity Discharge (HID) lamp replacement

Philips TrueForce LED lamps provide an easy LED solution with a fast payback to replace High-Intensity Discharge (HID) lamps. These lamps bring the energy efficiency and long lifetime benefits of LED to HID replacement, with a low initial investment delivering instant savings. With the right lamp size and light distribution, customers can easily retrofit TrueForce LED lamps into their existing system, thereby enhancing the light quality without having to change the fixtures or sacrifice the light effect.

#### Benefits

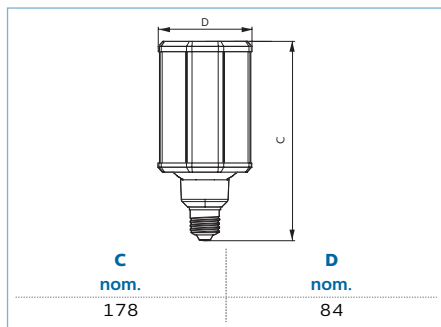
- Cost savings ensure a quick payback
- Low initial investment
- Enhanced light quality and easy adoption

#### Features

- High energy efficiency
- Long lifetime 50,000hrs
- Right lamp size and lighting distribution for direct retrofit
- Light in weight
- Up to 6KV surge protection

#### Application

- Public urban – parks, squares
- Public road – streets, paths
- Public area – parking, transportation hubs



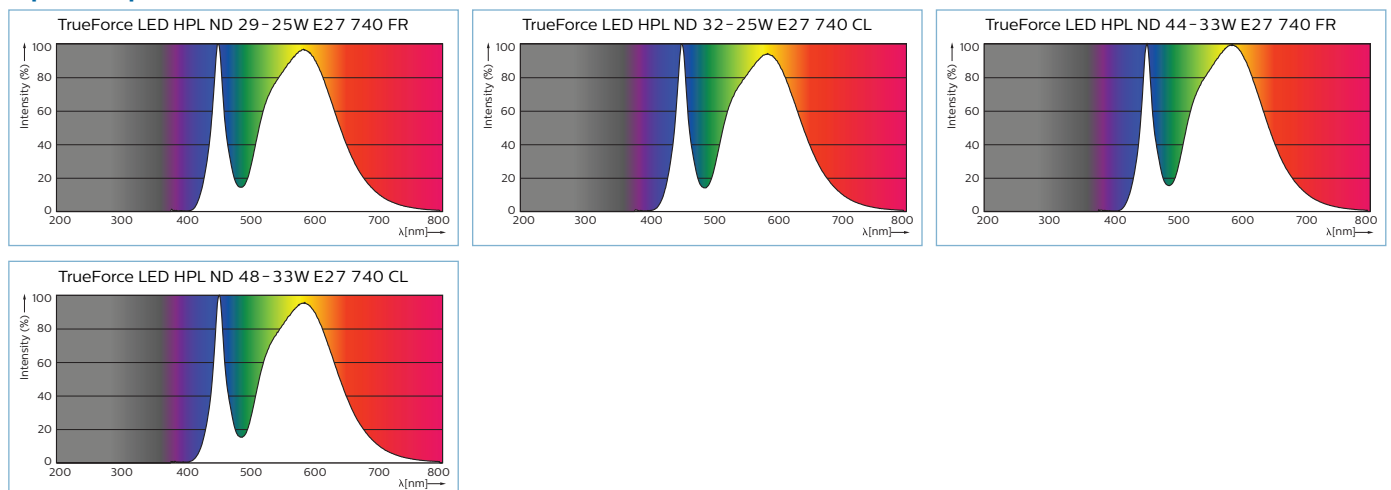
### E27

Type	Power (Rated) <sup>△</sup> replaces (W)	Correlated Color Temperature (K)	Colour Rendering Index	Luminous Flux (Rated) (lm)	Luminous Efficacy (Rated) (lm/W)	Rated Lifetime (h)	Switching Cycle	EAN-1
TrueForce LED HPL ND 29-25W E27 740 FR	25 ± 80	4,000	70	2,900	116.00	50,000	No 50000X	8718696687024
TrueForce LED HPL ND 32-25W E27 740 CL	25 ± 80	4,000	70	3,200	128.00	50,000	No 50000X	8718696687000
TrueForce LED HPL ND 44-33W E27 740 FR	33 ± 125	4,000	70	4,400	133.33	50,000	No 50000X	8718696686980
TrueForce LED HPL ND 48-33W E27 740 CL	33 ± 125	4,000	70	4,800	145.45	50,000	No 50000X	8718696686966

Commercial product name	Energy Label	Lightbulb Icon	National Lamp Fee <sup>1</sup>	Net Trade Price per Piece (€ net)	National Discount Group	EAN-1
TrueForce LED HPL ND 29-25W E27 740 FR	A+	6	fee relevant	54,70	L1	8718696687024
TrueForce LED HPL ND 32-25W E27 740 CL	A++	6	fee relevant	54,70	L1	8718696687000
TrueForce LED HPL ND 44-33W E27 740 FR	A++	6	fee relevant	60,20	L1	8718696686980
TrueForce LED HPL ND 48-33W E27 740 CL	A++	6	fee relevant	60,20	L1	8718696686966

<sup>1</sup> Product fee relevant according local regulation

### Spectral power distribution



## TrueForce LED Industrial and Retail (Highbay – HPI/SON/HPL)



### Ideal for HPI/SON/HPL LED replacement in Highbay application

Philips TrueForce LED Industrial and Retail lamps give you a quick and easy payback solution to replace HID lamps in Highbay application. The solution gives you the LED benefits of energy-efficiency and long-lifetime, plus they come for a low initial investment. With unique lamp design and compatibility, you can directly retrofit HID lamps with TrueForce LED lamps without changing the fixtures or gear. Multiple beam angle options and high colour rendering index enhance the lighting distribution while creating a comfortable, safe and high productivity environment.

#### Features

- Direct lamp replacement solution without changing the fixture or gear
- High energy efficiency with directional light
- Long lifetime 50,000hrs for operation efficiency
- Crispy white light 4,000 K, CRI80 for better visual colour
- Product weight < 1,3kg

#### Application

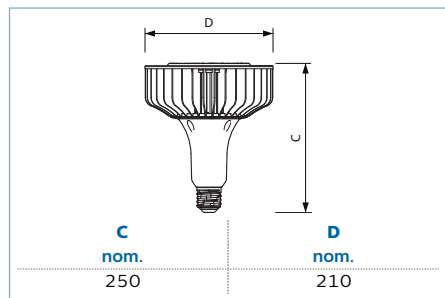
- Industrial – factories, warehouses, distribution centres
- Retail – hyper markets, shopping malls
- Others – transportation hubs, convention centres, sport/city halls

#### Warnings and Safety

- EM version requires an EM ballast to operate. Please refer to the installation guide or consult a Philips Lighting representative.

#### Benefits

- Instant upgrade and easy to install – less time consuming and safer working at height
- Great payback (<2 years) and extended energy savings of 65% vs. existing conventional systems
- Low initial investment



### E40

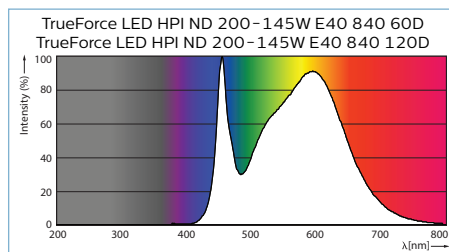
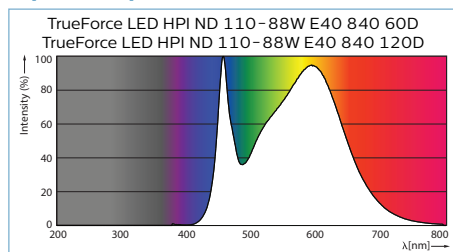
Type	Power (Rated) $\hat{=}$ replaces	Correlated Color Temperature	Colour Rendering Index	Luminous Flux (Rated)	Luminous Efficacy (Rated)	Rated Lifetime	Switching Cycle	EAN-1
	(W)	(K)		(lm)	(lm/W)	(h)		
TrueForce LED HPI ND 110-88W E40 840 60D	88 $\hat{=}$ 250	4,000	80	11,000	125	50,000	No 50000X	8718696713785
TrueForce LED HPI ND 110-88W E40 840 120D	88 $\hat{=}$ 250	4,000	80	11,000	125	50,000	No 50000X	8718696713822
TrueForce LED HPI ND 200-145W 840 120D	145 $\hat{=}$ 400	4,000	80	20,000	137	50,000	No 50000X	8718696713884
TrueForce LED HPI ND 200-145W E40 840 60D	145 $\hat{=}$ 400	4,000	80	20,000	137	50,000	No 50000X	8718696713860

Commercial product name	Energy Efficiency Class	Mercury Content	National Lamp Fee <sup>1</sup>	Net Trade Price per Piece	National Discount Group	EAN-1
				(€ net)		
TrueForce LED HPI ND 110-88W E40 840 60D	A+	2	fee relevant	109,40	L1	8718696713785
TrueForce LED HPI ND 110-88W E40 840 120D	A+	2	fee relevant	109,40	L1	8718696713822
<b>N</b> TrueForce LED HPI ND 200-145W E40 840 60D	A+	2	fee relevant	154,70	L1	8718696713860
<b>N</b> TrueForce LED HPI ND 200-145W E40 840 120D	A+	2	fee relevant	154,70	L1	8718696713884

<sup>1</sup> Product fee relevant according local regulation

**N** = New

### Spectral power distribution



## MASTER LEDtube Universal T8



### Universal T8 LEDtube lighting now easier and simpler than ever

The new Philips MASTER LEDtube Universal T8 brings ease and simplicity to your lighting project. That's because you do not need to match the driver technology anymore: a unique design enables the Philips MASTER LEDtube Universal T8 to directly fit in luminaires operating on either electromagnetic ballasts or HF electronic ballasts or mains power connection. It is so simple to operate and you no longer need to stock two types of tubes! Perfectly safe, reliable & easy to install Philips MASTER LEDtube Universal T8 is the ideal alternative to standard fluorescent tubes to maximize value over lifetime with high energy saving and lower maintenance costs.

- Lower maintenance cost thanks to longer lifetime than conventional lamps
- Fastest and easiest way to upgrade existing luminaires to LED technology through a completely safe product and installation process

#### Features

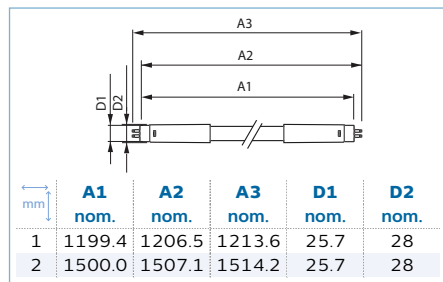
- Replacement of existing T8 lamps on both EM/HF ballast and mains power connection installation
- Energy savings compared with fluorescent tubes
- Long lifetime
- InstantFit technology for largest ballast compatibility
- No mercury

#### Application

- Office, shop, education, retail
- Industrial facilities and warehouses

#### Benefits

- Reduced operational cost thanks to lower energy consumption



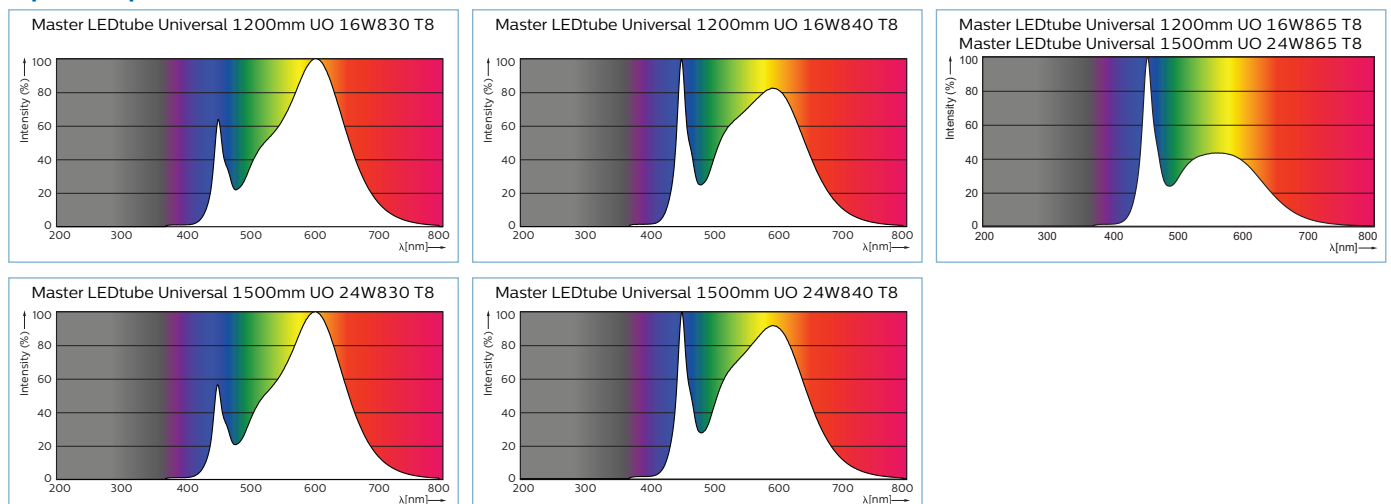
## G13

Type	Correlated Color Temperature (K)	Colour Rendering Index	Luminous Flux (Rated) (lm)	Rated Lifetime (h)	Switching Cycle	mm	EAN - 1
Master LEDtube Universal 1200mm UO 16W830 T8	3,000	83	2,300	50,000	No	50000X	1 8718696728536
Master LEDtube Universal 1200mm UO 16W840 T8	4,000	83	2,500	50,000	No	50000X	1 8718696705377
Master LEDtube Universal 1200mm UO 16W865 T8	6,500	83	2,500	50,000	No	50000X	1 8718696705391
Master LEDtube Universal 1500mm UO 24W830 T8	3,000	83	3,400	50,000	No	50000X	2 8718696728512
Master LEDtube Universal 1500mm UO 24W840 T8	4,000	83	3,700	50,000	No	50000X	2 8718696705339
Master LEDtube Universal 1500mm UO 24W865 T8	6,500	83	3,700	50,000	No	50000X	2 8718696705353

Commercial product name		National Lamp Fee <sup>1</sup>	Net Trade Price per Piece (€ net)	National Discount Group	EAN - 1
Master LEDtube Universal 1200mm UO 16W830 T8	A++	10	fee relevant 28,20	L1	8718696728536
Master LEDtube Universal 1200mm UO 16W840 T8	A++	10	fee relevant 28,20	L1	8718696705377
Master LEDtube Universal 1200mm UO 16W865 T8	A++	10	fee relevant 28,20	L1	8718696705391
Master LEDtube Universal 1500mm UO 24W830 T8	A++	10	fee relevant 31,30	L1	8718696728512
Master LEDtube Universal 1500mm UO 24W840 T8	A++	10	fee relevant 31,30	L1	8718696705339
Master LEDtube Universal 1500mm UO 24W865 T8	A++	10	fee relevant 31,30	L1	8718696705353

<sup>1</sup> Product fee relevant according local regulation

### Spectral power distribution



## MASTER LEDtube InstantFit HF T5



### The new generation of energy-saving T5 tube lighting

Philips MASTER LEDtube InstantFit T5 integrates a LED light source into a traditional fluorescent form factor. Its unique design creates a perfectly uniform visual appearance which cannot be distinguished from traditional fluorescent. The Philips MASTER LEDtube InstantFit T5 is the ideal solution for customers who have higher light output requirements and want to maximize value over lifetime. Full energy savings & longer lifetime result in attractive payback times and TCO benefits.

#### Benefits

- Reduced operational cost thanks to lower energy consumption
- Lower maintenance cost thanks to 2-3 times longer lifetime than normal fluorescent tubes
- Fastest and easiest way to upgrade existing luminaire to LED technology, with a 100%-safe installation process

#### Features

- Retrofit replacement of existing T5 lamps on HF ballast installations
- HF compatibility: no wires to replace, no hassle changing drivers; our InstantFit solution works with High Frequency electronic ballasts, making it easy and safe for all installation methods
- Electronic Pin safety: with Philips products you can safely touch the other end-cap when installing the tube. The integrated driver is also safely isolated from touchable parts. Philips LED tubes adhere to all UL and IEC pin safety requirements

#### Application

- The ideal solution for demanding applications with a need for extra energy savings: office, school, retail

	A1 nom.	A2 nom.	A3 nom.	D1 nom.	D2 nom.
1	549.0	556.1	563.2	15.5	18.8
2	1149.0	1156.1	1163.2	15.5	18.8
3	1449.0	1456.1	1463.2	15.5	18.8
4	1447.8	1454.9	1462.0	15.2	21.0
5	1147.8	1154.9	1162.0	15.2	21.0



## G5

Type	Correlated Color Temperature (K)	Colour Rendering Index	Luminous Flux (Rated) (lm)	Rated Lifetime (h)	Switching Cycle	mm	EAN-1
MAS LEDtube HF 600mm HE 8W 830 T5	3,000	83	1,000	50,000	No	50000X	1 8718696743232
MAS LEDtube HF 600mm HE 8W 840 T5	4,000	83	1,050	50,000	No	50000X	1 8718696743256
MAS LEDtube HF 600mm HE 8W 865 T5	6,500	83	1,050	50,000	No	50000X	1 8718696743270
MAS LEDtube HF 1200mm HE 16.5W 830 T5	3,000	83	2,300	50,000	No	50000X	2 8718696743294
MAS LEDtube HF 1200mm HE 16.5W 840 T5	4,000	83	2,500	50,000	No	50000X	2 8718696743317
MAS LEDtube HF 1200mm HE 16.5W 865 T5	6,500	83	2,500	50,000	No	50000X	2 8718696743331
MAS LEDtube HF 1500mm HE 20W 830 T5	3,000	83	2,800	50,000	No	50000X	3 8718696743355
MAS LEDtube HF 1500mm HE 20W 840 T5	4,000	83	3,000	50,000	No	50000X	3 8718696743379
MAS LEDtube HF 1500mm HE 20W 865 T5	6,500	83	3,000	50,000	No	50000X	3 8718696743393
MAS LEDtube HF 1500mm HO 26W 830 T5	3,000	83	3,700	50,000	No	50000X	4 8718696685525
MAS LEDtube HF 1200mm HO 26W 830 T5	3,000	83	3,700	50,000	No	50000X	5 8718696705278
MAS LEDtube HF 1500mm HO 26W 840 T5	4,000	83	3,900	50,000	No	50000X	4 8718696685549
MAS LEDtube HF 1200mm HO 26W 840 T5	4,000	83	3,900	50,000	No	50000X	5 8718696705292
MAS LEDtube HF 1500mm HO 26W 865 T5	6,500	83	3,900	50,000	No	50000X	4 8718696685563
MAS LEDtube HF 1200mm HO 26W 865 T5	6,500	83	3,900	50,000	No	50000X	5 8718696705315
MAS LEDtube HF 1500mm UO 36W 830 T5	3,000	83	5,200	50,000	No	50000X	4 8718696705995
MAS LEDtube HF 1500mm UO 36W 840 T5	4,000	83	5,600	50,000	No	50000X	4 8718696706039
MAS LEDtube HF 1500mm UO 36W 865 T5	6,500	83	5,600	50,000	No	50000X	4 8718696706053

Commercial product name	Energy Class	Light Blue	National Lamp Fee <sup>1</sup>	Net Trade Price per Piece (€ net)	National Discount Group	EAN-1
MAS LEDtube HF 600mm HE 8W 830 T5	A+	10	fee relevant	16,50	L1	8718696743232
MAS LEDtube HF 600mm HE 8W 840 T5	A+	10	fee relevant	16,50	L1	8718696743256
MAS LEDtube HF 600mm HE 8W 865 T5	A+	10	fee relevant	16,50	L1	8718696743270
MAS LEDtube HF 1200mm HE 16.5W 830 T5	A+	10	fee relevant	25,00	L1	8718696743294
MAS LEDtube HF 1200mm HE 16.5W 840 T5	A++	10	fee relevant	25,00	L1	8718696743317
MAS LEDtube HF 1200mm HE 16.5W 865 T5	A++	10	fee relevant	25,00	L1	8718696743331
MAS LEDtube HF 1200mm HO 26W 830 T5	A+	10	fee relevant	31,30	L1	8718696705278
MAS LEDtube HF 1200mm HO 26W 840 T5	A++	10	fee relevant	31,30	L1	8718696705292
MAS LEDtube HF 1200mm HO 26W 865 T5	A++	10	fee relevant	31,30	L1	8718696705315

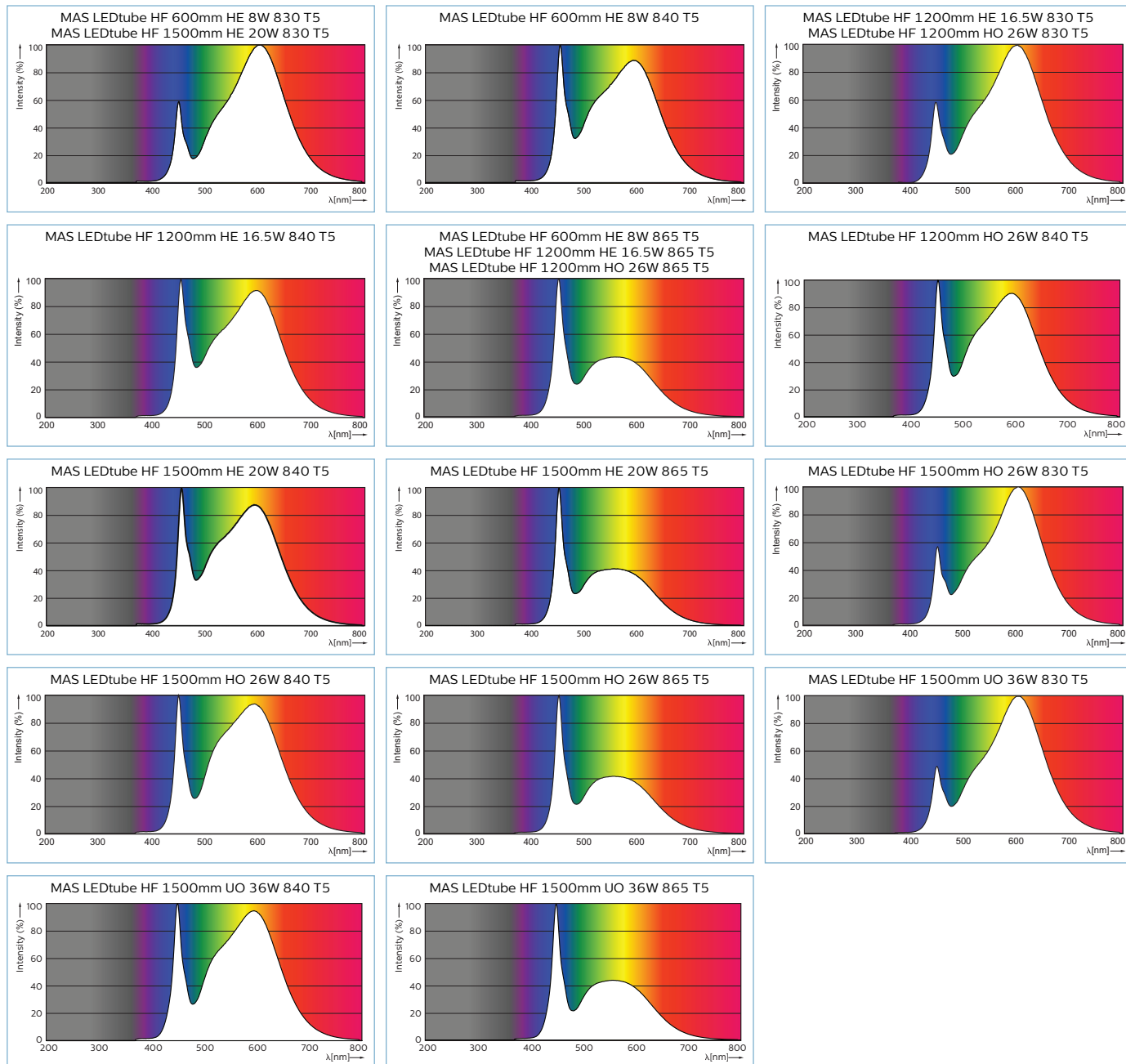
More data see next page



Commercial product name			National Lamp Fee <sup>1</sup>	Net Trade Price per Piece (€ net)	National Discount Group	EAN - 1
MAS LEDtube HF 1500mm HE 20W 830 T5	A+	10	fee relevant	25,00	L1	8718696743355
MAS LEDtube HF 1500mm HE 20W 840 T5	A++	10	fee relevant	25,00	L1	8718696743379
MAS LEDtube HF 1500mm HE 20W 865 T5	A++	10	fee relevant	25,00	L1	8718696743393
MAS LEDtube HF 1500mm HO 26W 830 T5	A+	10	fee relevant	31,30	L1	8718696685525
MAS LEDtube HF 1500mm HO 26W 840 T5	A++	10	fee relevant	31,30	L1	8718696685549
MAS LEDtube HF 1500mm HO 26W 865 T5	A++	10	fee relevant	31,30	L1	8718696685563
MAS LEDtube HF 1500mm UO 36W 830 T5	A++	10	fee relevant	42,20	L1	8718696705995
MAS LEDtube HF 1500mm UO 36W 840 T5	A++	10	fee relevant	42,20	L1	8718696706039
MAS LEDtube HF 1500mm UO 36W 865 T5	A++	10	fee relevant	42,20	L1	8718696706053

<sup>1</sup> Product fee relevant according local regulation

### Spectral power distribution





## MASTER LEDtube InstantFit HF T8



### The new generation of energy saving T8 tube lighting

Philips MASTER LEDtube InstantFit T8 integrates a LED light source into a traditional fluorescent form factor. Its unique design creates a perfectly uniform visual appearance which cannot be distinguished from traditional fluorescent. Philips MASTER LEDtube Instant-Fit T8 is the ideal solution for customers who have higher light requirements and want to maximize value over lifetime.

Full energy savings & longer lifetime result in attractive payback times and TCO benefits.

#### Benefits

- Reduced operational cost thanks to lower energy consumption
- Lower maintenance cost thanks to 2-3 times longer lifetime than normal fluorescent tubes
- Fastest and easiest way to upgrade existing luminaire to LED technology, with a 100%-safe installation process

#### Features

- HF compatibility: no wires to replace, no hassle changing drivers; our InstantFit solution works with High Frequency electronic ballasts, making it easy and safe for all installation methods

- Electronic Pin safety: with Philips products you can safely touch the other end-cap when installing the tube. The integrated driver is also safely isolated from touchable parts. Philips LED tubes adhere to all UL and IEC pin safety requirements
- Rotating end-caps: in many applications the pin fitting needs to be rotating. This can be a problem as LED tubes only provide directional light. Our T8 MASTER LEDtubes have rotating end-caps to allow you to rotate the tube by up to 90 degrees

#### Application

- The ideal solution for very demanding applications with the highest lumen output requirements while saving on energy bills: office, school, retail & industry, healthcare applications

#### Warnings and Safety

- NOTES: The overall energy efficiency and light distribution of any installation that uses these lamps are determined by the design of the installation.

	A1 nom.	A2 nom.	A3 nom.	D1 nom.	D2 nom.
1	588.6	595.7	602.8	25.6	27.8
2	1198.1	1205.2	1212.3	25.6	28.0
3	1198.0	1205.0	1212.0	25.7	28.0
4	1498.7	1505.8	1512.9	25.6	28.0



## G13

Type	Correlated Color Temperature (K)	Colour Rendering Index	Beam Angle (°)	Luminous Flux (Rated) (lm)	Rated Lifetime (h)	Switching Cycle	mm	EAN-1	
MASTER LEDtube HF 600mm 10.5W840 T8	4,000	83	160	1,050	50,000	No	50000X	1	8718696559673
MASTER LEDtube HF 600mm 10.5W865 T8	6,500	83	160	1,050	50,000	No	50000X	1	8718696559697
MASTER LEDtube HF 1200mm HO 14W830 T8	3,000	83	160	2,000	50,000	Yes	50000X	2	8718696687529
MASTER LEDtube HF 1200mm HO 14W840 T8	4,000	83	160	2,100	50,000	Yes	50000X	2	8718696687482
MASTER LEDtube HF 1200mm HO 14W865 T8	6,500	83	160	2,100	50,000	Yes	50000X	2	8718696687505
MASTER LEDtube HF 1200mm UO 16W830 T8	3,000	83	160	2,350	50,000	Yes	50000X	2	8718696688007
MASTER LEDtube HF 1200mm UO 16W840 T8	4,000	83	160	2,500	50,000	Yes	50000X	2	8718696687963
MASTER LEDtube HF 1200mm UO 16W865 T8	6,500	83	160	2,500	50,000	Yes	50000X	2	8718696687987
MASTER LEDtube HF 1200mm 16.5W833 T8 FOOD	3,300	83	160	960	50,000	No	50000X	3	8718696566169
MASTER LEDtube HF 1500mm HO 20W830 T8	3,000	83	160	2,900	50,000	Yes	50000X	4	8718696687581
MASTER LEDtube HF 1500mm HO 20W840 T8	4,000	83	160	3,100	50,000	Yes	50000X	4	8718696687543
MASTER LEDtube HF 1500mm HO 20W865 T8	6,500	83	160	3,100	50,000	Yes	50000X	4	8718696687567
MASTER LEDtube HF 1500mm UO 24W830 T8	3,000	83	160	3,500	50,000	Yes	50000X	4	8718696688069
MASTER LEDtube HF 1500mm UO 24W840 T8	4,000	83	160	3,700	50,000	Yes	50000X	4	8718696688021
MASTER LEDtube HF 1500mm UO 24W865 T8	6,500	83	160	3,700	50,000	Yes	50000X	4	8718696688045

Commercial product name			National Lamp Fee <sup>1</sup>	Net Trade Price per Piece (€ net)	National Discount Group	EAN-1
MASTER LEDtube HF 600mm 10.5W840 T8	A+	10	fee relevant	15,70	L1	8718696559673
MASTER LEDtube HF 600mm 10.5W865 T8	A+	10	fee relevant	15,70	L1	8718696559697
MASTER LEDtube HF 1200mm 16.5W833 T8 FOOD	B	10	fee relevant	38,30	L1	8718696566169
MASTER LEDtube HF 1200mm HO 14W830 T8	A+	10	fee relevant	17,20	L1	8718696687529
MASTER LEDtube HF 1200mm HO 14W840 T8	A++	10	fee relevant	17,20	L1	8718696687482
MASTER LEDtube HF 1200mm HO 14W865 T8	A++	10	fee relevant	17,20	L1	8718696687505
MASTER LEDtube HF 1200mm UO 16W830 T8	A+	10	fee relevant	20,40	L1	8718696688007
MASTER LEDtube HF 1200mm UO 16W840 T8	A++	10	fee relevant	20,40	L1	8718696687963
MASTER LEDtube HF 1200mm UO 16W865 T8	A++	10	fee relevant	20,40	L1	8718696687987

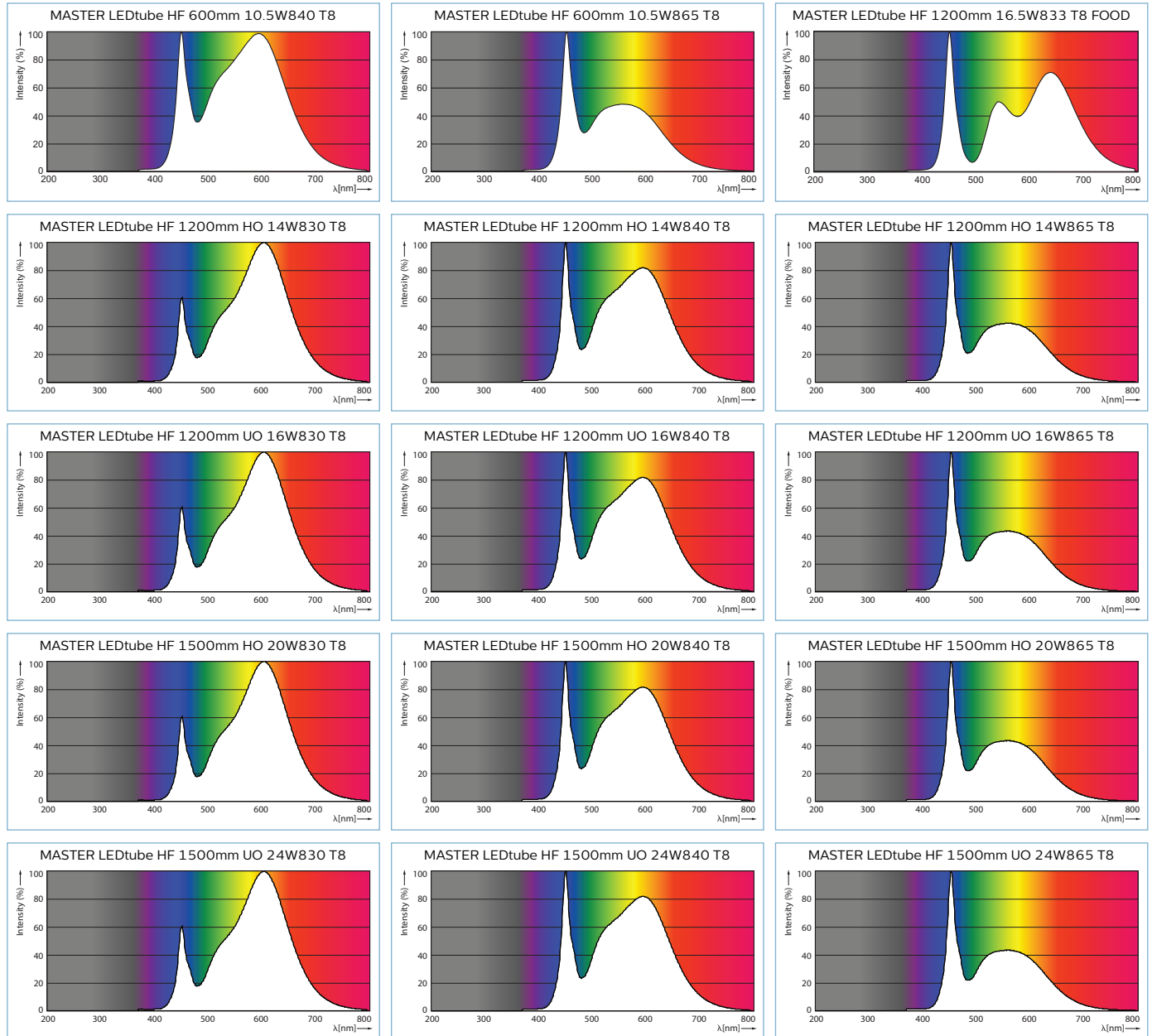
More data see next page



Commercial product name			National Lamp Fee <sup>1</sup>	Net Trade Price per Piece (€ net)	National Discount Group	EAN - 1
MASTER LEDtube HF 1500mm HO 20W830 T8	A+	10	fee relevant	20,40	L1	8718696687581
MASTER LEDtube HF 1500mm HO 20W840 T8	A++	10	fee relevant	20,40	L1	8718696687543
MASTER LEDtube HF 1500mm HO 20W865 T8	A++	10	fee relevant	20,40	L1	8718696687567
MASTER LEDtube HF 1500mm UO 24W830 T8	A++	10	fee relevant	23,50	L1	8718696688069
MASTER LEDtube HF 1500mm UO 24W840 T8	A++	10	fee relevant	23,50	L1	8718696688021
MASTER LEDtube HF 1500mm UO 24W865 T8	A++	10	fee relevant	23,50	L1	8718696688045

<sup>1</sup> Product fee relevant according local regulation

### Spectral power distribution



# Instantly efficient, instantly sustainable

LED is rapidly replacing fluorescent tubes as a more sustainable light source – but none faster than Philips MASTER LEDtube Value InstantFit. Designed by the market-leading experts in LED, MASTER LEDtube Value InstantFit integrates a LED light source into a traditional tube form that's quick, easy and safe to install.

No wires to replace, no hassle changing drivers; InstantFit is a plug and play solution that works with High Frequency electronic ballast and slots into existing fittings. With a wide range of tubes, you can now promise customers long lasting energy savings of up to 50% – in an instant.

[www.philips.com/instantfit](http://www.philips.com/instantfit)



## MASTER LEDtube EM/Mains T8



### The new generation of energy saving tube lighting

The Philips MASTER LEDtube integrates a LED light source into a traditional fluorescent form factor. Its unique design creates a perfectly uniform visual appearance which cannot be distinguished from traditional fluorescent. For those that are looking for value for money within limited budget and re-lamping efforts for better light effect and lifetime.

#### Benefits

- Reduced operational cost thanks to lower energy consumption
- Lower maintenance cost thanks to 2-3 times longer lifetime than normal fluorescent tubes
- Fastest and easiest way to upgrade existing luminaire to LED technology; 100%- safe installation process

#### Features

- Only 50% energy consumption compared to fluorescent tubes
- Extra-long life of 50,000 hours
- Retrofit to existing T8 lamps on EM ballast installations
- Full safety features and EM Protector safety device
- No mercury

#### Application

- Parking lots / covered car parks
- Warehouses / coldrooms / signage
- Transport and distribution areas
- Food & Museums

#### Warnings and Safety

- NOTES: The overall energy efficiency and light distribution of any installation that uses these lamps are determined by the design of the installation.





mm	A1 nom.	A2 nom.	A3 nom.	D1 nom.	D2 nom.
1	588.5	595.5	602.5	25.78	28
2	893.3	900.4	907.5	25.70	28
3	893.3	900.4	907.5	25.78	28
4	1198.2	1205.3	1212.4	25.70	28
5	1198.2	1205.3	1212.4	25.78	28
6	1198.2	1205.3	1212.4	25.80	28
7	1500.0	1507.1	1514.2	25.70	28
8	1500.0	1507.1	1514.2	25.78	28
9	1498.8	1505.9	1513.0	25.80	28
10	1498.7	1505.8	1512.9	25.78	28

mm	C1 nom.	D1 nom.	D2 nom.
11	34.5	3	21.5

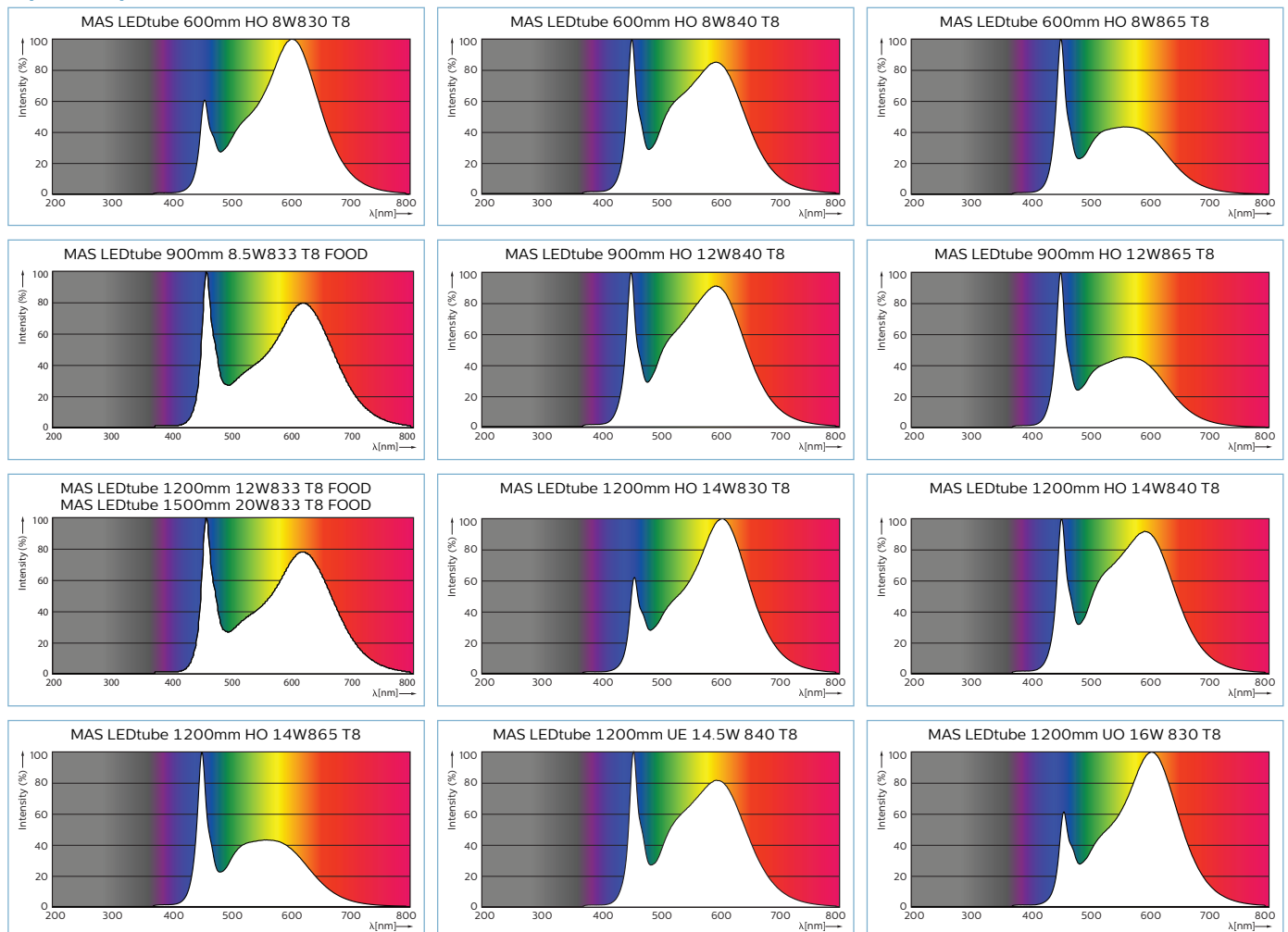
Type	Correlated Color Temperature (K)	Colour Rendering Index	Luminous Flux (Rated) (lm)	Rated Lifetime (h)	Switching Cycle	mm	EAN - 1
MAS LEDtube 600mm HO 8W830 T8	G13 3,000	83	1,000	50,000	No 200000X	1	8718696697474
MAS LEDtube 600mm HO 8W840 T8	G13 4,000	83	1,050	50,000	No 200000X	1	8718696697498
MAS LEDtube 600mm HO 8W865 T8	G13 6,500	83	1,050	50,000	No 200000X	1	8718696697511
MAS LEDtube 900mm 8.5W833 T8 FOOD	G13 3,300	83	750	50,000	No 50000X	2	8718696763919
MAS LEDtube 900mm HO 12W840 T8	G13 4,000	83	1,575	50,000	No 200000X	3	8718696687086
MAS LEDtube 900mm HO 12W865 T8	G13 6,500	83	1,575	50,000	No 200000X	3	8718696687109
MAS LEDtube 1200mm 12W833 T8 FOOD	G13 3,300	83	1,000	50,000	No 50000X	4	8718696763933
MAS LEDtube 1200mm HO 14W830 T8	G13 3,000	83	2,000	50,000	No 200000X	5	8718696687185
MAS LEDtube 1200mm HO 14W840 T8	G13 4,000	83	2,100	50,000	No 200000X	5	8718696687208
MAS LEDtube 1200mm HO 14W865 T8	G13 6,500	83	2,100	50,000	No 200000X	5	8718696687222
MAS LEDtube 1200mm UE 14.5W 840 T8	G13 4,000	83	2,500	60,000	No 200000X	6	8718696731505
MAS LEDtube 1200mm UE 14.5W 865 T8	G13 6,500	83	2,500	60,000	No 200000X	6	8718696731529
MAS LEDtube 1200mm UO 16W 830 T8	G13 3,000	83	2,300	50,000	No 200000X	5	8718696687369
MAS LEDtube 1200mm UO 16W 840 T8	G13 4,000	83	2,500	50,000	No 200000X	5	8718696687383
MAS LEDtube 1200mm UO 16W 865 T8	G13 6,500	83	2,500	50,000	No 200000X	5	8718696687406
MAS LEDtube 1500mm 20W833 T8 FOOD	G13 3,300	83	1,680	50,000	No 50000X	7	8718696763957
MAS LEDtube 1500mm HO 20W830 T8	G13 3,000	83	2,900	50,000	No 200000X	8	8718696687123
MAS LEDtube 1500mm HO 20W840 T8	G13 4,000	83	3,100	50,000	No 200000X	8	8718696687147
MAS LEDtube 1500mm HO 20W865 T8	G13 6,500	83	3,100	50,000	No 200000X	8	8718696687161
MAS LEDtube 1500mm UE 21.5W 840 T8	G13 4,000	83	3,700	60,000	No 200000X	9	8718696731543
MAS LEDtube 1500mm UE 21.5W 865 T8	G13 6,500	83	3,700	60,000	No 200000X	9	8718696731567
MAS LEDtube 1500mm UO 24W 830 T8	G13 3,000	83	3,400	50,000	No 200000X	10	8718696687420
MAS LEDtube 1500mm UO 24W 840 T8	G13 4,000	83	3,700	50,000	No 200000X	10	8718696687444
MAS LEDtube 1500mm UO 24W 865 T8	G13 6,500	83	3,700	50,000	No 200000X	10	8718696687468
MASTER LEDtube Starter EMP						11	8718291729280



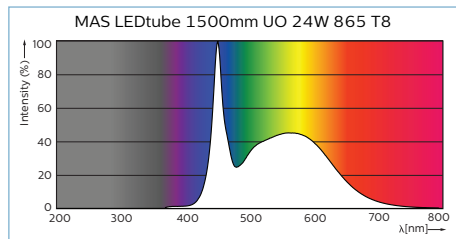
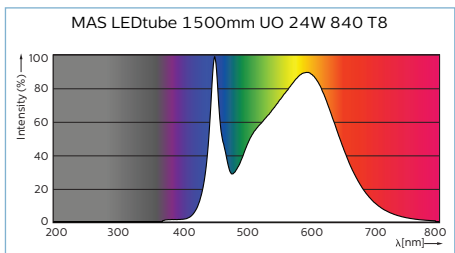
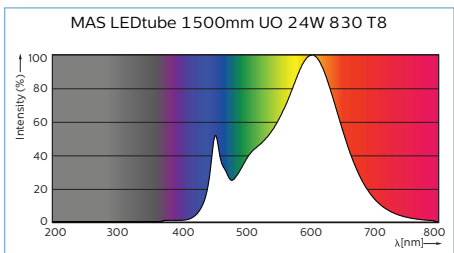
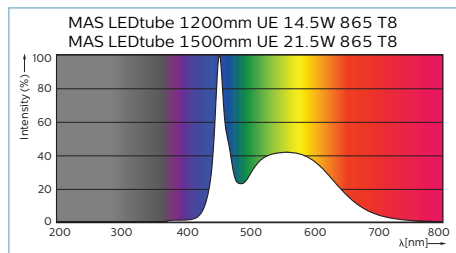
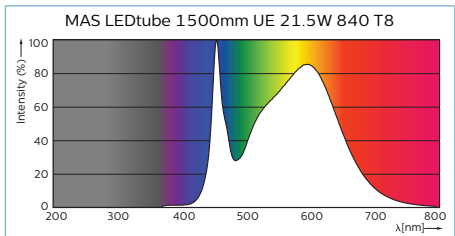
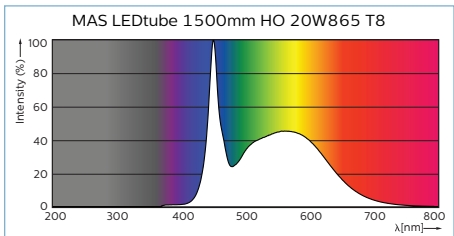
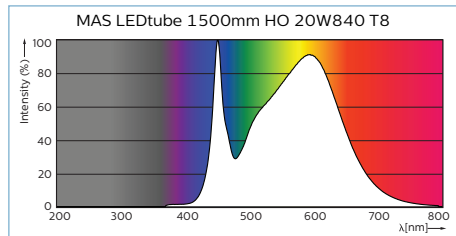
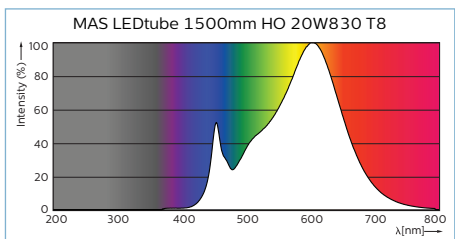
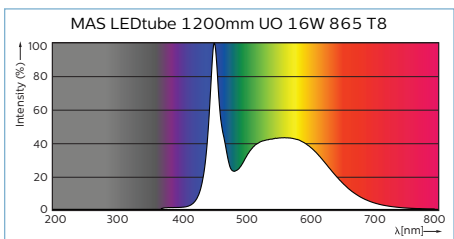
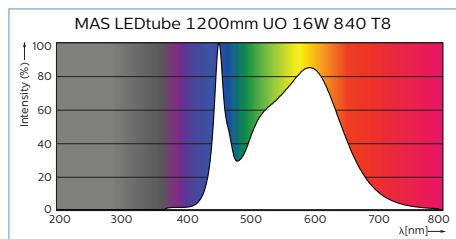
Commercial product name			National Lamp Fee <sup>1</sup>	Net Trade Price per Piece (€ net)	National Discount Group	EAN - 1
MAS LEDtube 600mm HO 8W830 T8	A++	10	fee relevant	9,40	L1	8718696697474
MAS LEDtube 600mm HO 8W840 T8	A++	10	fee relevant	9,40	L1	8718696697498
MAS LEDtube 600mm HO 8W865 T8	A++	10	fee relevant	9,40	L1	8718696697511
MAS LEDtube 900mm 8.5W833 T8 FOOD	A+	10	fee relevant	28,20	L1	8718696763919
MAS LEDtube 900mm HO 12W840 T8	A++	10	fee relevant	11,80	L1	8718696687086
MAS LEDtube 900mm HO 12W865 T8	A++	10	fee relevant	11,80	L1	8718696687109
MAS LEDtube 1200mm 12W833 T8 FOOD	A+	10	fee relevant	31,30	L1	8718696763933
MAS LEDtube 1200mm HO 14W830 T8	A++	10	fee relevant	12,50	L1	8718696687185
MAS LEDtube 1200mm HO 14W840 T8	A++	10	fee relevant	12,50	L1	8718696687208
MAS LEDtube 1200mm HO 14W865 T8	A++	10	fee relevant	12,50	L1	8718696687222
MAS LEDtube 1200mm UE 14.5W 840 T8	A++	10	fee relevant	18,80	L1	8718696731505
MAS LEDtube 1200mm UE 14.5W 865 T8	A++	10	fee relevant	18,80	L1	8718696731529
MAS LEDtube 1200mm UO 16W 830 T8	A++	10	fee relevant	14,10	L1	8718696687369
MAS LEDtube 1200mm UO 16W 840 T8	A++	10	fee relevant	14,10	L1	8718696687383
MAS LEDtube 1200mm UO 16W 865 T8	A++	10	fee relevant	14,10	L1	8718696687406
MAS LEDtube 1500mm 20W833 T8 FOOD	A+	10	fee relevant	34,40	L1	8718696763957
MAS LEDtube 1500mm HO 20W830 T8	A++	10	fee relevant	15,70	L1	8718696687123
MAS LEDtube 1500mm HO 20W840 T8	A++	10	fee relevant	15,70	L1	8718696687147
MAS LEDtube 1500mm HO 20W865 T8	A++	10	fee relevant	15,70	L1	8718696687161
MAS LEDtube 1500mm UE 21.5W 840 T8	A++	10	fee relevant	25,00	L1	8718696731543
MAS LEDtube 1500mm UE 21.5W 865 T8	A++	10	fee relevant	25,00	L1	8718696731567
MAS LEDtube 1500mm UO 24W 830 T8	A++	10	fee relevant	18,80	L1	8718696687420
MAS LEDtube 1500mm UO 24W 840 T8	A++	10	fee relevant	18,80	L1	8718696687444
MAS LEDtube 1500mm UO 24W 865 T8	A++	10	fee relevant	18,80	L1	8718696687468
MASTER LEDtube Starter EMP		40	fee relevant	2,40	L1	8718291729280

<sup>1</sup> Product fee relevant according local regulation

### Spectral power distribution







## CorePro LEDtube InstantFit HF



### The affordable LED solution

CorePro LEDtube InstantFit HF is an affordable LED solution suitable for replacing T8 fluorescent lamps. It provides a natural lighting effect for use in general lighting applications, as well as instant energy savings – an environmentally friendly solution.

#### Benefits

- Minimizes overall lighting costs
- Offers the cheapest and easiest upgrade to LED lighting technology

#### Features

- High energy efficiency
- Long lifetime
- Easy installation; retrofit replacement of existing T8 lamps on electronic (HF) ballast installations
- Conventional form factor to fit into existing luminaires
- No mercury

#### Application

- Parking lots and covered car parks
- Industrial facilities and warehouses
- Signage



	A1	A2	A3	D1	D2
	nom.	nom.	nom.	nom.	nom.
1	589.8	595.7	604	27.9	28

	A1	A2	A3	D
	nom.	nom.	nom.	nom.
2	1199.4	1205.3	1213.6	27.9
3	1500.0	1505.9	1514.2	27.9

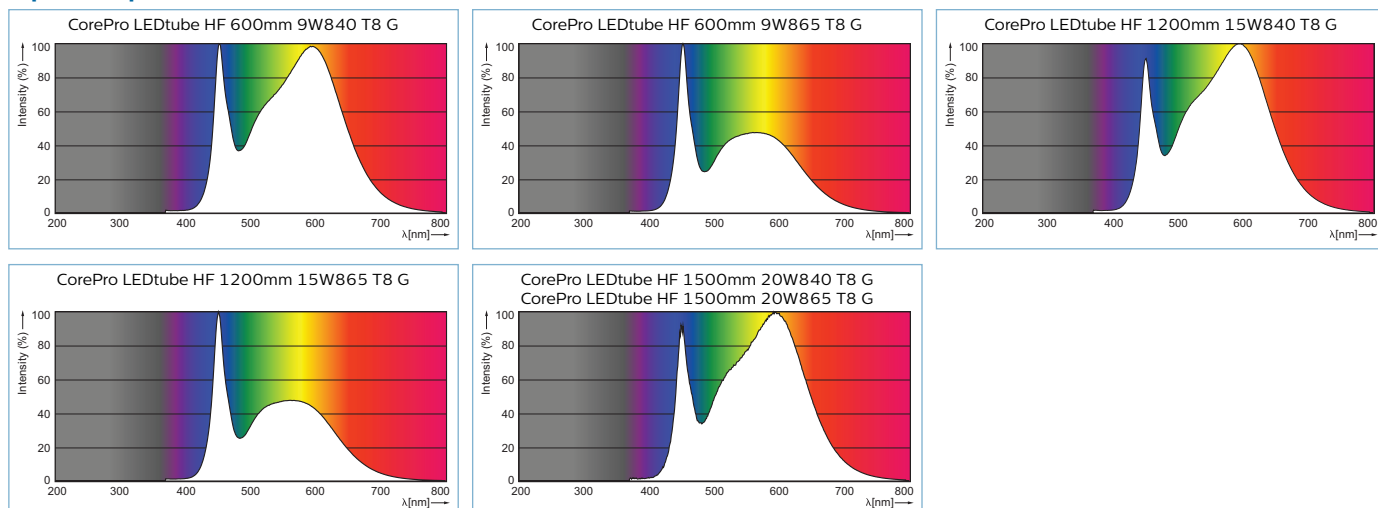
## G13

Type	Correlated Color Temperature (K)	Colour Rendering Index	Beam Angle (°)	Luminous Flux (Rated) (lm)	Luminous Efficacy (Rated) (lm/W)	Rated Lifetime (h)	Switching Cycle	mm	EAN-1
CorePro LEDtube HF 600mm 9W840 T8 G	4,000	83		800	89	30,000	No 50000X	1	8718696652176
CorePro LEDtube HF 600mm 9W865 T8 G	6,500	83		800	89	30,000	No 50000X	1	8718696652190
CorePro LEDtube HF 1200mm 15W840 T8 G	4,000	83		1,600	106	30,000	No 50000X	2	8718696581278
CorePro LEDtube HF 1200mm 15W865 T8 G	6,500	83		1,600	106	30,000	No 50000X	2	8718696581292
CorePro LEDtube HF 1500mm 20W840 T8 G	4,000	83	240	2,000	100	30,000	No 50000X	3	8718696592038
CorePro LEDtube HF 1500mm 20W865 T8 G	6,500	83	240	2,000	100	30,000	No 50000X	3	8718696592052

Commercial product name	Color Temperature	Beam Angle	National Lamp Fee <sup>1</sup>	Net Trade Price per Piece (€ net)	National Discount Group	EAN-1
CorePro LEDtube HF 600mm 9W840 T8 G	A	10	fee relevant	9,90	L6	8718696652176
CorePro LEDtube HF 600mm 9W865 T8 G	A	10	fee relevant	9,90	L6	8718696652190
CorePro LEDtube HF 1200mm 15W840 T8 G	A+	10	fee relevant	11,70	L6	8718696581278
CorePro LEDtube HF 1200mm 15W865 T8 G	A+	10	fee relevant	11,70	L6	8718696581292
CorePro LEDtube HF 1500mm 20W840 T8 G	A+	10	fee relevant	13,40	L6	8718696592038
CorePro LEDtube HF 1500mm 20W865 T8 G	A+	10	fee relevant	13,40	L6	8718696592052

<sup>1</sup> Product fee relevant according local regulation

### Spectral power distribution



## CorePro LEDtube EM/Mains T8



### The affordable LED solution

The CorePro LEDtube is an affordable LED solution suitable for replacing T8 fluorescent lamps. The product provides a natural lighting effect for use in general lighting applications, as well as instant energy savings – an environmentally friendly solution.

#### Benefits

- Minimizes overall lighting costs
- Offers cheapest and easiest upgrade to LED lighting technology

#### Features

- Only 50% energy consumption compared to fluorescent tubes

- Lasts two times longer than fluorescent tubes
- Retrofit replacement of existing T8 lamps on electromagnetic (EM) ballast installations

#### Application

- Parking lots and covered car parks
- Warehouses and coldrooms
- Signage

#### Warnings and Safety

- NOTES: The overall energy efficiency and light distribution of any installation that uses these lamps are determined by the design of the installation.



mm	A1 nom.	A2 nom.	A3 nom.	D1 nom.	D2 nom.
1	588.5	595.5	602.5	25.7	28
2	1198.0	1205.0	1212.0	25.7	28
3	1500.0	1507.1	1514.2	25.7	28

## G13

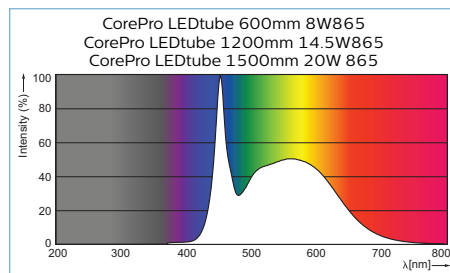
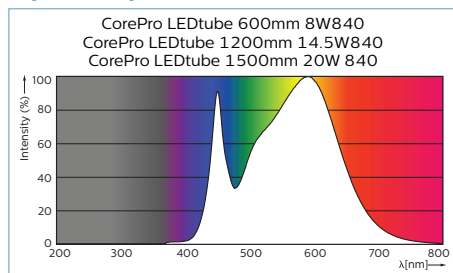
Type	Correlated Color Temperature (K)	Colour Rendering Index	Luminous Flux (Rated) (lm)	Rated Lifetime (h)	Switching Cycle	mm	EAN - 1
CorePro LEDtube 600mm 8W840	4,000	80	800	30,000	No	1	8718696711033
CorePro LEDtube 600mm 8W865	6,500	80	800	30,000	No	1	8718696711057
CorePro LEDtube 1200mm 14.5W840	4,000	80	1,600	30,000	No	2	8718696711071
CorePro LEDtube 1200mm 14.5W865	6,500	80	1,600	30,000	No	2	8718696711095
CorePro LEDtube 1500mm 20W 840	4,000	80	2,200	30,000	No	3	8718696710913
CorePro LEDtube 1500mm 20W 865	6,500	80	2,200	30,000	No	3	8718696710951

Commercial product name		National Lamp Fee <sup>1</sup>	Net Trade Price per Piece (€ net)	National Discount Group	EAN - 1	
CorePro LEDtube 600mm 8W840	A+ 10	fee relevant	4,50	L6	8718696711033	★
CorePro LEDtube 600mm 8W865	A+ 10	fee relevant	4,50	L6	8718696711057	★
CorePro LEDtube 1200mm 14.5W840	A+ 10	fee relevant	5,40	L6	8718696711071	★
CorePro LEDtube 1200mm 14.5W865	A+ 10	fee relevant	5,40	L6	8718696711095	★
CorePro LEDtube 1500mm 20W 840	A+ 10	fee relevant	7,20	L6	8718696710913	★
CorePro LEDtube 1500mm 20W 865	A+ 10	fee relevant	7,20	L6	8718696710951	★

<sup>1</sup> Product fee relevant according local regulation

★ = First choice

### Spectral power distribution



## Other LEDtube



### The new generation of energy-saving tube lighting

Philips LEDtube integrates a LED light source into a traditional fluorescent form factor. This product is the ideal solution for uplamping in general lighting applications: it meets basic lighting requirements, offers significant energy savings, and is environmentally friendly.

#### Benefits

- Reduced operational cost thanks to lower energy consumption
- Lower maintenance cost thanks to 2-3 times longer lifetime than conventional lamps

- Fastest and easiest way to upgrade existing luminaires to LED technology; completely safe product and installation process

#### Features

- Highly energy-efficient
- Easy installation
- Conventional form factor to fit into existing luminaires
- No mercury

#### Application

- Hospitality, retail, office, industrial and home applications



	A1	D
	mm	mm
	<b>A1 nom.</b>	<b>D nom.</b>
1	266.8	30
2	466.8	30

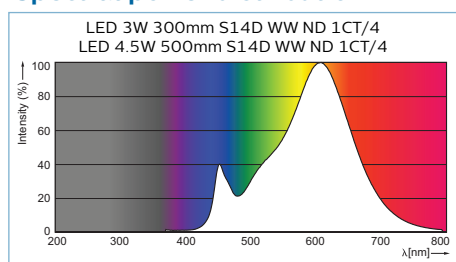
## S14D

Type	Correlated Color Temperature	Colour Rendering Index		Luminous Flux (Rated)	Luminous Efficacy (Rated)	Rated Lifetime		Switching Cycle	mm	EAN-1
	(K)		(°)	(lm)	(lm/W)	(h)				
LED 3W 300mm S14D WW ND 1CT/4	2,700	83	140	250	83.33	15,000	No	50000X	1	8718696586051
LED 4.5W 500mm S14D WW ND 1CT/4	2,700	83	140	375	83.33	15,000	No	50000X	2	8718696586075

Commercial product name			National Lamp Fee <sup>1</sup>	Net Trade Price per Piece	National Discount Group	EAN-1
				(€ net)		
LED 3W 300mm S14D WW ND 1CT/4	A+	4	fee relevant	8,10	L6	8718696586051
LED 4.5W 500mm S14D WW ND 1CT/4	A+	4	fee relevant	10,80	L6	8718696586075

<sup>1</sup> Product fee relevant according local regulation

### Spectral power distribution



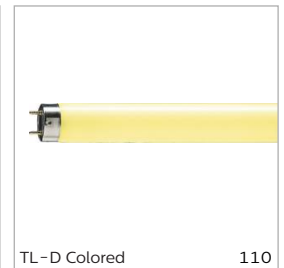




TL5 ⇨



TL-D ⇨



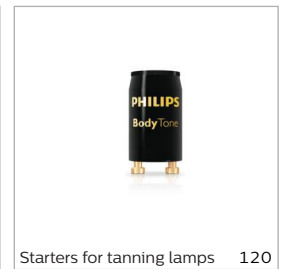
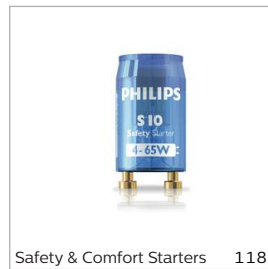
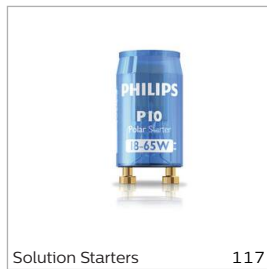
TL ⇨



TL Miniature ⇨



Starters for Fluorescent Lamps ⇨



## MASTER TL5 High Efficiency Eco



### The world's most efficient fluorescent lighting

This extremely efficient TL5 lamp (tube diameter 16 mm) saves considerable energy by simple lamp-for-lamp replacement. The TL5 HE Eco lamp offers excellent lumen maintenance and color rendering. Application areas vary from offices and industry to schools and retail environments.

#### Benefits

- Up to 10% energy saving with simply changing the lamp
- The same quality of light as compared with MASTER TL5 HE lamps
- All benefits of regular TL5 lamps

#### Features

- High lamp efficacies up to 114 lm/W
- Up to 10% power reduction in comparison with standard MASTER TL5 HE lamps
- Fluorescent Super 80 light quality

#### Environment

- Best environmental choice because of highest available energy efficiency for fluorescent lighting

- Less material, packaging, weight, transport and recycling volume due to smallest product dimensions
- This product range is RoHS compliant
- This product range is covered by WEEE

#### Application

- Ideally suited for recessed, surface-mounted and suspended luminaires e. g. in offices, shops, schools, public buildings and industry (low ceiling), wherever high-quality, energy-efficient lighting is required

#### Warnings and Safety

- A reduction in energy consumption is only achieved with current-controlled gear.
- The lamps operate perfectly with power-controlled gear, but in that case the light output can be up to 10% higher.
- A lamp breaking is extremely unlikely to have any impact on your health. If a lamp breaks, ventilate the room for 30 minutes and remove the parts, preferably with gloves. Put them in a sealed plastic bag and take it to your local waste facilities for recycling. Do not use a vacuum cleaner.

mm	A		B		C	D
	max.	min.	max.	max.		
1	549	553.7	556.1	563.2	17	
2	1149	1153.7	1156.1	1163.2	17	
3	1449	1453.7	1456.1	1463.2	17	

## MASTER TL5 HE Eco G5

Power/Light source color	Colour Rendering Index	Correlated Color Temperature	Luminous Flux (Rated)	Luminous Efficacy (@ Max Lumen, Rated)	Life to 10% Failures Preheat	Life to 50% Failures Preheat	mm	EAN - 1
		(K)	(lm)	(lm/W)	(h)	(h)		
12W/830	82	3,000	1,150	108	21,000	25,000	1	8711500881281
12W/840	82	4,000	1,150	108	21,000	25,000	1	8711500881298
25W/830	82	3,000	2,600	114	21,000	25,000	2	8711500880000
25W/840	82	4,000	2,600	114	21,000	25,000	2	8711500880017
32W/830	82	3,000	3,250	114	21,000	25,000	3	8711500880024
32W/840	82	4,000	3,250	114	21,000	25,000	3	8711500880031

Commercial product name		National Lamp Fee <sup>1</sup>	Net Trade Price per Piece	National Discount Group	EAN - 1
			(€ net)		
MASTER TL5 HE Eco 13=14W/830 UNP/40	A+ 40	fee relevant	4,40	L2	8711500881281
MASTER TL5 HE Eco 13=14W/840 UNP/40	A+ 40	fee relevant	4,40	L2	8711500881298
MASTER TL5 HE Eco 25=28W/830 UNP/40	A+ 40	fee relevant	5,50	L2	8711500880000
MASTER TL5 HE Eco 25=28W/840 UNP/40	A+ 40	fee relevant	5,50	L2	8711500880017
MASTER TL5 HE Eco 32=35W/830 UNP/40	A+ 40	fee relevant	5,50	L2	8711500880024
MASTER TL5 HE Eco 32=35W/840 UNP/40	A+ 40	fee relevant	5,50	L2	8711500880031

<sup>1</sup> Product fee relevant according local regulation

## MASTER TL5 High Efficiency



## High efficient fluorescent lighting

This TL5 lamp (tube diameter 16 mm) has a high luminous efficacy, resulting in low energy consumption. The High Efficiency TL5 lamp offers excellent lumen maintenance and good color rendering. Application areas are offices, industry, public and governmental buildings, schools, hospitals and indoor sports lighting.

## Benefits

- Allows system miniaturization and maximum luminaire design freedom
- Lamp lengths enable easy fitting into ceiling module systems
- High lamp efficacies and luminaire efficiencies

## Features

- 40% thinner and 5 cm shorter than corresponding TL-D lamps
- High lamp efficacies up to 104 lm/W
- Specifically designed for operation with electronic gear
- Maximum light output reached at approximately 35 °C in free-burning position

## Environment

- Best environmental choice because of highest energy efficiency available for fluorescent lighting. Lowest CO<sub>2</sub> emission compared to any other comparable lightsource (40% less than a TL-D standard lamp, 26% less than TL-D 800).
- Less material, packaging, weight, transport and recycling volume due to smallest product dimensions (only 16 mm diameter, 40% less compared with TL-D lamps)
- This product range is RoHS compliant
- This product range is covered by WEEE

## Application

- Ideally suited for recessed, surface-mounted and suspended luminaires in applications like offices, shops, schools, public buildings and industry (low ceiling), wherever high-quality, energy-effective lighting is required

## Warnings and Safety

- A lamp breaking is extremely unlikely to have any impact on your health. If a lamp breaks, ventilate the room for 30 minutes and remove the parts, preferably with gloves. Put them in a sealed plastic bag and take it to your local waste facilities for recycling. Do not use a vacuum cleaner.

	A		B		C	D
	max.	min.	max.	max.	max.	max.
1	549	553.7	556.1	563.2	17	
2	849	853.7	856.1	863.2	17	
3	1149	1153.7	1156.1	1163.2	17	
4	1449	1453.7	1456.1	1463.2	17	

## MASTER TL5 HE G5

Power/Light source color	Colour Rendering Index	Correlated Color Temperature (K)	Luminous Flux (Rated) (lm)	Luminous Efficacy (@ Max Lumen, Rated) (lm/W)	Life to 10% Failures Preheat (h)	Life to 50% Failures Preheat (h)	mm	EAN-1
14W/827	82	2,700	1,200	99	19,000	24,000	1	8711500641021
14W/830	>80	3,000	1,200	99	19,000	24,000	1	8711500639387
14W/840	82	4,000	1,200	99	19,000	24,000	1	8711500639400
14W/865	82	6,500	1,125	91	19,000	24,000	1	8711500710093
21W/827	82	2,700	1,850	101	19,000	24,000	2	8711500643209
21W/830	>80	3,000	1,850	101	19,000	24,000	2	8711500639424
21W/840	82	4,000	1,850	101	19,000	24,000	2	8711500639448
21W/865	82	6,500	1,725	94	19,000	24,000	2	8711500710116
28W/827	82	2,700	2,675	104	19,000	24,000	3	8711500643223
28W/830	>80	3,000	2,675	104	19,000	24,000	3	8711500639462
28W/840	82	4,000	2,675	104	19,000	24,000	3	8711500639486
28W/865	82	6,500	2,500	97	19,000	24,000	3	8711500710154
35W/827	82	2,700	3,325	105	19,000	24,000	4	8711500643247
35W/830	82	3,000	3,325	105	19,000	24,000	4	8711500639509
35W/840	82	4,000	3,325	105	19,000	24,000	4	8711500639523
35W/865	82	6,500	3,100	98	19,000	24,000	4	8711500710185

Commercial product name			National Lamp Fee <sup>1</sup>	Net Trade Price per Piece (€ net)	National Discount Group	EAN-1
MASTER TL5 HE 14W/827 SLV/40	A+	40	fee relevant	2,50	L2	8711500641021
MASTER TL5 HE 14W/830 SLV/40	A+	40	fee relevant	2,50	L2	8711500639387
MASTER TL5 HE 14W/840 SLV/40	A+	40	fee relevant	2,50	L2	8711500639400
MASTER TL5 HE 14W/865 SLV/40	A+	40	fee relevant	2,50	L2	8711500710093
MASTER TL5 HE 21W/827 SLV/40	A+	40	fee relevant	2,50	L2	8711500643209
MASTER TL5 HE 21W/830 SLV/40	A+	40	fee relevant	2,50	L2	8711500639424
MASTER TL5 HE 21W/840 SLV/40	A+	40	fee relevant	2,50	L2	8711500639448
MASTER TL5 HE 21W/865 SLV/40	A+	40	fee relevant	2,50	L2	8711500710116
MASTER TL5 HE 28W/827 SLV/40	A+	40	fee relevant	2,60	L2	8711500643223
MASTER TL5 HE 28W/830 SLV/40	A+	40	fee relevant	2,60	L2	8711500639462
MASTER TL5 HE 28W/840 SLV/40	A+	40	fee relevant	2,60	L2	8711500639486
MASTER TL5 HE 28W/865 SLV/40	A+	40	fee relevant	2,60	L2	8711500710154
MASTER TL5 HE 35W/827 SLV/40	A+	40	fee relevant	2,60	L2	8711500643247
MASTER TL5 HE 35W/830 SLV/40	A+	40	fee relevant	2,60	L2	8711500639509
MASTER TL5 HE 35W/840 SLV/40	A+	40	fee relevant	2,60	L2	8711500639523
MASTER TL5 HE 35W/865 SLV/40	A+	40	fee relevant	2,60	L2	8711500710185

<sup>1</sup> Product fee relevant according local regulation

## MASTER TL5 High Output Eco



### The world's most efficient and brightest fluorescent lighting

This extremely efficient TL5 lamp (tube diameter 16 mm) saves considerable energy by simple lamp-for-lamp replacement. The TL5 HO Eco lamp is optimized for installations requiring high light output and offers excellent lumen maintenance and color rendering. Application areas vary from offices and industry to schools and retail environments.

#### Benefits

- Up to 10% energy saving with simply changing the lamp
- The same quality of light as compared with MASTER TL5 HO lamps
- All benefits of regular TL5 lamps

#### Features

- High lamp efficacies up to 109 lm/W
- Up to 10% power reduction in comparison with standard MASTER TL5 HO lamps

#### Environment

- Best environmental choice because of highest available energy efficiency for fluorescent lighting

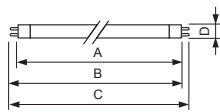
- Less material, packaging, weight, transport and recycling volume due to smallest product dimensions
- This product range is RoHS compliant
- This product range is covered by WEEE

#### Application

- Offers very economic solutions for high-ceiling lighting in shops, industry and department stores
- The high luminous flux gives optimal results in aesthetic pendants and furniture-mounted luminaires in offices, workshops, restaurants and reception areas

#### Warnings and Safety

- A reduction in energy consumption is only achieved with current-controlled gear.
- The lamps operate perfectly with power-controlled gear, but in that case the light output can be up to 10% higher.
- A lamp breaking is extremely unlikely to have any impact on your health. If a lamp breaks, ventilate the room for 30 minutes and remove the parts, preferably with gloves. Put them in a sealed plastic bag and take it to your local waste facilities for recycling. Do not use a vacuum cleaner.



mm	A		B		C	D
	max.	min.	max.	max.		
1	549	553.7	556.1	563.2	17	
2	1449	1453.7	1456.1	1463.2	17	
3	1149	1153.7	1156.1	1163.2	17	

## MASTER TL5 HO Eco G5

Power/Light source color	Colour Rendering Index	Correlated Color Temperature	Luminous Flux (Rated)	Luminous Efficacy (@ Max Lumen, Rated)	Life to 10% Failures Preheat	Life to 50% Failures Preheat	mm	EAN-1
		(K)	(lm)	(lm/W)	(h)	(h)		
20W/830	82	3,000	1,650	99	21,000	30,000	1	8711500881304
20W/840	82	4,000	1,650	99	21,000	30,000	1	8711500881311
45W/830	82	3,000	4,100	108	21,000	30,000	2	8711500880062
45W/840	82	4,000	4,100	108	21,000	30,000	2	8711500880079
50W/830	85	3,000	4,450	102	21,000	30,000	3	8711500880048
50W/840	85	4,000	4,450	102	21,000	30,000	3	8711500880055
73W/830	82	3,000	6,550	95	21,000	30,000	2	8711500880086
73W/840	82	4,000	6,550	95	21,000	30,000	2	8711500880093

Commercial product name			National Lamp Fee <sup>1</sup>	Net Trade Price per Piece	National Discount Group	EAN-1
				(€ net)		
MASTER TL5 HO Eco 20=24W/830 UNP/40	A+	40	fee relevant	5,50	L2	8711500881304
MASTER TL5 HO Eco 20=24W/840 UNP/40	A+	40	fee relevant	5,50	L2	8711500881311
MASTER TL5 HO Eco 45=49W/830 UNP/40	A+	40	fee relevant	5,20	L2	8711500880062
MASTER TL5 HO Eco 45=49W/840 UNP/40	A+	40	fee relevant	5,20	L2	8711500880079
MASTER TL5 HO Eco 50=54W/830 UNP/40	A+	40	fee relevant	5,20	L2	8711500880048
MASTER TL5 HO Eco 50=54W/840 UNP/40	A+	40	fee relevant	5,20	L2	8711500880055
MASTER TL5 HO Eco 73=80W/830 UNP/40	A+	40	fee relevant	5,50	L2	8711500880086
MASTER TL5 HO Eco 73=80W/840 UNP/40	A+	40	fee relevant	5,50	L2	8711500880093

<sup>1</sup> Product fee relevant according local regulation

## MASTER TL5 High Output



### The world's brightest fluorescent lighting

This TL5 lamp (tube diameter 16 mm) offers high light output. The TL5 HO lamp is optimized for installations requiring high light output and offers excellent lumen maintenance and color rendering. Application areas vary from offices and industry to schools and retail environments.

#### Benefits

- Allows system miniaturization and maximum luminaire design freedom
- Lamp lengths enable easy fitting into ceiling module systems
- Optimized for installations which need high luminous flux
- Virtually constant lumen level with excellent lumen maintenance
- Good color rendering

#### Features

- 40% thinner than TL-D lamps
- Designed for high light output and system miniaturization
- Highly efficient 3-band fluorescent coating in combination with precoating
- Specifically designed for operation with electronic gear and well-suited for dimming
- Maximum light output reached at approximately 35 °C in free-burning position if an electronic driver with cut-off feature is used
- Can be ignited from -15 to +50 °C

#### Environment

- Best environmental choice because of highest energy efficiency available for fluorescent lighting. Lowest CO<sub>2</sub> emission compared to any other comparable lightsource (40% less than a TL-D standard lamp, 26% less than TL-D 800 colors).
- Less material, packaging, weight, transport and recycling volume due to smallest product dimensions (only 16 mm diameter, 40% less compared with TL-D lamps)
- This product range is RoHS compliant
- This product range is covered by WEEE

#### Application

- The combination of a compact lamp and high lumen package of the MASTER TL5 HO offers exciting opportunities for architectural lighting and customized solutions
- Offers economic solutions with high-ceiling lighting in shops, industry and department stores
- The high luminous flux gives optimal results in aesthetic pendants and furniture-mounted luminaires in offices, workshops, restaurants and reception areas

#### Warnings and Safety

- A lamp breaking is extremely unlikely to have any impact on your health. If a lamp breaks, ventilate the room for 30 minutes and remove the parts, preferably with gloves. Put them in a sealed plastic bag and take it to your local waste facilities for recycling. Do not use a vacuum cleaner.

mm	A		B		C	D
	max.	min.	max.	max.	max.	max.
1	549	553.7	556.1	563.2	17	17
2	849	853.7	856.1	863.2	17	17
3	1449	1453.7	1456.1	1463.2	17	17
4	1149	1153.7	1156.1	1163.2	17	17



## MASTER TL5 HO G5

Power/Light source color	Colour Rendering Index	Correlated Color Temperature (K)	Luminous Flux (Rated) (lm)	Luminous Efficacy (@ Max Lumen, Rated) (lm/W)	Life to 10% Failures Preheat (h)	Life to 50% Failures Preheat (h)	mm	EAN-1
24W/830	82	3,000	1,700	87	21,000	30,000	1	8711500639585
24W/840	82	4,000	1,700	87	21,000	30,000	1	8711500639608
24W/865	82	6,500	1,575	81	21,000	30,000	1	8711500643933
39W/830	82	3,000	3,100	92	21,000	30,000	2	8711500639622
39W/840	82	4,000	3,100	92	21,000	30,000	2	8711500639646
39W/865	82	6,500	2,875	86	21,000	30,000	2	8711500643872
49W/830	82	3,000	4,375	99	21,000	30,000	3	8711500639547
49W/840	82	4,000	4,375	99	21,000	30,000	3	8711500639561
49W/865	82	6,500	4,075	92	21,000	30,000	3	8711500643896
54W/830	85	3,000	4,500	93	21,000	30,000	4	8711500643162
54W/840	85	4,000	4,500	93	21,000	30,000	4	8711500643186
54W/865	85	6,500	4,200	86	21,000	30,000	4	8711500643919
80W/830	82	3,000	6,550	88	21,000	30,000	3	8711500710406
80W/840	82	4,000	6,550	88	21,000	30,000	3	8711500710451
80W/865	82	6,500	6,300	83	21,000	30,000	3	8711500710475

Commercial product name			National Lamp Fee <sup>1</sup>	Net Trade Price per Piece (€ net)	National Discount Group	EAN-1
MASTER TL5 HO 24W/830 SLV/40	A	40	fee relevant	2,80	L2	8711500639585
MASTER TL5 HO 24W/840 SLV/40	A	40	fee relevant	2,80	L2	8711500639608
MASTER TL5 HO 24W/865 SLV/40	A	40	fee relevant	2,80	L2	8711500643933
MASTER TL5 HO 39W/830 SLV/40	A+	40	fee relevant	2,90	L2	8711500639622
MASTER TL5 HO 39W/840 SLV/40	A+	40	fee relevant	2,90	L2	8711500639646
MASTER TL5 HO 39W/865 SLV/40	A	40	fee relevant	2,90	L2	8711500643872

More data see next page



Commercial product name			National Lamp Fee <sup>1</sup>	Net Trade Price per Piece (€ net)	National Discount Group	EAN - 1
MASTER TL5 HO 49W/830 SLV/40	A+	40	fee relevant	3,00	L2	8711500639547
MASTER TL5 HO 49W/840 SLV/40	A+	40	fee relevant	3,00	L2	8711500639561
MASTER TL5 HO 49W/865 SLV/40	A+	40	fee relevant	3,00	L2	8711500643896
MASTER TL5 HO 54W/830 SLV/40	A+	40	fee relevant	3,00	L2	8711500643162
MASTER TL5 HO 54W/840 SLV/40	A+	40	fee relevant	3,00	L2	8711500643186
MASTER TL5 HO 54W/865 SLV/40	A	40	fee relevant	3,00	L2	8711500643919
MASTER TL5 HO 80W/830 SLV/40	A	40	fee relevant	3,30	L2	8711500710406
MASTER TL5 HO 80W/840 SLV/40	A	40	fee relevant	3,30	L2	8711500710451
MASTER TL5 HO 80W/865 SLV/40	A	40	fee relevant	3,30	L2	8711500710475

<sup>1</sup> Product fee relevant according local regulation

## MASTER TL5 High Output Xtra



### Long life fluorescent lighting

This TL5 lamp (tube diameter 16 mm) combines the advantages of a TL5 High Output lamp (TL5 HO lamps are optimized for installations requiring high light output and offer excellent lumen maintenance and color rendering) with a long and reliable lifetime. This results in extra-low maintenance costs and saves on expensive spot replacement. Main applications are places where lamp replacement costs and/or costs of disruption are high.

#### Benefits

- Longer lifetime and fewer early failures mean lower maintenance costs and facilitate change from spot to group replacement
- Less waste and disposal cost at end-of-life
- Allows system miniaturisation with maximum luminaire design freedom

#### Features

- Significant reduction of early failures through advanced long life technology
- Extra long lifetime
- Designed for high light output and system miniaturization (40% thinner than TL-D lamps)
- Maximum light output reached at approximately 35 °C in free-burning position if an electronic driver with cut-off feature is used
- Low mercury dose

#### Environment

- Best environmental choice because of highest energy efficiency for fluorescent lighting and long reliable life. This leads to lower CO<sub>2</sub> emissions than any other comparable light source (40% less than TL-D standard colors lamp, 26% less than TL-D 800 colors) and less waste.
- This product range is RoHS compliant
- This product range is covered by WEEE

#### Application

- Where maintenance costs are high, e. g. high ceilings or other hard-to-reach locations
- Department stores, supermarkets, warehouses, production halls and public areas like car parks and railway stations

#### Warnings and Safety

- Philips HF Xtreme gear ensures longest lifetime.
- To achieve lifetimes as published for 100% operation, dimming below 30% should not be applied.
- A lamp breaking is extremely unlikely to have any impact on your health. If a lamp breaks, ventilate the room for 30 minutes and remove the parts, preferably with gloves. Put them in a sealed plastic bag and take it to your local waste facilities for recycling. Do not use a vacuum cleaner.

mm	A		B		C	D
	max.	min.	max.	min.	max.	max.
1	1449	1453.7	1456.1	1463.2	1463.2	17
2	1149	1153.7	1156.1	1163.2	1163.2	17

## MASTER TL5 HO Xtra G5

Power/Light source color	Colour Rendering Index	Correlated Color Temperature (K)	Luminous Flux (Rated) (lm)	Luminous Efficacy (@ Max Lumen, Rated) (lm/W)	Life to 10% Failures Preheat (h)	Life to 50% Failures Preheat (h)	mm	EAN-1
49W/840	82	4,000	4,375	99	30,000	45,000	1	8711500262530
54W/840	82	4,000	4,500	93	30,000	45,000	2	8711500263520
80W/840	82	4,000	6,400	88	30,000	45,000	1	8711500263032

Commercial product name			National Lamp Fee <sup>1</sup>	Net Trade Price per Piece (€ net)	National Discount Group	EAN-1
MASTER TL5 HO Xtra 49W/840 SLV/20	A+	20	fee relevant	11,40	L2	8711500262530
MASTER TL5 HO Xtra 54W/840 SLV/20	A+	20	fee relevant	11,40	L2	8711500263520
MASTER TL5 HO Xtra 80W/840 SLV/20	A	20	fee relevant	13,00	L2	8711500263032

<sup>1</sup> Product fee relevant according local regulation

## MASTER TL5 High Efficiency Secura



### Shatterfree fluorescent lighting

This TL5 High Efficiency Secura lamp (tube diameter 16 mm) has a protective coating that keeps glass and lamp components together in the event of accidental breakage. The lamp is easily identifiable by a blue ring at one end. Application areas are all places where glass shatters can disturb operations and can have an impact on product and people safety, e. g. the food and beverage industry. This lamp is compliant with HACCP regulations and supports HACCP certification.

#### Benefits

- Special protective coating around the lamp prevents products from contamination in case of accidental lamp breakage
- The protective coating has a high temperature-resistance and no degradation to be expected under influence of temperature or UV within specified lamp life (50% failures @ 3 hrs switching cycle)
- Making luminaires compliant with relevant standards in the industry, such as HACCP, ISO 22000 and IEC 61549

#### Features

- Protective coating around the lamp
- Fully compliant with IEC 61549 - Fragment Retention Lamp Standard
- Compliant with relevant standards in the food industry, such as HACCP and ISO 22000

- Superior coating material (Teflon) with high temperature resistance (up to 200 °C) and no degradation under influence of temperature or UV
- Single blue ring around one end for identification
- Direct retrofit for all TL5 HE lamps

#### Environment

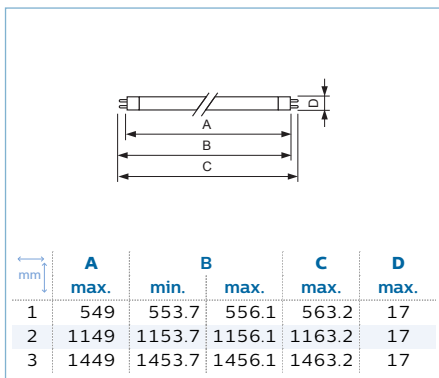
- Best environmental choice because of highest energy efficiency
- This product is RoHS compliant
- This product is covered by WEEE

#### Application

- For use where contamination resulting from lamp breakage must be prevented, e. g. in food industry, suppliers to the food industry, health care, pharmaceuticals, cleanrooms etc.
- Suitable for use in environments with increased risk of breakage, e. g. sports halls

#### Warnings and Safety

- A lamp breaking is extremely unlikely to have any impact on your health. If a lamp breaks, ventilate the room for 30 minutes and remove the parts, preferably with gloves. Put them in a sealed plastic bag and take it to your local waste facilities for recycling. Do not use a vacuum cleaner.
- In order to ensure the integrity of the coating, it is strongly recommended to replace Secura lamps before or at the moment the specified lamp life (50% failures @ 3 hrs switching cycle) is reached.



## MASTER TL5 HE Secura G5

Power/Light source color	Colour Rendering Index	Correlated Color Temperature (K)	Luminous Flux (Rated) (lm)	Luminous Efficacy (@ Max Lumen, Rated) (lm/W)	Life to 10% Failures Preheat (h)	Life to 50% Failures Preheat (h)	mm	EAN - 1
14W/840	82	4,000	1,200	99	19,000	24,000	1	8711500954763
27.9W/840	82	4,000	2,675	104	19,000	24,000	2	8711500952158
35.5W/840	82	4,000	3,325	105	19,000	24,000	3	8711500952196

Commercial product name			National Lamp Fee <sup>1</sup>	Net Trade Price per Piece (€ net)	National Discount Group	EAN - 1
Z MASTER TL5 HE Secura 14W/840 UNP/40	A+	40	fee relevant	24,09	L2	8711500954763
Z MASTER TL5 HE Secura 28W/840 UNP/40	A+	40	fee relevant	24,09	L2	8711500952158
Z MASTER TL5 HE Secura 35W/840 UNP/40	A+	40	fee relevant	24,09	L2	8711500952196

<sup>1</sup> Product fee relevant according local regulation

Z = available until stock lasts

## MASTER TL5 High Output Secura



### Shatterfree fluorescent lighting

This TL5 High Output Secura lamp (tube diameter 16 mm) has a protective coating that keeps glass and lamp components together in the event of accidental breakage. The lamp is easily identifiable by a blue ring at one end. Application areas are all places where glass shatters can disturb operations and can have an impact on product and people safety, e. g. the food and beverage industry. This lamp is compliant with HACCP regulations and supports HACCP certification.

#### Benefits

- Special protective coating around the lamp prevents products from contamination in case of accidental lamp breakage
- The protective coating has a high temperature-resistance and no degradation to be expected under influence of temperature or UV within specified lamp life (50% failures @ 3 hrs switching cycle)
- Making luminaires compliant with relevant standards in the industry, such as HACCP, ISO 22000 and IEC 61549

#### Features

- Protective coating around the lamp
- Fully compliant with IEC 61549 - Fragment Retention Lamp Standard
- Superior coating material (Teflon) with high temperature-resistance (up to 200°C) and no degradation under influence of temperature or UV

- Single blue ring around one end for identification
- Direct retrofit for all TL5 HO lamps

#### Environment

- Best environmental choice because of highest energy efficiency
- This product is RoHS compliant
- This product is covered by WEEE

#### Application

- For use where contamination resulting from lamp breakage must be prevented, e. g. in food industry, suppliers to the food industry, health care, pharmaceuticals, cleanrooms etc.
- Suitable for use in environments with increased risk of breakage, e. g. sports halls

#### Warnings and Safety

- A lamp breaking is extremely unlikely to have any impact on your health. If a lamp breaks, ventilate the room for 30 minutes and remove the parts, preferably with gloves. Put them in a sealed plastic bag and take it to your local waste facilities for recycling. Do not use a vacuum cleaner.
- In order to ensure the integrity of the coating, it is strongly recommended to replace Secura lamps before or at the moment the specified lamp life (50% failures @ 3 hrs switching cycle) is reached.

mm	A		B		C	D
	max.	min.	max.	max.	max.	max.
1	1449	1453.7	1456.1	1463.2	17	17
2	1149	1153.7	1156.1	1163.2	17	17

## MASTER TL5 HO Secura G5

Power/Light source color	Colour Rendering Index	Correlated Color Temperature (K)	Luminous Flux (Rated) (lm)	Luminous Efficacy (@ Max Lumen, Rated) (lm/W)	Life to 10% Failures Preheat (h)	Life to 50% Failures Preheat (h)	mm	EAN-1
49.2W/840	82	4,000	4,375	99	21,000	30,000	1	8711500952271
54.1W/840	82	4,000	4,500	93	21,000	30,000	2	8711500952318
79.8W/840	82	4,000	6,550	88	21,000	30,000	1	8711500952356

Commercial product name			National Lamp Fee <sup>1</sup>	Net Trade Price per Piece (€ net)	National Discount Group	EAN-1
MASTER TL5 HO Secura 49W/840 UNP/40	A+	40	fee relevant	24,09	L2	8711500952271
MASTER TL5 HO Secura 54W/840 UNP/40	A+	40	fee relevant	24,09	L2	8711500952318
MASTER TL5 HO Secura 80W/840 UNP/40	A	40	fee relevant	24,09	L2	8711500952356

<sup>1</sup> Product fee relevant according local regulation

## MASTER TL5 High Output 90 De Luxe



## Seeing colors in a natural way

This TL5 High Output lamp (tube diameter 16 mm) has excellent color rendering (CRI > 90). This means that colors are presented in a natural way, making them appear rich, deep and enhanced as they do in daylight. Application areas are places where color rendering is key, e. g. the printing industry, libraries, museums, hospitals and shops (jewelry, flowers, clothing, textile, leather, carpets).

## Benefits

- Allows system miniaturisation and maximum luminaire design freedom, with lamp lengths defined for easy fitting into ceiling module systems
- Virtually constant lumen level with good lumen maintenance
- Excellent color rendering

## Features

- 40% thinner than TL-D lamps

- Highly efficient multi-band fluorescent coating in combination with precoating
- Specifically designed for operation with electronic gear and well-suited for dimming
- Maximum light output reached at approximately 35 °C in free-burning position if an electronic driver with cut-off feature is used
- Can be ignited from -15 to +50 °C

## Application

- Where a high color recognition is needed: first aid and treatment rooms in hospitals, printing rooms, jewellery manufacturing, dentists, hairdressing, museums and shops

## Warnings and Safety

- A lamp breaking is extremely unlikely to have any impact on your health. If a lamp breaks, ventilate the room for 30 minutes and remove the parts, preferably with gloves. Put them in a sealed plastic bag and take it to your local waste facilities for recycling. Do not use a vacuum cleaner.

mm	A		B		C	D
	max.	min.	max.	max.	max.	max.
1	549	553.7	556.1	563.2	17	17
2	1449	1453.7	1456.1	1463.2	17	17
3	1149	1153.7	1156.1	1163.2	17	17

## MASTER TL5 HO 90 De Luxe G5

Power/Light source color	Colour Rendering Index	Correlated Color Temperature (K)	Luminous Flux (Rated) (lm)	Luminous Efficacy (@ Max Lumen, Rated) (lm/W)	Life to 10% Failures Preheat (h)	Life to 50% Failures Preheat (h)	mm	EAN - 1
22.5W/940	91	4,000	1,525	78	21,000	30,000	1	8711500868954
22.5W/950	92	5,200	1,525	78	21,000	30,000	1	8711500890641
22.5W/965	93	6,800	1,525	78	21,000	30,000	1	8711500261304
49.2W/940	91	4,000	3,725	85	21,000	30,000	2	8711500868978
49.2W/950	92	5,200	3,725	85	21,000	30,000	2	8711500890627
49.2W/965	93	6,800	3,725	85	21,000	30,000	2	8711500869722
54.1W/940	91	4,000	3,825	80	21,000	30,000	3	8711500869050
54.1W/950	92	5,200	3,825	80	21,000	30,000	3	8711500890665
54.1W/965	93	6,800	3,825	80	21,000	30,000	3	8711500869838

Commercial product name			National Lamp Fee <sup>1</sup>	Net Trade Price per Piece (€ net)	National Discount Group	EAN - 1
MASTER TL5 HO 90 De Luxe 24W/940 1SL20	A	20	fee relevant	10,10	L2	8711500868954
MASTER TL5 HO 90 De Luxe 24W/950 1SL20	A	20	fee relevant	10,10	L2	8711500890641
MASTER TL5 HO 90 De Luxe 24W/965 1SL20	A	20	fee relevant	10,10	L2	8711500261304
MASTER TL5 HO 90 De Luxe 49W/940 1SL20	A	20	fee relevant	12,10	L2	8711500868978
MASTER TL5 HO 90 De Luxe 49W/950 1SL20	A	20	fee relevant	12,10	L2	8711500890627
MASTER TL5 HO 90 De Luxe 49W/965 1SL20	A	20	fee relevant	12,10	L2	8711500869722
MASTER TL5 HO 90 De Luxe 54W/940 1SL20	A	20	fee relevant	10,10	L2	8711500869050
MASTER TL5 HO 90 De Luxe 54W/950 1SL20	A	20	fee relevant	10,10	L2	8711500890665
MASTER TL5 HO 90 De Luxe 54W/965 1SL20	A	20	fee relevant	10,10	L2	8711500869838

<sup>1</sup> Product fee relevant according local regulation



## MASTER TL5 Circular



## Extended design possibilities

This circular TL5 lamp (tube diameter 16 mm) offers extended design possibilities. The slim tube allows the creation of extremely flat luminaires and enables omni-directional light distribution. It is suitable for a wide range of professional and semi-professional applications, and is ideal for use in shops, offices and public areas with unconventional layouts.

## Benefits

- Slim 16 mm tube allows creation of extremely flat luminaires
- Allows appealing circular designs
- High lamp efficacy
- Good color rendering
- Higher average system efficiency

## Features

- Perfect circular shape
- Highly efficient 3-band fluorescent coating

- Specifically designed for operation with electronic gear
- Amalgam technology (55 and 60 W only)

## Application

- Brings the benefits of TL5 lighting to an even wider range of attractive applications
- Suitable for a wide range of professional and semi-professional applications
- Ideal for use in shops, offices and public areas with non-traditional lay-outs
- Amalgam lamps 55 W and 60 W are limited suitable for dimming applications

## Warnings and Safety

- A lamp breaking is extremely unlikely to have any impact on your health. If a lamp breaks, ventilate the room for 30 minutes and remove the parts, preferably with gloves. Put them in a sealed plastic bag and take it to your local waste facilities for recycling. Do not use a vacuum cleaner.

	D		E		I	
	min.	max.	min.	max.	min.	max.
1	14	18	220	230	187	197
2	14	18	293	305	260	272
3	14	18	367	379	334	346

## MASTER TL5 Circular 2GX13

Power/Light source color	Colour Rendering Index	Correlated Color Temperature (K)	Luminous Flux (Rated) (lm)	Life to 10% Failures Preheat (h)	Life to 50% Failures Preheat (h)	mm	EAN - 1
22W/827	85	2,700	1,800	8,000	12,000	1	8711500642196
22W/830	85	3,000	1,800	8,000	12,000	1	8711500640956
22W/840	85	4,000	1,800	8,000	12,000	1	8711500642219
40W/827	85	2,700	3,300	8,000	12,000	2	8711500642752
40W/830	85	3,000	3,300	8,000	12,000	2	8711500640970
40W/840	85	4,000	3,300	8,000	12,000	2	8711500642233
55W/830	85	3,000	4,200	8,000	12,000	2	8711500642790
55W/841	85	4,100	4,200	8,000	12,000	2	8711500642516
60W/830	85	3,000	5,000	8,000	12,000	3	8711500642592
60W/840	85	4,000	5,000	8,000	12,000	3	8711500642615

Commercial product name	Energy Class	National Lamp Fee <sup>1</sup>	National Lamp Fee <sup>1</sup>	Net Trade Price per Piece (€ net)	National Discount Group	EAN - 1
MASTER TL5 Circular 22W/827 1CT/10	A	10	fee relevant	10,80	L2	8711500642196
MASTER TL5 Circular 22W/830 1CT/10	A	10	fee relevant	10,80	L2	8711500640956
MASTER TL5 Circular 22W/840 1CT/10	A	10	fee relevant	10,80	L2	8711500642219
MASTER TL5 Circular 40W/827 1CT/10	A	10	fee relevant	12,20	L2	8711500642752
MASTER TL5 Circular 40W/830 1CT/10	A	10	fee relevant	12,20	L2	8711500640970
MASTER TL5 Circular 40W/840 1CT/10	A	10	fee relevant	12,20	L2	8711500642233
MASTER TL5 Circular 55W/830 1CT/10	A	10	fee relevant	13,60	L2	8711500642790
MASTER TL5 Circular 55W/840 1CT/10	A	10	fee relevant	13,60	L2	8711500642516
MASTER TL5 Circular 60W/830 1CT/10	A	10	fee relevant	13,60	L2	8711500642592
MASTER TL5 Circular 60W/840 1CT/10	A	10	fee relevant	13,60	L2	8711500642615

<sup>1</sup> Product fee relevant according local regulation

## MASTER TL-D Eco



## Simply energy saving

The MASTER TL-D Eco lamp offers the same light output as a MASTER TL-D Super 80 lamp, while using less energy, thanks to the use of specific phosphors and a special gas filling. Application areas are schools, offices, governmental buildings and healthcare environments.

## Benefits

- Simple lamp-for-lamp replacement for more than 10% energy savings
- Makes lighting installations compliant with latest indoor lighting standards
- Relatively high efficacy, both initially and during lifetime, with high lumen maintenance

## Features

- The only T8 fluorescent lamp that saves more than 10% of energy in existing luminaires with electromagnetic gear
- Lower power savings with electronic gear depending on type of gear (current- or power-controlled)
- Can be directly retrofitted into existing fluorescent fittings operating on electromagnetic or electronic gear in indoor applications
- Uses the latest highly efficient phosphors and special filling gas
- High-quality lighting with good color rendering (CRI > 80)
- Light output comparable to other TL-D Super 80 colors
- Lumen maintenance and lifetime the same as other TL-D Super 80 colors
- Dimmable

## Environment

- Allows easy switching to more energy-conscious solutions
- Helps reduce CO<sub>2</sub> emissions and meet climate change targets
- RoHS compliant
- Covered by WEEE

## Application

- For use in indoor applications with room temperatures above 20 °C (which implies temperature around the lamp of over 25 - 35 °C)
- Primary focus on offices, schools and hospitals; secondary focus on retail, industry, supermarkets
- Not recommended under the following conditions:
  - with air flow around the lamps
  - in luminaires with active air handling (lamp temperature will not be the required 25 - 35 °C, but room temperature)
  - in open luminaires/battens very close to air conditioning outlets or cold air flows
  - in space above freezers (temperature may easily drop below 20 °C)
  - in combination with VRUs (voltage reduction units)

## Warnings and Safety

- A lamp breaking is extremely unlikely to have any impact on your health. If a lamp breaks, ventilate the room for 30 minutes and remove the parts, preferably with gloves. Put them in a sealed plastic bag and take it to your local waste facilities for recycling. Do not use a vacuum cleaner.

mm	A		B		C	D
	max.	min.	max.	max.	max.	max.
1	589.8	594.5	596.9	604.0	28	28
2	1199.4	1204.1	1206.5	1213.6	28	28
3	1500.0	1504.7	1507.1	1514.2	28	28

## MASTER TL-D Eco G13

Power/Light source color	Colour Rendering Index	Correlated Color Temperature	Luminous Flux (Rated)	Luminous Efficacy (Rated)	Life to 10% Failures Preheat	Life to 50% Failures Preheat	mm	EAN-1
		(K)	(lm)	(lm/W)	(h)	(h)		
16W/830	>80	3,000	1,175	75	17,000	20,000	1	8711500268570
16W/840	>80	4,000	1,175	75	17,000	20,000	1	8711500268617
16W/865	>80	6,500	1,125	72	17,000	20,000	1	8711500268716
32W/830	>80	3,000	2,650	82	17,000	20,000	2	8711500264589
32W/840	>80	4,000	2,650	82	17,000	20,000	2	8711500264626
32W/865	>80	6,500	2,550	79	17,000	20,000	2	8711500264640
51W/830	>80	3,000	4,550	89	17,000	20,000	3	8711500264664
51W/840	>80	4,000	4,550	89	17,000	20,000	3	8711500264701
51W/865	>80	6,500	4,300	84	17,000	20,000	3	8711500264725

Commercial product name			National Lamp Fee <sup>1</sup>	Net Trade Price per Piece	National Discount Group	EAN-1
				(€ net)		
MASTER TL-D Eco 16W/830 SLV/25	A	25	fee relevant	4,30	L2	8711500268570
MASTER TL-D Eco 16W/840 SLV/25	A	25	fee relevant	4,30	L2	8711500268617
MASTER TL-D Eco 16W/865 SLV/25	A	25	fee relevant	4,30	L2	8711500268716
MASTER TL-D Eco 32W/830 SLV/25	A	25	fee relevant	5,09	L2	8711500264589
MASTER TL-D Eco 32W/840 SLV/25	A	25	fee relevant	5,09	L2	8711500264626
MASTER TL-D Eco 32W/865 SLV/25	A	25	fee relevant	5,09	L2	8711500264640
MASTER TL-D Eco 51W/830 SLV/25	A	25	fee relevant	5,30	L2	8711500264664
MASTER TL-D Eco 51W/840 1SL/25	A	25	fee relevant	5,30	L2	8711500264701
MASTER TL-D Eco 51W/865 SLV/25	A	25	fee relevant	5,30	L2	8711500264725

<sup>1</sup> Product fee relevant according local regulation

## MASTER TL-D Super 80



## Efficient fluorescent lighting with improved color rendering

The MASTER TL-D Super 80 lamp offers more lumens per watt and better color rendering than TL-D standard colors. Furthermore, it has a lower mercury content. The lamp can be operated in existing TL-D luminaires.

## Benefits

- Good color rendering
- Relatively high efficacy, both initially and during lamp lifetime, with high lumen maintenance
- Create atmospheres from warm white to cool daylight

## Features

- Highly efficient 3-band fluorescent coating
- High initial light output compared with standard colors
- Low mercury dose
- Can be used with conventional or electronic gear
- Higher efficacy is achieved with electronic gear

## Environment

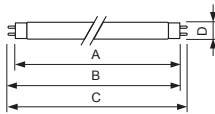
- Best environmental T8 choice because of TL-D /800 colors superior energy efficiency compared to TL-D Standard colors lamps
- RoHS compliant
- This product range is covered by WEEE

## Application

- Suitable for use in a wide range of luminaires for TL-D fluorescent lamps for 'human' applications such as schools, offices, shops, factory halls etc.

## Warnings and Safety



- A lamp breaking is extremely unlikely to have any impact on your health. If a lamp breaks, ventilate the room for 30 minutes and remove the parts, preferably with gloves. Put them in a sealed plastic bag and take it to your local waste facilities for recycling. Do not use a vacuum cleaner.



mm	A		B		C	D
	max.	min.	max.	max.	max.	max.
1	361.2	365.9	368.3	375.4	28	
2	437.4	442.1	444.5	451.6	28	
3	589.8	594.5	596.9	604.0	28	
4	970.0	974.7	977.1	984.2	28	
5	894.6	899.3	901.7	908.8	28	
6	1199.4	1204.1	1206.5	1213.6	28	
7	1047.0	1051.7	1054.1	1061.2	28	
8	1500.0	1504.7	1507.1	1514.2	28	
9	1763.8	1768.5	1770.9	1778.0	28	

## MASTER TL-D Super 80 G13

Power/Light source color	Colour Rendering Index	Correlated Color Temperature (K)	Luminous Flux (Rated) (lm)	Luminous Efficacy (Rated) (lm/W)	Life to 10% Failures Preheat (h)	Life to 50% Failures Preheat (h)	mm	EAN-1
14W/840	85	4,000	860	63.0	17,000	20,000	1	8711500953810
15W/827	>80	2,700	1,000	67.0	17,000	20,000	2	8711500702784
15W/830	>80	3,000	1,000	67.0	17,000	20,000	2	8711500702791
15W/840	>80	4,000	1,000	67.0	17,000	20,000	2	8711500702807
15W/865	>80	6,500	930	17,000	20,000	2	8727900917314	
18W/827	>80	2,700	1,350	75.0	17,000	20,000	3	8711500631626
18W/830	>80	3,000	1,350	75.0	17,000	20,000	3	8711500631657
18W/840	>80	4,000	1,350	75.0	17,000	20,000	3	8711500631718
18W/865	85	6,500	1,300	68.0	17,000	20,000	3	8711500631770
23W/830	>80	3,000	2,050	89.0	17,000	20,000	4	8711500558633
23W/840	>80	4,000	2,050	89.0	17,000	20,000	4	8711500558701
30W/827	>80	2,700	2,400	80.0	17,000	20,000	5	8711500631800
30W/830	>80	3,000	2,400	80.0	17,000	20,000	5	8711500631831
30W/840	>80	4,000	2,400	80.0	17,000	20,000	5	8711500631862
30W/865	80	6,500	2,300	76.7	17,000	20,000	5	8711500631893
36W/827	>80	2,700	3,350	93.0	17,000	20,000	6	8711500631923
36W/830	>80	3,000	3,100	86.0	17,000	20,000	4	8711500558749
36W/830	>80	3,000	3,350	93.0	17,000	20,000	6	8711500631954
36W/840	>80	4,000	3,100	86.0	17,000	20,000	4	8711500558770
36W/840	>80	4,000	3,350	93.0	17,000	20,000	6	8711500632012
36W/865	85	6,500	3,250	84.0	17,000	20,000	6	8711500632074
36W/865	>80	6,500	2,950	82.0	17,000	20,000	4	8727900917390
38W/830	>80	3,000	3,350	88.0	17,000	20,000	7	8711500558800
38W/840	>80	4,000	3,350	88.0	17,000	20,000	7	8711500558831
58W/827	>80	2,700	5,240	90.0	17,000	20,000	8	8711500632104
58W/830	>80	3,000	5,240	90.0	17,000	20,000	8	8711500632135
58W/840	>80	4,000	5,240	90.0	17,000	20,000	8	8711500632197
58W/865	85	6,500	5,000	81.0	17,000	20,000	8	8711500632258
70W/830	>80	3,000	6,200	89.0	17,000	20,000	9	8711500615985
70W/840	>80	4,000	6,200	89.0	17,000	20,000	9	8711500615923

Commercial product name			National Lamp Fee <sup>1</sup>	Net Trade Price per Piece (€ net)	National Discount Group	EAN - 1
MASTER TL-D Super 80 1m 36W/830 SLV/25	A	25	fee relevant	4,30	L2	8711500558749
MASTER TL-D Super 80 1m 36W/840 SLV/25	A	25	fee relevant	4,30	L2	8711500558770
MASTER TL-D Super 80 1m 36W/865 1SL/25	A	25	fee relevant	4,30	L2	8727900917390
MASTER TL-D Super 80 14W/840 SLV/25	B	25	fee relevant	4,30	L2	8711500953810
MASTER TL-D Super 80 15W/827 SLV/25	B	25	fee relevant	4,30	L2	8711500702784
MASTER TL-D Super 80 15W/830 SLV/25	B	25	fee relevant	4,30	L2	8711500702791
MASTER TL-D Super 80 15W/840 SLV/25	B	25	fee relevant	4,30	L2	8711500702807
MASTER TL-D Super 80 15W/865 1SL/25	B	25	fee relevant	4,30	L2	8727900917314
MASTER TL-D Super 80 18W/827 1SL/25	A	25	fee relevant	1,50	L2	8711500631626
MASTER TL-D Super 80 18W/830 1SL/25	A	25	fee relevant	1,50	L2	8711500631657
MASTER TL-D Super 80 18W/840 1SL/25	A	25	fee relevant	1,50	L2	8711500631718
MASTER TL-D Super 80 18W/865 1SL/25	A	25	fee relevant	1,50	L2	8711500631770
MASTER TL-D Super 80 23W/830 SLV/25	A	25	fee relevant	4,30	L2	8711500558633
MASTER TL-D Super 80 23W/840 SLV/25	A	25	fee relevant	4,30	L2	8711500558701
MASTER TL-D Super 80 30W/827 SLV/25	A	25	fee relevant	4,30	L2	8711500631800
MASTER TL-D Super 80 30W/830 1SL/25	A	25	fee relevant	4,30	L2	8711500631831
MASTER TL-D Super 80 30W/840 1SL/25	A	25	fee relevant	4,30	L2	8711500631862
MASTER TL-D Super 80 30W/865 SLV/25	A	25	fee relevant	4,30	L2	8711500631893
MASTER TL-D Super 80 36W/827 1SL/25	A	25	fee relevant	1,80	L2	8711500631923
MASTER TL-D Super 80 36W/830 1SL/25	A	25	fee relevant	1,80	L2	8711500631954
MASTER TL-D Super 80 36W/840 1SL/25	A	25	fee relevant	1,80	L2	8711500632012
MASTER TL-D Super 80 36W/865 1SL/25	A	25	fee relevant	1,80	L2	8711500632074
MASTER TL-D Super 80 38W/830 SLV/25	A	25	fee relevant	4,30	L2	8711500558800
MASTER TL-D Super 80 38W/840 SLV/25	A	25	fee relevant	4,30	L2	8711500558831
MASTER TL-D Super 80 58W/827 1SL/25	A	25	fee relevant	2,10	L2	8711500632104
MASTER TL-D Super 80 58W/830 1SL/25	A	25	fee relevant	2,10	L2	8711500632135
MASTER TL-D Super 80 58W/840 1SL/25	A	25	fee relevant	2,10	L2	8711500632197
MASTER TL-D Super 80 58W/865 1SL/25	A	25	fee relevant	2,10	L2	8711500632258
MASTER TL-D Super 80 70W/830 SLV/25	A	25	fee relevant	4,70	L2	8711500615985
MASTER TL-D Super 80 70W/840 SLV/25	A	25	fee relevant	4,70	L2	8711500615923

<sup>1</sup> Product fee relevant according local regulation


## PILA LF Super 80, T8





Tri-band phosphor fluorescent tube with 26 mm diameter (TL-D)

02

## LF80 G13

Lamp power (W)	Bulb Shape	Correlated Color Temperature (K)	Colour Rendering Index	Luminous Flux (Rated) (lm)	Rated Lifetime (h)		EAN-1
18	T8	3,000	85	1,350	18,000	yes	8727900015546
18	T8	4,000	85	1,350	18,000	yes	8727900961751
18	T8	5,000	85	1,215	18,000	yes	8727900015560
18	T8	6,500	85	1,215	18,000	yes	8727900015584
36	T8	3,000	85	3,350	18,000	yes	8727900015607
36	T8	4,000	85	3,350	18,000	yes	8727900961775
36	T8	5,000	85	3,015	18,000	yes	8727900015621
36	T8	6,500	85	3,015	18,000	yes	8727900015645
58	T8	3,000	85	5,220	18,000	yes	8727900015669
58	T8	4,000	85	5,220	18,000	yes	8727900961799
58	T8	5,000	85	4,700	18,000	yes	8727900015683
58	T8	6,500	85	4,700	18,000	yes	8727900015706

Commercial product name	 	National Lamp Fee <sup>1</sup>	Net Trade Price per Piece (€ net)	National Discount Group	EAN-1
LF 18W/830 Warm White	A 25	fee relevant	0.90	L5	8727900015546
LF 18W/840 Cool White	A 25	fee relevant	0.90	L5	8727900961751
LF 18W/850 Natural Daylight	B 25	fee relevant	0.90	L5	8727900015560
LF 18W/865 Cool Daylight	B 25	fee relevant	0.90	L5	8727900015584
LF 36W/830 Warm White	A 25	fee relevant	1.00	L5	8727900015607
LF 36W/840 Cool White	A 25	fee relevant	1.00	L5	8727900961775
LF 36W/850 Natural Daylight	A 25	fee relevant	1.00	L5	8727900015621
LF 36W/865 Cool Daylight	A 25	fee relevant	1.00	L5	8727900015645
LF 58W/830 Warm White	A 25	fee relevant	1.40	L5	8727900015669
LF 58W/840 Cool White	A 25	fee relevant	1.40	L5	8727900961799
LF 58W/850 Natural Daylight	A 25	fee relevant	1.40	L5	8727900015683
LF 58W/865 Cool Daylight	A 25	fee relevant	1.40	L5	8727900015706

<sup>1</sup> Product fee relevant according local regulation



## MASTER TL-D Secura

**Shatterfree fluorescent lighting**

This TL-D lamp has a protective coating that keeps glass and lamp components together in the event of accidental breakage. The lamp is easily identifiable by a blue ring at one end. Application areas are all places where glass shatters can disturb operations and can have an impact on product and people safety, e. g. the food and beverage industry. The lamp has a Teflon coating. It is compliant with HACCP regulations.

**Benefits**

- Special protective coating around the lamp prevents products from contamination in case of accidental lamp breakage, easily recognized in audit situation by one blue ring at one end
- The protective coating has a high temperature-resistance and no degradation to be expected under influence of temperature or UV within specified lamp life (50% failures @ 3 hrs switching cycle)
- Makes luminaires compliant with relevant standards in the industry, such as HACCP, ISO 22000 and IEC 61549

**Features**

- Protective coating (Surlyn) around the lamp, indicated by two blue rings at one lamp end. This lamp is NOT meant for application in closed luminaires
- Fully compliant with IEC 61549 - Fragment Retention Lamp Standard and with relevant standards in the food industry, such as HACCP and ISO 22000
- No degradation under influence of temperature or UV
- Coating blocks 90% of UV emission of the lamp

- Fully recyclable, including the protective lamp coating
- Relatively high efficacy, both initially and during lamp lifetime, with high lumen maintenance

**Environment**

- This product is RoHS compliant
- This product is covered by WEEE

**Application**

- For use where contamination resulting from lamp breakage must be prevented, e. g. in food preparation, health care, pharmaceuticals, cleanrooms etc.
- Suitable for use in environments with increased risk of breakage, e. g. sports halls
- Suitable for use in environments where UV emission should be reduced (museums, libraries, archives, food industry, fashion shops, etc.)

**Warnings and Safety**

- Not suitable for closed luminaires (as indicated by two blue rings)
- Recommended use in combination with self-stopping lamp control system
- A lamp breaking is extremely unlikely to have any impact on your health. If a lamp breaks, ventilate the room for 30 minutes and remove the parts, preferably with gloves. Put them in a sealed plastic bag and take it to your local waste facilities for recycling. Do not use a vacuum cleaner.
- In order to ensure the integrity of the coating, it is strongly recommended to replace Secura lamps before or at the moment the specified lamp life (50% failures @ 3 hrs switching cycle) is reached.

	A		B		C	D
	max.	min.	max.	max.	max.	max.
1	589.8	594.5	596.9	604.0	28	28
2	1199.4	1204.1	1206.5	1213.6	28	28
3	1500.0	1504.7	1507.1	1514.2	28	28

## MASTER TL-D Secura G13

Power/Light source color	Colour Rendering Index	Correlated Color Temperature	Luminous Flux (Rated)	Luminous Efficacy (Rated)	Life to 10% Failures Preheat	Life to 50% Failures Preheat	mm	EAN-1
18W/840	85	4,000	1,300	72.0	17,000	20,000	1	8711500640109
36W/840	85	4,000	3,200	89.0	17,000	20,000	2	8711500640147
58W/840	85	4,000	5,000	85.5	17,000	20,000	3	8711500640185

Commercial product name	Energy Class	National Lamp Fee <sup>1</sup>	Net Trade Price per Piece	National Discount Group	EAN-1
MASTER TL-D Secura 18W/840 SLV/25	A	25	fee relevant	L2	8711500640109
MASTER TL-D Secura 36W/840 SLV/25	A	25	fee relevant	L2	8711500640147
MASTER TL-D Secura 58W/840 SLV/25	A	25	fee relevant	L2	8711500640185

<sup>1</sup> Product fee relevant according local regulation

## MASTER TL-D Xtra



## Long life fluorescent lighting

This TL-D Xtra lamp offers a longer lifetime and guarantees fewer early failures. This results in low maintenance costs and saves on expensive spot replacement. It is therefore suitable for places where lamp replacement is expensive due to high ceilings or disturbance of operations. This lamp can be operated on existing gear or dedicated HF Xtreme gear.

## Benefits

- Longer lifetime results in lower maintenance costs, less waste and disposal costs at end-of-life
- Less hassle due to fewer early failures
- Facilitating the change from spot to group replacement

## Features

- Extra long lifetime; longest lifetime is achieved with specially designed Philips HF Xtreme gear
- End-cap has an x-shaped green bottom plate to distinguish the lamp from other fluorescent lamps
- Low mercury dose (3mg)

## Environment

- Good environmental choice because of long reliable life (190% better than T8 standard colors), low waste (only one lamp compared to three T8 standard colors)
- This product is RoHS compliant
- This product is covered by WEEE

## Application

- Suitable for use in applications where maintenance costs are high (high ceilings, difficult to reach): department stores, supermarkets, warehouses, production halls and public areas like car parks and railway stations

## Warnings and Safety

- To achieve published lifetimes for 100% operation, do not dim below 30%
- When used on electromagnetic gear, it is strongly recommended to apply only Philips S10 or S10E starters (for 18 W types S2 or S2E) to achieve the published lifetimes, and to install new starters when relamping.
- A lamp breaking is extremely unlikely to have any impact on your health. If a lamp breaks, ventilate the room for 30 minutes and remove the parts, preferably with gloves. Put them in a sealed plastic bag and take it to your local waste facilities for recycling. Do not use a vacuum cleaner.

mm	A		B		C	D
	max.	min.	max.	max.	max.	max.
1	589.8	594.5	596.9	604.0	28	28
2	1199.4	1204.1	1206.5	1213.6	28	28
3	1500.0	1504.7	1507.1	1514.2	28	28

## MASTER TL-D Xtra G13

Power/Light source color	Colour Rendering Index	Correlated Color Temperature	Luminous Flux (Rated)	Luminous Efficacy (Rated)	Life to 10% Failures Preheat	Life to 50% Failures Preheat	mm	EAN-1
		(K)	(lm)	(lm/W)	(h)	(h)		
18W/830	>80	3,000	1,350	76	46,500	55,000	1	8711500544988
18W/840	>80	4,000	1,350	76	46,500	55,000	1	8711500558626
37W/830	>80	3,000	3,350	93	47,000	55,000	2	8711500558718
37W/840	>80	4,000	3,350	93	47,000	55,000	2	8711500558763
58W/830	>80	3,000	5,200	91	47,000	55,000	3	8711500558886
58W/840	>80	4,000	5,200	91	47,000	55,000	3	8711500558909
58W/865	>80	6,500	5,000	86	47,000	55,000	3	8711500892850

Commercial product name	National Lamp Fee <sup>1</sup>	Net Trade Price per Piece	National Discount Group	EAN-1
		(€ net)		
Z MASTER TL-D Xtra 18W/830 SLV/25	A 25	fee relevant	L2	8711500544988
Z MASTER TL-D Xtra 18W/840 SLV/25	A 25	fee relevant	L2	8711500558626
Z MASTER TL-D Xtra 36W/830 SLV/25	A 25	fee relevant	L2	8711500558718
Z MASTER TL-D Xtra 36W/840 SLV/25	A 25	fee relevant	L2	8711500558763
Z MASTER TL-D Xtra 58W/830 SLV/25	A 25	fee relevant	L2	8711500558886
Z MASTER TL-D Xtra 58W/840 SLV/25	A 25	fee relevant	L2	8711500558909
Z MASTER TL-D Xtra 58W/865 SLV	A 25	fee relevant	L2	8711500892850

<sup>1</sup> Product fee relevant according local regulation

Z = available until stock lasts

## MASTER TL-D Xtreme



### Fit and Forget

This MASTER TL-D Xtreme lamp offers extremely long lifetime. This results in extra-low lamp cost over life. It is therefore suitable for places where lamp replacement is expensive, due to high ceilings or disturbance of operations, and applications with long burning cycles, e. g. tunnels, oil rigs, manufacturing lines. It can be operated on existing gear or dedicated HF Xtreme gear.

### Benefits

- Extremely long lifetime – up to 10 years of operation – results in lower maintenance costs, less waste and disposal costs at end-of-life
- Less hassle due to fewer early failures
- Facilitating the change from spot to group replacement

### Features

- Extremely long lifetime – up to 10 years operation; longest lifetime is achieved with special designed Philips HF Xtreme gear
- End-cap has an x-shaped green bottom plate to distinguish the lamp from other fluorescent lamps
- Low mercury dose (3 mg)

### Environment

- Good environmental choice because of long reliable life (300% better than T8 standard colors), low waste (only one lamp compared to four T8 standard colors)
- This product is RoHS compliant
- This product is covered by WEEE

### Application

- Suitable for use in applications where maintenance is expensive (high ceilings, difficult to reach) and disruptive (stopping of production process, closure of tunnels), or where lamp failure is unacceptable for e. g. safety reasons: tunnels, process, food and petrochemical industries

### Warnings and Safety

- To achieve published lifetimes for 100% operation, do not dim below 30%
- When used on electromagnetic gear, it is strongly recommended to apply only Philips S10 or S10E starters (for 18 W types S2 or S2E) to achieve the published lifetimes, and to install new starters when relamping.
- A lamp breaking is extremely unlikely to have any impact on your health. If a lamp breaks, ventilate the room for 30 minutes and remove the parts, preferably with gloves. Put them in a sealed plastic bag and take it to your local waste facilities for recycling. Do not use a vacuum cleaner.

mm	A		B		C	D
	max.	min.	max.	max.	max.	max.
1	589.8	594.5	596.9	604.0	28	28
2	1199.4	1204.1	1206.5	1213.6	28	28
3	1500.0	1504.7	1507.1	1514.2	28	28

## MASTER TL-D Xtreme G13

Power/Light source color	Colour Rendering Index	Correlated Color Temperature (K)	Luminous Flux (Rated) (lm)	Luminous Efficacy (Rated) (lm/W)	Life to 10% Failures Preheat (h)	Life to 50% Failures Preheat (h)	mm	EAN-1
18W/840	>80	4,000	1,350	76	66,000	79,000	1	8711500544964
36W/830	>80	3,000	3,250	90	66,000	79,000	2	8711500558664
36W/840	>80	4,000	3,250	90	66,000	79,000	2	8711500558688
36W/865	>80	6,500	3,150	88	66,000	79,000	2	8711500892775
58W/840	>80	4,000	5,150	88	66,000	79,000	3	8711500558862

Commercial product name			National Lamp Fee <sup>1</sup>	Net Trade Price per Piece (€ net)	National Discount Group	EAN-1
MASTER TL-D Xtreme 18W/840 SLV	A	25	fee relevant	14,91	L2	8711500544964
MASTER TL-D Xtreme 36W/830 SLV	A	25	fee relevant	14,91	L2	8711500558664
MASTER TL-D Xtreme 36W/840 SLV	A	25	fee relevant	14,91	L2	8711500558688
MASTER TL-D Xtreme 36W/865 SLV	A	25	fee relevant	14,91	L2	8711500892775
MASTER TL-D Xtreme 58W/840 SLV	A	25	fee relevant	16,30	L2	8711500558862

<sup>1</sup> Product fee relevant according local regulation

## MASTER TL-D Xtreme Secura



### Very long life, shatterfree fluorescent lighting

This TL-D Xtreme lamp has a protective coating that keeps glass and lamp components together in the event of accidental breakage. The lamp is easily identifiable by a blue ring at one end. Application areas are all places where glass shatters can disturb operations and can have an impact on product and people safety, e. g. the food and beverage industry. The lamp has a Teflon coating. It is compliant with HACCP regulations.

#### Benefits

- Special protective coating around the lamp prevents products from contamination in case of accidental lamp breakage, easily recognized in audit situation by one blue ring at one end
- The protective coating has a high temperature-resistance and no degradation to be expected under influence of temperature or UV within specified lamp life (50% failures @ 3 hrs switching cycle)
- Makes luminaires compliant with relevant standards in the industry, such as HACCP, ISO 22000 and IEC 61549

#### Features

- Protective coating (Teflon) around the lamp, indicated by one blue ring at one end
- Extremely long life and high reliability, identified by x-shaped end-cap to distinguish the lamp from other fluorescent lamps
- Recommended to use with electronic gear that allows higher efficacy and longer lifetime

- Use in open and closed luminaires possible (as indicated by one blue ring), due to strong, temperature-resistant coating

#### Environment

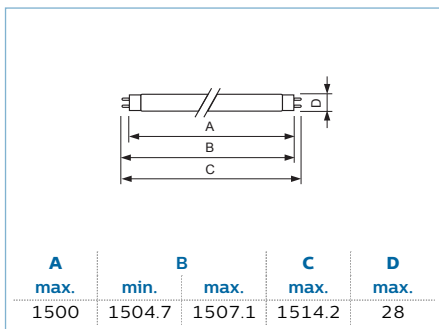
- Good environmental choice because of long reliable life (300% better than T8 standard colors), low waste (only one lamp compared to four T8 standard colors)
- This product is RoHS compliant
- This product is covered by WEEE

#### Application

- Food & beverages and pharmaceuticals industry: factories, distribution centres, retail outlets; locations where maintenance and/or process disruption costs are high (high ceilings, difficult access)

#### Warnings and Safety

- To achieve published lifetimes for 100% operation, do not dim below 30%
- When used on electromagnetic gear, it is strongly recommended to apply only Philips S10 or S10E starters (for 18 W types S2 or S2E) to achieve the published lifetimes, and to install new starters when relamping.
- A lamp breaking is extremely unlikely to have any impact on your health. If a lamp breaks, ventilate the room for 30 minutes and remove the parts, preferably with gloves. Put them in a sealed plastic bag and take it to your local waste facilities for recycling. Do not use a vacuum cleaner.
- In order to ensure the integrity of the coating, it is strongly recommended to replace Secura lamps before or at the moment the specified lamp life (50% failures @ 3 hrs switching cycle) is reached.



## MASTER TL-D Xtreme Secura G13

Power/Light source color	Colour Rendering Index	Correlated Color Temperature (K)	Luminous Flux (Rated) (lm)	Luminous Efficacy (Rated) (lm/W)	Life to 10% Failures Preheat (h)	Life to 50% Failures Preheat (h)	EAN-1
58W/840	>80	4,000	5,000	86	66,000	79,000	8711500889874

Commercial product name			National Lamp Fee <sup>1</sup>	Net Trade Price per Piece (€ net)	National Discount Group	EAN-1
Z MASTER TL-D Xtreme Secura 58W/840 SLV/25	A	25	fee relevant	32,20	L2	8711500889874

<sup>1</sup> Product fee relevant according local regulation

Z = available until stock lasts

## MASTER TL-D 90 De Luxe



mm	A		B		C	D
	max.	min.	max.	max.	max.	max.
1	589.8	594.5	596.9	604.0	28	28
2	1199.4	1204.1	1206.5	1213.6	28	28
3	1500.0	1504.7	1507.1	1514.2	28	28

## Seeing colors in a natural way

This TL-D lamp makes colors appear rich, deep and enhanced in a natural way. Thus very suitable for applications where a high color recognition is needed: first aid and treatment rooms in hospitals, printing rooms, jewelry, dentists, hairdressing, museums and shops

## Benefits

- Very good color rendering, making products appear more attractive and colors appear rich, deep and enhanced as they do in daylight
- Enabling customer to switch to improved color rendering properties with (almost) no decrease of light level
- Enabling customers (in certain segments) to respect the new European standard for lighting of indoor workplaces (CEN 12464-1), without investing in new luminaires

## Features

- High-quality fluorescent coating for improved color rendering

- Use of three-band phosphors for high efficacy
- Retrofit in current luminaires for standard TL-D lamps
- Available in various color designations

## Environment

- This product is RoHS compliant
- This product is covered by WEEE

## Application

- Used in applications where good color rendering is crucial, such as shops (flower, fashion, department, etc.), hairdresser, museums, hospitals, etc.

## Warnings and Safety

- A lamp breaking is extremely unlikely to have any impact on your health. If a lamp breaks, ventilate the room for 30 minutes and remove the parts, preferably with gloves. Put them in a sealed plastic bag and take it to your local waste facilities for recycling. Do not use a vacuum cleaner.

## MASTER TL-D 90 De Luxe G13

Power/Light source color	Colour Rendering Index	Correlated Color Temperature	Luminous Flux (Rated)	Luminous Efficacy (Rated)	Life to 10% Failures Preheat	Life to 50% Failures Preheat	mm	EAN-1
		(K)	(lm)	(lm/W)	(h)	(h)		
18W/930	91	3,000	1,200	66.7	17,000	20,000	1	8711500888372
18W/940	91	4,000	1,200	66.7	17,000	20,000	1	8711500888396
18W/950	92	5,300	1,150	63.9	17,000	20,000	1	8711500888433
18W/965	93	6,500	1,150	63.9	17,000	20,000	1	8711500888464
36W/930	91	3,000	2,800	77.8	17,000	20,000	2	8711500888563
36W/940	91	4,000	2,800	77.8	17,000	20,000	2	8711500888587
36W/950	92	5,300	2,800	77.8	17,000	20,000	2	8711500888600
36W/965	93	6,500	2,800	77.8	17,000	20,000	2	8711500888624
58W/930	91	3,000	4,350	74.4	17,000	20,000	3	8711500888679
58W/940	91	4,000	4,600	78.6	17,000	20,000	3	8711500888693
58W/950	92	5,300	4,550	77.8	17,000	20,000	3	8711500888716
58W/965	93	6,500	4,550	77.8	17,000	20,000	3	8711500888730

Commercial product name			National Lamp Fee <sup>1</sup>	Net Trade Price per Piece	National Discount Group	EAN-1
				(€ net)		
MASTER TL-D 90 De Luxe 18W/930 SLV/10	B	10	fee relevant	7,41	L2	8711500888372
MASTER TL-D 90 De Luxe 18W/940 SLV/10	B	10	fee relevant	7,41	L2	8711500888396
MASTER TL-D 90 De Luxe 18W/950 SLV/10	B	10	fee relevant	7,41	L2	8711500888433
MASTER TL-D 90 De Luxe 18W/965 SLV/10	B	10	fee relevant	7,41	L2	8711500888464
MASTER TL-D 90 De Luxe 36W/930 SLV/10	A	10	fee relevant	7,41	L2	8711500888563
MASTER TL-D 90 De Luxe 36W/940 SLV/10	A	10	fee relevant	7,41	L2	8711500888587
MASTER TL-D 90 De Luxe 36W/950 SLV/10	A	10	fee relevant	7,41	L2	8711500888600
MASTER TL-D 90 De Luxe 36W/965 SLV/10	A	10	fee relevant	7,41	L2	8711500888624
MASTER TL-D 90 De Luxe 58W/930 SLV/10	A	10	fee relevant	8,30	L2	8711500888679
MASTER TL-D 90 De Luxe 58W/940 SLV/10	A	10	fee relevant	8,30	L2	8711500888693
MASTER TL-D 90 De Luxe 58W/950 SLV/10	A	10	fee relevant	8,30	L2	8711500888716
MASTER TL-D 90 De Luxe 58W/965 SLV/10	A	10	fee relevant	8,30	L2	8711500888730

<sup>1</sup> Product fee relevant according local regulation



## MASTER TL-D 90 Graphica



## Seeing colors as they are

This TL-D lamp has excellent color rendering which makes it very suitable for the graphical and printing industry to check the quality of printed material.

## Benefits

- Making representation of colors extremely realistic
- Consistent with the strict standards for the graphical industry defined in standard EN 12464
- Enabling customer to switch to excellent color rendering properties with low decrease of light level

## Features

- High-quality fluorescent coating for excellent color rendering and very accurate color point

- Use of mix of three-band phosphors and halophosphates for high efficacy
- Retrofit in current luminaires for standard TL-D lamps

## Environment

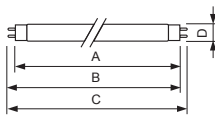
- This product is RoHS compliant
- This product is covered by WEEE

## Application

- Used in applications where excellent color rendering is crucial, such as the graphical industry, printing industry, photo shops, hospitals, etc.

## Warnings and Safety

- A lamp breaking is extremely unlikely to have any impact on your health. If a lamp breaks, ventilate the room for 30 minutes and remove the parts, preferably with gloves. Put them in a sealed plastic bag and take it to your local waste facilities for recycling. Do not use a vacuum cleaner.



mm	A		B		C	D
	max.	min.	max.	max.	max.	max.
1	589.8	594.5	596.9	604.0	28	28
2	1199.4	1204.1	1206.5	1213.6	28	28
3	1500.0	1504.7	1507.1	1514.2	28	28

## MASTER TL-D 90 Graphica G13

Power/Light source color	Colour Rendering Index	Correlated Color Temperature	Luminous Flux (Rated)	Luminous Efficacy (Rated)	Life to 10% Failures Preheat	Life to 50% Failures Preheat	mm	EAN-1
		(K)	(lm)	(lm/W)	(h)	(h)		
18W/950	95	5,300	990	52.8	7,000	10,000	1	8711500888501
18W/965	98	6,500	930	51.7	7,000	10,000	1	8711500888525
36W/950	95	5,300	2,330	65.0	7,000	10,000	2	8711500888648
36W/965	98	6,500	2,100	58.3	7,000	10,000	2	8711500888365
58W/950	95	5,300	3,750	62.7	7,000	10,000	3	8711500888754
58W/965	98	6,500	3,350	57.3	7,000	10,000	3	8711500888778

Commercial product name		National Lamp Fee <sup>1</sup>	Net Trade Price per Piece	National Discount Group	EAN-1
			(€ net)		
MASTER TL-D 90 Graphica 18W/950 SLV/10	B 10	fee relevant	8,91	L2	8711500888501
MASTER TL-D 90 Graphica 18W/965 SLV/10	B 10	fee relevant	8,91	L2	8711500888525
MASTER TL-D 90 Graphica 36W/950 SLV/10	B 10	fee relevant	8,91	L2	8711500888648
MASTER TL-D 90 Graphica 36W/965 SLV/10	B 10	fee relevant	8,91	L2	8711500888365
MASTER TL-D 90 Graphica 58W/950 SLV/10	B 10	fee relevant	10,20	L2	8711500888754
MASTER TL-D 90 Graphica 58W/965 SLV/10	B 10	fee relevant	10,20	L2	8711500888778

<sup>1</sup> Product fee relevant according local regulation

## MASTER TL-D Food

**For fresh looking food**

The TL-D Food lamp makes the appearance of meat and bakery products more fresh and tasty. It can be applied for food illumination in butcher shops, bakeries, supermarkets etc.

**Benefits**

- Makes the appearance of meat products and poultry more tasty

**Features**

- Spectral distribution optimal tuned to emphasize deep red colors such as those of meat and poultry

**Environment**

- This product is RoHS compliant
- This product is covered by WEEE

**Application**

- Food illumination (butcher shops, bakeries, supermarkets etc.)

**Warnings and Safety**

- A lamp breaking is extremely unlikely to have any impact on your health. If a lamp breaks, ventilate the room for 30 minutes and remove the parts, preferably with gloves. Put them in a sealed plastic bag and take it to your local waste facilities for recycling. Do not use a vacuum cleaner.

	A		B		C	D
	max.	min.	max.	max.	max.	max.
1	589.8	594.5	596.9	604.0	28	28
2	894.6	899.3	901.7	908.8	28	28
3	1199.4	1204.1	1206.5	1213.6	28	28
4	1500.0	1504.7	1507.1	1514.2	28	28

## MASTER TL-D Food G13

Lamp power/Light source color	Colour Rendering Index	Correlated Color Temperature (K)	Luminous Efficacy (Rated) (lm/W)	Life to 50% Failures Preheat (h)	mm	EAN-1
18W/79	74	3,800	41	20,000	1	8711500706218
30W/79	74	3,800	43	20,000	2	8711500706249
36W/79	74	3,800	49	20,000	3	8711500706225
58.5W/79	74	3,800	48	20,000	4	8711500706232

Commercial product name			National Lamp Fee <sup>1</sup>	Net Trade Price per Piece (€ net)	National Discount Group	EAN-1
MASTER TL-D Food 18W/79 SLV/25	B	25	fee relevant	9,70	L2	8711500706218
MASTER TL-D Food 30W/79 SLV/25	B	25	fee relevant	9,70	L2	8711500706249
MASTER TL-D Food 36W/79 SLV/25	B	25	fee relevant	9,70	L2	8711500706225
MASTER TL-D Food 58W/79 SLV/25	B	25	fee relevant	11,30	L2	8711500706232

<sup>1</sup> Product fee relevant according local regulation

## TL-D Colored



### Yellow, Red, Green and Blue fluorescent lighting

This TL-D lamp (tube diameter 26 mm) helps to create special effects and atmospheres or attract attention by using red, green, blue and yellow light. Apart from using the specific colors, it is also possible to mix the colors to create white light. This lamp offers a high light output, thanks to the use of basic powders. Application areas include shops and show-rooms, bars and restaurants, demonstration areas, sign lighting and entertainment stores.

#### Benefits

- Choice of attractive colors

#### Features

- The fluorescent powders of Red and Yellow lamps are mixed with a pigment to filter out unwanted wavelengths

- Can be used with conventional or electronic gear
- Depending on the control gear, dimming is possible

#### Application

- For color effects in stage lighting, shop-window lighting, festive lighting, bars, dance halls etc.

#### Warnings and Safety

- A lamp breaking is extremely unlikely to have any impact on your health. If a lamp breaks, ventilate the room for 30 minutes and remove the parts, preferably with gloves. Put them in a sealed plastic bag and take it to your local waste facilities for recycling. Do not use a vacuum cleaner.

	A		B		C	D
	max.	min.	max.	max.	max.	max.
1	589.8	594.5	596.9	604.0	28	28
2	1199.4	1204.1	1206.5	1213.6	28	28
3	1500.0	1504.7	1507.1	1514.2	28	28

## TL-D Colored G13

Power/Light source color	Color Designation	Luminous Flux (Rated) (lm)	Life to 50% Failures (h)	mm	EAN-1
18W/150	Red (HO)	25	15,000	1	8711500726841
18W/160	Yellow	700	15,000	1	8711500726872
18W/170	Green (G)	1,800	15,000	1	8711500642981
18W/180	Blue (B)	400	15,000	1	8711500726902
36W/150	Red (HO)	55	15,000	2	8711500727480
36W/160	Yellow	1,580	15,000	2	8711500727510
36W/170	Green (G)	4,300	15,000	2	8711500643001
36W/180	Blue (B)	960	15,000	2	8711500727541
58W/150	Red (HO)	75	15,000	3	8711500954459
58W/160	Yellow	2,250	15,000	3	8711500954473
58W/170	Green (G)	6,750	15,000	3	8711500954497
58W/180	Blue (B)	1,600	15,000	3	8711500954510

Commercial product name		National Lamp Fee <sup>1</sup>	Net Trade Price per Piece (€ net)	National Discount Group	EAN-1
TL-D Colored 18W Blue 1SL/25	C 25	fee relevant	9,50	L2	8711500726902
TL-D Colored 18W Green 1SL/25	A+ 25	fee relevant	9,50	L2	8711500642981
TL-D Colored 18W Red 1SL/25	E 25	fee relevant	10,20	L2	8711500726841
TL-D Colored 18W Yellow 1SL/25	B 25	fee relevant	10,20	L2	8711500726872
TL-D Colored 36W Blue 1SL/25	C 25	fee relevant	10,20	L2	8711500727541
TL-D Colored 36W Green 1SL/25	A+ 25	fee relevant	10,20	L2	8711500643001
TL-D Colored 36W Red 1SL/25	E 25	fee relevant	11,80	L2	8711500727480
TL-D Colored 36W Yellow 1SL/25	B 25	fee relevant	11,80	L2	8711500727510
TL-D Colored 58W Blue 1SL/25	C 25	fee relevant	11,80	L2	8711500954510
TL-D Colored 58W Green 1SL/25	A+ 25	fee relevant	11,80	L2	8711500954497
TL-D Colored 58W Red 1SL/25	E 25	fee relevant	13,80	L2	8711500954459
TL-D Colored 58W Yellow 1SL/25	B 25	fee relevant	13,80	L2	8711500954473

<sup>1</sup> Product fee relevant according local regulation

## MASTER TL-E Circular Super 80



### Circular shaped fluorescent lighting with improved color rendering

This circular TL lamp (tube diameter 29 mm) enables omni-directional light distribution. It is suitable for use in a wide range of luminaires for various purposes, including decorative ones, in 'human' applications such as schools, offices, shops and homes, and for lighting of residential areas.

#### Benefits

- /80 colors have good color rendering and high efficacy compared with standard colors
- Symmetrical, omnidirectional light distribution
- Create atmospheres from warm white to cool daylight

#### Features

- Available in various color designations

#### Application

- Suitable for use in a wide range of luminaires for various purposes, including decorative luminaires
- Ideal for 'human' applications such as schools, offices, shops and homes

#### Warnings and Safety

- A lamp breaking is extremely unlikely to have any impact on your health. If a lamp breaks, ventilate the room for 30 minutes and remove the parts, preferably with gloves. Put them in a sealed plastic bag and take it to your local waste facilities for recycling. Do not use a vacuum cleaner.

	D		E		I	
	min.	max.	min.	max.	min.	max.
1	26.2	30.9	205.0	213.5	149.1	155.6
2	27.1	30.9	299.0	303.5	241.0	246.0
3			299.0	303.5	241.0	246.0
4	27.1	30.9	393.7	406.4	341.0	347.7

## MASTER TL-E Circular Super 80 G10Q

Lamp power/Light source color	Colour Rendering Index	Correlated Color Temperature (K)	Luminous Flux (Rated) (lm)	Luminous Efficacy (Rated) (lm/W)	Life to 50% Failures (h)	mm	EAN-1
22W/840	80	4,000	1,285	59	13,000	1	8727900840506
22W/865	80	6,500	1,250	57	13,000	1	8727900840537
32W/830	80	3,000	2,375	74	13,000	2	8711500559678
32W/840	80	4,000	2,375	74	13,000	2	8711500559685
32W/865	80	6,500	2,310	72	13,000	3	8727900840551
40W/830	80	3,000	3,200	80	13,000	4	8711500284761
40W/840	80	4,000	3,200	80	13,000	4	8711500284747
40W/865	80	6,500	3,070	78	13,000	4	8727900840575

Commercial product name		National Lamp Fee <sup>1</sup>	Net Trade Price per Piece (€ net)	National Discount Group	EAN-1
TL-E 22W/840 1CT/12	B 12	fee relevant	5,30	L2	8727900840506
TL-E 22W/865 1CT/12	B 12	fee relevant	5,30	L2	8727900840537
TL-E 32W/830 1CT/12	A 12	fee relevant	5,30	L2	8711500559678
TL-E 32W/840 1CT/12	A 12	fee relevant	5,30	L2	8711500559685
TL-E 32W/865 1CT/12	A 12	fee relevant	5,30	L2	8727900840551
TL-E 40W/830 1CT/12	A 12	fee relevant	5,30	L2	8711500284761
TL-E 40W/840 1CT/12	A 12	fee relevant	5,30	L2	8711500284747
TL-E 40W/865 1CT/12	A 12	fee relevant	5,30	L2	8727900840575

<sup>1</sup> Product fee relevant according local regulation

## TL-M Rapid Start Standard Colours

**T12 lamp for reliable ignition**

The TL-M RS (Rapid Start) lamp (tube diameter 38 mm) has an external silicon coating and an external ignition strip. It is suitable for situations where low temperatures and high humidity require fast and stable ignition but color rendering is not important. Rapid Start lamps can be ignited without a starter.

**Benefits**

- Well-defined ignition for fast, easy ignition at low temperatures

**Features**

- RS (Rapid Start) lamps with an external silicon coating

- External ignition strip connected via a high-ohmic resistor to one of the electrodes
- Available in standard colors and varying color designations

**Application**

- Standard colors are mostly used in applications where color rendering is not an important factor

**Warnings and Safety**

- A lamp breaking is extremely unlikely to have any impact on your health. If a lamp breaks, ventilate the room for 30 minutes and remove the parts, preferably with gloves. Put them in a sealed plastic bag and take it to your local waste facilities for recycling. Do not use a vacuum cleaner.

mm	A		B		C	D
	max.	min.	max.	max.	max.	max.
1	589.8	594.5	596.9	604.0	40.5	
2	1199.4	1204.1	1206.5	1213.6	40.5	
3	1500.0	1504.7	1507.1	1514.2	40.5	

## TL-M RS G13

Lamp power/Light source color	Colour Rendering Index	Correlated Color Temperature (K)	Luminous Efficacy (Rated) (lm/W)	Life to 50% Failures (h)	mm	EAN-1
19.3W/33-640	63	4,100	62	13,000	1	8711500723727
39.5W/33-640	63	4,100	72	13,000	2	8711500724298
39.5W/54-765	72	6,200	63	13,000	2	8711500724410
64W/33-640	63	4,100	74	13,000	3	8711500724861

Commercial product name		National Lamp Fee <sup>1</sup>	Net Trade Price per Piece (€ net)	National Discount Group	EAN-1
TL-M RS 20W/33-640 SLV/25	B 25	fee relevant	9,70	L2	8711500723727
TL-M RS 40W/33-640 SLV/25	A 25	fee relevant	9,70	L2	8711500724298
TL-M RS 40W/54-765 1SL/25	B 25	fee relevant	9,70	L2	8711500724410
TL-M RS 65W/33-640 1SL/25	A 25	fee relevant	9,70	L2	8711500724861

<sup>1</sup> Product fee relevant according local regulation



## TL-X XL



### Long life T12 lamp for explosion free environments

The TL-X XL lamp (tube diameter 38 mm) has an extended lifetime and is fitted with an internal ignition strip for electromagnetic starterless operation or high-frequency non-preheat operation. In combination with a special lampholder, all possible sparking effects during ignition are eliminated. This lamp is used in flameproof and increased-safety luminaires for both indoor and outdoor applications, such as the (petro-)chemical industry, offshore, mines and any location where traces of explosive gases may be found.

#### Benefits

- In combination with a special lampholder all possible sparking effects during ignition are eliminated
- Extended lifetime compared with standard TL lamps

#### Features

- Provided with internal ignition strip for EM starterless operation or HF Non-preheat operation
- Special Fa6 lamp cap has a long and thick pin, requiring a special lampholder

#### Application

- Used in flameproof and increased-safety luminaires for both indoor and outdoor applications
- Used in applications like (petro-)chemical industry, offshore, mines and any locations where traces of explosive gases may be found



#### Warnings and Safety

- A lamp breaking is extremely unlikely to have any impact on your health. If a lamp breaks, ventilate the room for 30 minutes and remove the parts, preferably with gloves. Put them in a sealed plastic bag and take it to your local waste facilities for recycling. Do not use a vacuum cleaner.

mm	A		B		C	D
	max.	min.	max.	max.		
1	574.0	589.0	592.5	611.0	611.0	40.5
2	1183.5	1198.5	1202.0	1220.5	1220.5	40.5

### TL-X XL FA6

Lamp power/Light source color	Colour Rendering Index	Correlated Color Temperature (K)	Luminous Efficacy (Rated) (lm/W)	Life to 50% Failures (h)	mm	EAN-1
20W/33-640	63	4,100	47	26,000	1	8711500261359
39W/33-640	63	4,100	58	26,000	2	8711500261373

Commercial product name	 	National Lamp Fee <sup>1</sup>	Net Trade Price per Piece (€ net)	National Discount Group	EAN-1
TL-X XL 20W/33-640 SLV/25	B 25	fee relevant	22,90	L2	8711500261359
TL-X XL 40W/33-640 SLV/25	B 25	fee relevant	22,90	L2	8711500261373

<sup>1</sup> Product fee relevant according local regulation

## MASTER TL Mini Super 80



### Small size fluorescent lamp with improved light quality

This TL Miniature lamp (tube diameter 16 mm) is a lamp with small dimensions, which enables system miniaturization and offers the possibility of operation on low-voltage DC supply. It is ideal for applications where better color rendering and efficacy (than standard colors) are required and where space is limited, e. g. halls, staircase lighting in apartment buildings, built into furniture, mirror and cupboard lighting, signage and emergency lighting.

#### Benefits

- Good color rendering
- High efficacy, both initially and during lamp lifetime, with high lumen maintenance compared with standard lamps
- Small lamp dimensions enables system miniaturization

#### Features

- Small diameter tubes
- Highly efficient 3-band fluorescent coating
- Possibility for operation on low-voltage DC supply

#### Environment

- Best environmental choice because of highest energy efficiency available for fluorescent lighting. Lowest CO<sub>2</sub> emission compared to any other comparable lightsource. 100% lead free
- This product range is RoHS compliant per 1-1-2006
- This product range is covered by WEEE

#### Application

- Ideal for applications where space is limited and requiring better color rendering and efficacy than standard colors, i. e. : hall and staircase lighting in apartment buildings, built into furniture, mirror and cupboard lighting, emergency lighting

#### Warnings and Safety

- A lamp breaking is extremely unlikely to have any impact on your health. If a lamp breaks, ventilate the room for 30 minutes and remove the parts, preferably with gloves. Put them in a sealed plastic bag and take it to your local waste facilities for recycling. Do not use a vacuum cleaner.

mm	A		B		C	D
	max.	min.	max.	max.	max.	max.
1	288.3	293.0	295.4	302.5	16	16
2	516.9	521.6	524.0	531.1	16	16

## MASTER TL Mini Super 80 G5

Lamp power/Light source color	Colour Rendering Index	Correlated Color Temperature	Luminous Efficacy (Rated)	Life to 10% Failures Preheat	Life to 50% Failures Preheat	mm	EAN - 1
		(K)	(lm/W)	(h)	(h)		
7.1W/827	82	2,700	59	5,000	10,000	1	8711500704740
7.1W/830	85	3,000	59	5,000	10,000	1	8711500716385
7.1W/840	85	4,000	59	5,000	10,000	1	8711500716422
13W/827	82	2,700	77	4,000	8,000	2	8711500704764
13W/830	85	3,000	77	4,000	8,000	2	8711500716811
13W/840	85	4,000	77	4,000	8,000	2	8711500716859

Commercial product name		National Lamp Fee <sup>1</sup>	Net Trade Price per Piece	National Discount Group	EAN - 1
			(€ net)		
MASTER TL Mini Super 80 8W/827 FAM/10X25BOX	A 250	fee relevant	2,59	L2	8711500704740
MASTER TL Mini Super 80 8W/830 FAM/10X25BOX	A 250	fee relevant	2,59	L2	8711500716385
MASTER TL Mini Super 80 8W/840 FAM/10X25BOX	A 250	fee relevant	2,59	L2	8711500716422
MASTER TL Mini Super 80 13W/827 FAM/10X25BOX	A 250	fee relevant	2,59	L2	8711500704764
MASTER TL Mini Super 80 13W/830 FAM/10X25BOX	A 250	fee relevant	2,59	L2	8711500716811
MASTER TL Mini Super 80 13W/840 FAM/10X25BOX	A 250	fee relevant	2,59	L2	8711500716859

<sup>1</sup> Product fee relevant according local regulation

## TL Mini Standard Colours



## Small size fluorescent lamp

This TL Miniature lamp (tube diameter 16 mm) is a lamp with small dimensions, which enables system miniaturization and offers the possibility of operation on low-voltage DC supply. It is ideal for applications where space is limited but where color rendering and efficacy are not the most important factors, such as orientation, signage and emergency lighting.

## Benefits

- Creates atmospheres from warm white to cool daylight

## Features

- 16 mm diameter tubes with moderate color rendering

## Application

- Ideal for applications where space is limited and color rendering is not important
- Orientation lighting
- Emergency lighting

## System

- Possibility for operation on low-voltage DC supply

## Warnings and Safety

- A lamp breaking is extremely unlikely to have any impact on your health. If a lamp breaks, ventilate the room for 30 minutes and remove the parts, preferably with gloves. Put them in a sealed plastic bag and take it to your local waste facilities for recycling. Do not use a vacuum cleaner.

mm	A		B		C	D
	max.	min.	max.	max.	max.	max.
1	135.9	140.6	143.0	150.1	16	16
2	212.1	216.8	219.2	226.3	16	16
3	288.3	293.0	295.4	302.5	16	16
4	516.9	521.6	524.0	531.1	16	16

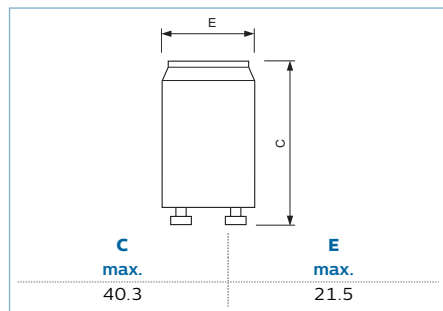
## TL Mini G5

Lamp power/Light source color	Colour Rendering Index	Correlated Color Temperature (K)	Luminous Efficacy (Rated) (lm/W)	Life to 10% Failures Preheat (h)	Life to 50% Failures Preheat (h)	mm	EAN - 1
4W/33-640	60	4,100	35	5,000	10,000	1	8711500615688
6W/33-640	60	4,100	43	5,000	10,000	2	8711500715838
7.1W/33-640	60	4,100	51	5,000	10,000	3	8711500704733
7.1W/54-765	75	6,200	48	5,000	10,000	3	8711500716286
13W/33-640	60	4,100	71	4,000	8,000	4	8711500704757
13W/54-765	75	6,200	57	4,000	8,000	4	8711500716712

Commercial product name			National Lamp Fee <sup>1</sup>	Net Trade Price per Piece (€ net)	National Discount Group	EAN - 1
TL Mini 4W/33-640 FAM/10X25BOX	B	250	fee relevant	1,90	L2	8711500615688
TL Mini 6W/33-640 FAM/10X25BOX	B	250	fee relevant	1,90	L2	8711500715838
TL Mini 8W/33-640 FAM/10X25BOX	A	250	fee relevant	1,90	L2	8711500704733
TL Mini 8W/54-765 FAM/10X25BOX	A	250	fee relevant	1,90	L2	8711500716286
TL Mini 13W/33-640 FAM/10X25BOX	A	250	fee relevant	1,90	L2	8711500704757
TL Mini 13W/54-765 FAM/10X25BOX	A	250	fee relevant	1,90	L2	8711500716712

<sup>1</sup> Product fee relevant according local regulation

## Ecoclick Starters



### Product Description

Range of premium-quality glow switch starters for igniting fluorescent lamps with electromagnetic ballast.

#### Benefits

- The only starter that offers fast, easy installation with no need to use any extra tools
- No irritation – even firmly stuck starters can be removed easily
- Eco-friendly, recyclable concept (free of lead and radioactivity)
- More than 25% longer lamp life; lower maintenance costs compared with lower-quality, non-IEC-compliant starters
- Optimal connectivity through brass components and oxidation-resistant brass pins
- Flame-retardant components and UV-resistant canister for additional safety and secure ignition (validated by Underwriters Laboratories UL)

#### Features

- Redesigned canister top with two installation notches into which the pins of another starter fit perfectly (patented innovation)

- Radioactive-free (patented) and lead-free (RoHS-compliant)
- Premium reliability with more than 10,000 safe switches
- 2-pin igniter in plastic (flame-retardant polycarbonate) canister with high-quality radio-interference suppression capacitor
- Well-defined preheat and peak voltage ensure proper ignition

#### Application

- Ignition of fluorescent lamps of all brands with conventional electromagnetic ballasts using TL-D (T8), TL (T12), TL mini and PL-L lamps
- S2 starters are suitable for 110/130 V 4-22 W single applications, 220/240 V 4-6-8-15-18-22 W single applications and 220/240 V 4-22 W series applications. It is recommended for 220/240 V 18 W single applications for optimal performance
- S10 starters are suitable for 220/240 V 13-4-65 W single applications. It is required for 220/240 V 13 W single applications

#### System

- Starter replacement recommended when replacing fluorescent lamps

Type	Lamp power (W)	Housing Color	Lamp system description	Voltage (V)	Capacitor	EAN-1
S2	4-22	White	Series	220-240	Yes	8711500697509
S10	4-65	White	Single	220-240	Yes	8711500697691

Commercial product name		Net Trade Price per Piece (€ net)	National Discount Group	EAN-1
S2 4-22W SER 220-240V WH EUR/12X25CT	300	0,40	L3	8711500697509
S10 4-65W SIN 220-240V WH EUR/12X25CT	300	0,30	L3	8711500697691

## Solution Starters



### Product Description

Premium quality glow switch starter for igniting conventional electromagnetic fluorescent lamps in arctic conditions

#### Benefits

- The only glow switch starter that can be used in extremely cold conditions
- Contributes to a green environment through elimination of radioactivity and lead (compliant with European legislation)
- Flame-retardant components and UV-resistant canister for additional safety and secure ignition
- Redesigned canister top for easy recognition, installation & replacement

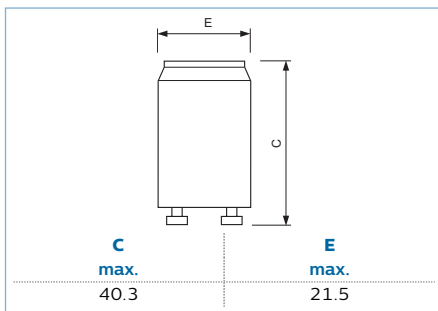
#### Features

- Fluorescent starter for low temperature applications (-40 to +75 °C)

- Free of radioactive material (patented technology) and lead (RoHS-compliant)
- 2-pin igniter in plastic (flame-retardant polycarbonate) canister with radio-interference suppression capacitor
- Premium reliability with less than 100 early failures per million products (<100 ppm) and > 6,000 safe switches guaranteed at -40 °C (IEC compliant)
- Narrowed top with notch for easy installation
- CE and ENEC05 kitemarks

#### Application

- Fluorescent lamp systems with conventional electromagnetic ballast using TLD (T8) and TL (T12) lamps and operating under extremely cold conditions
- P10 starter suitable for 220/240 V, 18-65 W single applications
- Starter replacement recommended when replacing fluorescent lamps



Type	Lamp power (W)	Housing Color	Lamp system description	Voltage (V)	Capacitor	EAN-1
P10	18-65	Blue	Single	220-240	Yes	8711500902344
Commercial product name			Net Trade Price per Piece	National Discount Group		EAN-1
P10 18-65W SIN 220-240V BL/4X25CT		100	(€ net) 3,10	L3		8711500902344

## Safety & Comfort Starters



### Product Description

Range of premium quality electronic starters for igniting fluorescent lamps operating on conventional electromagnetic ballast.

#### Benefits

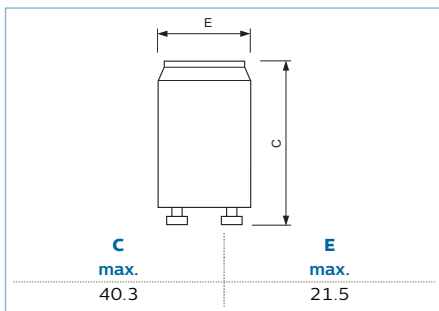
- Lower cost of lighting ownership: - Electronic starters turn-off lamps at end-of-life, which avoids irritation (no flickering), useless electricity consumption and fire risk. / - Lamps last much longer thanks to a totally smooth, flicker-free and fast starting. / - Longer starter service life compared to conventional starters.
- Contribution to a green environment (no lead and no radioactivity)
- Flame-retardant components & UV-resistant canister lead to additional safety and a secure ignition
- Easy recognition & installation and replacement friendly

#### Features

- Full thermal safety monitor which cuts off defective or end-of-life lamps
- Instant flicker-free ignition (nom. 2.3 sec)
- Cut-off circuit to protect the starter and overheating of the control gear
- Premium reliability with 100.000 safe switches
- Radioactive-free (patented) and lead-free (RoHS-compliant)
- 2-pin igniter in plastic (flame-retardant polycarbonate) canister
- Narrowed top & installation notch

#### Application

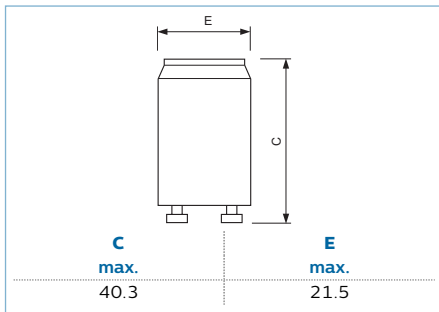
- Starters are used in conventional electromagnetic fluorescent lamp systems using TL-D (T8), TL (T12), TL mini, PL-S and PL-L lamps.



Type	Lamp power (W)	Housing Color	Lamp system description	Voltage (V)	Capacitor	EAN-1
S10E	18-75	Blue	Single	220-240	No	8711500764973
Commercial product name			Net Trade Price per Piece	National Discount Group	EAN-1	
S10E 18-75W SIN 220-240V BL/20X25CT			(€ net) 4,50	L3	8711500764973	



## Green Starters



## Product Description

Range of glow switches for igniting fluorescent lamps with electromagnetic gear 2-pin ignitor in plastic (flame-retardant polycarbonate) canister and radio-interference suppression capacitor

## Benefits

- Premium quality ensures trouble-free operation; extremely low early replacements reduce maintenance costs
- The world's only starters which are radioactive free and lead free, avoiding hazardous substances in manufacturing and recycling. Philips 'Green Flagship Award' for outperforming competitors
- Safe end-of-life behaviour prevents safety issues
- Redesigned canister top with a special notch; easy to install and replace with a screwdriver or with improved grip reducing installation time and cost
- Flame-retardant components for additional security
- Easily distinguished from counterfeit starters by specific shape with narrowed top, embossed range information and indented pins (patent-protected design)
- UV-resistant canister protects against unsafe conditions

## Features

- Premium reliability with less than 100 early failures per million products (<100 ppm)
- Premium reliability with 10,000 switches guaranteed


- No hazardous radioactive isotopes used for activating the glow switch
- Lead-free and compliant with European RoHS legislation (Reduction of Hazardous Substances)
- Secure, safe and fast ignition on both inductive (L) and capacitive (LC) lighting systems acc. to IEC 60155
- Controlled preheating of the lamp filaments and sufficient pulse voltage for longer lamp life (>25% compared with cheap starters)
- Canister shape designed for a better grip while installing and replacing the starter
- Green insulation plate to identify these lead-free and radioactive-free environment-friendly starters
- Different green printing for visual distinction between S2 and S10 (S2 = light green / S10 = dark green)

## Application

- Ignition of fluorescent lamps of all brands with conventional electromagnetic ballasts using TL-D (T8), TL (T12), TL mini and PL-L lamps
- S2 starters are suitable for 110/130 V 4-22 W single applications, 220/240 V 4-6-8-15-18-22 W single applications and 220/240 V 4-22 W series applications. It is recommended for 220/240 V 18 W single applications for optimal performance
- S10 starters are suitable for 220/240 V 13, 4-65 W single applications. It is required for 220/240 V 13 W single applications

## System

- Starter replacement recommended when replacing fluorescent lamps

Type	Lamp power (W)	Housing Color	Lamp system description	Voltage (V)	Capacitor
S10	4-65	White	Single	220-240	Yes
Commercial product name			Net Trade Price per Piece	National Discount Group	
S10 4-65W SIN 220-240V WH 2BC/10			(€ net) 0,70	L3	

## Starters for tanning lamps



### Philips tanning starters: a complete range of easy-to-install eco-friendly starters for tanning lamps operating on a conventional electromagnetic ballast

Range of premium-quality starters for igniting fluorescent lamps operating on electromagnetic ballasts

#### Benefits

- Easy to install (click and switch)
- Safe ignition
- Eco-friendly

#### Features

- Narrowed starter shape and two extra notches (patented innovation)
- Flame-retardant components and UV-resistant canister
- Lead-free, and no radioactive substances

#### Environment

- No radioactive substances
- No lead

#### Application

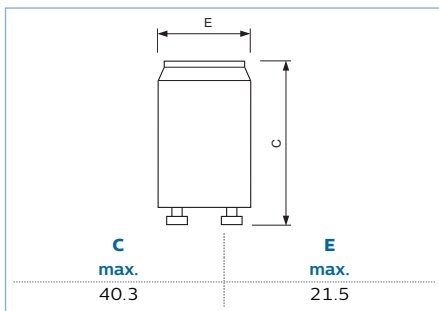
- Ignite fluorescent lamps (all brands) operating on a conventional electromagnetic ballast.
- Bodytone Starter 25-100 W - 220-240 V, 25-100 W, Single application
- Bodytone Starter 120-180 W - 220-240 V, 120-180 W, Single application
- S12 Bodytone Starter 115-140 W - 220-240 V, 115-140 W, Single application
- S16 Starter 220-240, 70, 75, 85, 100, 125 W, Single application

#### System

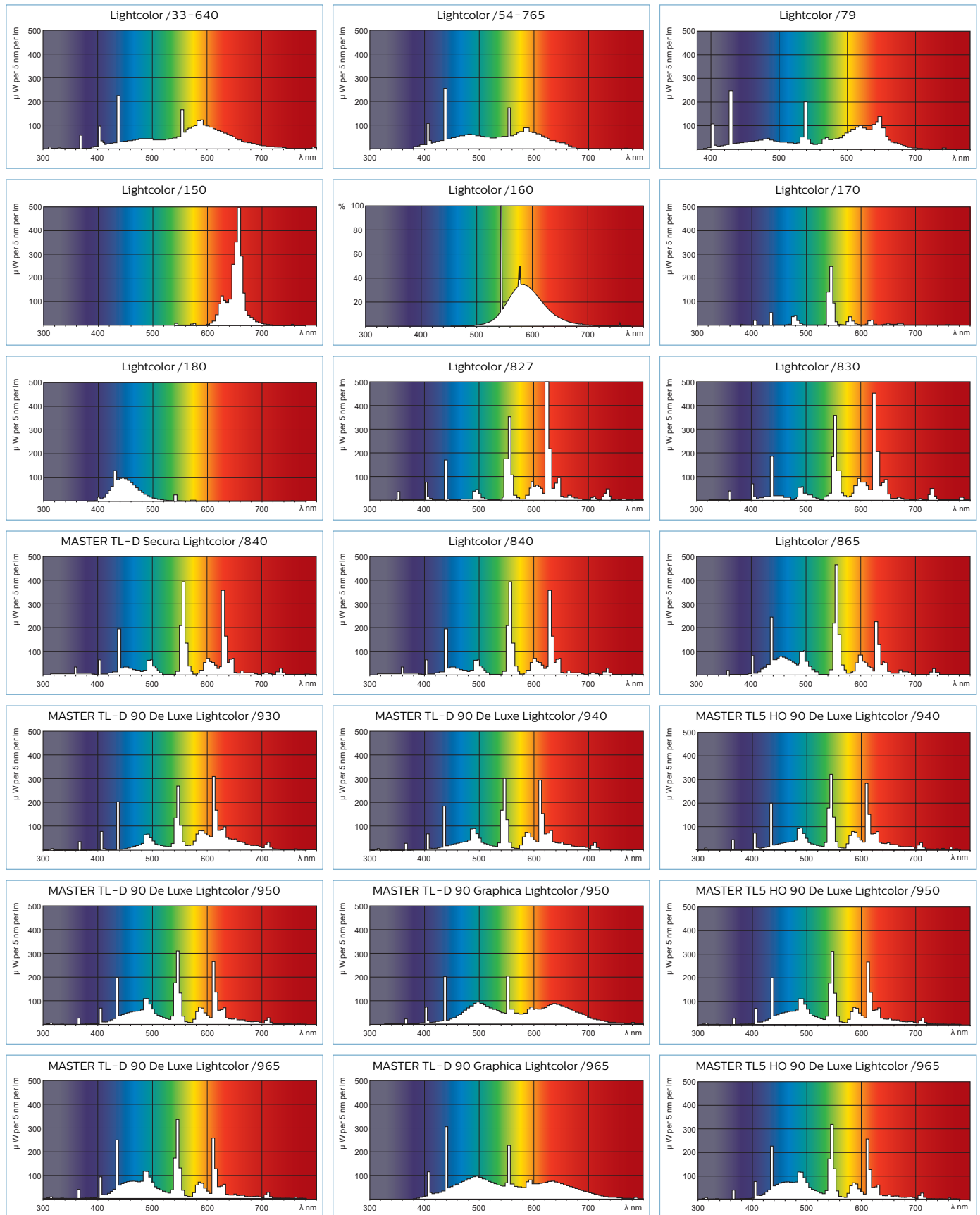
- Starter replacement recommended when replacing fluorescent lamps

#### Warnings and Safety

- Flame-retardant components
- UV-resistant canister



Type	Lamp power (W)	Housing Color	Lamp system description	Voltage (V)	Capacitor	EAN-1
S12	115-140	Black	Single	220-240	Yes	8711500903792
Commercial product name			Net Trade Price per Piece	National Discount Group	EAN-1	
S12 115-140W 220-240V UNP/20X25CT		500	(€ net) 1,30	L3	8711500903792	





Energy Saver Stick shape ⇨



Energy Saver Bulb shape ⇨



Energy Saver Specialties

Energy Saver Twister shape ⇨



## MASTER PL-Electronic



### Green Flagship product as best environmental choice in the energy saving lamps portfolio

Non-covered energy-saving MASTER lamps – the perfect choice for end users who demand the best performance and reliability. With a wide product range with different wattages, it offers comprehensive choices to suit different usages and applications

#### Benefits

- Highest reliability throughout life which is especially beneficial where lighting is required for longer periods of time and / or where lamp replacement is difficult
- The unique bridged burner results in an excellent run-up time with very high initial light output and better thermal performance
- Lifetime independent of switching on-off

#### Features

- Lightweight, superior long-life and energy saving alternative to incandescent lamps
- Very suitable for frequent switching
- Very good lumen maintenance throughout the lifetime of the lamp

- Complete range equipped with the unique Philips bridged burner technology (Mercury)
- Suitable for emergency lighting with DC supply

#### Application



- Designed to replace incandescent lamps in most professional and semi-professional applications, mainly indoor (e. g. hotels, restaurants, offices)
- Enclosed fixtures are required for outdoor applications
- Not suitable for use with dimmers or electronic gear

#### Warnings and Safety

- Breaking a lamp is extremely unlikely to have any impact on your health. If a lamp breaks, ventilate the room for 30 minutes and remove the parts, preferably with gloves. Put them in a closed plastic bag and take it to your local waste facilities for recycling. Do not use a vacuum cleaner.
- Compact fluorescent lamps have to be treated as special waste, they must be taken to your local waste facilities for recycling. The European Lighting Industry has set up an infrastructure, capable of recycling mercury, other metals, glass etc.



	C	D	F
mm	max.	max.	max.
1	119.2	28	40.3
2	141.2	28	40.3
3	126.2	39.6	48
4	137.2	39.6	48
5	152.2	39.6	48
6	174.2	39.6	48
7	196.2	39.6	48

## E27

Type	Lamp power/ Light source color	Voltage (V)	Color Designation	Colour Rendering Index	Correlated Color Temperature (K)	Luminous Flux (Rated) (lm)	Rated Lifetime (h)	Energy Consumption kWh/1000 h (kWh)		 mm	EAN-1
MASTER PLE-C	8W/827	230-240	Warm White (WW)	82	2,700	432	15,000	8	No	1	8711500263582
MASTER PLE-C	11W/827	230-240	Warm White (WW)	82	2,700	600	15,000	11	No	2	8711500263681
MASTER PLE-R	15W/827	220-240	Warm White (WW)	82	2,700	890	20,000	15	No	3	8711500751423
MASTER PLE-R	20W/827	220-240	Warm White (WW)	82	2,700	1,220	20,000	20	No	4	8711500751430
MASTER PLE-R	20W/865	220-240	Cool Daylight	81	6,500	1,175	12,000	20	No	4	8711500712226
MASTER PLE-R	23W/827	220-240	Warm White (WW)	82	2,700	1,485	20,000	23	No	5	8711500751447
MASTER PLE-R	27W/827	220-240	Warm White (WW)	82	2,700	1,820	20,000	27	No	6	8711500543851
MASTER PLE-R	27W/865	220-240	Cool Daylight	81	6,500	1,700	15,000	27	No	6	8711500543899
MASTER PLE-R	33W/827	220-240	Warm White (WW)	82	2,700	2,250	20,000	33	No	7	8711500659996
MASTER PLE-R	33W/865	220-240	Cool Daylight	81	6,500	2,160	15,000	33	No	7	8727900210354





Commercial product name			National Lamp Fee <sup>1</sup>	Net Trade Price per Piece (€ net)	National Discount Group	EAN - 1
MASTER PLE-C 8W/827 E27 230-240V 1CT/6	A	6	fee relevant	14,70	L2	8711500263582
MASTER PLE-C 11W/827 E27 230-240V 1CT/6	A	6	fee relevant	14,70	L2	8711500263681
MASTER PLE-R 15W/827 E27 220-240V 1CT/6	A	6	fee relevant	14,70	L2	8711500751423
MASTER PLE-R 20W/827 E27 220-240V 1CT/6	A	6	fee relevant	14,70	L2	8711500751430
MASTER PLE-R 20W/865 E27 220-240V 1CT/6	A	6	fee relevant	14,70	L2	8711500712226
MASTER PLE-R 23W/827 E27 220-240V 1CT/6	A	6	fee relevant	14,70	L2	8711500751447
MASTER PLE-R 27W/827 E27 220-240V 1CT/6	A	6	fee relevant	14,70	L2	8711500543851
MASTER PLE-R 27W/865 E27 220-240V 1CT/6	A	6	fee relevant	14,70	L2	8711500543899
MASTER PLE-R 33W/827 E27 220-240V 1CT/6	A	6	fee relevant	14,70	L2	8711500659996
MASTER PLE-R 33W/865 E27 220-240V 1CT/6	A	6	fee relevant	14,70	L2	8727900210354

<sup>1</sup> Product fee relevant according local regulation

03



## MASTER Stairway



### Energy saving lamps designed for stairway lighting

Long life & high switching non-covered energy saving lamp. With superior numbers of switching cycles, it is suitable for stairway lighting

#### Benefits

- Save your money with long life-time and high energy efficiency compare to incandescent lamp
- Highly resistant to on/off switching, lifetime independent of switching on/off

#### Features

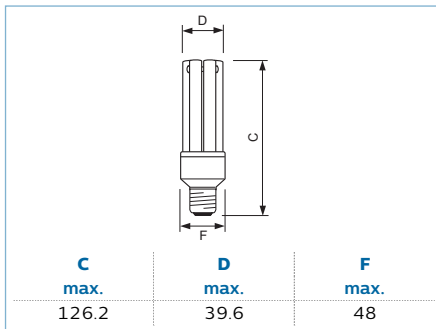
- Long-Life and Energy saving alternative to Incandescent lamps
- Fast Run-up
- Super suitable for frequent switching

#### Application




- Designed to replace incandescent lamps in applications with frequent switching on/off; for indoor and outdoor use
- Enclosed fixtures required for outdoor applications
- Not suitable for use with dimmers or electronic gear

#### Warnings and Safety

- Breaking a lamp is extremely unlikely to have any impact on your health. If a lamp breaks, ventilate the room for 30 minutes and remove the parts, preferably with gloves. Put them in a closed plastic bag and take it to your local waste facilities for recycling. Do not use a vacuum cleaner.
- Compact fluorescent lamps have to be treated as special waste, they must be taken to your local waste facilities for recycling. The European Lighting Industry has set up an infrastructure, capable of recycling mercury, other metals, glass etc.



### MASTER Stairway 220-240V Warm White (WW) E27

Lamp power/Light source color	Colour Rendering Index	Correlated Color Temperature (K)	Luminous Flux (Rated) (lm)	Rated Lifetime (h)	Energy Consumption kWh/1000 h (kWh)		EAN-1
15W/827	82	2,700	850	20,000	15	No	8727900877748
Commercial product name		 	National Lamp Fee <sup>1</sup>	Net Trade Price per Piece (€ net)	National Discount Group	EAN-1	
MASTER Stairway 15W/827 E27 1CH/6		A 6	fee relevant	11,36	L2	8727900877748	

<sup>1</sup> Product fee relevant according local regulation



## GENIE



### Small and powerful energy saver gives high quality light, with compact design

Functional non-covered Energy saving lamp, with money saving high quality light and compact design. This lamp is small enough to fit neatly wherever you need extra bright light at home, enables easy replacement of most incandescent lamp all the way.

#### Benefits

- Compact energy saving lamp enables fitting neatly wherever extra brightness is needed
- Save your money with long life-time and high energy efficiency compare to incandescent lamp
- Flicker-free start & Fast run up

#### Features

- Long-Life and Energy saving alternative to Incandescent lamps
- Fast run-up
- Recommended ambient temperature range to ensure almost constant light output (>90%): between 0 and +50°C

#### Application

- Designed for incandescent lamp replacement in consumer applications where the lamp is not directly visible, especially suitable for indoor applications in functional areas.
- Enclosed fixtures required for outdoor applications
- Not suitable for use with dimmers or electronic gear

#### Warnings and Safety



- Breaking a lamp is extremely unlikely to have any impact on your health. If a lamp breaks, ventilate the room for 30 minutes and remove the parts, preferably with gloves. Put them in a closed plastic bag and take it to your local waste facilities for recycling. Do not use a vacuum cleaner.
- Compact fluorescent lamps have to be treated as special waste, they must be taken to your local waste facilities for recycling. The European Lighting Industry has set up an infrastructure, capable of recycling mercury, other metals, glass etc.

	C	D	F
mm	max.	max.	max.
1	111	21.2	37.5
2	108	21.2	37.5
3	113	35	44.5
4	120	35	44.5
5	108	35	44.5
6	108	36	44.5
7	115	35	44.5
8	127	35	44.5
9	140	36	48.5
10	157	36	48.5

### GENIE 220-240V

Lamp power/ Light source color	Color Designation		Colour Rendering Index	Correlated Color Temperature (K)	Luminous Flux (Rated) (lm)	Rated Lifetime (h)	Energy Consumption kWh/1000 h (kWh)		mm	EAN-1
5W/827	Warm White (WW)	E14	80	2,700	250	10,000	5	No	1	8711500801142
5W/827	Warm White (WW)	E27	80	2,700	250	10,000	5	No	2	8711500801173
8W/827	Warm White (WW)	E14	80	2,700	425	10,000	8	No	3	8711500801159
8W/827	Warm White (WW)	E27	80	2,700	425	10,000	8	No	5	8711500801180
8W/865	Cool Daylight	E14	80	6,500	400	10,000	8	No	3	8711500801050
8W/865	Cool Daylight	E27	80	6,500	400	10,000	8	No	6	8711500802286
11W/827	Warm White (WW)	E14	80	2,700	600	10,000	11	No	4	8711500801166
11W/827	Warm White (WW)	E27	80	2,700	600	10,000	11	No	7	8711500801197
11W/865	Cool Daylight	E14	80	6,500	580	10,000	11	No	4	8711500802576
11W/865	Cool Daylight	E27	80	6,500	580	10,000	11	No	7	8711500801067
14W/827	Warm White (WW)	E27	80	2,700	810	10,000	14	No	8	8711500801203
14W/865	Cool Daylight	E27	80	6,500	760	10,000	14	No	8	8711500801074
18W/827	Warm White (WW)	E27	80	2,700	1,100	10,000	18	No	9	8711500801210
18W/865	Cool Daylight	E27	80	6,500		10,000	18	No	9	8711500801081
23W/827	Warm White (WW)	E27	80	2,700	1,450	10,000	23	No	10	8727900897135
23W/865	Cool Daylight	E27	80	6,500	1,370	10,000	23	No	10	8718291144151



Commercial product name			National Lamp Fee <sup>1</sup>	Net Trade Price per Piece (€ net)	National Discount Group	EAN - 1
GENIE 5W WW E14 220-240V 1PF/6	A	6	fee relevant	3,14	L4	8711500801142
GENIE 5W WW E27 220-240V 1PF/6	A	6	fee relevant	3,14	L4	8711500801173
GENIE 8W CDL E14 220-240V 1PF/6	A	6	fee relevant	3,04	L4	8711500801050
GENIE 8W CDL E27 220-240V 1PF/6	A	6	fee relevant	3,14	L4	8711500802286
GENIE 8W WW E14 220-240V 1PF/6	A	6	fee relevant	3,04	L4	8711500801159
GENIE 8W WW E27 220-240V 1PF/6	A	6	fee relevant	3,14	L4	8711500801180
GENIE 11W CDL E14 220-240V 1PF/6	A	6	fee relevant	3,14	L4	8711500802576
GENIE 11W CDL E27 220-240V 1PF/6	A	6	fee relevant	3,14	L4	8711500801067
GENIE 11W WW E14 220-240V 1PF/6	A	6	fee relevant	3,04	L4	8711500801166
GENIE 11W WW E27 220-240V 1PF/6	A	6	fee relevant	3,14	L4	8711500801197
GENIE 14W CDL E27 220-240V 1PF/6	A	6	fee relevant	3,75	L4	8711500801074
GENIE 14W WW E27 220-240V 1PF/6	A	6	fee relevant	3,75	L4	8711500801203
GENIE 18W CDL E27 220-240V 1PF/6	A	6	fee relevant	3,75	L4	8711500801081
GENIE 18W WW E27 220-240V 1PF/6	A	6	fee relevant	3,75	L4	8711500801210
Genie 23W CDL E27 220-240V 1PF/6	A	6	fee relevant	3,75	L4	8718291144151
Genie 23W WW E27 220-240V 1PF/6	A	6	fee relevant	3,75	L4	8727900897135

<sup>1</sup> Product fee relevant according local regulation

03



## Economy stick


**Just light that you can install and forget**

Entry non-covered energy saving lamp, Long life with low energy consumption. Product consists of Philips quality at everyday low price

**Benefits**

- Best "value for money" Energy saver
- Save your money with long life-time and high energy efficiency compare to incandescent lamp
- Flicker-free start & Fast run up

**Features**

- Long-Life and Energy saving alternative to Incandescent lamps
- Fast Run-up
- Recommended ambient temperature range to ensure almost constant light output (>90%): between 0°C and +50°C

**Application**

- Designed for incandescent lamp replacement in consumer applications where the lamp is not directly visible, especially suitable for indoor applications in functional areas
- Not suitable for use with dimmers or electronic gear

**Warnings and Safety**

- Breaking a lamp is extremely unlikely to have any impact on your health. If a lamp breaks, ventilate the room for 30 minutes and remove the parts, preferably with gloves. Put them in a closed plastic bag and take it to your local waste facilities for recycling. Do not use a vacuum cleaner.
- Compact fluorescent lamps have to be treated as special waste, they must be taken to your local waste facilities for recycling. The European Lighting Industry has set up an infrastructure, capable of recycling mercury, other metals, glass etc.

03



mm	C max.	D max.	F max.
1	132	21.7	40.4
2	145	21.7	40.4

mm	C max.	D max.	F max.
3	125	21.7	40.4
4	138	21.7	40.4
5	155	21.7	40.4

mm	C max.	D max.	F max.
6	143	36	48.4
7	160	36	48.4

## Economy Stick 220-240V

Lamp power/ Light source color	Color Designation		Colour Rendering Index	Correlated Color Temperature (K)	Luminous Flux (Rated) (lm)	Rated Lifetime (h)	Energy Consumption kWh/1000 h (kWh)			EAN-1
8W/827	Warm White (WW)	E14	82	2,700	460	6,000	8	No	1	8718291658375
8W/827	Warm White (WW)	E27	82	2,700	460	6,000	8	No	3	8718291658474
11W/827	Warm White (WW)	E14	82	2,700	660	6,000	11	No	2	8718291658573
11W/827	Warm White (WW)	E27	82	2,700	660	6,000	11	No	4	8718291658535
11W/865	Cool Daylight	E27	80	6,500	625	6,000	11	No	4	8718291658511
14W/827	Warm White (WW)	E27	82	2,700	856	6,000	14	No	5	8718291658634
14W/865	Cool Daylight	E27	80	6,500	810	6,000	14	No	5	8718291658610
18W/827	Warm White (WW)	E27	82	2,700	1,100	6,000	18	No	6	8718291216773
18W/865	Cool Daylight	E27	80	6,500	1,100	6,000	18	No	6	8718291216759
23W/827	Warm White (WW)	E27	82	2,700	1,430	6,000	23	No	7	8718291216834
23W/865	Cool Daylight	E27	80	6,500	1,390	6,000	23	No	7	8718291216810

Commercial product name			National Lamp Fee <sup>1</sup>	Net Trade Price per Piece (€ net)	National Discount Group	EAN-1
Economy Stick 8W WW E14 220-240 1PF/6	A	6	fee relevant	2,50	L4	8718291658375
Economy Stick 8W WW E27 220-240 1PF/6	A	6	fee relevant	2,50	L4	8718291658474
Economy Stick 11W CDL E27 220-240 1PF/6	A	6	fee relevant	2,50	L4	8718291658511
Economy Stick 11W WW E14 220-240 1PF/6	A	6	fee relevant	2,50	L4	8718291658573
Economy Stick 11W WW E27 220-240 1PF/6	A	6	fee relevant	2,50	L4	8718291658535
<b>Z</b> Economy Stick 14W CDL E27 220-240 1PF/6	A	6	fee relevant	3,30	L4	8718291658610
Economy Stick 14W WW E27 220-240 1PF/6	A	6	fee relevant	3,30	L4	8718291658634
Economy Stick 18W CDL E27 220-240 1PF/6	A	6	fee relevant	3,30	L4	8718291216759
Economy Stick 18W WW E27 220-240 1PF/6	A	6	fee relevant	3,30	L4	8718291216773
Economy Stick 23W CDL E27 220-240 1PF/6	A	6	fee relevant	3,30	L4	8718291216810
Economy Stick 23W WW E27 220-240 1PF/6	A	6	fee relevant	3,30	L4	8718291216834

<sup>1</sup> Product fee relevant according local regulation

**Z** = available until stock lasts

## MASTER PL-Electronic Polar



### Green Flagship product as best environmental choice in the energy saving lamps portfolio

Energy-saving covered lamps for outdoor professional applications – the perfect choice for end-users who demand the best performance and reliability. The product family offers different wattages to suit different applications.

#### Benefits

- The perfect choice for extreme temperature resistant with best performance & reliability
- Save your money with long life-time and high energy efficiency
- Lifetime independent of switching on-off

#### Features

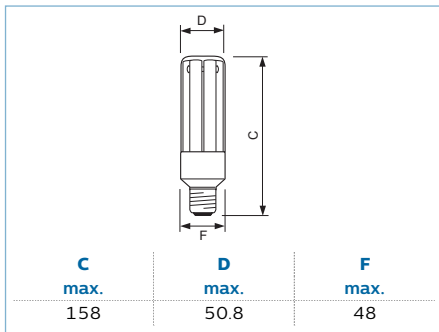
- Lightweight, superior long-life and energy saving alternative to incandescent lamps
- Very Suitable for frequent switching
- Very good lumen maintenance throughout the lifetime of the lamp
- Fast Run-up
- Suitable for emergency lighting with DC supply

#### Application

- Designed to replace incandescent lamps in most professional and semi-professional applications
- Enclosed fixtures required for outdoor applications
- Not suitable for use with dimmers or electronic gear

#### Warnings and Safety

- Breaking a lamp is extremely unlikely to have any impact on your health. If a lamp breaks, ventilate the room for 30 minutes and remove the parts, preferably with gloves. Put them in a closed plastic bag and take it to your local waste facilities for recycling. Do not use a vacuum cleaner.
- Compact fluorescent lamps have to be treated as special waste, they must be taken to your local waste facilities for recycling. The European Lighting Industry has set up an infrastructure, capable of recycling mercury, other metals, glass etc.



## MASTER PL-E Polar 220-240V Warm White (WW) E27

Lamp power/ Light source color	Bulb Shape	Colour Rendering Index	Correlated Color Temperature  (K)	Luminous Flux (Rated)  (lm)	Rated Lifetime  (h)	Energy Consumption kWh/1000 h  (kWh)		EAN-1
23W/827	Stick	82	2,700	1,485	15,000	23	No	8711500660053
Commercial product name				National Lamp Fee <sup>1</sup>	Net Trade Price per Piece  (€ net)	National Discount Group	EAN-1	
MASTER PL-E Polar 23W/827 E27 1CH/6		A	6	fee relevant	13,10	L2	8711500660053	

<sup>1</sup> Product fee relevant according local regulation





## Softone Globe



### Globe shaped lamp, with soft and Gentle decorative light, to complement your luminaire

Decorative covered energy-saving lamps in Globe shape, for consumer applications. The product family includes different size globe, which enables easy replacement of most incandescent lamp all the way.

#### Benefits

- Save your money with long life-time and high energy efficiency compare to incandescent lamp
- More switching cycles than standard energy-saving lamps
- Reduced glare and aesthetic form due to globe shaped outer bulb

#### Features

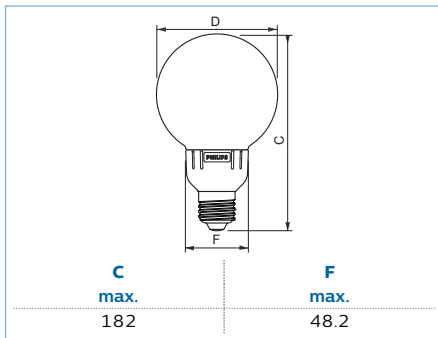
- Long-life and Energy saving alternative to incandescent lamps
- Suitable for frequent switching
- Recommended ambient temperature range to ensure almost constant light output (>90%): between 0 and +50 °C
- Flawless ignition at -10 °C and up

#### Application

- Designed for incandescent lamp replacement in (open) luminaires with a decorative function or as replacement of globe incandescent lamps
- Especially suitable for applications with a decorative function in areas where lighting is required for longer periods of time or where lamp replacement is difficult
- Not suitable for dimming and electronic devices

#### Warnings and Safety

- Breaking a lamp is extremely unlikely to have any impact on your health. If a lamp breaks, ventilate the room for 30 minutes and remove the parts, preferably with gloves. Put them in a closed plastic bag and take it to your local waste facilities for recycling. Do not use a vacuum cleaner.
- Compact fluorescent lamps have to be treated as special waste, they must be taken to your local waste facilities for recycling. The European Lighting Industry has set up an infrastructure, capable of recycling mercury, other metals, glass etc.



## Softone Globe 220-240V E27

Lamp power/ Light source color	Color Designation	Bulb Shape	Colour Rendering Index	Correlated Color Temperature  (K)	Luminous Flux (Rated)  (lm)	Rated Lifetime  (h)	Energy Consumption kWh/1000 h  (kWh)		EAN-1
20W/827	Warm White (WW)	G120	82	2,700	1,140	10,000	20	No	8711500830159
23W/865	Cool Daylight	G120	80	6,500	1,310	10,000	23	No	8711500469069

Commercial product name			National Lamp Fee <sup>1</sup>	Net Trade Price per Piece  (€ net)	National Discount Group	EAN-1
Softone Globe 20W WW E27 G120 1CH/4	A	4	fee relevant	9,39	L4	8711500830159
Softone Globe 23W CDL E27 G120 1CH/4	A	4	fee relevant	9,39	L4	8711500469069

<sup>1</sup> Product fee relevant according local regulation



## Circular ESaver



### Circular lamps which is truly efficient, have special shape for special

Circular-shaped energy-saving lamp, special shape for special applications. With high lumen output and low in height, they fit in shallow places to give an extra boost of light.

#### Benefits

- Excellent light dispersion characteristics with high luminous flux
- Save your money with long life-time and high energy efficiency compare to incandescent lamp

#### Features

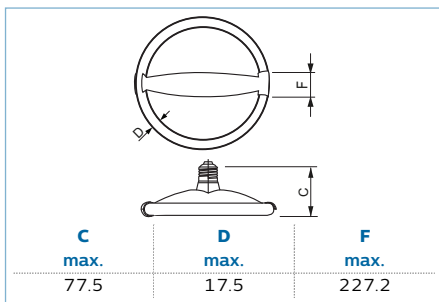
- Flat, low-weight long-life energy saving alternative to incandescent lamps
- Available in two color temperatures
- Give the extra boost of light with high efficacy

#### Application

- Designed for incandescent lamp replacement for general lighting in consumer and (semi-) professional applications – round, slim shape well suited to all shallow lampshades and pendant lamp fittings
- Not suitable for dimming and electronic devices

#### Warnings and Safety

- Breaking a lamp is extremely unlikely to have any impact on your health. If a lamp breaks, ventilate the room for 30 minutes and remove the parts, preferably with gloves. Put them in a closed plastic bag and take it to your local waste facilities for recycling. Do not use a vacuum cleaner.
- Compact fluorescent lamps have to be treated as special waste, they must be taken to your local waste facilities for recycling. The European Lighting Industry has set up an infrastructure, capable of recycling mercury, other metals, glass etc.



### Circular ESaver 220-240V E27

Lamp power/ Light source color	Color Designation	Colour Rendering Index	Correlated Color Temperature  (K)	Luminous Flux (Rated)  (lm)	Rated Lifetime  (h)	Energy Consumption kWh/ 1000 h  (kWh)		EAN-1
24W/827	Warm White (WW)	82	2,700	1,700	6,000	24	No	8711500315274
24W/865	Cool Daylight	80	6,500	1,700	6,000	24	No	8711500317056

Commercial product name			National Lamp Fee <sup>1</sup>	Net Trade Price per Piece  (€ net)	National Discount Group	EAN-1
Circular ES 24W CDL E27 220-240V 1CT/6	A	6	fee relevant	12,20	L4	8711500317056
Circular ES 24W WW E27 220-240V 1CT/6	A	6	fee relevant	12,20	L4	8711500315274

<sup>1</sup> Product fee relevant according local regulation



## Tornado Dimmable



### Best in Class dimmable spiral-shaped energy saving lamp

Tornado T3 Dimmable lamps is our Champion of lighting dimmer, which is ideal to change the light depending on your needs and moods. Tornado has high performance bright light. It is small in design so fits in nearly all luminaires. Spiral shape makes this lamp highly decorative and attractive, especially for modern interiors.

#### Benefits

- Best in class dimming lamp, superior dim-mability and reliable performance throughout the life
- Save your money with long life-time and high energy efficiency compare to incandescent lamp
- More switching cycles than standard energy-saving lamps

#### Features

- Long-Life and Energy saving alternative to Incandescent lamps

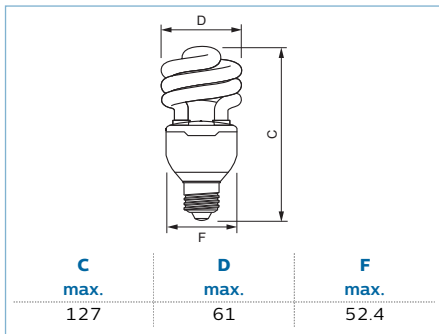
- Dimmable down of nominal light output

#### Application



- Designed to replace incandescent lamps with dimming applications, preferably indoor areas
- Suitable to be used with dimmers (only compatible dimmers)

#### Warnings and Safety

- Breaking a lamp is extremely unlikely to have any impact on your health. If a lamp breaks, ventilate the room for 30 minutes and remove the parts, preferably with gloves. Put them in a closed plastic bag and take it to your local waste facilities for recycling. Do not use a vacuum cleaner.
- Compact fluorescent lamps have to be treated as special waste, they must be taken to your local waste facilities for recycling. The European Lighting Industry has set up an infrastructure, capable of recycling mercury, other metals, glass etc.



## Tornado Dimmable 220-240V Warm White (WW) E27

Lamp power/Light source color	Colour Rendering Index	Correlated Color Temperature (K)	Luminous Flux (Rated) (lm)	Rated Lifetime (h)	Energy Consumption kWh/1000 h (kWh)	EAN-1
20W/827	82	2,700	1,220	10,000	20	8710163394701
Commercial product name	  National Lamp Fee <sup>1</sup>		Net Trade Price per Piece (€ net)	National Discount Group	EAN-1	
Z Tornado Dimmable 20W WW E27 220-240V 1PF/6	A	6	fee relevant	10,64	L4	8710163394701

<sup>1</sup> Product fee relevant according local regulation

Z = available until stock lasts



## Economy Twister



### An energy saver combines energy saving & a compact design

Compact Entry Spiral shape energy saving lamp, starts bright light rapidly and fits everywhere. It saves your money due to its low energy consumption. With a comprehensive range of wattages, it enables easy replacement of most incandescent lamp all the way

#### Benefits

- "Value for Money" compact design Energy Saver
- Save your money with long life-time and high energy efficiency compare to incandescent lamp
- Flicker-free start & Fast run up

#### Features

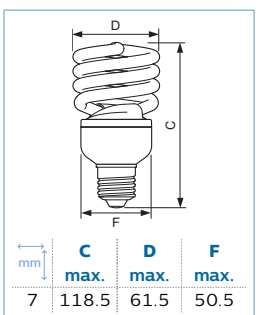
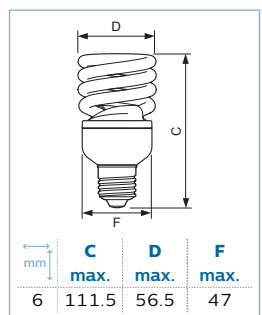
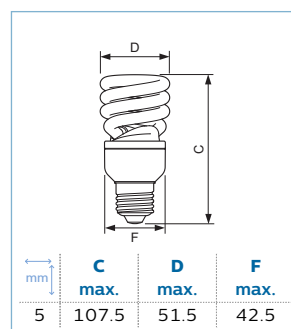
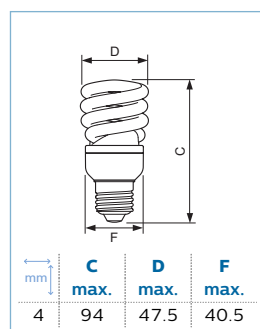
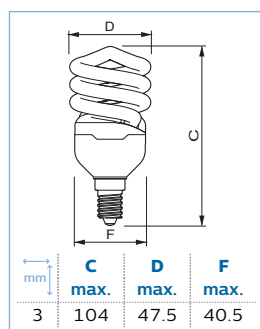
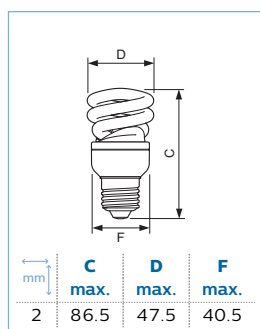
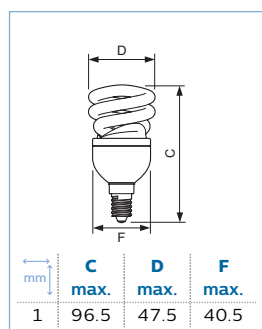
- Spiral Shape, Long-Life and Energy saving alternative to Incandescent lamps
- Fast Run-up
- Recommended ambient temperature range to ensure almost constant light output (>90%): between 0°C and +50°C

#### Application

- Designed for incandescent lamp replacement in consumer applications where the lamp is not directly visible; especially suitable for use in (indoor) functional areas \* Enclosed fixtures required for outdoor applications
- Not suitable for use with dimmers or electronic gear



#### Warnings and Safety

- Breaking a lamp is extremely unlikely to have any impact on your health. If a lamp breaks, ventilate the room for 30 minutes and remove the parts, preferably with gloves. Put them in a closed plastic bag and take it to your local waste facilities for recycling. Do not use a vacuum cleaner.
- Compact fluorescent lamps have to be treated as special waste, they must be taken to your local waste facilities for recycling. The European Lighting Industry has set up an infrastructure, capable of recycling mercury, other metals, glass etc.



### Economy Twister 220-240V

Lamp power/ Light source color	Color Designation	Colour Rendering Index	Correlated Color Temperature (K)	Luminous Flux (Rated) (lm)	Rated Lifetime (h)	Energy Consumption kWh/1000 h (kWh)	mm	EAN-1
8W/827	Warm White (WW)	E14	81	2,700	500	6,000	8	No 1 8718291217015
8W/827	Warm White (WW)	E27	81	2,700	500	6,000	8	No 2 8718291216995
12W/827	Warm White (WW)	E14	81	2,700	741	6,000	12	No 3 8718291217053
12W/827	Warm White (WW)	E27	81	2,700	741	6,000	12	No 4 8718291217039
15W/827	Warm White (WW)	E27	81	2,700	970	6,000	15	No 5 8718291217091
15W/865	Cool Daylight	E27	80	6,500	900	6,000	15	No 5 8718291217077
20W/827	Warm White (WW)	E27	81	2,700	1,250	6,000	20	No 6 8718291680086
20W/865	Cool Daylight	E27	80	6,500	1,200	6,000	20	No 6 8718291679394
23W/827	Warm White (WW)	E27	81	2,700	1,570	6,000	23	No 7 8718291217176
23W/865	Cool Daylight	E27	80	6,500	1,450	6,000	23	No 7 8718291217152

Commercial product name			National Lamp Fee <sup>1</sup>	Net Trade Price per Piece (€ net)	National Discount Group	EAN - 1
EconomyTwister 8W WW E14 220-240V 1PF/6	A	6	fee relevant	3,04	L4	8718291217015
EconomyTwister 8W WW E27 220-240V 1PF/6	A	6	fee relevant	3,04	L4	8718291216995
EconomyTwister 12W WW E14 220-240V 1PF/6	A	6	fee relevant	3,04	L4	8718291217053
EconomyTwister 12W WW E27 220-240V 1PF/6	A	6	fee relevant	3,04	L4	8718291217039
EconomyTwister 15W CDL E27 1PF/6	A	6	fee relevant	3,50	L4	8718291217077
EconomyTwister 15W WW E27 220-240V 1PF/6	A	6	fee relevant	3,36	L4	8718291217091
EconomyTwister 20W CDL E27 1PF/6	A	6	fee relevant	3,50	L4	8718291679394
EconomyTwister 20W WW E27 220-240V 1PF/6	A	6	fee relevant	3,50	L4	8718291680086
EconomyTwister 23W CDL E27 1PF/6	A	6	fee relevant	3,36	L4	8718291217152
EconomyTwister 23W WW E27 220-240V 1PF/6	A	6	fee relevant	3,37	L4	8718291217176

<sup>1</sup> Product fee relevant according local regulation

03



## Tornado High Lumen



### Combining superior high lumen, design & performance

Energy saving lamp in spiral shape, with superior performance (long life, high switching) and high lumen warm bright light. Perfectly suitable to be used in places where high lumen is required, and the lamp is directly visible.

#### Benefits

- Simple installation – no ballast needed
- Save your money with long life-time
- Perfect energy-saving solution for mercury lamps replacement

#### Features

- Long-Life and Energy saving alternative to Incandescent lamps
- Suitable for frequent switching
- Flawless ignition at  $-10^{\circ}\text{C}$  and up
- Ambient temperature range to ensure almost constant light output:  $0-50^{\circ}\text{C}$

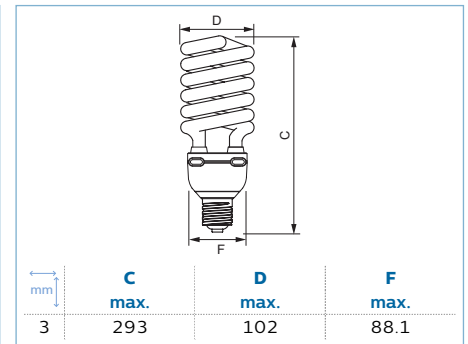
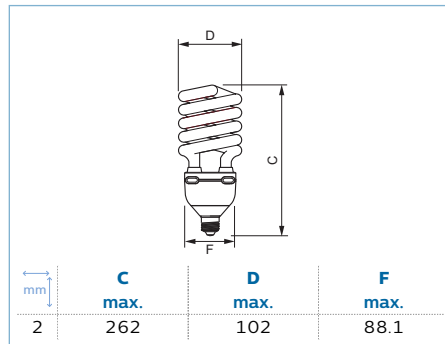
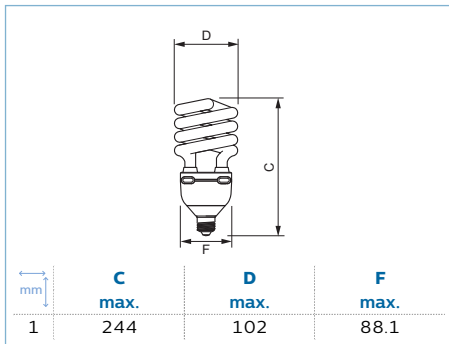
#### Application

- Designed primarily for professional applications (hotels, restaurants, shops), ideally high-bay type indoor applications; not suitable for household room illumination
- Enclosed fixtures required for outdoor applications
- Not suitable for use with dimmers or electronic gear

#### Warnings and Safety

- Breaking a lamp is extremely unlikely to have any impact on your health. If a lamp breaks, ventilate the room for 30 minutes and remove the parts, preferably with gloves. Put them in a closed plastic bag and take it to your local waste facilities for recycling. Do not use a vacuum cleaner.
- Compact fluorescent lamps have to be treated as special waste, they must be taken to your local waste facilities for recycling. The European Lighting Industry has set up an infrastructure, capable of recycling mercury, other metals, glass etc.

03



## Tornado High Lumen 220-240V

Lamp power/ Light source color	Color Designation		Colour Rendering Index	Correlated Color Temperature (K)	Luminous Flux (Rated) (lm)	Rated Lifetime (h)	Energy Consumption kWh/1000 h (kWh)			EAN-1
45W/827	Warm White (WW)	E27	80	2,700	3,080	10,000	45	No	1	8727900808223
45W/865	Cool Daylight	E27	80	6,500	3,080	10,000	45	No	1	8727900807196
60W/827	Warm White (WW)	E27	80	2,700	4,300	10,000	60	No	2	8727900808247
60W/865	Cool Daylight	E27	80	6,500	4,300	10,000	60	No	2	8727900807219
75W/827	Warm White (WW)	E40	80	2,700	5,550	10,000	75	No	3	8727900808322
75W/865	Cool Daylight	E40	80	6,500	5,550	10,000	75	No	3	8727900807233

Commercial product name			National Lamp Fee <sup>1</sup>	Net Trade Price per Piece (€ net)	National Discount Group	EAN-1
Tornado High Lumen 45W CDL E27 1CT/6	A	6	fee relevant	16,04	L4	8727900807196
Tornado High Lumen 45W WW E27 1CT/6	A	6	fee relevant	16,04	L4	8727900808223
Tornado High Lumen 60W CDL E27 1CT/6	A	6	fee relevant	22,20	L4	8727900807219
Tornado High Lumen 60W WW E27 1CT/6	A	6	fee relevant	22,20	L4	8727900808247
Tornado High Lumen 75W CDL E40 1CT/6	A	6	fee relevant	30,22	L4	8727900807233
Tornado High Lumen 75W WW E40 1CT/6	A	6	fee relevant	33,34	L4	8727900808322

<sup>1</sup> Product fee relevant according local regulation



## Tornado T3



### Spreadhead spiral shape energy saving products, preferred by over 90% of consumers

Tornado has outstanding brightness which makes your colors appear more Vivid. It allows easy replacement of high wattage of incandescent lamps.

#### Benefits

- Outstanding brightness & Vivid Colors
- Flicker-Free start & Fast run up
- Save your money with long life-time and high energy efficiency compare to incandescent lamp

#### Features

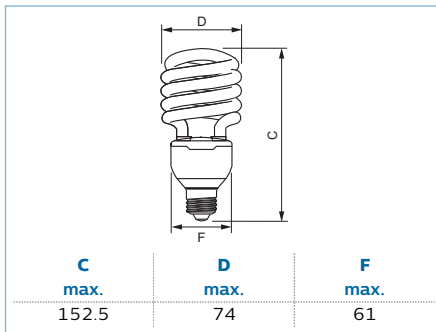
- Long-Life and Energy saving alternative to Incandescent lamps
- Fast Run-up
- Recommended ambient temperature range to ensure almost constant light output (>90%): 0 and + 50 °C

#### Application

- Replacement of incandescent lamps in both professional and home applications
- Enclosed fixtures required for outdoor applications
- Not suitable for use with dimmers or electronic devices

#### Warnings and Safety

- Breaking a lamp is extremely unlikely to have any impact on your health. If a lamp breaks, ventilate the room for 30 minutes and remove the parts, preferably with gloves. Put them in a closed plastic bag and take it to your local waste facilities for recycling. Do not use a vacuum cleaner.
- Compact fluorescent lamps have to be treated as special waste, they must be taken to your local waste facilities for recycling. The European Lighting Industry has set up an infrastructure, capable of recycling mercury, other metals, glass etc.



## Tornado T3 220-240V E27

Lamp power/ Light source color	Color Designation	Colour Rendering Index	Correlated Color Temperature  (K)	Luminous Flux (Rated)  (lm)	Rated Lifetime  (h)	Energy Consumption kWh/ 1000 h  (kWh)		EAN-1
32W/827	Warm White (WW)	80	2,700	2,255	8,000	32	No	8727900876284
32W/865	Cool Daylight	80	6,500	2,160	8,000	32	No	8727900876307

Commercial product name			National Lamp Fee <sup>1</sup>	Net Trade Price per Piece  (€ net)	National Discount Group	EAN-1
Tornado T3 32W CDL E27 220-240V 1PF/6	A	6	fee relevant	7,30	L4	8727900876307
Tornado T3 32W WW E27 220-240V 1PF/6	A	6	fee relevant	7,30	L4	8727900876284

<sup>1</sup> Product fee relevant according local regulation



## Tornado T2



### Spreadhead spiral shape energy saving products, preferred by over 90% of consumers

Tornado has outstanding brightness which makes your colors appear more Vivid. It fits everywhere due to its compact design. With comprehensive product range, it allows easy replacement of incandescent lamps all the way.

#### Benefits

- Outstanding brightness & Vivid Colors
- Flicker-Free start & Fast run up
- Save your money with long life-time and high energy efficiency compare to incandescent lamp

#### Features

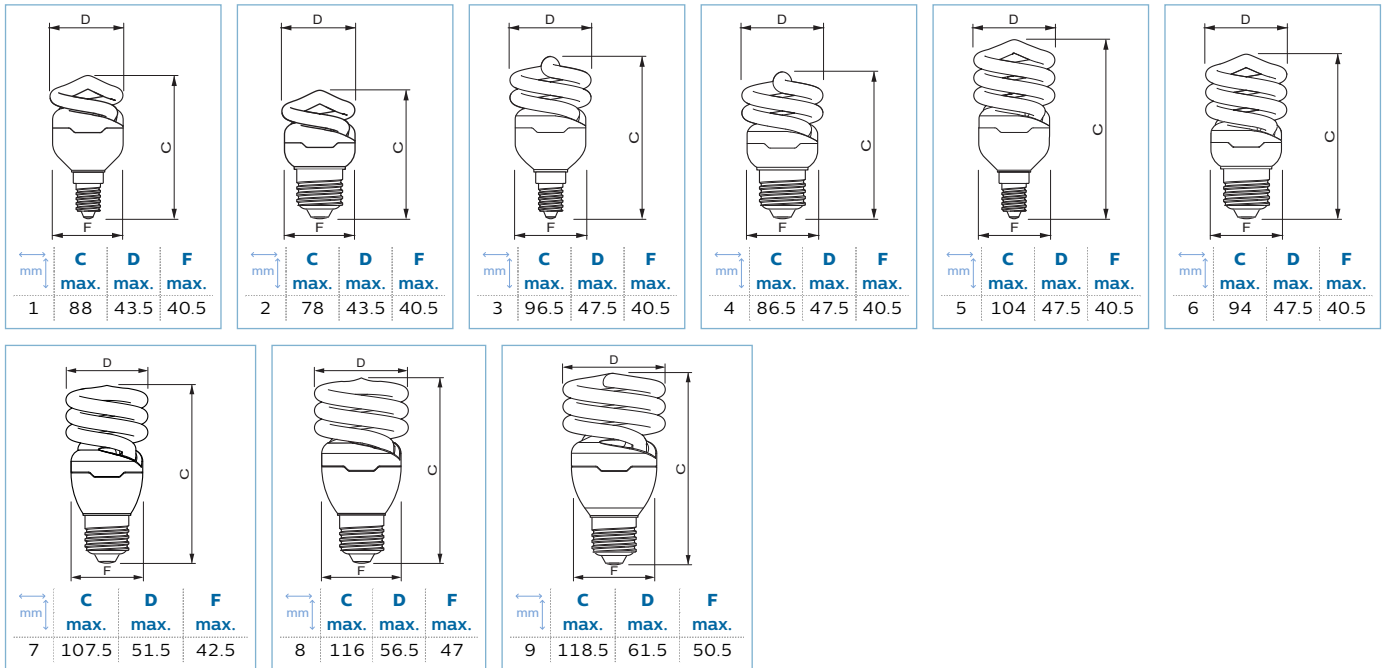
- Long-Life and Energy saving alternative to Incandescent lamps
- Fast Run-up
- Recommended ambient temperature range to ensure almost constant light output (>90%): 0 and + 50 °C

#### Application

- Replacement of incandescent lamps both in professional and home applications (hotels, restaurants, shops) where the lamp is not directly visible; especially suitable for use in indoor functional areas
- Enclosed fixtures required for outdoor applications
- Not suitable for use with dimmers or electronic gear



#### Warnings and Safety

- Breaking a lamp is extremely unlikely to have any impact on your health. If a lamp breaks, ventilate the room for 30 minutes and remove the parts, preferably with gloves. Put them in a closed plastic bag and take it to your local waste facilities for recycling. Do not use a vacuum cleaner.
- Compact fluorescent lamps have to be treated as special waste, they must be taken to your local waste facilities for recycling. The European Lighting Industry has set up an infrastructure, capable of recycling mercury, other metals, glass etc.



### Tornado T2 220-240V

Lamp power/ Light source color	Color Designation		Colour Rendering Index	Correlated Color Temperature (K)	Luminous Flux (Rated) (lm)	Rated Lifetime (h)	Energy Consumption kWh/1000 h (kWh)			EAN-1
5W/827	Warm White (WW)	E14	82	2,700	270	10,000	5	No	1	8718291116905
5W/827	Warm White (WW)	E27	82	2,700	270	10,000	5	No	2	8718291116820
8W/827	Warm White (WW)	E14	82	2,700	505	10,000	8	No	3	8718291117162
8W/827	Warm White (WW)	E27	82	2,700	505	10,000	8	No	4	8718291117087
8W/865	Cool Daylight	E14	80	6,500	475	10,000	8	No	3	8718291117124
8W/865	Cool Daylight	E27	80	6,500	475	10,000	8	No	4	8718291117049
12W/827	Warm White (WW)	E14	82	2,700	741	10,000	12	No	5	8718291117247
12W/827	Warm White (WW)	E27	82	2,700	741	10,000	12	No	6	8718291116981
12W/865	Cool Daylight	E14	80	6,500	705	10,000	12	No	5	8718291117209
12W/865	Cool Daylight	E27	80	6,500	705	10,000	12	No	6	8718291116943
15W/827	Warm White (WW)	E27	82	2,700	970	10,000	15	No	7	8727900925784
15W/865	Cool Daylight	E27	80	6,500	900	10,000	15	No	7	8727900925845
20W/827	Warm White (WW)	E27	82	2,700	1,320	10,000	20	No	8	8710163405179
20W/865	Cool Daylight	E27	80	6,500	1,305	10,000	20	No	8	8710163405155
23W/827	Warm White (WW)	E27	82	2,700	1,570	10,000	23	No	9	8727900925944
23W/865	Cool Daylight	E27	80	6,500	1,450	10,000	23	No	9	8727900926002

Commercial product name			National Lamp Fee <sup>1</sup>	Net Trade Price per Piece (€ net)	National Discount Group	EAN - 1
Tornado T2 5W WW E14 220-240V 1PF/6	A	6	fee relevant	3,34	L4	8718291116905
Tornado T2 5W WW E27 220-240V 1PF/6	A	6	fee relevant	3,97	L4	8718291116820
Tornado T2 8W CDL E14 220-240V 1PF/6	A	6	fee relevant	3,34	L4	8718291117124
Tornado T2 8W CDL E27 220-240V 1PF/6	A	6	fee relevant	3,97	L4	8718291117049
Tornado T2 8W WW E14 220-240V 1PF/6	A	6	fee relevant	4,17	L4	8718291117162
Tornado T2 8W WW E27 220-240V 1PF/6	A	6	fee relevant	3,97	L4	8718291117087
Tornado T2 12W CDL E14 220-240V 1PF/6	A	6	fee relevant	3,97	L4	8718291117209
Tornado T2 12W CDL E27 220-240V 1PF/6	A	6	fee relevant	3,75	L4	8718291116943
Tornado T2 12W WW E14 220-240V 1PF/6	A	6	fee relevant	4,17	L4	8718291117247
Tornado T2 12W WW E27 220-240V 1PF/6	A	6	fee relevant	3,75	L4	8718291116981
Tornado T2 15W CDL E27 220-240V 1PF/6	A	6	fee relevant	4,60	L4	8727900925845
Tornado T2 15W WW E27 220-240V 1PF/6	A	6	fee relevant	4,80	L4	8727900925784
Tornado T2 20W CDL E27 220-240V 1PF/6	A	6	fee relevant	4,80	L4	8710163405155
Tornado T2 20W WW E27 220-240V 1PF/6	A	6	fee relevant	4,80	L4	8710163405179
Tornado T2 23W CDL E27 220-240V 1PF/6	A	6	fee relevant	4,80	L4	8727900926002
Tornado T2 23W WW E27 220-240V 1PF/6	A	6	fee relevant	4,80	L4	8727900925944

<sup>1</sup> Product fee relevant according local regulation

03



## Tornado T2 mini



### Bright & compact energy saving lamp, with slim design ideal for narrow fittings

Decorative spiral-shaped Energy Saving Lamp in very compact size. This lamp combines high performance bright light and ultra slim size, ideal for narrow luminaires with its compact design.

#### Benefits

- Compact and slim energy saving lamp enables fitting neatly wherever extra brightness is needed
- Save your money with long life-time and high energy efficiency compare to incandescent lamp

#### Features

- High performance small energy saver with high performance bright light
- Long-Life and Energy saving alternative to Incandescent lamps
- Fast Run-up

#### Application

- Replacement of incandescent lamps for slim luminaires both in professional and home applications (hotels, restaurants, shops)
- Enclosed fixtures required for outdoor applications
- Not suitable for use with dimmers or electronic gear

#### Warnings and Safety

- Breaking a lamp is extremely unlikely to have any impact on your health. If a lamp breaks, ventilate the room for 30 minutes and remove the parts, preferably with gloves. Put them in a closed plastic bag and take it to your local waste facilities for recycling. Do not use a vacuum cleaner.
- Compact fluorescent lamps have to be treated as special waste, they must be taken to your local waste facilities for recycling. The European Lighting Industry has set up an infrastructure, capable of recycling mercury, other metals, glass etc.

mm	C max.	D max.	F max.
1	100	38.5	38.5
2	105	38.5	38.5

## Tornado T2 Slim 220-240V Warm White (WW) E14

Lamp power/Light source color	Colour Rendering Index	Correlated Color Temperature (K)	Luminous Flux (Rated) (lm)	Rated Lifetime (h)	Energy Consumption kWh/1000 h (kWh)			EAN-1
8W/827	82	2,700	480	8,000	8	No	1	8727900926606
12W/827	82	2,700	735	8,000	12	No	2	8727900926620

Commercial product name			National Lamp Fee <sup>1</sup>	Net Trade Price per Piece (€ net)	National Discount Group	EAN-1
Tornado T2 mini 8W WW E14 220-240V 1PF/6	A	6	fee relevant	5,22	L4	8727900926606
Tornado T2 mini 12W WW E14 1PF/6	A	6	fee relevant	5,22	L4	8727900926620

<sup>1</sup> Product fee relevant according local regulation




PL-R



PL-S ↻



PL-C ↻



PL-T ↻



PL-L ↻



PL-Q ↻





## MASTER PL-R Eco 4 Pin

**The ultimate Saver!**

MASTER PL-R Eco is an extremely efficient compact fluorescent lamp for downlight applications. It consists of six parallel tubes with a new innovative 'twist and lock' lamp base, designed for operation with electronic gear. The MASTER PL-R Eco contains the original bridge technology invented and patented by Philips. This guarantees optimum performance in the application and results in significantly higher efficacies than with regular compact fluorescent lamps. On top of that, MASTER PL-R Eco lamps offer more than double the service life of a standard compact fluorescent lamp, thanks to superior lumen maintenance. The 'twist and lock' lamp base provides easy and safe (dis-)mounting and sturdy fixation in the luminaire.

- Fluorescent tri-phosphor technology
- Extra long lifetime and less early failures
- Very low light depreciation over lamp life
- Service lifetime of 19,000 hours

**Environment**

- Most sustainable compact fluorescent solution for comparable lighting solutions
- Up to 50% reduction of CO<sub>2</sub> emissions in application and lower light output depreciation
- Longer service life and lowest mercury content leads to less environmental waste
- Compliant with all RoHS and WEEE requirements: very low content of mercury, lead free and no use of radioactive materials and hazardous flame retardants

**Application**

- Designed for general down-lighting in (semi-) professional indoor applications: offices, retail, hospitals, governmental and public buildings
- Ideal for use in recessed or surface mounted downlighters, wall units
- Suitable for use in applications where maintenance costs are high (high ceilings, difficult to reach): department stores, supermarkets, warehouses, production halls and public areas

**Warnings and Safety**

- Lamp light technical and electrical characteristics are influenced by operating conditions, i. e. lamp ambient temperature and operating position as well as applied HF control gear
- Shorter lamp life when often switching and not well pre-heated electrodes
- A lamp breaking is extremely unlikely to have any impact on your health. If a lamp breaks, ventilate the room for 30 minutes and remove the parts, preferably with gloves. Put them in a sealed plastic bag and take it to your local waste facilities for recycling. Do not use a vacuum cleaner.

	A	B	C	D
	max.	max.	max.	max.
1	99.7	120	126.6	41
2	121.7	142	148.6	41

**Benefits**

- Up to 50% less energy consumption in application versus 18 and 26 W PL-C/T on electromagnetic ballasts for comparable lighting levels
- Up to 25% less energy consumption in application versus 18 and 26 W PL-C/T on electronic drivers for comparable lighting levels
- Easy lamp (re-)placement and stable fixation due to new twist and lock lampbase / holder
- Longer lifetime and less early failures lead to less hassle and lower maintenance costs and facilitate the change from spot to group replacement
- Dimming possible down to 10%

**Features**

- Twist and lock 4-pin lamp base GR14q-1 without starter and capacitor
- Maximum light output reached at approximately 35-40°C in free-burning base-up position

## MASTER PL-R Eco /4 Pins GR14Q-1

Power/Light source color	Colour Rendering Index	Luminous Flux (Rated) (lm)		Life to 10% Failures Preheat (h)	Life to 50% Failures Preheat (h)		EAN-1
14W/830	>80	1,050	Yes	19,000	24,000	1	8711500265951
17W/830	>80	1,250	Yes	19,000	24,000	2	8711500266019
14W/840	82	1,050	Yes	19,000	24,000	1	8711500265982
17W/840	82	1,250	Yes	19,000	24,000	2	8711500266040

Commercial product name			National Lamp Fee <sup>1</sup>	Net Trade Price per Piece (€ net)	National Discount Group	EAN-1
MASTER PL-R Eco 14W/830/4P 1CT/5X10BOX	A	50	fee relevant	5,70	L2	8711500265951
MASTER PL-R Eco 14W/840/4P 1CT/5X10BOX	A	50	fee relevant	5,70	L2	8711500265982
MASTER PL-R Eco 17W/830/4P 1CT/5X10BOX	A	50	fee relevant	5,70	L2	8711500266019
MASTER PL-R Eco 17W/840/4P 1CT/5X10BOX	A	50	fee relevant	5,70	L2	8711500266040

<sup>1</sup> Product fee relevant according local regulation

## MASTER PL-S 2 Pin



### The original!

MASTER PL-S is an efficient low-wattage compact fluorescent lamp, typically used for decorative and orientation purposes. The original Philips-invented bridge technology guarantees optimum performance in the application, enabling more light and higher efficacy than the bended technology. The 2-pin version is designed for operation on electromagnetic gear and is provided with a plug-in/pull-out lamp base

#### Benefits

- Optimal light performance for short or long operation per switch-on
- Multiple light color choice
- Good color rendering (CRI > 80)

#### Features

- 2-pin base with a housing incorporating the special instant starter and capacitor
- Fluorescent tri-phosphor technology
- Low light depreciation over lamp life

#### Environment

- Good environmental choice because of high energy efficiency, long life and low light output depreciation, lowest mercury content

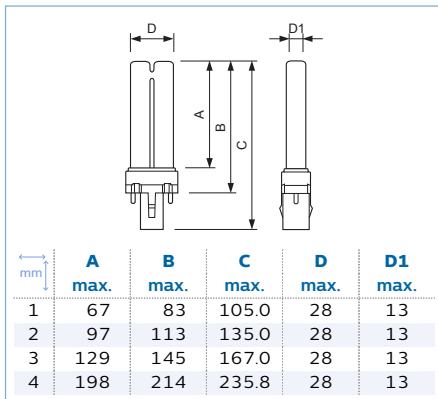
- Compliant with all RoHS and WEEE requirements: the lamps have a very low content of mercury, are lead free and make no use of hazardous flame retardants

#### Application

- Application
- Designed for use in hotels, restaurants, theatres and homes
- Suitable for use in signs, corridors, security and orientation lighting

#### Warnings and Safety

- Use only with electromagnetic control gear
- Lamp light technical and electrical characteristics are influenced by operating conditions, i.e. lamp ambient temperature and operating position
- Dimming is not possible
- A lamp breaking is extremely unlikely to have any impact on your health. If a lamp breaks, ventilate the room for 30 minutes and remove the parts, preferably with gloves. Put them in a sealed plastic bag and take it to your local waste facilities for recycling. Do not use a vacuum cleaner.



## MASTER PL-S /2 Pins G23

Power/Light source color	Colour Rendering Index	Luminous Flux (Rated) (lm)		Life to 10% Failures (h)	Life to 50% Failures (h)	mm	EAN - 1
5W/840	82	259	No	6,500	10,000	1	8711500260482
7W/827	82	405	No	6,500	10,000	2	8711500260574
7W/830	82	405	No	6,500	10,000	2	8711500260628
7W/840	82	405	No	6,500	10,000	2	8711500260659
9W/827	82	583	No	6,500	10,000	3	8711500260796
9W/830	82	583	No	6,500	10,000	3	8711500260840
9W/840	82	583	No	6,500	10,000	3	8711500260871
11W/827	82	893	No	6,500	10,000	4	8711500261014
11W/830	82	893	No	6,500	10,000	4	8711500261069
11W/840	82	893	No	6,500	10,000	4	8711500261090

Commercial product name			National Lamp Fee <sup>1</sup>	Net Trade Price per Piece (€ net)	National Discount Group	EAN - 1
MASTER PL-S 5W/840/2P 1CT/5X10BOX	B	50	fee relevant	2,20	L2	8711500260482
MASTER PL-S 7W/827/2P 1CT/5X10BOX	B	50	fee relevant	2,20	L2	8711500260574
MASTER PL-S 7W/830/2P 1CT/5X10BOX	B	50	fee relevant	2,20	L2	8711500260628
MASTER PL-S 7W/840/2P 1CT/5X10BOX	B	50	fee relevant	2,20	L2	8711500260659
MASTER PL-S 9W/827/2P 1CT/5X10BOX	A	50	fee relevant	2,20	L2	8711500260796
MASTER PL-S 9W/830/2P 1CT/5X10BOX	A	50	fee relevant	2,20	L2	8711500260840
MASTER PL-S 9W/840/2P 1CT/5X10CC	A	50	fee relevant	2,20	L2	8711500260871
MASTER PL-S 11W/827/2P 1CT/5X10BOX	A	50	fee relevant	2,20	L2	8711500261014
MASTER PL-S 11W/830/2P 1CT/5X10BOX	A	50	fee relevant	2,20	L2	8711500261069
MASTER PL-S 11W/840/2P 1CT/5X10BOX	A	50	fee relevant	2,20	L2	8711500261090

<sup>1</sup> Product fee relevant according local regulation



## MASTER PL-S 4 Pin

**The original!**

MASTER PL-S is an efficient low-wattage compact fluorescent lamp, typically used for decorative and orientation purposes. The original Philips-invented bridge technology guarantees optimum performance in the application, enabling more light and higher efficacy than the bended technology. The 4-pin version is designed for operation on electronic gear and is provided with a plug-in/pull-out lamp base.

**Benefits**

- Optimal light performance for short or long operation per switch-on
- Multiple light color choice
- Good color rendering (CRI > 80)
- Dimming possible down to 10%

**Features**

- 4-pin base
- Fluorescent tri-phosphor technology
- Low light depreciation over lamp life

**Environment**

- Good environmental choice because of high energy efficiency, long life and low light output depreciation, lowest mercury content

- Compliant with all RoHS and WEEE requirements: the lamps have a very low content of mercury, are lead free and make no use of radioactive materials and hazardous flame retardants

**Application**



- Designed for use in hotels, restaurants, theatres and homes
- Suitable for use in signs, corridors, security and orientation lighting



**Warnings and Safety**

- Lamp light technical and electrical characteristics are influenced by operating conditions, i. e. lamp ambient temperature and operating position as well as applied HF control gear
- Shorter lamp life when often switching and not well pre-heated electrodes
- A lamp breaking is extremely unlikely to have any impact on your health. If a lamp breaks, ventilate the room for 30 minutes and remove the parts, preferably with gloves. Put them in a sealed plastic bag and take it to your local waste facilities for recycling. Do not use a vacuum cleaner.

mm	A max.	B max.	C max.	D max.	D1 max.
1	66	83	89.1	28	13
2	96	113	119.1	28	13
3	128	145	151.1	28	13
4	196	214	219.9	28	13

## MASTER PL-S /4 Pins 2G7

Lamp power/Light source color	Colour Rendering Index	Luminous Flux (Rated) (lm)	 Life to 10% Failures Preheat (h)	Life to 50% Failures Preheat (h)	 mm	EAN-1	
5.4W/840	80	259	Yes	8,000	13,000	1	8711500260543
7.1W/830	82	405	Yes	8,000	13,000	2	8711500260734
7.1W/840	82	405	Yes	8,000	13,000	2	8711500260765
8.6W/827	82	583	Yes	8,000	13,000	3	8711500260901
8.6W/830	82	583	Yes	8,000	13,000	3	8711500260932
8.6W/840	82	583	Yes	8,000	13,000	3	8711500260963
11.6W/827	82	880	Yes	8,000	13,000	4	8711500261144
11.6W/830	82	900	Yes	8,000	13,000	4	8711500261199
11.6W/840	82	900	Yes	8,000	13,000	4	8711500261229

Commercial product name	 	National Lamp Fee <sup>1</sup>	Net Trade Price per Piece (€ net)	National Discount Group	EAN-1	
MASTER PL-S 5W/840/4P 1CT/5X10BOX	A	50	fee relevant	2,20	L2	8711500260543
MASTER PL-S 7W/830/4P 1CT/5X10BOX	A	50	fee relevant	2,20	L2	8711500260734
MASTER PL-S 7W/840/4P 1CT/5X10BOX	A	50	fee relevant	2,20	L2	8711500260765
MASTER PL-S 9W/827/4P 1CT/5X10BOX	A	50	fee relevant	2,20	L2	8711500260901
MASTER PL-S 9W/830/4P 1CT/5X10BOX	A	50	fee relevant	2,20	L2	8711500260932
MASTER PL-S 9W/840/4P 1CT/5X10BOX	A	50	fee relevant	2,20	L2	8711500260963
MASTER PL-S 11W/827/4P 1CT/5X10BOX	A	50	fee relevant	2,20	L2	8711500261144
MASTER PL-S 11W/830/4P 1CT/5X10BOX	A	50	fee relevant	2,20	L2	8711500261199
MASTER PL-S 11W/840/4P 1CT/5X10BOX	A	50	fee relevant	2,20	L2	8711500261229

<sup>1</sup> Product fee relevant according local regulation

## MASTER PL-C Xtra 2 Pin



### Lowest overall running costs!

This is an efficient compact fluorescent lamp, typically used in general downlights for retail, hospitality and office applications. MASTER PL-C Xtra lamps furthermore provide significantly lower operating costs thanks to their lifetime, which is more than double that of a standard MASTER PL-C lamp, and their very low early failure rate. The original Philips-invented bridge technology guarantees optimum performance in the application, enabling more light and higher efficacy than the bended technology. The 2-pin version is designed for operation on electromagnetic gear and is provided with a plug-in/pull-out lamp base.

### Environment

- Good environmental choice because of long reliable life, high-energy efficiency and lowest mercury content
- Compliant with all RoHS and WEEE requirements: lamps contain very low level of mercury, are lead free and make no use of radioactive materials and hazardous flame retardants

### Application

- Designed for general or supplementary lighting in professional environments
- Recessed or surface-mounted downlighters, wall units, table lamps and pendant lamps
- Suitable for use in applications where maintenance costs are high (high ceilings, difficult to reach): department stores, supermarkets, warehouses, production halls and public areas

### Warnings and Safety

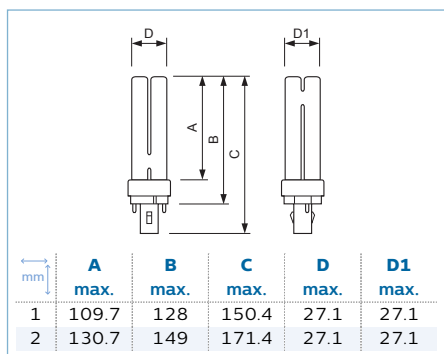
- Use only with electromagnetic control gear
- Lamp light technical and electrical characteristics are influenced by operating conditions, i. e. lamp ambient temperature and operating position
- Dimming is not possible
- A lamp breaking is extremely unlikely to have any impact on your health. If a lamp breaks, ventilate the room for 30 minutes and remove the parts, preferably with gloves. Put them in a sealed plastic bag and take it to your local waste facilities for recycling. Do not use a vacuum cleaner.

### Benefits

- Less hassle and lower maintenance costs and facilitating the change from spot to group replacement
- Optimal light performance for long operation per switch-on
- Multiple light color choice
- Good color rendering (CRI > 80)

### Features

- 2-pin base with a housing incorporating the special instant starter
- Fluorescent tri-phosphor technology
- Extra long lifetime and fewer early failures
- Low light depreciation over lamp life



## MASTER PL-C Xtra /2 Pins

Power/Light source color		Colour Rendering Index	Luminous Flux (Rated) (lm)		Life to 10% Failures (h)	Life to 50% Failures (h)		EAN-1
17W/840		82	1,200	No	12,000	16,000	1	8711500950307
26W/840		82	1,800	No	12,000	16,000	2	8711500898869

Commercial product name			National Lamp Fee <sup>1</sup>	Net Trade Price per Piece (€ net)	National Discount Group	EAN-1
MASTER PL-C Xtra 18W/840/2P 1CT/5X10BOX	B	50	fee relevant	7,20	L2	8711500950307
MASTER PL-C Xtra 26W/840/2P 1CT/5X10BOX	B	50	fee relevant	7,20	L2	8711500898869

<sup>1</sup> Product fee relevant according local regulation

## MASTER PL-C Xtra 4 Pin

**Lowest overall running costs!**

MASTER PL-C Xtra is an efficient compact fluorescent lamp, typically used in general downlights for retail, hospitality and office applications. MASTER PL-C Xtra lamps furthermore provide significantly lower operating costs thanks to their lifetime, which is more than double that of a standard MASTER PL-C lamp, and their very low early failure rate. The original Philips-invented bridge technology guarantees optimum performance in the application, enabling more light and higher efficacy than the bended technology. The 4-pin version is designed for operation on electronic HF control gear with integrated pre-heat and is provided with a plug-in/pull-out lamp base.

**Benefits**

- Less hassle and lower maintenance costs and facilitating the change from spot to group replacement
- Optimal light performance for long operation per switch-on
- Multiple light color choice
- Good color rendering (CRI > 80)
- Dimming possible down to 30%

**Features**

- 4-pin base
- Fluorescent tri-phosphor technology
- Extra long lifetime and less early failures
- Low light depreciation over lamp life

**Environment**

- Good environmental choice because of long reliable life, high-energy efficiency and lowest mercury content
- Compliant with all RoHS and WEEE requirements: lamps contain very low level of mercury, are lead free and make no use of radioactive materials and hazardous flame retardants

**Application**

- Designed for general or supplementary lighting in professional environments
- Recessed or surface-mounted downlighters, wall units, table lamps and pendant lamps
- Suitable for use in applications where maintenance costs are high (high ceilings, difficult to reach): department stores, supermarkets, warehouses, production halls and public areas

**Warnings and Safety**

- Lamp light technical and electrical characteristics are influenced by operating conditions, i.e. lamp ambient temperature and operating position as well as applied HF control gear
- Shorter lamp life when often switching and not well pre-heated electrodes
- A lamp breaking is extremely unlikely to have any impact on your health. If a lamp breaks, ventilate the room for 30 minutes and remove the parts, preferably with gloves. Put them in a sealed plastic bag and take it to your local waste facilities for recycling. Do not use a vacuum cleaner.

mm	A max.	B max.	C max.	D max.	D1 max.
1	109.7	128	142.9	27.1	27.1
2	130.7	149	163.9	27.1	27.1

## MASTER PL-C Xtra /4 Pins

Power/Light source color		Colour Rendering Index	Luminous Flux (Rated) (lm)		Life to 10% Failures Preheat (h)	Life to 50% Failures Preheat (h)		EAN-1
17W/830		>80	1,200	Yes	20,000	33,000	1	8711500950338
17W/840		82	1,200	Yes	20,000	33,000	1	8711500950369
26W/830		>80	1,800	Yes	20,000	33,000	2	8711500898890
26W/840		82	1,800	Yes	20,000	33,000	2	8711500898920

Commercial product name			National Lamp Fee <sup>1</sup>	Net Trade Price per Piece (€ net)	National Discount Group	EAN-1
MASTER PL-C Xtra 18W/830/4P 1CT/5X10BOX	A	50	fee relevant	7,20	L2	8711500950338
MASTER PL-C Xtra 18W/840/4P 1CT/5X10BOX	A	50	fee relevant	7,20	L2	8711500950369
MASTER PL-C Xtra 26W/830/4P 1CT/5X10BOX	A	50	fee relevant	7,20	L2	8711500898890
MASTER PL-C Xtra 26W/840/4P 1CT/5X10BOX	A	50	fee relevant	7,20	L2	8711500898920

<sup>1</sup> Product fee relevant according local regulation



## MASTER PL-C 2 Pin



### 10-15% more efficient!

MASTER PL-C is an efficient medium-wattage compact fluorescent lamp, typically used in general downlights for retail, hospitality and office applications. The original Philips-invented bridge technology guarantees optimum performance in the application, enabling more light and higher efficacy than the bended technology. The 2-pin version is designed for operation on electromagnetic gear and is provided with a plug-in/pull-out lamp base.

#### Benefits

- Optimal light performance for short or long operation per switch-on
- Multiple light color choice
- Good color rendering (CRI > 80)

#### Features

- 2-pin base with a housing incorporating the special instant starter
- Fluorescent tri-phosphor technology
- Low light depreciation over lamp life

#### Environment

- Good environmental choice because of high energy efficiency, long life and low light output depreciation, lowest mercury content

- Compliant with all RoHS and WEEE requirements: the lamps have a very low content of mercury, are lead free and make no use of radioactive materials and hazardous flame retardants

#### Application

- Designed for general or supplementary lighting in professional or home environments
- Recessed or surface-mounted downlighters, wall units, table lamps and pendant lamps

#### Warnings and Safety

- Use only with electromagnetic control gear
- Lamp light technical and electrical characteristics are influenced by operating conditions, i.e. lamp ambient temperature and operating position
- Dimming is not possible
- A lamp breaking is extremely unlikely to have any impact on your health. If a lamp breaks, ventilate the room for 30 minutes and remove the parts, preferably with gloves. Put them in a sealed plastic bag and take it to your local waste facilities for recycling. Do not use a vacuum cleaner.

mm	A max.	B max.	C max.	D max.	D1 max.
1	75.5	95	117.4	27.1	27.1
2	97.5	117	139.4	27.1	27.1
3	109.5	128	150.4	27.1	27.1
4	130.5	149	171.4	27.1	27.1

## MASTER PL-C / 2 Pins

Power/Light source color		Colour Rendering Index	Luminous Flux (Rated) (lm)		Life to 10% Failures (h)	Life to 50% Failures (h)	mm	EAN-1
10W/827	G24D-1	>80	600	No	6,500	10,000	1	8711500706812
10W/830	G24D-1	>80	600	No	6,500	10,000	1	8711500707246
10W/840	G24D-1	82	600	No	6,500	10,000	1	8711500704986
13W/827	G24D-1	83	925	No	6,500	10,000	2	8711500620811
13W/830	G24D-1	82	925	No	6,500	10,000	2	8711500620842
13W/840	G24D-1	82	925	No	6,500	10,000	2	8711500620866
13W/865	G24D-1	80	845	No	6,500	10,000	2	8711500635235
18W/827	G24D-2	82	1,200	No	6,500	10,000	3	8711500620880
18W/830	G24D-2	82	1,200	No	6,500	10,000	3	8711500620910
18W/840	G24D-2	82	1,200	No	6,500	10,000	3	8711500620934
18W/865	G24D-2	82	1,120	No	6,500	10,000	3	8711500635273
26W/827	G24D-3	82	1,800	No	6,500	10,000	4	8711500620958
26W/830	G24D-3	82	1,800	No	6,500	10,000	4	8711500620989
26W/840	G24D-3	82	1,800	No	6,500	10,000	4	8711500621009
26W/865	G24D-3	80	1,740	No	6,500	10,000	4	8711500635310

Commercial product name		National Lamp Fee <sup>1</sup>	Net Trade Price per Piece (€ net)	National Discount Group	EAN-1
MASTER PL-C 10W/827/2P 1CT/5X10BOX	B 50	fee relevant	2,80	L2	8711500706812
MASTER PL-C 10W/830/2P 1CT/5X10BOX	B 50	fee relevant	2,80	L2	8711500707246
MASTER PL-C 10W/840/2P 1CT/5X10BOX	B 50	fee relevant	2,80	L2	8711500704986
MASTER PL-C 13W/827/2P 1CT/5X10BOX	A 50	fee relevant	2,80	L2	8711500620811
MASTER PL-C 13W/830/2P 1CT/5X10BOX	A 50	fee relevant	2,80	L2	8711500620842
MASTER PL-C 13W/840/2P 1CT/5X10BOX	A 50	fee relevant	2,80	L2	8711500620866
MASTER PL-C 13W/865/2P 1CT/5X10BOX	B 50	fee relevant	2,80	L2	8711500635235
MASTER PL-C 18W/827/2P 1CT/5X10BOX	B 50	fee relevant	2,90	L2	8711500620880
MASTER PL-C 18W/830 /2P 1CT/5X10BOX	B 50	fee relevant	2,90	L2	8711500620910
MASTER PL-C 18W/840/2P 1CT/5X10BOX	B 50	fee relevant	2,90	L2	8711500620934
MASTER PL-C 18W/865/2P 1CT/5X10BOX	B 50	fee relevant	2,90	L2	8711500635273
MASTER PL-C 26W/827/2P 1CT/5X10BOX	B 50	fee relevant	2,90	L2	8711500620958
MASTER PL-C 26W/830/2P 1CT/5X10BOX	B 50	fee relevant	2,90	L2	8711500620989
MASTER PL-C 26W/840/2P 1CT/5X10BOX	B 50	fee relevant	2,90	L2	8711500621009
MASTER PL-C 26W/865/2P 1CT/5X10BOX	B 50	fee relevant	2,90	L2	8711500635310

<sup>1</sup> Product fee relevant according local regulation





## MASTER PL-C 4 Pin



### 10-15% more efficient!

MASTER PL-C is an efficient medium-wattage compact fluorescent lamp, typically used in general downlights for retail, hospitality and office applications. The original Philips-invented bridge technology guarantees optimum performance in the application, enabling more light and higher efficacy than the bended technology. The 4-pin version is designed for operation on electronic HF control gear with integrated pre-heat and is provided with a plug-in/pull-out lamp base.

#### Benefits

- Optimal light performance for short or long operation per switch-on
- Multiple light color choice
- Good color rendering (CRI > 80)
- Dimming possible down to 10%

#### Features

- 4-pin base
- Fluorescent tri-phosphor technology
- Low light depreciation over lamp life

#### Environment

- Good environmental choice because of high energy efficiency, long life and low light output depreciation, lowest mercury content

- Compliant with all RoHS and WEEE requirements: the lamps have a very low content of mercury, are lead free and make no use of radioactive materials and hazardous flame retardants

#### Application

- Designed for general or supplementary lighting in professional or home environments
- Recessed or surface-mounted downlighters, wall units, table lamps and pendant lamps

#### Warnings and Safety

- Lamp light technical and electrical characteristics are influenced by operating conditions, i.e. lamp ambient temperature and operating position as well as applied HF control gear
- Shorter lamp life when often switching and not well pre-heated electrodes
- A lamp breaking is extremely unlikely to have any impact on your health. If a lamp breaks, ventilate the room for 30 minutes and remove the parts, preferably with gloves. Put them in a sealed plastic bag and take it to your local waste facilities for recycling. Do not use a vacuum cleaner.

mm	A max.	B max.	C max.	D max.	D1 max.
1	75.5	95	109.9	27.1	27.1
2	97.5	117	131.9	27.1	27.1
3	109.5	128	142.9	27.1	27.1
4	130.5	149	163.9	27.1	27.1

## MASTER PL-C /4 Pins

Power/Light source color	Colour Rendering Index	Luminous Flux (Rated)	Life to 10% Failures Preheat	Life to 50% Failures Preheat	mm	EAN-1
		(lm)	(h)	(h)		
10W/830	G24Q-1	600	8,000	13,000	1	8711500623294
10W/840	G24Q-1	600	8,000	13,000	1	8711500623300
13.4W/827	G24Q-1	925	8,000	13,000	2	8711500623263
13.4W/830	G24Q-1	900	8,000	13,000	2	8711500623317
13.4W/840	G24Q-1	925	8,000	13,000	2	8711500623324
18W/827	G24Q-2	1,200	8,000	13,000	3	8711500623270
18W/830	G24Q-2	1,200	8,000	13,000	3	8711500623331
18W/840	G24Q-2	1,200	8,000	13,000	3	8711500623348
26W/827	G24Q-3	1,800	8,000	13,000	4	8711500623287
26W/830	G24Q-3	1,800	8,000	13,000	4	8711500623355
26W/840	G24Q-3	1,800	8,000	13,000	4	8711500623362

Commercial product name	National Lamp Fee <sup>1</sup>	Net Trade Price per Piece	National Discount Group	EAN-1
		(€ net)		
MASTER PL-C 10W/830/4P 1CT/5X10BOX	A 50	fee relevant	L2	8711500623294
MASTER PL-C 10W/840/4P 1CT/5X10BOX	A 50	fee relevant	L2	8711500623300
MASTER PL-C 13W/827/4P 1CT/5X10BOX	A 50	fee relevant	L2	8711500623263
MASTER PL-C 13W/830/4P 1CT/5X10BOX	A 50	fee relevant	L2	8711500623317
MASTER PL-C 13W/840/4P 1CT/5X10BOX	A 50	fee relevant	L2	8711500623324
MASTER PL-C 18W/827/4P 1CT/5X10BOX	A 50	fee relevant	L2	8711500623270
MASTER PL-C 18W/830/4P 1CT/5X10BOX	A 50	fee relevant	L2	8711500623331
MASTER PL-C 18W/840/4P 1CT/5X10BOX	A 50	fee relevant	L2	8711500623348
MASTER PL-C 26W/827/4P 1CT/5X10BOX	A 50	fee relevant	L2	8711500623287
MASTER PL-C 26W/830/4P 1CT/5X10BOX	A 50	fee relevant	L2	8711500623355
MASTER PL-C 26W/840/4P 1CT/5X10BOX	A 50	fee relevant	L2	8711500623362

<sup>1</sup> Product fee relevant according local regulation

## MASTER PL-T 2 Pin



### Widest product range in the world!

MASTER PL-T is an efficient compact fluorescent lamp, typically used in general downlights for retail, hospitality and office applications demanding higher lighting levels. The original Philips-invented bridge technology guarantees optimum performance in the application, enabling more light and higher efficacy than the bended technology. The 2-pin version is designed for operation on electromagnetic gear and is provided with a plug-in/pull-out lamp base.

#### Benefits

- Optimal light performance for short or long operation per switch-on
- Substantially more light (about 15% more) per light point than with other similar shapes
- Multiple light color choice
- Good color rendering (CRI > 80)

#### Features

- 2-pin base with a housing incorporating the special instant starter and capacitor
- Philips' bridging technology applied
- Fluorescent tri-phosphor technology
- Low light depreciation over lamp life
- Fast light run-up

#### Environment

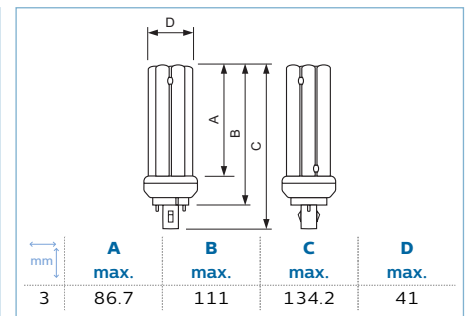
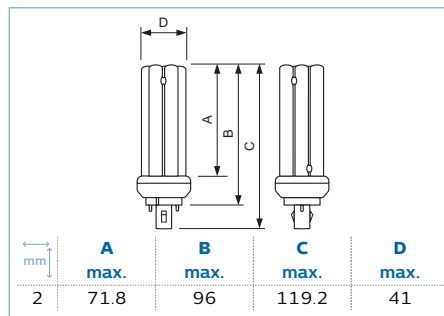
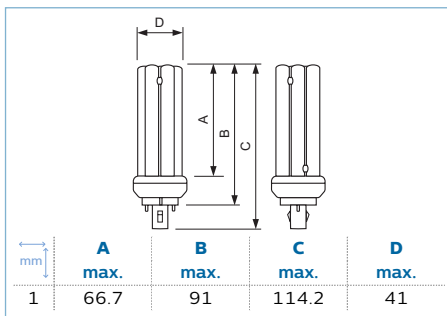
- Good environmental choice because of high energy efficiency, long life and low light output depreciation, lowest mercury content
- Compliant with all RoHS and WEEE requirements: the lamps have a very low content of mercury, are lead free and make no use of radioactive materials and hazardous flame retardants

#### Application

- Designed for general or supplementary lighting in professional and semi-professional environments
- Ideal for use in recessed or surface mounted downlighters, wall units

#### Warnings and Safety

- Use only with electromagnetic control gear
- Lamp light technical and electrical characteristics are influenced by operating conditions, i.e. lamp ambient temperature and operating position
- Dimming is not possible
- A lamp breaking is extremely unlikely to have any impact on your health. If a lamp breaks, ventilate the room for 30 minutes and remove the parts, preferably with gloves. Put them in a sealed plastic bag and take it to your local waste facilities for recycling. Do not use a vacuum cleaner.



## MASTER PL-T / 2 Pins

Power/Light source color		Colour Rendering Index	Luminous Flux (Rated)		Life to 10% Failures	Life to 50% Failures	mm	EAN-1
			(lm)		(h)	(h)		
13W/840	GX24D-1	82	850	No	6,500	10,000	1	8711500559739
18W/830	GX24D-2	>80	1,200	No	6,500	10,000	2	8711500610508
18W/840	GX24D-2	82	1,200	No	6,500	10,000	2	8711500610614
26W/830	GX24D-3	>80	1,725	No	6,500	10,000	3	8711500611024
26W/840	GX24D-3	82	1,725	No	6,500	10,000	3	8711500611130

Commercial product name		National Lamp Fee <sup>1</sup>	Net Trade Price per Piece	National Discount Group	EAN-1
			(€ net)		
Z MASTER PL-T 13W/840/2P 1CT/5X10BOX	B 50	fee relevant	4,90	L2	8711500559739
MASTER PL-T 18W/830/2P 1CT/5X10BOX	B 50	fee relevant	4,90	L2	8711500610508
MASTER PL-T 18W/840/2P 1CT/5X10BOX	B 50	fee relevant	4,90	L2	8711500610614
MASTER PL-T 26W/830/2P 1CT/5X10BOX	B 50	fee relevant	4,90	L2	8711500611024
MASTER PL-T 26W/840/2P 1CT/5X10BOX	B 50	fee relevant	4,90	L2	8711500611130

<sup>1</sup> Product fee relevant according local regulation

Z = available until stock lasts

## MASTER PL-T 4 Pin



### Widest product range in the world!

MASTER PL-T is an efficient compact fluorescent lamp, typically used in general downlights for retail, hospitality and office applications demanding higher lighting levels. The original Philips-invented bridge technology guarantees optimum performance in the application, enabling more light and higher efficacy than the bended technology. The 4-pin version is designed for operation on electronic gear and is provided with a plug-in/pull-out lamp base.

#### Benefits

- Optimal light performance for short or long operation per switch-on
- Substantially more light (about 15% more) per light point than with other similar shapes
- Multiple light color choice
- Good color rendering (CRI > 80)
- Dimming possible down to 10%

#### Features

- 4-pin base
- Philips' bridging technology applied
- Fluorescent tri-phosphor technology
- Low light depreciation over lamp life
- Fast light run-up

#### Environment

- Good environmental choice because of high energy efficiency, long life and low light output depreciation, lowest mercury content

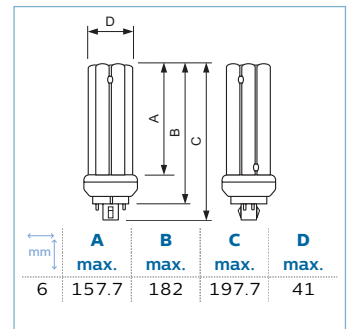
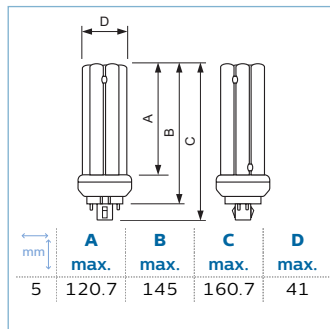
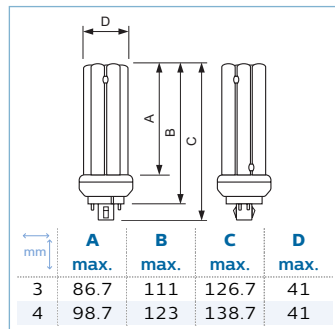
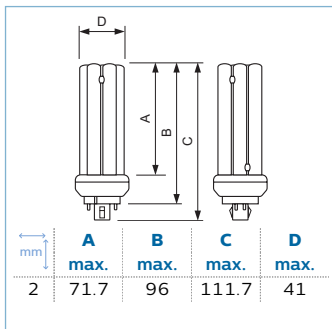
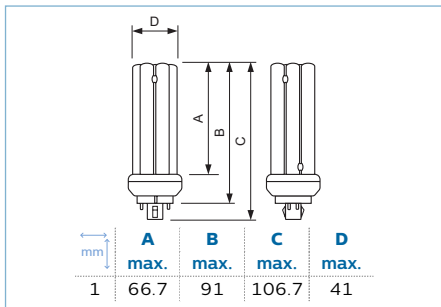
- Compliant with all RoHS and WEEE requirements: the lamps have a very low content of mercury, are lead free and make no use of radioactive materials and hazardous flame retardants

#### Application

- Designed for general or supplementary lighting in professional and semi-professional environments
- Ideal for use in recessed or surface mounted downlighters, wall units, outdoor lighting
- First choice for short switching cycles, emergency lighting and deep dimming

#### Warnings and Safety



- Lamp light technical and electrical characteristics are influenced by operating conditions, i.e. lamp ambient temperature and operating position as well as applied HF control gear
- Shorter lamp life when often switching and not well pre-heated electrodes
- A lamp breaking is extremely unlikely to have any impact on your health. If a lamp breaks, ventilate the room for 30 minutes and remove the parts, preferably with gloves. Put them in a sealed plastic bag and take it to your local waste facilities for recycling. Do not use a vacuum cleaner.



## MASTER PL-T / 4 Pins

Power/Light source color		Colour Rendering Index	Luminous Flux (Rated) (lm)		Life to 10% Failures Preheat (h)	Life to 50% Failures Preheat (h)	mm	EAN-1
13W/840	GX24Q-1	82	850	Yes	8,000	13,000	1	8711500610478
18W/830	GX24Q-2	>80	1,200	Yes	8,000	13,000	2	8711500610768
18W/840	GX24Q-2	82	1,200	Yes	8,000	13,000	2	8711500610997
26W/830	GX24Q-3	>80	1,725	Yes	8,000	13,000	3	8711500611208
26W/840	GX24Q-3	82	1,725	Yes	8,000	13,000	3	8711500611253
32W/827	GX24Q-3	82	2,400	Yes	8,000	13,000	4	8711500559968
32W/830	GX24Q-3	>80	2,400	Yes	8,000	13,000	4	8711500611284
32W/840	GX24Q-3	82	2,400	Yes	8,000	13,000	4	8711500611314
42W/827	GX24Q-4	82	3,050	Yes	8,000	13,000	5	8711500560025
42W/830	GX24Q-4	>80	3,050	Yes	8,000	13,000	5	8711500611345
42W/840	GX24Q-4	82	3,050	Yes	8,000	13,000	5	8711500611376
57W/830	GX24Q-5	>80	4,200	Yes	8,000	13,000	6	8711500611406
57W/840	GX24Q-5	82	4,200	Yes	8,000	13,000	6	8711500611451



Commercial product name			National Lamp Fee <sup>1</sup>	Net Trade Price per Piece (€ net)	National Discount Group	EAN-1
Z MASTER PL-T 13W/840/4P 1CT/5X10BOX	A	50	fee relevant	4,90	L2	8711500610478
MASTER PL-T 18W/830/4P 1CT/5X10BOX	A	50	fee relevant	4,90	L2	8711500610768
MASTER PL-T 18W/840/4P 1CT/5X10BOX	A	50	fee relevant	4,90	L2	8711500610997
MASTER PL-T 26W/830/4P 1CT/5X10BOX	A	50	fee relevant	4,90	L2	8711500611208
MASTER PL-T 26W/840/4P 1CT/5X10BOX	A	50	fee relevant	4,90	L2	8711500611253
MASTER PL-T 32W/840/4P 1CT/5X10BOX	A	50	fee relevant	5,10	L2	8711500559968
MASTER PL-T 32W/830/4P 1CT/5X10BOX	A	50	fee relevant	5,10	L2	8711500611284
MASTER PL-T 32W/840/4P 1CT/5X10BOX	A	50	fee relevant	5,10	L2	8711500611314
MASTER PL-T 42W/827/4P 1CT/5X10BOX	A	50	fee relevant	5,10	L2	8711500560025
MASTER PL-T 42W/830/4P 1CT/5X10BOX	A	50	fee relevant	5,10	L2	8711500611345
MASTER PL-T 42W/840/4P 1CT/5X10BOX	A	50	fee relevant	5,10	L2	8711500611376
MASTER PL-T 57W/830/4P 1CT/5X10BOX	A	50	fee relevant	11,30	L2	8711500611406
MASTER PL-T 57W/840/4P 1CT/5X10BOX	A	50	fee relevant	11,30	L2	8711500611451

<sup>1</sup> Product fee relevant according local regulation

Z = available until stock lasts

04



## MASTER PL-T TOP 4 Pin

**Most reliable technology!**

MASTER PL-T TOP is an efficient compact fluorescent lamp, typically used in general downlights for retail, hospitality and office applications demanding higher lighting levels. The Philips amalgam technology guarantees optimum performance in applications with a wide temperature range, enabling significantly higher output and efficacy levels. The 4-pin version is designed for operation on electronic gear and is provided with a plug-in/pull-out lamp base.

**Benefits**

- Optimized lighting performance over a broad temperature range due to Philips amalgam technology
- Hot restrike; moderate light run-up after cooling-down at low temperatures
- Multiple light color choice
- Good color rendering (CRI > 80)
- Dimming possible down to 30%

**Features**

- 4-pin base
- Philips amalgam technology applied
- Fluorescent tri-phosphor technology
- Low light depreciation over lamp life

**Environment**

- Good environmental choice because of high energy efficiency, long life and low light output depreciation, low mercury content.

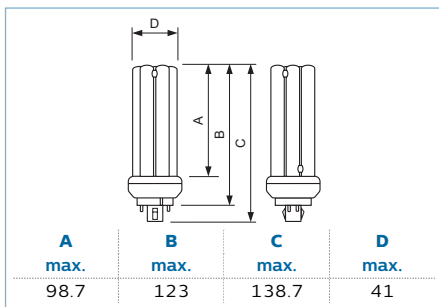
- Compliant with all RoHS and WEEE requirements: the lamps have a low content of mercury, are lead free and make no use of radioactive materials and hazardous flame retardants.

**Application**

- Designed for general or supplementary lighting in professional and semi-professional environments
- Ideal for use in recessed or surface mounted downlighters, wall units
- First choice for long switching cycles and highest light output

**Warnings and Safety**

- Lamp light technical and electrical characteristics are influenced by operating conditions, i.e. lamp ambient temperature and operating position as well as applied HF control gear
- Shorter lamp life when often switching and not well pre-heated electrodes
- A lamp breaking is extremely unlikely to have any impact on your health. If a lamp breaks, ventilate the room for 30 minutes and remove the parts, preferably with gloves. Put them in a sealed plastic bag and take it to your local waste facilities for recycling. Do not use a vacuum cleaner.



## MASTER PL-T TOP /4 Pins GX24Q-3

Power/Light source color	Colour Rendering Index	Luminous Flux (Rated)		Life to 10% Failures Preheat	Life to 50% Failures Preheat	EAN-1
		(lm)		(h)	(h)	
32W/840	82	2,400	Yes	8,000	13,000	8711500560261

Commercial product name			National Lamp Fee <sup>1</sup>	Net Trade Price per Piece	National Discount Group	EAN-1
				(€ net)		
MASTER PL-T TOP 32W/840/4P 1CT/5X10BOX	A	50	fee relevant	5,91	L2	8711500560261

<sup>1</sup> Product fee relevant according local regulation

## MASTER PL-T Xtra 4 Pin



### Lowest overall running costs and highest output!

MASTER PL-T Xtra is an efficient compact fluorescent lamp, typically used in general downlights for retail, hospitality and office applications demanding higher lighting levels. MASTER PL-T Xtra lamps furthermore provide significantly lower operating costs thanks to their lifetime, which is more than double that of a standard MASTER PL-T lamp, and their very low early failure rate. The original Philips-invented bridge technology guarantees optimum performance in the application, enabling more light and higher efficacy than the bended technology. The 4-pin version is designed for operation on electronic gear and is provided with a plug-in/pull-out lamp base.

### Environment

- Good environmental choice because of long reliable life, high-energy efficiency and lowest mercury content
- Compliant with all RoHS and WEEE requirements: lamps contain very low level of mercury, are lead free and make no use of radioactive materials and hazardous flame retardants

### Application

- Designed for general or supplementary lighting in professional and semi-professional environments
- Ideal for use in recessed or surface mounted downlighters, wall units, outdoor lighting
- Suitable for use in applications where maintenance costs are high (high ceilings, difficult to reach): department stores, supermarkets, warehouses, production halls and public areas

### Warnings and Safety

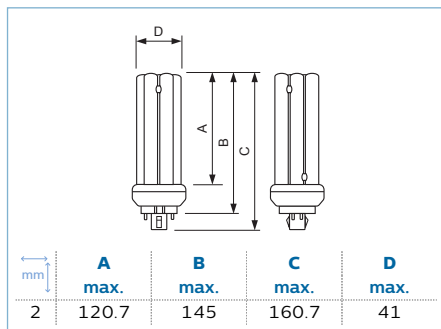
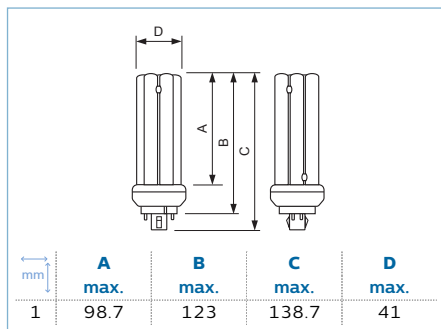
- Lamp light technical and electrical characteristics are influenced by operating conditions, i.e. lamp ambient temperature and operating position as well as applied HF control gear
- Shorter lamp life when often switching and not well pre-heated electrodes
- A lamp breaking is extremely unlikely to have any impact on your health. If a lamp breaks, ventilate the room for 30 minutes and remove the parts, preferably with gloves. Put them in a sealed plastic bag and take it to your local waste facilities for recycling. Do not use a vacuum cleaner.

### Benefits

- Extra long life
- Longer lifetime and less early failures lead to less hassle and lower maintenance costs and facilitate the change from spot to group replacement
- Optimal light performance for long operation per switch-on
- More light (about 15% more) per light point than common

### Features

- 4-pin base
- Philips bridging technology applied
- Extra long lifetime and less early failures
- Fluorescent tri-phosphor technology
- Low light depreciation over lamp life
- Fast light run-up



## MASTER PL-T Xtra /4 Pins

Power/Light source color		Colour Rendering Index	Luminous Flux (Rated)		Life to 10% Failures Preheat	Life to 50% Failures Preheat		EAN-1
			(lm)		(h)	(h)	mm	
32W/840	GX24Q-3	82	2,400	Yes	20,000	33,000	1	8711500897435
42W/840	GX24Q-4	82	3,050	Yes	20,000	33,000	2	8711500897497

Commercial product name			National Lamp Fee <sup>1</sup>	Net Trade Price per Piece	National Discount Group	EAN-1
				(€ net)		
MASTER PL-T Xtra 32W/840/4P 1CT/5X10BOX	A	50	fee relevant	12.80	L2	8711500897435
MASTER PL-T Xtra 42W/840/4P 1CT/5X10BOX	A	50	fee relevant	12.80	L2	8711500897497

<sup>1</sup> Product fee relevant according local regulation





## MASTER PL-L 4 Pin

**The most reliable!**

MASTER PL-L is a medium to high-wattage linear compact fluorescent lamp, typically used for general-illumination ceiling luminaires in retail, hospitality and office applications demanding higher lighting levels. The original Philips-invented bridge technology guarantees optimum performance in the application, enabling more light and higher efficacy than the bended technology. It is designed for operation on electromagnetic as well as electronic HF control gear and is provided with a plug-in/pull-out lamp base.

**Benefits**

- Optimal light performance for short or long operation per switch-on
- Long life and sustainable light output
- Multiple light color choice
- Good color rendering (CRI > 80)
- Dimming possible down to 10%

**Features**

- 4-pin base
- Fluorescent tri-phosphor technology
- Low light depreciation over lamp life

**Environment**

- Good environmental choice because of high energy efficiency, long life and low light output depreciation, lowest mercury content
- Compliant with all RoHS and WEEE requirements: the lamps have a very low content of mercury, are lead free and make no use of radioactive materials and hazardous flame retardants

**Application**

- Designed for general lighting in shops, offices, hotels and specific task lighting, as well as outdoors in residential areas and parks

**Warnings and Safety**

- Lamp light technical and electrical characteristics are influenced by operating conditions, i.e. lamp ambient temperature and operating position as well as applied control gear
- Shorter lamp life when often switching and not well pre-heated electrodes
- A lamp breaking is extremely unlikely to have any impact on your health. If a lamp breaks, ventilate the room for 30 minutes and remove the parts, preferably with gloves. Put them in a sealed plastic bag and take it to your local waste facilities for recycling. Do not use a vacuum cleaner.

mm	A max.	B max.	C max.	D max.	D1 max.
1	194.2	220	226.6	39	18
2	289.2	315	321.6	39	18
3	384.2	410	416.6	39	18
4	509.2	535	541.6	39	18
5	539.2	565	571.6	39	18

## MASTER PL-L /4 Pins 2G11

Power/Light source color	Colour Rendering Index	Luminous Flux (Rated) (lm)		Life to 10% Failures Preheat (h)	Life to 50% Failures Preheat (h)	Life to 10% Failures (h)	Life to 50% Failures (h)	mm	EAN-1
18W/827	82	1,200	Yes	14,000	20,000	10,000	15,000	1	8711500706676
18W/830	>80	1,200	Yes	14,000	20,000	10,000	15,000	1	8711500706683
18W/840	82	1,200	Yes	14,000	20,000	10,000	15,000	1	8711500706690
18W/865	80	1,170	Yes	14,000	20,000	10,000	15,000	1	8711500635143
24W/827	82	1,800	Yes	14,000	20,000	10,000	15,000	2	8711500706706
24W/830	>80	1,800	Yes	14,000	20,000	10,000	15,000	2	8711500706713
24W/840	82	1,800	Yes	14,000	20,000	10,000	15,000	2	8711500706720
24W/865	80	1,750	Yes	14,000	20,000	10,000	15,000	2	8711500635174
36W/827	82	2,900	Yes	14,000	20,000	10,000	15,000	3	8711500706737
36W/830	>80	2,900	Yes	14,000	20,000	10,000	15,000	3	8711500706744
36W/840	82	2,900	Yes	14,000	20,000	10,000	15,000	3	8711500706751
36W/865	80	2,880	Yes	14,000	20,000	10,000	15,000	3	8711500635204
40W/830	>80	3,500	Yes	14,000	20,000			4	8711500610942
40W/840	82	3,500	Yes	14,000	20,000			4	8711500610973
55W/830	>80	4,800	Yes	14,000	20,000			4	8711500615411
55W/840	82	4,800	Yes	14,000	20,000			4	8711500615428
55W/865	80	4,800	Yes	14,000	20,000			4	8711500261700
80W/830	>80	6,000	Yes	14,000	20,000			5	8711500867087
80W/840	82	6,000	Yes	14,000	20,000			5	8711500867124

Commercial product name			National Lamp Fee <sup>1</sup>	Net Trade Price per Piece (€ net)	National Discount Group	EAN-1
MASTER PL-L 18W/827/4P 1CT/25	A	25	fee relevant	3,30	L2	8711500706676
MASTER PL-L 18W/830/4P 1CT/25	A	25	fee relevant	3,30	L2	8711500706683
MASTER PL-L 18W/840/4P 1CT/25	A	25	fee relevant	3,30	L2	8711500706690
MASTER PL-L 18W/865/4P 1CT/25	A	25	fee relevant	3,30	L2	8711500635143
MASTER PL-L 24W/827/4P 1CT/25	A	25	fee relevant	3,30	L2	8711500706706
MASTER PL-L 24W/830/4P 1CT/25	A	25	fee relevant	3,30	L2	8711500706713
MASTER PL-L 24W/840/4P 1CT/25	A	25	fee relevant	3,30	L2	8711500706720
MASTER PL-L 24W/865/4P 1CT/25	A	25	fee relevant	3,30	L2	8711500635174

More data see next page



Commercial product name			National Lamp Fee <sup>1</sup>	Net Trade Price per Piece (€ net)	National Discount Group	EAN-1
MASTER PL-L 36W/827/4P 1CT/25	A	25	fee relevant	3,30	L2	8711500706737
MASTER PL-L 36W/830/4P 1CT/25	A	25	fee relevant	3,30	L2	8711500706744
MASTER PL-L 36W/840/4P 1CT/25	A	25	fee relevant	3,30	L2	8711500706751
MASTER PL-L 36W/865/4P 1CT/25	A	25	fee relevant	3,30	L2	8711500635204
MASTER PL-L 40W/830/4P 1CT/25	A+	25	fee relevant	3,90	L2	8711500610942
MASTER PL-L 40W/840/4P 1CT/25	A+	25	fee relevant	3,90	L2	8711500610973
MASTER PL-L 55W/830/4P 1CT/25	A	25	fee relevant	4,80	L2	8711500615411
MASTER PL-L 55W/840/4P 1CT/25	A	25	fee relevant	4,80	L2	8711500615428
MASTER PL-L 55W/865/4P 1CT/25	A	25	fee relevant	4,80	L2	8711500261700
MASTER PL-L 80W/830/4P 1CT/25	A	25	fee relevant	5,70	L2	8711500867087
MASTER PL-L 80W/840/4P 1CT/25	A	25	fee relevant	5,70	L2	8711500867124

<sup>1</sup> Product fee relevant according local regulation

04



## MASTER PL-L Polar 4 Pin



### Optimized for lower temperatures!

MASTER PL-L Polar is a medium to high-wattage linear compact fluorescent lamp, typically used for lower-temperature applications such as outdoor lighting and cold storage. The original Philips-invented bridge technology guarantees optimum performance in the lower-temperature applications. It is designed for operation on electromagnetic as well as electronic HF control gear and is provided with a plug-in/pull-out lamp base.

#### Benefits

- Optimal light performance for short or long operation per switch-on for lower temperature applications
- Long life and sustainable light output
- Multiple light color choice
- Good color rendering (CRI > 80)
- Dimming possible down to 10%

#### Features

- 4-pin base
- Fluorescent tri-phosphor technology
- Low light depreciation over lamp life

#### Environment

- Good environmental choice because of high energy efficiency, long life and low light output depreciation, lowest mercury content

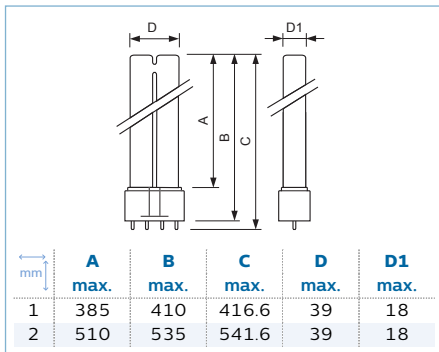
- Compliant with all RoHS and WEEE requirements: the lamps have a very low content of mercury, are lead free and make no use of radioactive materials and hazardous flame retardants

#### Application

- Residential areas, parks and squares, under canopies in storage and transport areas
- Cold indoor areas (e. g. warehouses, food cold stores)
- Light output at low temperatures can be increased even further by applying a transparent heat cap around the top of the lamp

#### Warnings and Safety

- Lamp light technical and electrical characteristics are influenced by operating conditions, i. e. lamp ambient temperature and operating position as well as applied control gear
- Shorter lamp life when often switching and not well pre-heated electrodes
- A lamp breaking is extremely unlikely to have any impact on your health. If a lamp breaks, ventilate the room for 30 minutes and remove the parts, preferably with gloves. Put them in a sealed plastic bag and take it to your local waste facilities for recycling. Do not use a vacuum cleaner.



## MASTER PL-L Polar /4 Pins 2G11

Power/Light source color	Colour Rendering Index	Luminous Flux (Rated) (lm)		Life to 10% Failures Preheat (h)	Life to 50% Failures Preheat (h)	Life to 10% Failures (h)	Life to 50% Failures (h)	mm	EAN-1
36W/840	82	2,900	Yes	14,000	20,000	10,000	15,000	1	8711500261601
55W/840	82	4,800	Yes	14,000	20,000			2	8711500261649

Commercial product name			National Lamp Fee <sup>1</sup>	Net Trade Price per Piece (€ net)	National Discount Group	EAN-1
MASTER PL-L Polar 36W/840/4P 1CT/25	A	25	fee relevant	4,63	L2	8711500261601
MASTER PL-L Polar 55W/840/4P 1CT/25	A	25	fee relevant	4,80	L2	8711500261649

<sup>1</sup> Product fee relevant according local regulation

## MASTER PL-L Xtra 4 Pin



### For ultimate reliability!

MASTER PL-L Xtra is a medium to high-wattage linear compact fluorescent lamp, typically used for general-illumination ceiling luminaires in retail, hospitality and office applications demanding higher lighting levels. MASTER PL-L Xtra lamps furthermore provide significantly lower operating costs thanks to their lifetime, which is more than double that of a standard MASTER PL-L lamp, and their very low early failure rate. The original Philips-invented bridge technology guarantees optimum performance in the application, enabling more light and higher efficacy than the bended technology. It is designed for operation on electromagnetic as well as HF electronic gear and is provided with a plug-in/pull-out lamp base.

### Benefits

- Less hassle and lower maintenance costs and facilitating the change from spot to group replacement
- Optimal light performance for long operation per switch-on
- Multiple light color choice
- Good color rendering (CRI > 80)
- Dimming possible down to 30%

### Features

- 4-pin base
- Extra long lifetime and less early failures
- Fluorescent tri-phosphor technology
- Low light depreciation over lamp life

### Environment

- Good environmental choice because of long reliable life, high-energy efficiency and lowest mercury content
- Compliant with all RoHS and WEEE requirements: lamps contain very low level of mercury, are lead free and make no use of radioactive materials and hazardous flame retardants

### Application


- Designed for general lighting in shops, offices, hotels and specific task lighting, as well as outdoors in residential areas and parks
- Suitable for use in applications where maintenance costs are high (high ceilings, difficult to reach): department stores, supermarkets, warehouses, production halls, tunnels and public areas



### Warnings and Safety

- Lamp light technical and electrical characteristics are influenced by operating conditions, i.e. lamp ambient temperature and operating position as well as applied control gear
- Shorter lamp life when often switching and not well pre-heated electrodes
- A lamp breaking is extremely unlikely to have any impact on your health. If a lamp breaks, ventilate the room for 30 minutes and remove the parts, preferably with gloves. Put them in a sealed plastic bag and take it to your local waste facilities for recycling. Do not use a vacuum cleaner.

mm	A max.	B max.	C max.	D max.	D1 max.
1	290.0	315	321.6	39	18
2	384.2	410	416.6	39	18
3	509.2	535	541.6	39	18

## MASTER PL-L Xtra /4 Pins 2G11

Power/Light source color	Colour Rendering Index	Luminous Flux (Rated) (lm)		Life to 10% Failures Preheat (h)	Life to 50% Failures Preheat (h)	Life to 10% Failures (h)	Life to 50% Failures (h)	mm	EAN-1
24W/840	82	1,800	Yes	25,000	36,000	14,000	21,000	1	8711500267702
36W/840	82	2,900	Yes	25,000	36,000	14,000	21,000	2	8711500897602
55W/840	82	4,800	Yes	25,000	36,000			3	8711500897640

Commercial product name			National Lamp Fee <sup>1</sup>	Net Trade Price per Piece (€ net)	National Discount Group	EAN-1
MASTER PL-L XTRA 24W/840/4P 1CT/25	A	25	fee relevant	7,00	L2	8711500267702
MASTER PL-L Xtra 36W/840/4P 1CT/25	A	25	fee relevant	7,00	L2	8711500897602
MASTER PL-L Xtra 55W/840/4P 1CT/25	A	25	fee relevant	7,91	L2	8711500897640

<sup>1</sup> Product fee relevant according local regulation



## PL-Q 2 Pin

**The alternative!**

PL-Q is an efficient, square-shaped compact fluorescent lamp, typically used in decorative-lighting luminaires. While offering the advantage of energy-efficient operation, it also provides design freedom for flat ceiling or wall fixtures in particular, due to its low built-in height and uniform spread of light. The 2-pin version is designed for operation on electromagnetic gear.

**Benefits**

- Low built-in height
- Multiple light color choice
- Good color rendering (CRI > 80)

**Features**

- 2-pin base with a housing incorporating the special instant starter and capacitor

- Fluorescent tri-phosphor technology

**Application**

- Ideal for applications such as corridors, toilets, stairwells and reception areas

**Warnings and Safety**

- Use only with electromagnetic control gear
- Lamp light technical and electrical characteristics are influenced by operating conditions, i.e. lamp ambient temperature and operating position
- Dimming is not possible
- A lamp breaking is extremely unlikely to have any impact on your health. If a lamp breaks, ventilate the room for 30 minutes and remove the parts, preferably with gloves. Put them in a sealed plastic bag and take it to your local waste facilities for recycling. Do not use a vacuum cleaner.

mm	C	C1	D	D1	E	F	U
	max.	max.	max.	max.	max.	max.	max.
1	138	49	13.7	27	135	40.5	40.0
2	203	76	18.9	33	200	41.0	46.5

## PL-Q /2 Pins GR8

Power/Light source color	Colour Rendering Index	Luminous Flux (Rated) (lm)	Life to 10% Failures (h)	Life to 50% Failures (h)	EAN - 1		
						mm	
16W/827	82	1,050	No	6,000	8,000	1	8711500269652
16W/830	82	1,050	No	6,000	8,000	1	8711500269874
16W/835	82	1,050	No	6,000	8,000	1	8711500269669
28W/827	82	2,050	No	6,000	8,000	2	8711500274540
28W/830	82	2,050	No	6,000	8,000	2	8711500274557

Commercial product name	National Lamp Fee <sup>1</sup>	Net Trade Price per Piece (€ net)	National Discount Group	EAN - 1
PL-Q 16W/827/2P 1CT/10BOX	B 10	fee relevant	L2	8711500269652
PL-Q 16W/830/2P 1CT/10BOX	B 10	fee relevant	L2	8711500269874
PL-Q 16W/835/2P 1CT/10BOX	B 10	fee relevant	L2	8711500269669
PL-Q 28W/827/2P 1CT/10BOX	A 10	fee relevant	L2	8711500274540
PL-Q 28W/830/2P 1CT/10BOX	A 10	fee relevant	L2	8711500274557

<sup>1</sup> Product fee relevant according local regulation

## PL-Q 4 Pin

**The alternative!**

PL-Q is an efficient, square-shaped compact fluorescent lamp, typically used in decorative-lighting luminaires. While offering the advantage of energy-efficient operation, it also provides design freedom for flat ceiling or wall fixtures in particular, due to its low built-in height and uniform spread of light. The 4-pin version is designed for operation on electronic gear.

**Benefits**

- Low built-in height
- Multiple light color choice
- Good color rendering (CRI > 80)
- Dimming possible down to 10%

**Features**

- 4-pin base

- Fluorescent tri-phosphor technology

**Application**

- Ideal for applications such as corridors, toilets, stairwells and reception areas

**Warnings and Safety**

- Lamp light technical and electrical characteristics are influenced by operating conditions, i.e. lamp ambient temperature and operating position as well as applied HF control gear
- Shorter lamp life when often switching and not well pre-heated electrodes
- A lamp breaking is extremely unlikely to have any impact on your health. If a lamp breaks, ventilate the room for 30 minutes and remove the parts, preferably with gloves. Put them in a sealed plastic bag and take it to your local waste facilities for recycling. Do not use a vacuum cleaner.

	C	C1	D	D1	E	F	U
	max.	max.	max.	max.	max.	max.	max.
1	138	49	13.7	27.5	135	40.5	40.0
2	203	76	18.9	33.0	200	41.0	46.5

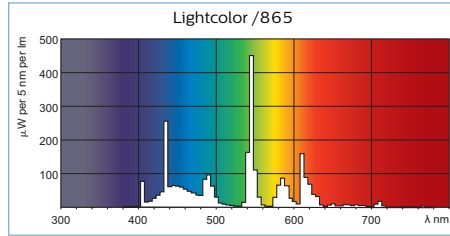
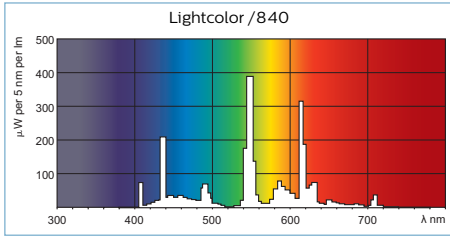
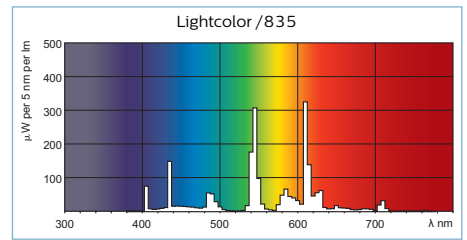
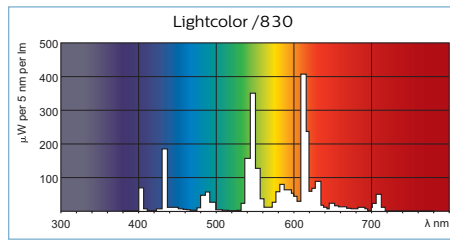
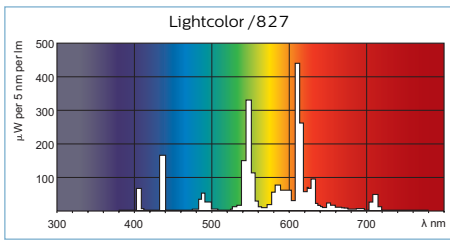
## PL-Q /4 Pins GR10Q

Power/Light source color	Colour Rendering Index	Luminous Flux (Rated)		Life to 10% Failures Preheat	Life to 50% Failures Preheat		EAN-1
		(lm)		(h)	(h)	mm	
16W/827	82	1,050	Yes	8,000	13,000	1	8711500269881
16W/830	82	1,050	Yes	8,000	13,000	1	8711500269898
16W/835	82	1,050	Yes	8,000	13,000	1	8711500272065
28W/827	82	2,050	Yes	8,000	13,000	2	8711500269911
28W/830	82	2,050	Yes	8,000	13,000	2	8711500269928
28W/835	82	2,050	Yes	8,000	13,000	2	8711500269676
28W/840	82	2,050	Yes	8,000	13,000	2	8711500269935
38W/827	82	2,850	Yes	8,000	13,000	2	8711500271716
38W/830	82	2,850	Yes	8,000	12,000	2	8711500271723
38W/835	82	2,850	Yes	8,000	13,000	2	8711500271730
38W/840	82	2,850	Yes	8,000	13,000	2	8711500271747

Commercial product name			National Lamp Fee <sup>1</sup>	Net Trade Price per Piece	National Discount Group	EAN-1
				(€ net)		
PL-Q 16W/827/4P 1CT/10BOX	A	10	fee relevant	3,90	L2	8711500269881
PL-Q 16W/830/4P 1CT/10BOX	A	10	fee relevant	3,90	L2	8711500269898
PL-Q 16W/835/4P 1CT/10BOX	A	10	fee relevant	3,90	L2	8711500272065
PL-Q 28W/827/4P 1CT/10BOX	A	10	fee relevant	6,09	L2	8711500269911
PL-Q 28W/830/4P 1CT/10BOX	A	10	fee relevant	6,09	L2	8711500269928
PL-Q 28W/835/4P 1CT/10BOX	A	10	fee relevant	6,09	L2	8711500269676
PL-Q 28W/840/4P 1CT/10BOX	A	10	fee relevant	6,09	L2	8711500269935
PL-Q 38W/827/4P 1CT/10BOX	A	10	fee relevant	6,09	L2	8711500271716
PL-Q 38W/830/4P 1CT/10BOX	A	10	fee relevant	6,09	L2	8711500271723
PL-Q 38W/835/4P 1CT/10BOX	A	10	fee relevant	6,09	L2	8711500271730
PL-Q 38W/840/4P 1CT/10BOX	A	10	fee relevant	6,09	L2	8711500271747

<sup>1</sup> Product fee relevant according local regulation





## Compact High Intensity Discharge



MASTERColour CDM ⇨



MASTER SDW White SON ⇨



MHN Low Wattage Metal Halide



## MASTERColour CDM-T Elite



### Perfect sparkle, unrivalled efficiency

Single-ended, very high-efficiency, long-life Ceramic Metal Halide discharge lamp producing crisp white sparkling light with high color rendering

#### Benefits

- High-intensity beam of crisp white sparkling light makes merchandise look irresistible
- Stable color and lumen output over life keeps your store attractive season after season
- Lowest Total Cost of Ownership as a result of high efficacy (same light, less energy or same energy, more light) and long life

#### Features

- Crisp white sparkling light
- Excellent color rendering, with extra red
- High efficacy with unparalleled lumen maintenance
- Stable color performance over lifetime
- UV-blocking glass

#### Environment

- Excellent environmental choice because of high energy efficiency and long reliable life

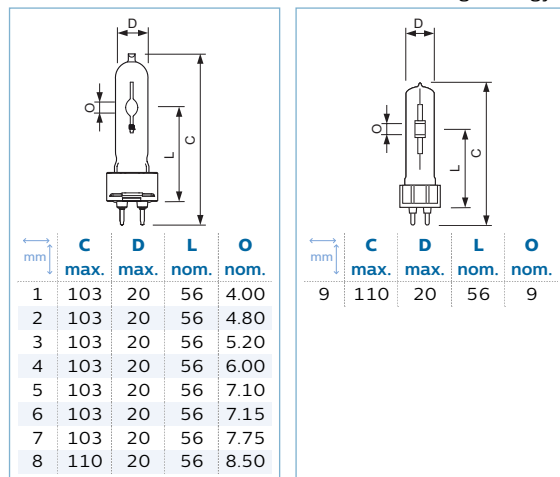
- This product is a Philips Green Flagship
- This product is RoHS compliant
- This product is covered by WEEE

#### Application

- Accent and display lighting in retail
- General and decorative indoor lighting
- Outdoor area lighting

#### Warnings and Safety

- Use only in totally enclosed luminaire, even during testing (IEC 61167, IEC 62035, IEC 60598)
- The luminaire must be able to contain hot lamp parts if the lamp ruptures
- Use only with electronic control gear. 35 W & 70 W lamps may also use electromagnetic gear.
- Control gear must include end-of-life protection (IEC 61167, IEC 62035)
- A lamp breaking is extremely unlikely to have any impact on your health. If a lamp breaks, ventilate the room for 30 minutes and remove the parts, preferably with gloves. Put them in a sealed plastic bag and take it to your local waste facilities for recycling. Do not use a vacuum cleaner.



## MASTERColour CDM-T Elite G12

Lamp power/Light source color	Correlated Color Temperature (K)	Luminous Flux (Rated) (lm)	Life to 10% Failures (h)	Life to 50% Failures (h)			EAN-1
20W/830	3,000	1,800	14,000	20,000	UNIVERSAL	1	8727900871562
39W/930	3,000	4,050	14,000	20,000	UNIVERSAL	2	8727900911374
39W/942	4,200	3,850	10,000	15,000	UNIVERSAL	3	8718291163640
50W/930	3,000	5,400	14,000	20,000	UNIVERSAL	4	8727900930603
50W/942	4,200	5,000	10,000	15,000	UNIVERSAL	5	8718291201595
73W/930	3,000	7,800	14,000	20,000	UNIVERSAL	6	8727900911411
73W/942	4,200	7,500	10,000	15,000	UNIVERSAL	7	8718291163626
100W/930	3,000	11,000	14,000	20,000	UNIVERSAL	8	8727900871692
150W/930	3,000	15,000	10,000	12,000	P10	9	8711500213129

<sup>1</sup> value description(s): 'P10' = Parallel +/- 10D or Horizontal(HOR), 'UNIVERSAL' = Any or Universal (U)

Commercial product name			National Lamp Fee <sup>2</sup>	Net Trade Price per Piece (€ net)	National Discount Group	EAN-1
MASTERColour CDM-T Elite 20W/830 G12 1CT/12	A+	12	fee relevant	18,10	L2	8727900871562
MASTERColour CDM-T Elite 35W/930 G12 1CT/12	A+	12	fee relevant	22,20	L2	8727900911374
MASTERColour CDM-T Elite 35W/942 G12 1CT	A+	12	fee relevant	22,20	L2	8718291163640
MASTERColour CDM-T Elite 50W/930 G12 1CT/12	A+	12	fee relevant	22,20	L2	8727900930603
MASTERColour CDM-T Elite 50W/942 G12 1CT	A+	12	fee relevant	22,20	L2	8718291201595
MASTERColour CDM-T Elite 70W/930 G12 1CT/12	A+	12	fee relevant	22,20	L2	8727900911411
MASTERColour CDM-T Elite 70W/942 G12 1CT	A+	12	fee relevant	22,20	L2	8718291163626
MASTERColour CDM-T Elite 100W/930 G12 1CT/12	A+	12	fee relevant	22,20	L2	8727900871692
MASTERColour CDM-T Elite 150W/930 G12 1CT/12	A+	12	fee relevant	22,20	L2	8711500213129

<sup>2</sup> Product fee relevant according local regulation



## MASTERColour CDM-T



### Beautiful sparkle, reliable life

Range of single-ended, compact, high-efficiency, discharge lamps with a stable color over lifetime and a crisp, sparkling light

#### Benefits

- Stable color impression over lifetime
- High lamp efficacy results in low operating costs and low heat generation
- Long lamp life compared with incandescent and halogen lamps
- Relatively low heat output enhances comfort for shoppers and staff
- All types are UV-Block for reduced fading risks

#### Features

- Crisp white light
- Superior color quality
- Allows small-size luminaires designs that give high beam intensities

#### Environment

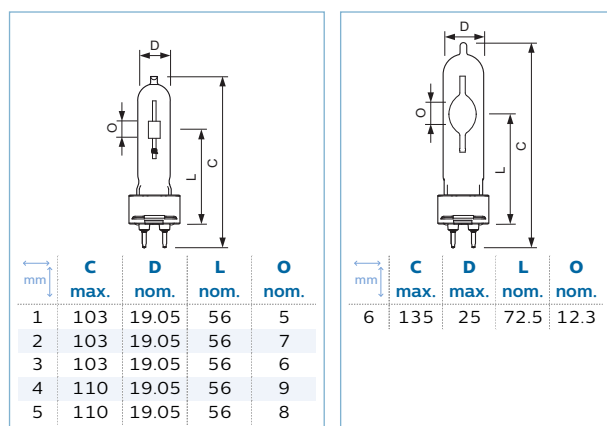
- Good environmental choice because of high energy efficiency and long reliable life
- This product is RoHS compliant
- This product is covered by WEEE

#### Application

- Shops and shop windows, offices and public buildings
- Decorative outdoor: floodlighting and pedestrian areas

#### Warnings and Safety

- Use only in totally enclosed luminaire, even during testing (IEC 61167, IEC 62035, IEC 60598)
- The luminaire must be able to contain hot lamp parts if the lamp ruptures
- Control gear must include end-of-life protection (IEC 61167, IEC 62035)
- Lamps may use electronic or electromagnetic control gear, except 35 W/942 and 20 W lamps, which must use electronic control gear.
- A lamp breaking is extremely unlikely to have any impact on your health. If a lamp breaks, ventilate the room for 30 minutes and remove the parts, preferably with gloves. Put them in a sealed plastic bag and take it to your local waste facilities for recycling. Do not use a vacuum cleaner.



## MASTERColour CDM-T G12

Lamp power/Light source color	Correlated Color Temperature (K)	Luminous Flux (Rated) (lm)	Life to 10% Failures (h)	Life to 50% Failures (h)			EAN-1
39W/830	3,000	3,000	10,000	12,000	UNIVERSAL	1	8711500196972
39W/842	4,200	3,100	10,000	12,000	UNIVERSAL	1	8711500211262
73W/830	3,000	6,400	10,000	12,000	UNIVERSAL	2	8711500196996
73W/942	4,200	6,300	10,000	12,000	UNIVERSAL	3	8711500199270
147W/830	3,000	13,300	10,000	12,000	UNIVERSAL	4	8711500197801
147W/942	4,200	12,400	10,000	12,000	UNIVERSAL	5	8711500200051
247W/942	4,200	26,000	10,000	15,000	UNIVERSAL	6	8711500211125
249W/830	3,000	27,540	10,000	15,000	UNIVERSAL	6	8711500208019

<sup>1</sup> value description(s): 'UNIVERSAL' = Any or Universal (U)

Commercial product name			National Lamp Fee <sup>2</sup>	Net Trade Price per Piece (€ net)	National Discount Group	EAN-1
MASTERColour CDM-T 35W/830 G12 1CT/12	A	12	fee relevant	18,10	L2	8711500196972
MASTERColour CDM-T 35W/842 G12 1CT/12	A	12	fee relevant	18,10	L2	8711500211262
MASTERColour CDM-T 70W/830 G12 1CT/12	A+	12	fee relevant	18,10	L2	8711500196996
MASTERColour CDM-T 70W/942 G12 1CT/12	A+	12	fee relevant	18,10	L2	8711500199270
MASTERColour CDM-T 150W/830 G12 1CT	A+	12	fee relevant	18,10	L2	8711500197801
MASTERColour CDM-T 150W/942 G12 1CT	A	12	fee relevant	18,10	L2	8711500200051
MASTERColour CDM-T 250W/830 G12 1CT/12	A+	12	fee relevant	76,70	L2	8711500208019
MASTERColour CDM-T 250W/942 G12 1CT/12	A+	12	fee relevant	76,70	L2	8711500211125

<sup>2</sup> Product fee relevant according local regulation



## MASTERColour CDM-TC Elite



### Perfect sparkle, unrivalled efficiency

Compact, single-ended, very high-efficiency, long-life ceramic metal-halide discharge lamp producing crisp white sparkling light with high color rendering

#### Benefits

- High-intensity beam of crisp white sparkling light makes merchandise look irresistible
- Stable color and lumen output over life keeps your store attractive season after season
- Lowest Total Cost of Ownership as a result of high efficacy (same light, less energy or same energy, more light) and long life

#### Features

- Crisp white sparkling light
- Excellent color rendering, with extra red
- High efficacy with unparalleled lumen maintenance
- Stable color performance over lifetime
- UV-blocking glass

#### Environment

- Good environmental choice because of high energy efficiency and long reliable life

- This product is a Philips Green Flagship
- This product is RoHS compliant
- This product is covered by WEEE

#### Application



- Accent and display lighting in retail
- General and decorative indoor lighting
- Outdoor area lighting

#### Warnings and Safety



- Use only in totally enclosed luminaire, even during testing (IEC 61167, IEC 62035, IEC 60598)
- The luminaire must be able to contain hot lamp parts if the lamp ruptures
- Use only with electronic control gear
- Control gear must include end-of-life protection (IEC 61167, IEC 62035)
- A lamp breaking is extremely unlikely to have any impact on your health. If a lamp breaks, ventilate the room for 30 minutes and remove the parts, preferably with gloves. Put them in a sealed plastic bag and take it to your local waste facilities for recycling. Do not use a vacuum cleaner.

C	D	L	O	
				max.
1	85	13.97	52	4
2	85	15	52	4.80
3	85	15	52	5.20
4	85	15	52	6.00
5	85	15	52	7.15
6	85	15	52	7.75

## MASTERColour CDM-TC Elite G8.5

Lamp power/Light source color	Correlated Color Temperature (K)	Luminous Flux (Rated) (lm)	Life to 10% Failures (h)	Life to 50% Failures (h)			EAN - 1
20W/830	2,980	1,800	14,000	20,000	UNIVERSAL	1	8727900871586
39W/930	3,000	4,000	14,000	20,000	UNIVERSAL	2	8727900911497
39W/942	4,200	3,800	10,000	15,000	UNIVERSAL	3	8718291163664
50W/930	3,000	5,400	14,000	20,000	UNIVERSAL	4	8727900930627
73W/930	3,000	7,800	14,000	20,000	UNIVERSAL	5	8727900911534
73W/942	4,200	7,450	10,000	15,000	UNIVERSAL	6	8718291163688

<sup>1</sup>  value description(s): 'UNIVERSAL' = Any or Universal (U)

Commercial product name			National Lamp Fee <sup>2</sup>	Net Trade Price per Piece (€ net)	National Discount Group	EAN - 1
MASTERColour CDM-TC Elite 20W/830 G8.5 1CT/12	A+	12	fee relevant	20,00	L2	8727900871586
MASTERColour CDM-TC Elite 35W/930 G8.5 1CT/12	A+	12	fee relevant	22,20	L2	8727900911497
MASTERColour CDM-TC Elite 35W/942 G8.5 1CT	A+	12	fee relevant	22,20	L2	8718291163664
MASTERColour CDM-TC Elite 50W/930 G8.5 1CT/12	A+	12	fee relevant	22,20	L2	8727900930627
MASTERColour CDM-TC Elite 70W/930 G8.5 1CT/12	A+	12	fee relevant	22,20	L2	8727900911534
MASTERColour CDM-TC Elite 70W/942 G8.5 1CT	A+	12	fee relevant	22,20	L2	8718291163688

<sup>2</sup> Product fee relevant according local regulation



## MASTERColour CDM-TC



### Beautiful sparkle, reliable life

Range of single-ended, very compact, high-efficiency, discharge lamps with a stable color over lifetime and a crisp, sparkling light

#### Benefits

- Long lamp life compared with incandescent and halogen lamps
- UV-Block quartz outer bulb for reduced fading risks
- Stable color impression over lifetime
- High lamp efficacy results in low operating costs and low heat generation (which enhances comfort for shoppers and staff)

#### Features

- Crisp white light
- Superior color quality
- Allows very small-size luminaires designs that give high beam intensities

#### Environment

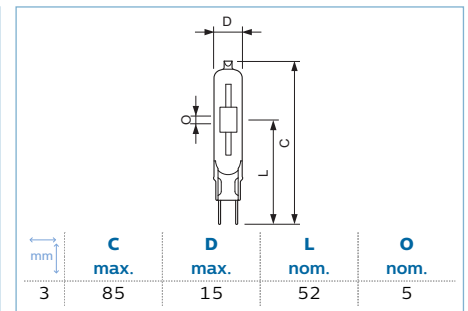
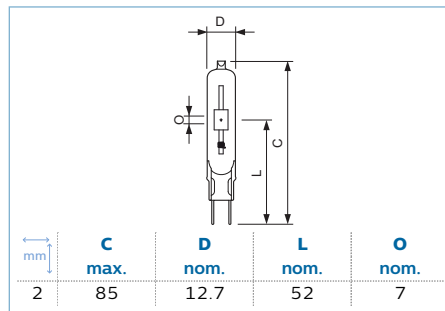
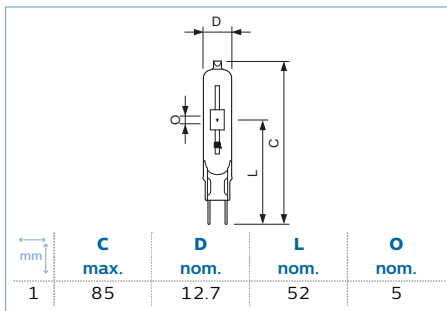
- Good environmental choice because of high energy efficiency and long reliable life
- This product is RoHS compliant
- This product is covered by WEEE

#### Application



- Accent lighting display lighting with sparkling effect
- General and decorative lighting

#### Warnings and Safety



- Use only in totally enclosed luminaire, even during testing (IEC 61167, IEC 62035, IEC 60598)
- The luminaire must be able to contain hot lamp parts if the lamp ruptures
- Control gear must include end-of-life protection (IEC 61167, IEC 62035)
- Use only with electronic control gear. 35 W/830 lamps may also use electromagnetic gear.
- A lamp breaking is extremely unlikely to have any impact on your health. If a lamp breaks, ventilate the room for 30 minutes and remove the parts, preferably with gloves. Put them in a sealed plastic bag and take it to your local waste facilities for recycling. Do not use a vacuum cleaner.



### MASTERColour CDM-TC G8.5

Lamp power/Light source color	Correlated Color Temperature (K)	Luminous Flux (Rated) (lm)	Life to 10% Failures (h)	Life to 50% Failures (h)		 mm	EAN-1
39W/830	3,000	3,000	10,000	12,000	UNIVERSAL	1	8711500200006
39W/842	4,200	3,100	8,000	12,000	UNIVERSAL	1	8711500209573
70W/830	3,000	6,400	8,000	12,000	UNIVERSAL	2	8711500201676
70W/842	4,200	5,800	8,000	12,000	UNIVERSAL	3	8711500212757

<sup>1</sup>  value description(s): 'UNIVERSAL' = Any or Universal (U)

Commercial product name			National Lamp Fee <sup>2</sup>	Net Trade Price per Piece (€ net)	National Discount Group	EAN-1
MASTERColour CDM-TC 35W/830 G8.5 1CT/12	A	12	fee relevant	20,00	L2	8711500200006
MASTERColour CDM-TC 35W/842 G8.5 1CT/12	A	12	fee relevant	20,00	L2	8711500209573
MASTERColour CDM-TC 70W/830 G8.5 1CT/12	A+	12	fee relevant	20,00	L2	8711500201676
MASTERColour CDM-TC 70W/842 G8.5 1CT/12	A	12	fee relevant	20,00	L2	8711500212757

<sup>2</sup> Product fee relevant according local regulation



## MASTERColour CDM-Tm Elite Mini



### Perfect sparkle, mini design

Mini, single-ended, very high-efficiency, long-life Ceramic Metal Halide discharge lamp producing crisp white sparkling light with high color rendering

#### Benefits

- High-intensity beam of crisp white sparkling light makes merchandise look irresistible
- Lowest Total Cost of Ownership as a result of high efficacy (same light, less energy or same energy, more light) and long life
- Fits in small luminaires which are less visible

#### Features

- Crisp white sparkling light
- Excellent color rendering, with extra red
- High efficacy with unparalleled lumen maintenance
- Stable color performance over lifetime
- Mini size

#### Environment

- This product is RoHS-compliant

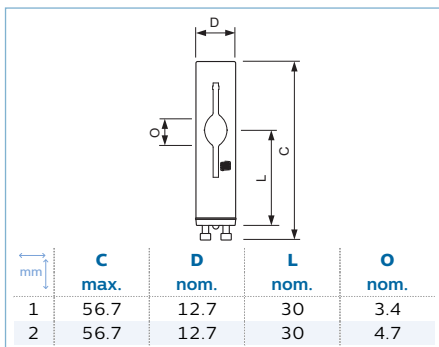
- This product is covered by WEEE

#### Application



- Accent and display lighting in retail
- General and decorative indoor lighting
- Outdoor area lighting

#### Warnings and Safety

- Use only in totally enclosed luminaire, even during testing (IEC 61167, IEC 62035, IEC 60598)
- The luminaire must be able to contain hot lamp parts if the lamp ruptures
- Use only with electronic control gear
- For 50 W use with Philips electronic gear only
- Control gear must include end-of-life protection (IEC 61167, IEC 62035)
- A lamp breaking is extremely unlikely to have any impact on your health. If a lamp breaks, ventilate the room for 30 minutes and remove the parts, preferably with gloves. Put them in a sealed plastic bag and take it to your local waste facilities for recycling. Do not use a vacuum cleaner.



## MASTERColour CDM-Tm Elite Mini GU6.5

Lamp power/Light source color	Correlated Color Temperature (K)	Luminous Flux (Rated) (lm)	Life to 10% Failures (h)	Life to 50% Failures (h)	 <sup>1</sup>	 mm	EAN-1
20W/830	3,000	1,800	14,000	20,000	UNIVERSAL	1	8727900890839
39W/930	3,000	4,000	14,000	20,000	UNIVERSAL	2	8718291153825

<sup>1</sup>  value description(s): 'UNIVERSAL' = Any or Universal (U)

Commercial product name	 	National Lamp Fee <sup>2</sup>	Net Trade Price per Piece (€ net)	National Discount Group	EAN-1	
MASTERColour CDM-Tm Elite Mini 20W/830 GU6.5 1CT	A+	12	fee relevant	26,70	L2	8727900890839
MASTERColour CDM-Tm Elite Mini 35W/930 GU6.5 1CT	A+	12	fee relevant	29,60	L2	8718291153825

<sup>2</sup> Product fee relevant according local regulation



## MASTERColour CDM-Tm Mini PGJ5



### Beautiful sparkle, mini design

Mini, single-ended, high-efficiency Ceramic Metal Halide discharge lamp producing crisp white sparkling light

#### Benefits

- High-intensity beam of crisp white sparkling light makes merchandise look irresistible
- Stable color and lumen output over life keeps your store attractive season after season
- Fits in small luminaires which are less visible

#### Features

- Crisp white sparkling light
- Excellent color rendering, with extra red
- High efficacy
- Stable color performance during lifetime
- Mini size

#### Environment

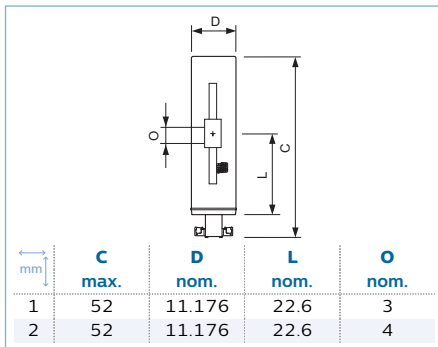
- Excellent environmental choice because of high energy efficiency and long reliable life
- This product is a Philips Green Flagship
- This product is RoHS compliant
- This product is covered by WEEE

#### Application



- Accent and display lighting in retail
- General and decorative indoor lighting
- Outdoor area lighting

#### Warnings and Safety



- Use only in totally enclosed luminaire, even during testing (IEC 61167, IEC 62035, IEC 60598)
- The luminaire must be able to contain hot lamp parts if the lamp ruptures
- Use only with electronic control gear
- Control gear must include end-of-life protection (IEC 61167, IEC 62035)
- For 20 W PGJ5 lamp, use only Philips electronic control gear HID PV mini PGJ5 20 W
- For 35 W PGJ5 lamp, use only Philips electronic control gear HID PV mini PGJ5 35 W
- A lamp breaking is extremely unlikely to have any impact on your health. If a lamp breaks, ventilate the room for 30 minutes and remove the parts, preferably with gloves. Put them in a sealed plastic bag and take it to your local waste facilities for recycling. Do not use a vacuum cleaner.



## MASTERColour CDM-Tm Mini PGJ5

Lamp power/Light source color	Correlated Color Temperature (K)	Luminous Flux (Rated) (lm)	Life to 10% Failures (h)	Life to 50% Failures (h)	 <sup>1</sup>		EAN - 1
22W/830	3,000	1,650	10,000	12,000	UNIVERSAL	1	8711500207517
39W/930	3,000	3,000	10,000	12,000	UNIVERSAL	2	8711500211491
39W/930	3,000	3,000	10,000	12,000	UNIVERSAL	2	8711500212924

<sup>1</sup>  value description(s): 'UNIVERSAL' = Any or Universal (U)

Commercial product name			National Lamp Fee <sup>2</sup>	Net Trade Price per Piece (€ net)	National Discount Group	EAN - 1
MASTERC CDM-TM MINI 35W/930 PGJ5 KIT/12	A	12	fee relevant	33,80	L2	8711500212924
MASTERColour CDM-Tm Mini 20W/830 PGJ5 1CT/12	A	12	fee relevant	33,80	L2	8711500207517
MASTERColour CDM-Tm Mini 35W/930 PGJ5 1CT/12	A	12	fee relevant	33,80	L2	8711500211491

<sup>2</sup> Product fee relevant according local regulation

## MASTERColour CDM-TP



### Beautiful sparkle, reliable life

Range of protected, high-efficiency, discharge lamps with a stable color over lifetime and a crisp, sparkling light to be used in open luminaires

#### Benefits

- High lamp efficacy results in low operating costs and low heat generation
- Stable color impression over lifetime
- Long lamp life compared with incandescent and halogen lamps
- Relatively low heat output enhances comfort for shoppers and staff
- All types have UV-Block filtering for reduced fading risks

#### Features

- Crisp white light
- Superior color quality
- Lamp design is well-suited to be used in luminaires for power-spots (high intensity) and high-bay general lighting
- Double UV-Block quartz sleeves and a hard-glass outer bulb

#### Environment

- Good environmental choice because of high energy efficiency and long reliable life
- This product is RoHS compliant
- This product is covered by WEEE

#### Application

- Shops and shop windows, offices and public buildings
- Decorative outdoor: floodlighting and pedestrian areas

#### Warnings and Safety

- Lamps may use electronic or electromagnetic control gear
- Control gear must include end-of-life protection (IEC 61167, IEC 62035)
- A lamp breaking is extremely unlikely to have any impact on your health. If a lamp breaks, ventilate the room for 30 minutes and remove the parts, preferably with gloves. Put them in a sealed plastic bag and take it to your local waste facilities for recycling. Do not use a vacuum cleaner.

mm	C max.	D max.	L nom.	O nom.
1	149	32	91	7
2	149	32	91	8
3	149	32	91	9

## MASTERColour CDM-TP

Lamp power/Light source color		Correlated Color Temperature (K)	Luminous Flux (Rated) (lm)	Life to 5% Failures (h)	Life to 50% Failures (h)			EAN-1
73W/830	PG12-2	3,000	6,000	9,000	16,000	UNIVERSAL	1	8711500201270
148W/942	PGX12-2	4,200	12,000	9,000	16,000	UNIVERSAL	2	8711500201119
149W/830	PGX12-2	3,000	12,800	9,000	16,000	UNIVERSAL	3	8711500201256

<sup>1</sup> value description(s): 'UNIVERSAL' = Any or Universal (U)

Commercial product name			National Lamp Fee <sup>2</sup>	Net Trade Price per Piece (€ net)	National Discount Group	EAN-1
MASTERColour CDM-TP 70W/830 PG12-2 1CT/12	A+	12	fee relevant	62,10	L2	8711500201270
MASTERColour CDM-TP 150W/830 PGX12-2 1CT/12	A+	12	fee relevant	62,10	L2	8711500201256
MASTERColour CDM-TP 150W/942 PGX12-2 1CT/12	A+	12	fee relevant	62,10	L2	8711500201119

<sup>2</sup> Product fee relevant according local regulation



## MASTERColour CDM-TD


**Beautiful sparkle, reliable life**

Range of double-ended, compact, high-efficiency, discharge lamps with a stable color over lifetime and a crisp, sparkling light

**Benefits**

- Stable color impression over lifetime
- High lamp efficacy results in low operating costs and low heat generation. Provides better operating costs and improved light quality versus standard quartz metal halide (MHN-TD)
- Long lamp life compared with incandescent, halogen and quartz metal halide (MHN-TD) lamps
- Relatively low heat output enhances comfort for shoppers and staff
- All types are UV-Block for reduced fading risks

**Features**

- Crisp white light
- Superior color quality
- Retrofit in double-ended luminaires for quartz metal halide lamps (MHN-TD), thereby allowing to reduce operating costs and improve color quality
- Burning position horizontal  $\pm 45^\circ$

**Environment**

- Good environmental choice because of high energy efficiency and long reliable life
- This product is RoHS compliant
- This product is covered by WEEE

**Application**


- Shops and shop windows, offices and public buildings
- Decorative outdoor: floodlighting of facades, statues and monuments

**Warnings and Safety**



- Use only in totally enclosed luminaire, even during testing (IEC 61167, IEC 62035, IEC 60598)
- The luminaire must be able to contain hot lamp parts if the lamp ruptures
- Lamps may use electronic or electromagnetic control gear
- Control gear must include end-of-life protection (IEC 61167, IEC 62035)
- A lamp breaking is extremely unlikely to have any impact on your health. If a lamp breaks, ventilate the room for 30 minutes and remove the parts, preferably with gloves. Put them in a sealed plastic bag and take it to your local waste facilities for recycling. Do not use a vacuum cleaner.

	<b>C</b> max.	<b>D</b> nom.	<b>O</b> nom.
1	119.63	19.050	8
2	119.63	19.050	7
3	137.43	22.225	10

## MASTERColour CDM-TD RX7S

Lamp power/Light source color	Correlated Color Temperature (K)	Luminous Flux (Rated)	Life to 10% Failures	Life to 50% Failures	 1 mm	EAN - 1
		(lm)	(h)	(h)		
71W/830	3,000	6,000	13,000	16,000	P45 1	8711500197825
71W/942	4,200	5,600	13,000	16,000	P45 2	8711500200020
145W/830	3,000	13,250	13,000	16,000	P45 3	8711500197849
150W/942	4,200	13,750	13,000	16,000	P45 3	8711500200259

<sup>1</sup> © value description(s): 'P45' = Parallel +/-45D or Horizontal(HOR)

Commercial product name	 	National Lamp Fee <sup>2</sup>	Net Trade Price per Piece (€ net)	National Discount Group	EAN - 1	
MASTERColour CDM-TD 70W/830 RX7s 1CT/12	A	12	fee relevant	16,40	L2	8711500197825
MASTERColour CDM-TD 70W/942 RX7s 1CT/12	A	12	fee relevant	16,40	L2	8711500200020
MASTERColour CDM-TD 150W/830 RX7s 1CT	A+	12	fee relevant	16,60	L2	8711500197849
MASTERColour CDM-TD 150W/942 RX7s 1CT	A+	12	fee relevant	16,60	L2	8711500200259

<sup>2</sup> Product fee relevant according local regulation

05



## MASTERColour CDM-Rm Elite Mini

**Perfect sparkle, easy application**

Mini, very high-efficiency Ceramic Metal Halide discharge reflector lamp producing crisp white sparkling light with high color rendering

**Benefits**

- High-intensity beam of crisp white sparkling light makes merchandise look irresistible
- Easy to install and replace, reducing installation and relamping costs
- Fits in small luminaires which are less visible

**Features**

- Crisp white sparkling light
- Excellent color rendering, with extra red
- High efficacy with unparalleled lumen maintenance
- Mini design fitting in open luminaires
- UV-blocking front glass

**Environment**

- Good environmental choice because of high energy efficiency and long reliable life

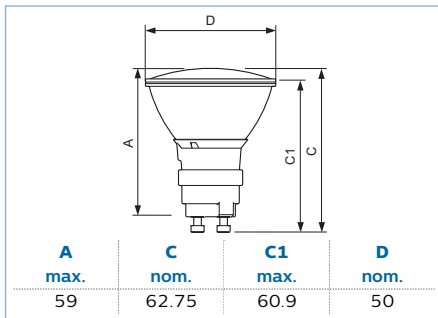
- The product is certified by Philips Green Flagship
- The product is RoHS compliant
- The product is covered by WEEE

**Application**

- Accent and display lighting in retail
- General and decorative indoor lighting

**Warnings and Safety**

- Use only with electronic control gear
- Control gear must include end-of-life protection (IEC 61167, IEC 62035).
- A lamp breaking is extremely unlikely to have any impact on your health. If a lamp breaks, ventilate the room for 30 minutes and remove the parts, preferably with gloves. Put them in a sealed plastic bag and take it to your local waste facilities for recycling. Do not use a vacuum cleaner.



## MASTERColour CDM-Rm Elite Mini GX10 MR16

Lamp power/ Light source color	(°)	Correlated Color Temperature (K)	Luminous Flux (Rated) (lm)	Luminous Intensity (cd)	Life to 10% Failures (h)	Life to 50% Failures (h)	<sup>1</sup>	EAN-1
20W/830	10	3,000	1,000	14,500	10,000	15,000	UNIVERSAL	8718291202745
20W/830	25	3,000	1,000	4,100	10,000	15,000	UNIVERSAL	8718291203018
20W/830	40	3,000	1,000	1,750	10,000	15,000	UNIVERSAL	8718291203032
39W/930	10	3,000		17,500	10,000	15,000	UNIVERSAL	8718291162964
39W/930	25	3,000		7,600	10,000	15,000	UNIVERSAL	8718291163008
39W/930	40	3,000		3,600	10,000	15,000	UNIVERSAL	8718291163060

<sup>1</sup> value description(s): 'UNIVERSAL' = Any or Universal (U)

Commercial product name			National Lamp Fee <sup>2</sup>	Net Trade Price per Piece (€ net)	National Discount Group	EAN-1
CDM-Rm Elite Mini 20W/830 GX10 MR16 10D	A	12	fee relevant	33,10	L2	8718291202745
CDM-Rm Elite Mini 20W/830 GX10 MR16 25D	A	12	fee relevant	33,10	L2	8718291203018
MASTERColour CDM-Rm Elite Mini 20W/830 GX10 MR16 40D	A	12	fee relevant	33,10	L2	8718291203032
MASTERColour CDM-Rm Elite Mini 35W/930 GX10 MR16 10D	A	12	fee relevant	36,40	L2	8718291162964
MASTERColour CDM-Rm Elite Mini 35W/930 GX10 MR16 25D	A	12	fee relevant	36,40	L2	8718291163008
MASTERColour CDM-Rm Elite Mini 35W/930 GX10 MR16 40D	A	12	fee relevant	36,40	L2	8718291163060

<sup>2</sup> Product fee relevant according local regulation

05





## MASTERColour CDM-R Elite



### Perfect sparkle, simple use

Compact, very high-efficiency, long-life Ceramic Metal Halide discharge reflector lamp producing crisp white sparkling light with high color rendering

#### Benefits

- High-efficiency lamp producing crisp white sparkling light that makes merchandise look irresistible
- Stable color and lumen output over life keeps your store attractive season after season
- Easy to install and replace, reducing installation and relamping costs

#### Features

- Crisp white sparkling light
- Excellent color rendering, with extra red
- High efficacy combined with unparalleled lumen maintenance
- Fits in simple open luminaires
- UV-blocking front glass

#### Environment

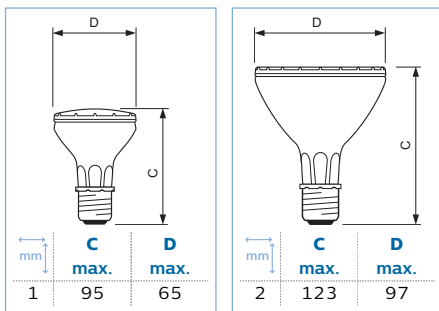
- Excellent environmental choice because of high energy efficiency and long reliable life
- This product is RoHS compliant
- This product is covered by WEEE

#### Application


- Accent and display lighting retail
- General and decorative indoor lighting

#### Warnings and Safety



- Use only with electronic control gear
- Control gear must include end-of-life protection (IEC 61167, IEC 62035)
- A lamp breaking is extremely unlikely to have any impact on your health. If a lamp breaks, ventilate the room for 30 minutes and remove the parts, preferably with gloves. Put them in a sealed plastic bag and take it to your local waste facilities for recycling. Do not use a vacuum cleaner.



## MASTERColour CDM-R Elite E27

Lamp power/Light source color	Bulb Shape	Beam Description (°)	Correlated Color Temperature (K)	Luminous Flux (Rated) (lm)	Luminous Intensity (cd)	Life to 10% Failures (h)	Life to 50% Failures (h)	 1	mm	EAN-1
39W/930	PAR20	10 Spot	3,000		23,000	5,500	15,000	UNIVERSAL	1	8718291651550
39W/930	PAR30L	10 Spot	3,000		49,000	5,500	15,000	UNIVERSAL	2	8718291241928
39W/930	PAR20	30 Flood	3,000		6,500	5,500	15,000	UNIVERSAL	1	8718291651574
39W/930	PAR30L	30 Flood	3,000		8,000	5,500	15,000	UNIVERSAL	2	8718291241942
73W/930	PAR30L	10 Spot	3,000		61,000	6,500	15,000	UNIVERSAL	2	8718291241867
73W/930	PAR30L	30 Flood	3,000		14,000	6,500	15,000	UNIVERSAL	2	8718291241881
73W/930	PAR30L	40 Flood	3,000		10,300	6,500	15,000	UNIVERSAL	2	8718291241904
73W/942	PAR30L	30 Flood	4,200	5,200	13,500	10,000	15,000	UNIVERSAL	2	8718291651673
73W/942	PAR30L	40 Flood	4,200	5,200	9,800	10,000	15,000	UNIVERSAL	2	8718291651697

<sup>1</sup>  value description(s): 'UNIVERSAL' = Any or Universal (U)

Commercial product name			National Lamp Fee <sup>2</sup>	Net Trade Price per Piece (€ net)	National Discount Group	EAN-1
MASTERColour CDM-R Elite 35W/930 E27 PAR20 10D	A	12	fee relevant	37,90	L2	8718291651550
MASTERColour CDM-R Elite 35W/930 E27 PAR20 30D	A	12	fee relevant	37,90	L2	8718291651574
MASTERColour CDM-R Elite 35W/930 E27 PAR30L 10D	A	6	fee relevant	37,90	L2	8718291241928
MASTERColour CDM-R Elite 35W/930 E27 PAR30L 30D	A	6	fee relevant	37,90	L2	8718291241942
MASTERColour CDM-R Elite 70W/930 E27 PAR30L 10D	A	6	fee relevant	37,90	L2	8718291241867
MASTERColour CDM-R Elite 70W/930 E27 PAR30L 30D	A	6	fee relevant	37,90	L2	8718291241881
MASTERColour CDM-R Elite 70W/930 E27 PAR30L 40D	A	6	fee relevant	37,90	L2	8718291241904
MASTERColour CDM-R Elite 70W/942 E27 PAR30L 30D	A	6	fee relevant	37,90	L2	8718291651673
MASTERColour CDM-R Elite 70W/942 E27 PAR30L 40D	A	6	fee relevant	37,90	L2	8718291651697

<sup>2</sup> Product fee relevant according local regulation



## MASTERColour CDM-R111 Elite



### Perfect sparkle, trendy design

MASTERColour CDM-R111 Elite combines the trendy look of 111 mm aluminum-reflector halogen lamps with the long life, high energy efficiency and crisp white light of MASTERColour CDM.

#### Benefits

- Crisp white sparkling light
- Easy installation
- Less glare, comfort for shoppers and staff

#### Features

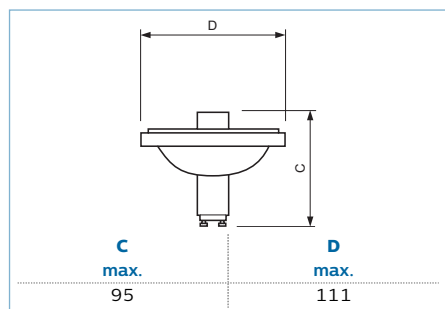
- High lamp efficacy
- Long lamp lifetime compared to incandescent and halogen lamps
- The ceramic discharge tube is optimally positioned and stable in the reflector
- UV-block burner capsule
- Anti-glare cap design

#### Application


- Accent and decorative lighting: display lighting with sparkling, theatrical effects, even in surroundings with very high background ambient light levels, such as shops windows
- General lighting: in downlighters, a warm and comfortable atmosphere can be created

#### Warnings and Safety



- Control gear must include end-of-life protection (IEC 61167, IEC 62035)
- Use only with electronic control gear. 35 W/930 lamps may also use electromagnetic gear.
- A lamp breaking is extremely unlikely to have any impact on your health. If a lamp breaks, ventilate the room for 30 minutes and remove the parts, preferably with gloves. Put them in a sealed plastic bag and take it to your local waste facilities for recycling. Do not use a vacuum cleaner.



## MASTERColour CDM-R111 Elite GX8.5

Lamp power/ Light source color	Beam Description	Correlated Color Temperature	Luminosity	Life to 10% Failures	Life to 50% Failures		EAN-1
(°)	(K)	(cd)	(h)	(h)			
39W/930 24	Narrow Flood	3,000	8,500	5,500	12,000	UNIVERSAL	8718291689447
39W/930 40	Flood	3,000	4,500	5,500	12,000	UNIVERSAL	8718291689522
73W/930 10	Spot	3,000	45,000	9,500	12,000	UNIVERSAL	8718291689621
73W/930 24	Narrow Flood	3,000	16,000	9,500	12,000	UNIVERSAL	8718291689706
73W/930 40	Flood	3,000	8,500	9,500	12,000	UNIVERSAL	8718291689782

<sup>1</sup>  value description(s): 'UNIVERSAL' = Any or Universal (U)

Commercial product name			National Lamp Fee <sup>2</sup>	Net Trade Price per Piece	National Discount Group	EAN-1
				(€ net)		
MASTERColour CDM-R111 Elite 35W/930 GX8.5 24D	A	6	fee relevant	49,70	L2	8718291689447
MASTERColour CDM-R111 Elite 35W/930 GX8.5 40D	A	6	fee relevant	49,70	L2	8718291689522
MASTERColour CDM-R111 Elite 70W/930 GX8.5 10D	B	6	fee relevant	49,70	L2	8718291689621
MASTERColour CDM-R111 Elite 70W/930 GX8.5 24D	A	6	fee relevant	49,70	L2	8718291689706
MASTERColour CDM-R111 Elite 70W/930 GX8.5 40D	A	6	fee relevant	49,70	L2	8718291689782

<sup>2</sup> Product fee relevant according local regulation

## MASTERColour CDM-R111



### Beautiful sparkle, trendy design

The MASTERColour CDM-R111 combines the trendy look of 111 mm aluminum reflector halogen lamps with the long life, high energy efficiency and crisp white light of MASTERColour CDM.

#### Benefits

- Low operating costs
- Easy installation
- Relatively low heat output
- Less glare, comfort for shoppers and staff
- Reduced risk of fading

#### Features

- High lamp efficacy
- Long lifetime compared to incandescent and halogen lamps
- The ceramic discharge tube is optimally and stably positioned in the reflector
- Twist & Lock system
- UV-Block burner capsule
- Anti-glare cap design

#### Environment

- Good environmental choice because of high energy efficiency and long reliable life

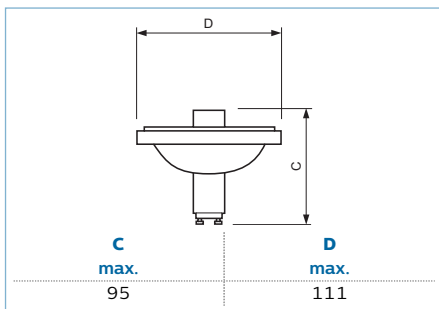
- This product is a Philips Green Flagship
- This product is RoHS-compliant
- This product is covered by WEEE

#### Application


- Accent and decorative lighting: display lighting with sparkling, theatrical effects, even in surroundings with very high background ambient light levels like shop windows
- General lighting: in downlighters, a warm and comfortable atmosphere can be created

#### Warnings and Safety



- Control gear must include end-of-life protection (IEC 61167, IEC 62035)
- Use only with electronic control gear. 35 W/830 lamps may also use electromagnetic gear.
- A lamp breaking is extremely unlikely to have any impact on your health. If a lamp breaks, ventilate the room for 30 minutes and remove the parts, preferably with gloves. Put them in a sealed plastic bag and take it to your local waste facilities for recycling. Do not use a vacuum cleaner.



## MASTERColour CDM-R111 GX8.5

Lamp power/ Light source color	Beam Description (°)	Correlated Color Temperature (K)	Luminous Flux (Rated) (lm)	Luminous Intensity (cd)	Life to 10% Failures (h)	Life to 50% Failures (h)		EAN-1	
39W/942	24	Narrow Flood	4,200	1,350	7,500	6,500	9,000	UNIVERSAL	8711500213877
39W/942	40	Flood	4,200	1,350	4,000	6,500	9,000	UNIVERSAL	8711500213891
73W/942	24	Narrow Flood	4,200	2,850	14,500	8,500	11,000	UNIVERSAL	8711500213938
73W/942	40	Flood	4,200	2,850	8,000	8,500	11,000	UNIVERSAL	8711500213952

<sup>1</sup>  value description(s): 'UNIVERSAL' = Any or Universal (U)

Commercial product name			National Lamp Fee <sup>2</sup>	Net Trade Price per Piece (€ net)	National Discount Group	EAN-1
MASTERColour CDM-R111 35W/942 GX8.5 24D 1CT	B	6	fee relevant	47,30	L2	8711500213877
MASTERColour CDM-R111 35W/942 GX8.5 40D 1CT/6	B	6	fee relevant	47,30	L2	8711500213891
MASTERColour CDM-R111 70W/942 GX8.5 24D 1CT/6	B	6	fee relevant	47,30	L2	8711500213938
MASTERColour CDM-R111 70W/942 GX8.5 40D 1CT/6	B	6	fee relevant	47,30	L2	8711500213952

<sup>2</sup> Product fee relevant according local regulation

## MASTER SDW-TG Mini



### Incredible colors, warm atmosphere

Range of high-efficiency, discharge lamps with warm color to be used in small, open luminaires designed around MASTERColour CDM-T lamps

#### Benefits

- Exceptional brightness and color rendering especially of warm colors, e. g. red and gold
- High lamp efficacy results in low operating costs and low heat generation
- Long lamp life compared with incandescent and halogen lamps

#### Features

- Unique warm color quality
- Lamp design is well-suited to be used in luminaires for MASTERColour CDM-T power-spots
- UV-block glass

#### Environment

- Good environmental choice because of high energy efficiency and long reliable life
- This product is RoHS compliant
- This product is covered by WEEE

#### Application



- Shop lighting (creates cosy atmosphere e. g. in furniture shops), excellent display of fresh goods (at butchers, bakeries, flower-shops)

#### Warnings and Safety



- Use only with dedicated Philips control gear
- A lamp breaking is extremely unlikely to have any impact on your health. If a lamp breaks, ventilate the room for 30 minutes and remove the parts, preferably with gloves. Put them in a sealed plastic bag and take it to your local waste facilities for recycling. Do not use a vacuum cleaner.

mm	C	D	L	O
	max.	nom.	nom.	nom.
1	103	19.05	55	14.5
2	110	19.05	56	18.0

## MASTER SDW-TG Mini GX12-1

Lamp power/Light source color	Correlated Color Temperature (K)	Luminous Flux (Rated) (lm)	Life to 5% Failures (h)	Life to 50% Failures (h)	 <sup>1</sup>		EAN-1
54W/825	2,500	2,400	7,000	10,000	UNIVERSAL	1	8711500203236
99W/825	2,500	4,900	5,000	10,000	UNIVERSAL	2	8711500203338

<sup>1</sup>  value description(s): 'UNIVERSAL' = Any or Universal (U)

Commercial product name	 	National Lamp Fee <sup>2</sup>	Net Trade Price per Piece (€ net)	National Discount Group	EAN-1
MASTER SDW-TG Mini 50W/825 GX12-1 1CT/12	B 12	fee relevant	57,30	L2	8711500203236
MASTER SDW-TG Mini 100W/825 GX12-1 1CT/12	B 12	fee relevant	57,30	L2	8711500203338

<sup>2</sup> Product fee relevant according local regulation

05



## MASTER SDW-T



### Incredible colors, amazing atmosphere

Range of high-efficiency, discharge lamps with warm color to be used in open luminaires

#### Benefits

- Exceptional brightness and color rendering especially of warm colors, e. g. red and gold
- High lamp efficacy results in low operating costs and low heat generation
- Long lamp life compared with incandescent and halogen lamps

#### Features

- Unique warm color quality
- Lamp design is well-suited to be used in luminaires for power-spots (high intensity) and high-bay general lighting

#### Environment

- Good environmental choice because of high energy efficiency and long reliable life

- This product is RoHS compliant
- This product is covered by WEEE

#### Application



- Shop lighting (create cosy atmosphere e. g. in furniture shops), excellent display of fresh goods (at butchers, bakeries, flower-shops) and decorative outdoor lighting (gas-lantern imitation)

#### Warnings and Safety



- Use only with dedicated Philips control gear
- A lamp breaking is extremely unlikely to have any impact on your health. If a lamp breaks, ventilate the room for 30 minutes and remove the parts, preferably with gloves. Put them in a sealed plastic bag and take it to your local waste facilities for recycling. Do not use a vacuum cleaner.

mm	C max.	D max.	L nom.	O nom.
1	149	32	91	12.7
2	149	32	91	15.4
3	149	32	91	18.3

## MASTER SDW-T PG12-1

Lamp power/Light source color	Correlated Color Temperature (K)	Luminous Flux (Rated) (lm)	Life to 5% Failures (h)	Life to 50% Failures (h)	 <sup>1</sup>		EAN-1
33W/825	2,500	1,300	8,000	15,000	UNIVERSAL	1	8711500734020
53W/825	2,500	2,300	8,000	15,000	UNIVERSAL	2	8711500734037
97W/825	2,500	5,000	5,000	15,000	UNIVERSAL	3	8711500734044

<sup>1</sup>  value description(s): 'UNIVERSAL' = Any or Universal (U)

Commercial product name			National Lamp Fee <sup>2</sup>	Net Trade Price per Piece (€ net)	National Discount Group	EAN-1
MASTER SDW-T 35W/825 PG12-1 1SL/12	B	12	fee relevant	56,20	L2	8711500734020
MASTER SDW-T 50W/825 PG12-1 1SL/12	B	12	fee relevant	56,20	L2	8711500734037
MASTER SDW-T 100W/825 PG12-1 1SL/12	B	12	fee relevant	56,20	L2	8711500734044

<sup>2</sup> Product fee relevant according local regulation



## MHN-TD



### Product Description

Double-ended quartz Metal-halide lamp

#### Benefits

- All types are UV-Block for reduced health and fading risks

#### Features

- Quartz discharge tube containing high-pressure mercury and a mixture of dysprosium, holmium and thulium halides (4,200 K) or tin iodide (3,000 K), with sodium and thallium added for color correction and arc stabilization
- Double-ended lamps housed in a tubular clear UV-Block quartz evacuated outer envelope
- Restricted burning position

#### Application

- Indoors - accent lighting, general lighting in downlighters, e. g. in shops and malls

- Downlighters, uplighters and wall-washers, e. g. in shops and malls
- Outdoors - floodlighting monuments, facades and billboards

#### Warnings and Safety

- Use only in totally enclosed luminaire, even during testing (IEC 61167, IEC 62035, IEC 60598)
- The luminaire must be able to contain hot lamp parts if the lamp ruptures
- Control gear must include end-of-life protection (IEC 61167, IEC 62035)
- A lamp breaking is extremely unlikely to have any impact on your health. If a lamp breaks, ventilate the room for 30 minutes and remove the parts, preferably with gloves. Put them in a sealed plastic bag and take it to your local waste facilities for recycling. Do not use a vacuum cleaner.

	Diagram 1			Diagram 2		
	C max.	D nom.	O nom.	C max.	D nom.	O nom.
1	117.6	19.050	7.7	3	161.6	27
2	135.4	22.606	17.8			

## MHN-TD

Lamp power/Light source color		Correlated Color Temperature (K)	Luminous Flux (Rated) (lm)	Life to 50% Failures (h)		EAN-1
75W/730	RX7S	3,000	6,000	9,000	P45 1	8718291215301
75W/842	RX7S	4,200	5,700	10,500	P45 1	8718291215325
150W/730	RX7S	3,000	13,800	10,500	P45 2	8718291215349
150W/842	RX7S	4,200	12,900	10,500	P45 2	8718291215363
252W/842	FC2	4,200	20,000	9,000	P45 3	8711500734006

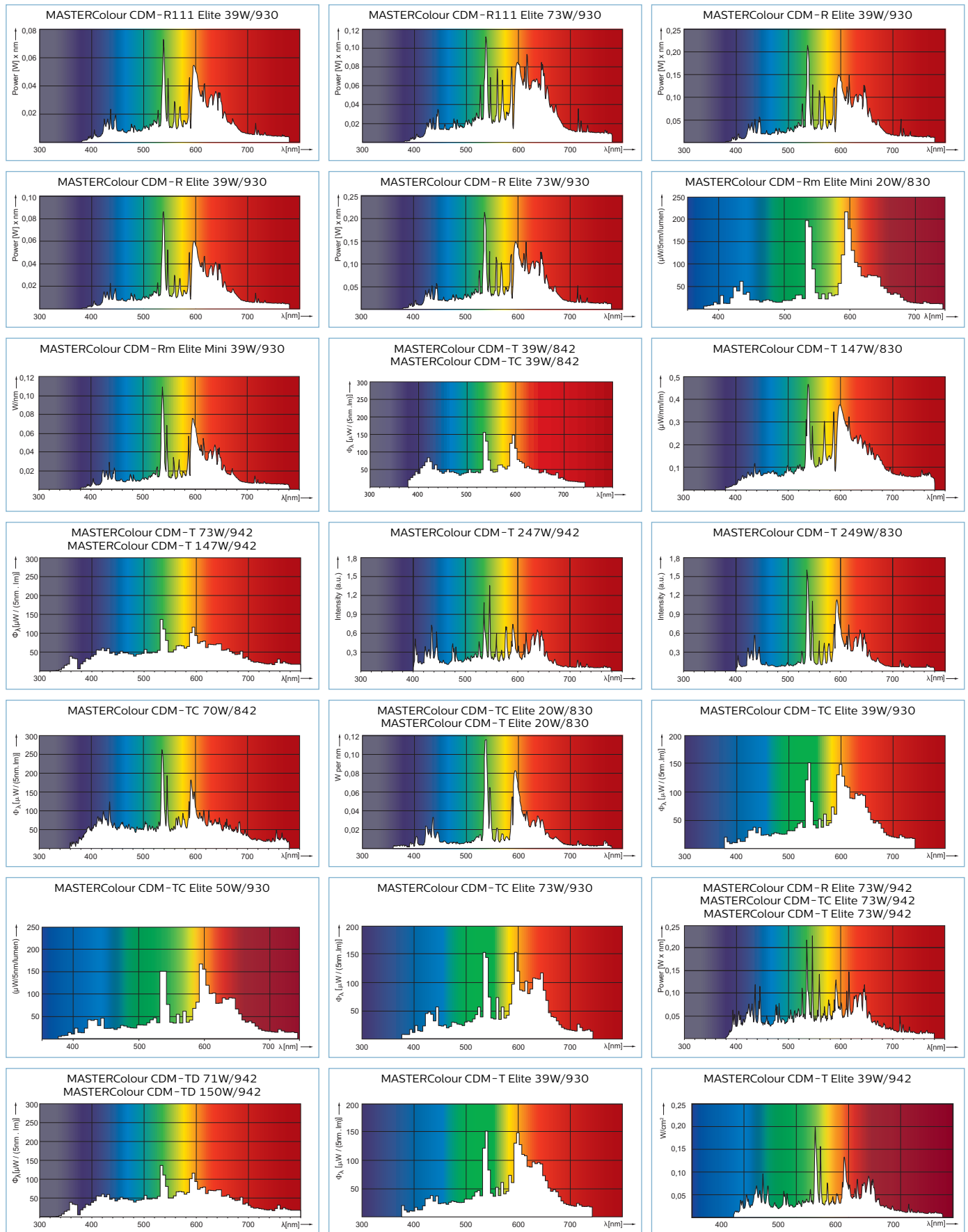
<sup>1</sup> © value description(s): 'P45' = Parallel +/- 45D or Horizontal(HOR)

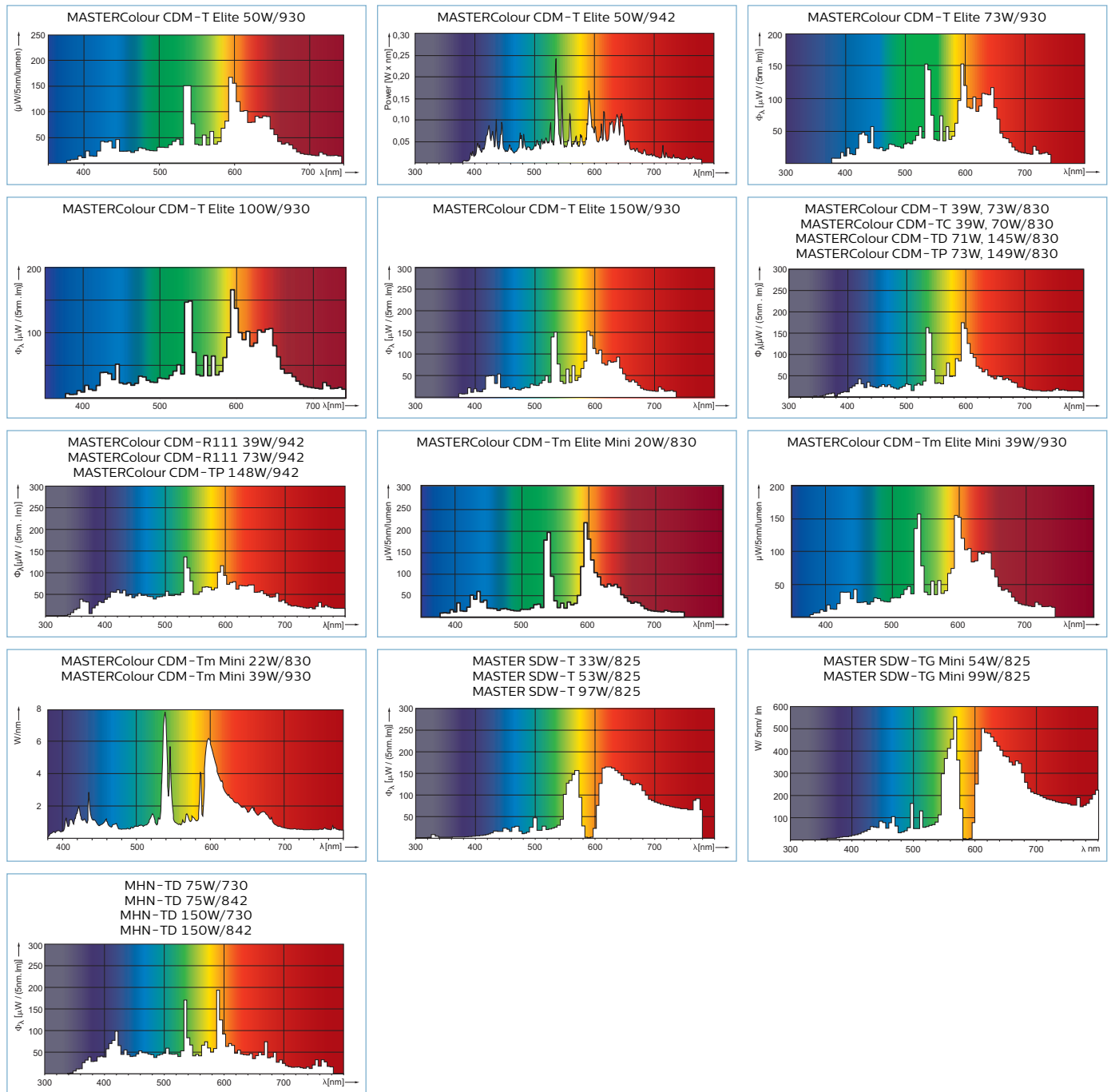
Commercial product name		National Lamp Fee <sup>2</sup>	Net Trade Price per Piece (€ net)	National Discount Group	EAN-1
MHN-TD 70W/730 RX7s 1CT/12	A+ 12	fee relevant	10,90	L2	8718291215301
MHN-TD 70W/842 RX7s 1CT/12	A 12	fee relevant	10,90	L2	8718291215325
MHN-TD 150W/730 RX7s 1CT/12	A+ 12	fee relevant	10,90	L2	8718291215349
MHN-TD 150W/842 RX7s 1CT/12	A+ 12	fee relevant	10,90	L2	8718291215363
MHN-TD 250W/842 FC2 1CT/12	A+ 12	fee relevant	51,70	L2	8711500734006

<sup>2</sup> Product fee relevant according local regulation







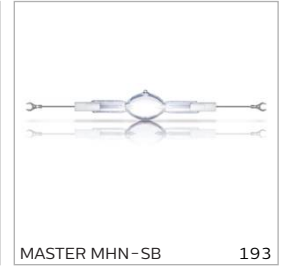




Ceramic Metal Halide ↻



Quartz Metal Halide ↻



SON High Pressure Sodium ↻



SOX Low Pressure Sodium ↻





# Phasing out – the key stages for Philips HID lamps

## Stage 1, April 13th 2010

The first stage did not have specific performance related requirements for HID lamps, only performance ratings needed to be published on the internet.

## Stage 2, April 13th 2012

Low efficiency HPS Lamps (SON) will be phased out according to the defined efficiency levels

## Intermediate stage, April 13th 2015

High pressure Mercury (HPL) and Mercury retrofit HPS lamps (SON-H) will be phased out according to the defined efficiency levels

## Stage 3, April 12th 2017

Quartz Metal Halide with wattages of 405 or below and standard Ceramic Metal Halide lamps will be phased out according to the defined efficiency levels

Timetable for discontinuation of inefficient high-pressure discharge lamps

Milestones	April 2010	April 2012	April 2015	April 2017
Inefficient High Pressure Sodium (HPS Standard) lamps	Permitted	Phasing out of inefficient HPS Standard Lamps: SON E > 70 W* & SON-T : 70 - 400 W		
Plug-in HPS lamps on HPM gear	Permitted	Phasing out of all plug-in HPS Lamps on HPM Gear: SON-H: 68/110/220/350 W		
High Pressure Mercury (HPM) lamps	Permitted	Phasing out of all HPM Lamps : ML, HPL & HPL4		
Metal Halide Lamps (MHL)	Permitted	Phasing out of inefficient Metal Halide vapour lamps: No Philips lamps impacted		Phasing out of all inefficient and low specified MHL Lamps: HPI 250-400 W

\*Excluding : SON E : 50/70 W & SON I : 50/70 W Coated types

  Permitted   Discontinuation

## MASTER CosmoWhite CPO-TW & CPO-TW Xtra



### The most energy-efficient reliable white light solution for Outdoor

New-generation ceramic metal halide lamps used in Outdoor offering efficient and pleasant white light

#### Benefits

- Attractive white light
- Excellent optical efficacy allows greater spacing between luminaires, thereby reducing investment
- Energy savings of up to 60% and very low cost of ownership

#### Features

- Highly efficient white light with extremely high system efficacy
- Long reliable lifetime; new Xtra range offering service life of up to 6 years
- Unique new burner design and positioning in combination with optimum lamp fixation (PGZ12) ensures excellent optical efficacy
- Compact size: 50% smaller than SON/HPL systems
- New electronic gear platform including dimming options

#### Environment

- Philips Green Flagship product with high efficacy minimizes environmental impact and CO<sub>2</sub> emission:

- Good environmental choice due to highest energy efficiency in combination with compact white light
- Compact size for low material and packaging use
- RoHS compliant (lead-free), very low mercury content (max. 2.5 mg), covered by WEEE

#### Application



- Urban public lighting for city centers, residential areas and roads
- Lamp optimized for horizontal position; when positioned vertically, the lifetime specification is much lower (as much as - 40%)

#### Warnings and Safety



- Use only in totally enclosed luminaire, even during testing (IEC 61167, IEC 62035, IEC 60598)
- The luminaire must be able to contain hot lamp parts if the lamp ruptures
- Use only with electronic control gear
- Control gear must include end-of-life protection (IEC 61167, IEC 62035)
- A lamp breaking is extremely unlikely to have any impact on your health. If a lamp breaks, ventilate the room for 30 minutes and remove the parts, preferably with gloves. Put them in a sealed plastic bag and take it to your local waste facilities for recycling. Do not use a vacuum cleaner.

mm	C max.	D nom.	L nom.	O nom.
1	132	19	59	14
2	143	19	66	18
3	150	19	66	22

## MASTER CosmoWhite CPO-TW PGZ12 Clear

Lamp power/Light source color	Voltage (V)	Luminous Flux (Rated) (lm)	Life to 5% Failures (h)	Life to 10% Failures (h)	Life to 50% Failures (h)			EAN-1
45W/628	91	4,950	21,500	24,000	32,000	UNIVERSAL	1	8718291150015
60W/728	92	7,200	21,500	24,000	32,000	UNIVERSAL	1	8711500208514
90W/728	92	10,800	21,500	24,000	32,000	UNIVERSAL	2	8711500211217
140W/728	94	17,600	18,000	20,000	30,000	UNIVERSAL	3	8711500208538

<sup>1</sup>  value description(s): 'UNIVERSAL' = Any or Universal (U)

Commercial product name			National Lamp Fee <sup>2</sup>	Net Trade Price per Piece (€ net)	National Discount Group	EAN-1
MASTER CosmoWhite CPO-TW Xtra 45W/628 PGZ12	A+	12	fee relevant	59,09	L2	8718291150015
MASTER CosmoWhite CPO-TW Xtra 60W/728 PGZ12	A+	12	fee relevant	59,09	L2	8711500208514
MASTER CosmoWhite CPO-TW Xtra 90W/728 PGZ12	A+	12	fee relevant	59,09	L2	8711500211217
MASTER CosmoWhite CPO-TW Xtra 140W/728 PGZ12	A+	12	fee relevant	64,70	L2	8711500208538

<sup>2</sup> Product fee relevant according local regulation



## MASTERColour CDM MW Eco



### Direct retrofit with immediate energy savings for quartz metal halide

Ceramic metal halide lamps with clear tubular or coated ellipsoid outer bulb, tailor-made to replace and outperform quartz metal halide lamps on existing gear.

#### Benefits

- Direct retrofit for various quartz metal halide lamps, operates on existing control gear (Mercury and HPS)
- Lowest total cost of ownership when relamping due to energy savings and long service life as a result of high lumen maintenance

#### Features

- Proven Philips ceramic technology (CDM) offering
- High efficacy for energy savings and more initial light
- Excellent lumen maintenance resulting in long service life
- Excellent color rendering, meeting EN 1246-1

#### Application

- Sports lighting, floodlighting of buildings and monuments, area lighting e. g. harbors and building sites, canopy lighting e. g. petrol stations
- High-bay lighting e. g. industrial workshops, exhibition halls, supermarkets, shopping malls, DIY stores, churches, airports and train stations

#### Warnings and Safety

- Use only in a totally enclosed luminaire, even during testing (IEC 61167, IEC 62035, IEC 60598)
- The luminaire must be able to contain hot lamp parts if the lamp ruptures
- For use with control gear designed for high pressure mercury or high-pressure sodium lamps with external ignitor
- A lamp breaking is extremely unlikely to have an impact on your health. If a lamp breaks, ventilate the room for 30 minutes and remove the parts, preferably with gloves. Put them in a sealed plastic bag and take it to your local waste facilities for recycling. Do not use a vacuum cleaner.
- Warm restart time can be up to 15 minutes; T15 ignitors therefore advised.

1	2	3	4
226	215	290	257
91	91	121	47
			157
			12.4
			161
			11.9

## MASTERColour MW eco

Type	Lamp power/ Light source color		Bulb Material	Voltage (V)	Bulb Finish	Luminous Flux (Rated) (lm)	Life to 10% Failures (h)	Life to 50% Failures (h)			EAN-1
CDM-E	228W/842	E40	Hard Glass	127	Coated glass	27,000	16,000	30,000	UNIVERSAL	1	8718696596647
CDM-E	360W/842	E40/45	Hard Glass	118	Coated glass	32,400	16,000	30,000	UNIVERSAL	1	8718696595688
CDM-EP	227W/940	E40		123	Clear	22,000		20,000	H	2	8718696734797
CDM-EP	360W/940	E40		118	Clear	35,000		20,000	H	3	8718696734810
CDM-T	227W/842	E40	Hard Glass	134	Clear	21,900	16,000	30,000	UNIVERSAL	4	8718696596814
CDM-T	361W/842	E40	Hard Glass	124	Clear	35,270	16,000	30,000	P45	5	8718696646106

<sup>1</sup> value description(s): 'H' = Hanging or Base Up (BU), 'P45' = Parallel +/-45D or Horizontal(HOR), 'UNIVERSAL' = Any or Universal (U)

Commercial product name			National Lamp Fee <sup>2</sup>	Net Trade Price per Piece (€ net)	National Discount Group	EAN-1
MASTERColour CDM-E MW eco 230W/842 E40	A+	12	fee relevant	41,41	L2	8718696596647
MASTERColour CDM-E MW eco 360W/842 E40	A+	12	fee relevant	45,48	L2	8718696595688
MASTERColour CDM-T MW eco 230W/842 E40	A+	12	fee relevant	41,41	L2	8718696596814
MASTERColour CDM-T MW eco 360W/842 E40	A+	12	fee relevant	45,48	L2	8718696646106
<b>N</b> MSTColour CDM-EP MW eco 230W/840 E40 CL		12	fee relevant	43,80	L2	8718696734797
<b>N</b> MSTColour CDM-EP MW eco 360W/840 E40 CL		6	fee relevant	43,80	L2	8718696734810

<sup>2</sup> Product fee relevant according local regulation

**N** = New



## MASTERColour CDM-T Elite MW



## Perfect sparkle, reliable life

The medium wattage lighting system that gives superior, longer-lasting white light for both indoor and outdoor use

## Benefits

- High quality sparkling white light
- Highest energy saving and lowest cost of ownership
- Reduced energy consumption/CO<sub>2</sub> emission
- Dimmable

## Features

- Very high-quality white light with excellent colour rendering
- Long reliable lifetime combined with highest system efficacy
- New socket design makes lamp extremely compact and improves efficiency
- New electronic gear platform

## Environment

- Excellent environmental choice because of high energy efficiency and long reliable life
- This product is a Philips Green Flagship
- This product is RoHS compliant
- This product is covered by WEEE

## Application



- Outdoor; floodlighting of buildings and other interesting structures. Illumination of roads and pedestrian areas, public spaces, car parks, petrol stations etc.
- Indoor; larger (high-bay) retail outlets, warehouses, manufacturing facilities etc.

## Warnings and Safety



- Use only in totally enclosed luminaire, even during testing, except for protected versions with PGZX18 cap, which are designed for open luminaires (IEC 61167, IEC 62035, IEC 60598)
- The luminaire must be able to contain hot lamp parts if the lamp ruptures
- Use only with electronic control gear
- Control gear must include end-of-life protection (IEC 61167, IEC 62035)
- A lamp breaking is extremely unlikely to have any impact on your health. If a lamp breaks, ventilate the room for 30 minutes and remove the parts, preferably with gloves. Put them in a sealed plastic bag and take it to your local waste facilities for recycling. Do not use a vacuum cleaner.

	C nom.	D nom.
1	186	28
2	193	38

## MASTERColour CDM-TMW Elite Clear

Lamp power/Light source color		Voltage (V)	Luminous Flux (Rated) (lm)	Life to 10% Failures (h)	Life to 50% Failures (h)	 <sup>1</sup>		EAN-1
210W/942	PGZ18	98	23,000	16,000	30,000	UNIVERSAL	1	8727900801804
315W/930	PGZ18	100	38,700	16,000	30,000	UNIVERSAL	1	8718291548010
315W/942	PGZ18	100	35,500	16,000	30,000	UNIVERSAL	1	8718291548034
315W/942	PGZX18	100	34,300	12,000	30,000	UNIVERSAL	2	8727900862157

<sup>1</sup>  value description(s): 'UNIVERSAL' = Any or Universal (U)

Commercial product name	 	National Lamp Fee <sup>2</sup>	Net Trade Price per Piece (€ net)	National Discount Group	EAN-1
CDM-T Elite 315W/930 PGZ18.1CT/12	A+ 12	fee relevant	65,00	L2	8718291548010
CDM-T Elite 315W/942 PGZ18.1CT/12	A+ 12	fee relevant	65,00	L2	8718291548034
CDM Elite TMW 315/942/U/O EU	A+ 12	fee relevant	75,30	L2	8727900862157
MASTERColour CDM-TMW Elite 210W/942 1CT	A+ 12	fee relevant	59,70	L2	8727900801804

<sup>2</sup> Product fee relevant according local regulation



## MASTER CityWhite CDO-TT



### The easiest switch to comfortable white light

Ceramic metal halide lamp with clear tubular outer bulb shape, used in outdoor offering pleasant white light

#### Benefits

- White warm color impression providing comfort and safety
- Easy upgrade from SON to white light without additional cost
- Flexible light levels and reduced energy consumption possible via dimming option

#### Features

- High-quality white light
- Directly retrofit on HPS (SON/NAV) installations for upgrade from yellow to white light
- "Plus" concept with high efficacy translates into high light output and improved lumen maintenance
- Good color rendering and harmonized warm white color temperature
- Dimmable

#### Environment

- Good environmental choice because of high energy efficiency in white light

- Products are RoHS compliant
- Products are covered by WEEE

#### Application

- Beautification and functional lighting for City centers, shopping centers and pedestrian areas, residential areas, road lighting and floodlighting

#### Warnings and Safety

- Use only in totally enclosed luminaire, even during testing (IEC 61167, IEC 62035, IEC 60598)
- The luminaire must be able to contain hot lamp parts if the lamp ruptures
- Lamps may use electromagnetic control gear or electronic gear suitable to drive CDO lamps (e. g. HID-PV Xt CDO)
- Control gear must include end-of-life protection (IEC 61167, IEC 62035)
- Warm restart time can be up to 15 minutes; T15 ignitors therefore advised
- A lamp breaking is extremely unlikely to have any impact on your health. If a lamp breaks, ventilate the room for 30 minutes and remove the parts, preferably with gloves. Put them in a sealed plastic bag and take it to your local waste facilities for recycling. Do not use a vacuum cleaner.

	mm			
	C	D	L	O
	max.	max.	nom.	nom.
1	156	36	102	5.25
2	156	36	102	7.15
3	156	36	102	7.75
4	211	47	132	8.5
5	211	47	132	10.0
6	211	46	132	10.0
7	257	47	157	12.1

## MASTER CityWhite CDO-TT Plus Clear

Lamp power/Light source color		Voltage (V)	Luminous Flux (Rated) (lm)	Life to 10% Failures (h)	Life to 50% Failures (h)			EAN-1
53W/828	E27	84	5,500	12,000	20,000	UNIVERSAL	1	8718291185611
73W/828	E27	93	7,500	12,000	27,000	UNIVERSAL	2	8718291120308
73W/942	E27	93	7,300	8,000	20,000	UNIVERSAL	3	8718696596791
97W/828	E40	97	10,500	20,000	27,000	UNIVERSAL	4	8718291120322
148W/828	E40	98	16,500	20,000	27,000	UNIVERSAL	5	8718291120346
149W/942	E40	97	16,300	8,000	20,000	UNIVERSAL	6	8718696596753
250W/830	E40	100	28,300	16,000	23,000	UNIVERSAL	7	8718291121978

<sup>1</sup> value description(s): 'UNIVERSAL' = Any or Universal (U)

Commercial product name			National Lamp Fee <sup>2</sup>	Net Trade Price per Piece (€ net)	National Discount Group	EAN-1
MASTER CityWhite CDO-TT Plus 50W/828 E27	A+	12	fee relevant	31,00	L2	8718291185611
MASTER CityWhite CDO-TT Plus 70W/828 E27	A+	12	fee relevant	31,00	L2	8718291120308
MASTER CityWhite CDO-TT Plus 70W/942 E27	A+	12	fee relevant	31,75	L2	8718696596791
MASTER CityWhite CDO-TT Plus 100W/828 E40	A+	12	fee relevant	34,20	L2	8718291120322
MASTER CityWhite CDO-TT Plus 150W/828 E40	A+	12	fee relevant	34,20	L2	8718291120346
MASTER CityWhite CDO-TT Plus 150W/942 E40	A+	12	fee relevant	32,84	L2	8718696596753
MASTER CityWhite CDO-TT Plus 250W/830 E40	A+	12	fee relevant	56,10	L2	8718291121978

<sup>2</sup> Product fee relevant according local regulation



## MASTER CityWhite CDO-ET



### The easiest switch to comfortable white light

Ceramic metal halide lamp, with opalized ovoid outer bulb shape, used in outdoor offering pleasant white light

#### Benefits

- White warm color impression providing comfort and safety
- Easy upgrade from SON to white light without additional cost
- Flexible light levels and reduced energy consumption possible via dimming option

#### Features

- High-quality white light
- Directly retrofit on HPS (SON/NAV) installations for upgrade from yellow to white light
- "Plus" concept with high efficacy translates into high light output and improved lumen maintenance
- Good color rendering and harmonized warm white color temperature
- Dimmable

#### Environment

- Good environmental choice because of high energy efficiency in white light

- Products are RoHS compliant
- Products are covered by WEEE

#### Application




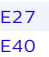

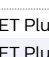
- Beautification and functional lighting for City centers, shopping centers and pedestrian areas, residential areas, road lighting and floodlighting

#### Warnings and Safety



- Use only in totally enclosed luminaire, even during testing (IEC 61167, IEC 62035, IEC 60598)
- The luminaire must be able to contain hot lamp parts if the lamp ruptures
- Lamps may use electronic or electromagnetic control gear
- Control gear must include end-of-life protection (IEC 61167, IEC 62035)
- Warm restart time can be up to 15 minutes; T15 ignitors therefore advised
- A lamp breaking is extremely unlikely to have any impact on your health. If a lamp breaks, ventilate the room for 30 minutes and remove the parts, preferably with gloves. Put them in a sealed plastic bag and take it to your local waste facilities for recycling. Do not use a vacuum cleaner.

	C max. mm	D max. mm
1	156	71
2	186	76
3	227	91

## MASTER CityWhite CDO-ET Plus Coated glass

Lamp power/Light source color		Voltage (V)	Luminous Flux (Rated) (lm)	Life to 10% Failures (h)	Life to 50% Failures (h)	 <sup>1</sup>	 mm	EAN-1
52W/828		78	5,150	12,000	20,000	UNIVERSAL	1	8718291185635
70,5W/828		88	7,050	12,000	27,000	UNIVERSAL	1	8718291158752
94W/828		90	9,400	20,000	27,000	UNIVERSAL	2	8718291158776
143W/828		90	15,100	20,000	27,000	UNIVERSAL	3	8718291158813

<sup>1</sup>  value description(s): 'UNIVERSAL' = Any or Universal (U)

Commercial product name	 	National Lamp Fee <sup>2</sup>	Net Trade Price per Piece (€ net)	National Discount Group	EAN-1
MASTER CityWhite CDO-ET Plus 50W/828 E27	A+ 24	fee relevant	31,00	L2	8718291185635
MASTER CityWhite CDO-ET Plus 70W/828 E27	A+ 24	fee relevant	31,00	L2	8718291158752
MASTER CityWhite CDO-ET Plus 100W/828 E40	A+ 12	fee relevant	34,20	L2	8718291158776
MASTER CityWhite CDO-ET Plus 150W/828 E40	A+ 12	fee relevant	34,20	L2	8718291158813

<sup>2</sup> Product fee relevant according local regulation



## MASTER MHN – SA



### Product Description

Compact quartz metal halide lamps with double-pin

#### Benefits

- Allows compact and very efficient luminaire systems with high precision optics for good beam control and minimal spill light
- Very good color rendering creates a pleasant ambience with high visual comfort for players and spectators
- Continuous spectral distribution offers a superior solution for (semi-) professional stadiums with regular TV coverage

#### Features

- Very compact source (Short Arc) with high luminous efficacy and superior color rendering
- Double-pin concept results in long lifetime
- Natural white color appearance, high color rendering and good color stability
- Daylight color temperature eases transition from daylight to artificial lighting

#### Environment

- This product is RoHS compliant
- This product is covered by WEEE

#### Application

- Professional sports lighting and floodlighting

#### Warnings and Safety

- Use only in totally enclosed luminaire, even during testing (IEC 61167, IEC 62035, IEC 60598)
- The luminaire must be able to contain hot lamp parts if the lamp ruptures
- A lamp breaking is extremely unlikely to have any impact on your health. If a lamp breaks, ventilate the room for 30 minutes and remove the parts, preferably with gloves. Put them in a sealed plastic bag and take it to your local waste facilities for recycling. Do not use a vacuum cleaner.

mm	C	D	O
	max.	max.	nom.
1	364	41	25

mm	A	C	D	O	X
	nom.	max.	max.	nom.	nom.
2	226	369	41	25	34

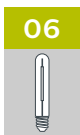
## MASTER MHN – SA Clear

Lamp power/Light source color		Voltage	Luminous Flux (Rated)	Life to 10% Failures	Life to 50% Failures			EAN - 1
		(V)	(lm)	(h)	(h)		1 mm	
1800W/956	(P)SFC	120	155,000	2,000	6,100	P15	1	8718291548263
1850W/956	(P)SFC	205	160,000	2,400	6,100	P15	1	8718291548270
2095W/956	X830R	205	226,000	2,300	5,000	P15	2	8718291548423

<sup>1</sup> value description(s): 'P15' = Parallel +/- 15D or Horizontal(HOR)

Commercial product name		National Lamp Fee <sup>2</sup>	Net Trade Price per Piece	National Discount Group	EAN - 1
			(€ net)		
MASTER MHN – SA 1800W/956 (P)SFC 230V	A+ 1	fee relevant	333,40	L2	8718291548263
MASTER MHN – SA 1800W/956 (P)SFC 400V	A+ 1	fee relevant	333,40	L2	8718291548270
MASTER MHN – SA 2000W/956 400V XW HO UNP/1	A+ 1	fee relevant	333,40	L2	8718291548423

<sup>2</sup> Product fee relevant according local regulation



## MASTER MHN-LA



### Product Description

Compact quartz metal halide lamps with double-pinch

#### Benefits

- Allows compact and efficient luminaire systems with precision optics for good beam control and minimal spill light
- Good color rendering creates a pleasant ambience with high visual comfort for players and spectators
- Continuous spectral distribution offers options for semi-professional stadiums and for professional stadiums with regular TV coverage

#### Features

- Compact source (Long Arc) with high luminous efficacy
- Double-pinch concept results in long lifetime
- Natural white color appearance, high color rendering and good color stability
- Daylight color temperature eases transition from daylight to artificial lighting

#### Environment

- This product is RoHS compliant.
- This product is covered by WEEE

#### Application

- Professional and semi-professional sports lighting and floodlighting

#### Warnings and Safety

- Use only in totally enclosed luminaire, even during testing (IEC 61167, IEC 62035, IEC 60598)
- The luminaire must be able to contain hot lamp parts if the lamp ruptures
- A lamp breaking is extremely unlikely to have any impact on your health. If a lamp breaks, ventilate the room for 30 minutes and remove the parts, preferably with gloves. Put them in a sealed plastic bag and take it to your local waste facilities for recycling. Do not use a vacuum cleaner.

	A	D	O	X
	nom.	max.	nom.	nom.
1	286	40	40.5	35
2	353	40	108.0	58

## MASTER MHN-LA X528 Clear

Lamp power/Light source color	Voltage	Luminous Flux (Rated)	Life to 10% Failures	Life to 50% Failures			EAN-1
	(V)	(lm)	(h)	(h)		1 mm	
1040W/842	125	95,800	8,000	15,000	P5	1	8718291548232
1040W/956	125	87,000	8,000	15,000	P5	1	8718291548218
2040W/842	235	220,000	6,000	13,000	P5	2	8718291548201
2040W/956	225	190,000	6,000	13,000	P5	2	8718291548225

<sup>1</sup> value description(s): 'P5' = Parallel +/- 5D or Horizontal(HOR)

Commercial product name			National Lamp Fee <sup>2</sup>	Net Trade Price per Piece	National Discount Group	EAN-1
				(€ net)		
MASTER MHN-LA 1000W/842 230V XWH	A+	1	fee relevant	312,80	L2	8718291548232
MASTER MHN-LA 1000W/956 230V XWH	A+	1	fee relevant	333,40	L2	8718291548218
MASTER MHN-LA 2000W/842 400V XWH	A+	1	fee relevant	312,80	L2	8718291548201
MASTER MHN-LA 2000W/956 400V XWH	A+	1	fee relevant	333,40	L2	8718291548225

<sup>2</sup> Product fee relevant according local regulation





## MASTER MHN-SE



### Product Description

Very compact quartz metal halide lamps with single-pin GX-22 lamp cap

#### Benefits

- Allows compact, highly efficient luminaire systems with high-precision optics for good beam control and minimal light spill
- Very good color rendering creates a pleasant ambience with high visual comfort for players and spectators
- Continuous spectral distribution offers a superior solution for professional stadiums with regular TV coverage

#### Features

- Single-pin concept for superior optical performance
- High luminous efficacy
- Natural white color appearance, very good color rendering and good color stability
- Daylight color temperature eases transition from daylight to artificial lighting

#### Environment

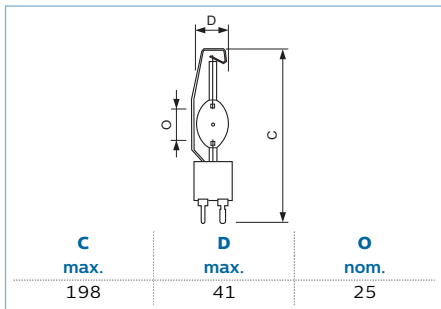
- This product is RoHS compliant
- This product is covered by WEEE

#### Application


- Professional sports lighting

#### Warnings and Safety



- Use only in totally enclosed luminaire, even during testing (IEC 61167, IEC 62035, IEC 60598)
- The luminaire must be able to contain hot lamp parts if the lamp ruptures
- A lamp breaking is extremely unlikely to have any impact on your health. If a lamp breaks, ventilate the room for 30 minutes and remove the parts, preferably with gloves. Put them in a sealed plastic bag and take it to your local waste facilities for recycling. Do not use a vacuum cleaner.



## MASTER MHN-SE GX22 210V Clear

Lamp power/Light source color	Luminous Flux (Rated) (lm)	Life to 10% Failures (h)	Life to 50% Failures (h)	 <sup>1</sup>	EAN-1
2100W/956	227,000	1,650	3,000	UNIVERSAL	8718291548461

<sup>1</sup>  value description(s): 'UNIVERSAL' = Any or Universal (U)

Commercial product name	 	National Lamp Fee <sup>2</sup>	Net Trade Price per Piece (€ net)	National Discount Group	EAN-1	
MASTER MHN-SE 2000W/956 GX22 400V HO UNP	A+	1	fee relevant	481,50	L2	8718291548461

<sup>2</sup> Product fee relevant according local regulation



## MASTER MHN-FC



### Product Description

Compact quartz metal halide lamps with double pinch

#### Benefits

- Allows compact luminaire systems with precision optics for minimal light spill
- Good color rendering creates a pleasant ambience with high visual comfort for players and spectators
- Continuous spectral distribution offers options for semi-professional stadiums and area lighting

#### Features

- Double-pinch concept results in long lifetime
- Choice of 1,000 W and 2,000 W types
- Natural white color appearance
- Compact light source allows small luminaire design

#### Environment

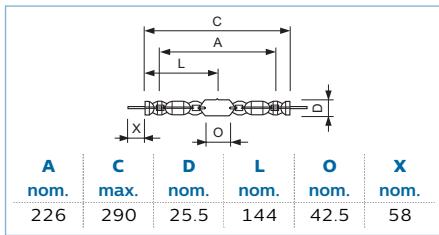
- This product is RoHS compliant
- This product is covered by WEEE

#### Application


- Recreational sports and area floodlighting


#### Warnings and Safety

- Use only in totally enclosed luminaire, even during testing (IEC 61167, IEC 62035, IEC 60598)
- The luminaire must be able to contain hot lamp parts if the lamp ruptures
- A lamp breaking is extremely unlikely to have any impact on your health. If a lamp breaks, ventilate the room for 30 minutes and remove the parts, preferably with gloves. Put them in a sealed plastic bag and take it to your local waste facilities for recycling. Do not use a vacuum cleaner.



## MASTER MHN-FC DOUBLEENDED 130V Clear

Lamp power/Light source color	Luminous Flux (Rated)	Life to 10% Failures	Life to 50% Failures		EAN-1
	(lm)	(h)	(h)		
1040W/740	93,000	8,000	12,000	P5	8718291548256

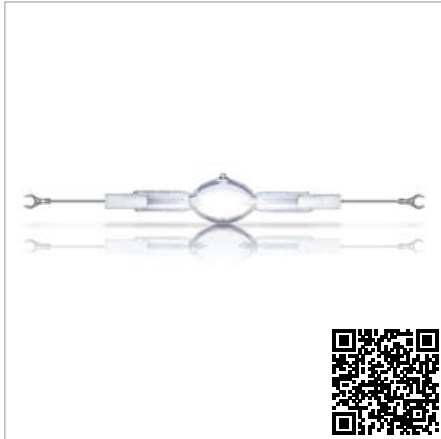
<sup>1</sup>  value description(s): 'P5' = Parallel +/- 5D or Horizontal(HOR)

Commercial product name			National Lamp Fee <sup>2</sup>	Net Trade Price per Piece	National Discount Group	EAN-1
				(€ net)		
MASTER MHN-FC 1000W/740 230V XW	A+	1	fee relevant	189,90	L2	8718291548256

<sup>2</sup> Product fee relevant according local regulation



## MASTER MHN-SB



### Optimal beam control, compact design

Compact quartz metal halide lamp with single pinch

#### Benefits

- Allows compact and efficient luminaire systems with precision optics for good beam control and minimal light spill
- Long lifetime and high reliability in Short Base outer dimensions to minimize service needs and maintenance costs
- Good color rendering for a pleasant ambience with high visual comfort

#### Features

- Compact source (Short Base lamp dimensions) with short electrode distance and high luminous efficacy
- Single pinch concept with long lifetime

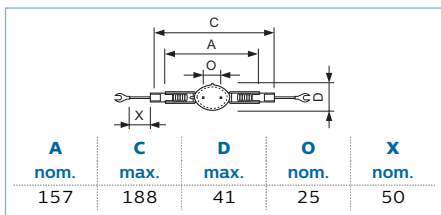
- Natural white color appearance, good color rendering and stability
- Daylight color temperature eases transition from daylight to artificial lighting

#### Application


- Semi-professional sports, area and floodlighting


#### Warnings and Safety

- Use only in totally enclosed luminaire, even during testing (IEC 61167, IEC 62035, IEC 60598)
- The luminaire must be able to contain hot lamp parts if the lamp ruptures
- A lamp breaking is extremely unlikely to have any impact on your health. If a lamp breaks, ventilate the room for 30 minutes and remove the parts, preferably with gloves. Put them in a sealed plastic bag and take it to your local waste facilities for recycling. Do not use a vacuum cleaner.



## MASTER MHN-SB CABLE 205V Clear

Lamp power/Light source color	Luminous Flux (Rated)	Life to 10% Failures	Life to 50% Failures		EAN-1
2070W/956	(lm) 220,000	(h) 2,300	(h) 4,500	 P15	8718291548454

<sup>1</sup>  value description(s): 'P15' = Parallel +/- 15D or Horizontal(HOR)

Commercial product name			National Lamp Fee <sup>2</sup>	Net Trade Price per Piece (€ net)	National Discount Group	EAN-1
MASTER MHN-SB 2000W/956 400V K12s-7 WH HO	A+	1	fee relevant	215,10	L2	8718291548454

<sup>2</sup> Product fee relevant according local regulation



## MASTER HPI-T Plus



### Product Description

Quartz metal halide lamps with clear outer bulb

#### Benefits

- High safety and comfort level, maintained over life
- Minimal maintenance cost
- Initial investment saving options with "Plus" - concept

#### Features

- Clear tubular outer bulb
- Unique 3 - band technology resulting in high luminous efficacy, both initially and over long lifetime
- Renders a natural white color appearance and good color stability

#### Environment

- Good environmental choice because of long service life
- This product is RoHS compliant
- This product is covered by WEEE

### Application

- Sports lighting, floodlighting of buildings and monuments, area lighting e. g. harbours and building sites, canopy lighting e. g. petrol stations, horticultural lighting

### Warnings and Safety

- Use only in totally enclosed luminaire, even during testing (IEC 61167, IEC 62035, IEC 60598)
- The luminaire must be able to contain hot lamp parts if the lamp ruptures
- For use with control gear designed for high - pressure mercury or sodium lamps
- A lamp breaking is extremely unlikely to have any impact on your health. If a lamp breaks, ventilate the room for 30 minutes and remove the parts, preferably with gloves. Put them in a sealed plastic bag and take it to your local waste facilities for recycling. Do not use a vacuum cleaner.

## E40

Type	Lamp power/Light source color	Luminous Flux (Rated) (lm)	EAN - 1		
MASTER HPI - T Plus	450W/645	42,500	8718696736531		
Commercial product name	 National Lamp Fee <sup>1</sup>	Net Trade Price per Piece (€ net)	National Discount Group	EAN - 1	
MASTER HPI - T Plus 450W/645 E40	12	25,80	L2	8718696736531	

<sup>1</sup> Product fee relevant according local regulation



## MASTER HPI Plus



### Product Description

Quartz metal halide lamps with opalized outer bulb

#### Benefits

- High safety and comfort level, maintained over life
- Minimal maintenance cost
- Initial investment saving options with "Plus" - concept

#### Features

- Ovoid, internally white coated outer bulb
- Unique 3 - band technology resulting in high luminous efficacy, both initially and over long lifetime

#### Environment

- Good environmental choice because of long service life
- This product is RoHS compliant
- This product is covered by WEEE

### Application

- High bay lighting, e. g. industrial workshops, exhibition halls, hypermarkets, shopping malls, DIY stores, churches, airports and train stations

### Warnings and Safety

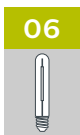
- Use only in totally enclosed luminaire, even during testing (IEC 61167, IEC 62035, IEC 60598)
- The luminaire must be able to contain hot lamp parts if the lamp ruptures
- For use with control gear designed for high - pressure mercury or sodium lamps
- A lamp breaking is extremely unlikely to have any impact on your health. If a lamp breaks, ventilate the room for 30 minutes and remove the parts, preferably with gloves. Put them in a sealed plastic bag and take it to your local waste facilities for recycling. Do not use a vacuum cleaner.

## E40

Type	Lamp power/Light source color	Luminous Flux (Rated) (lm)	EAN - 1
MASTER HPI Plus	450W/645	42,500	8718696736555

Commercial product name		National Lamp Fee <sup>1</sup>	Net Trade Price per Piece (€ net)	National Discount Group	EAN - 1
MASTER HPI Plus 450W/645 BU E40	6	fee relevant	24,40	L2	8718696736555

<sup>1</sup> Product fee relevant according local regulation



## HPI-T High Wattage



### Product Description

Quartz metal halide lamps with clear outer bulb

#### Benefits

- High safety and comfort level, maintained over life
- Minimal maintenance cost

#### Features

- Clear tubular outer bulb
- Unique 3-band technology resulting in high luminous efficacy, both initially and over long lifetime
- Renders a natural white color appearance and good color stability

#### Environment

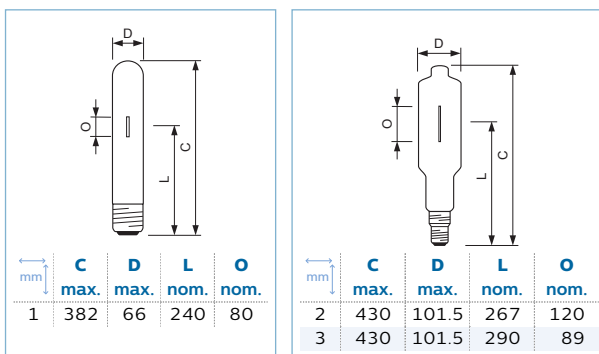
- International text to be defined

### Application


- Sports lighting, floodlighting of buildings and monuments, area lighting e. g. harbours and building sites

### Warnings and Safety



- Use only in totally enclosed luminaire, even during testing (IEC 61167, IEC 62035, IEC 60598)
- The luminaire must be able to contain hot lamp parts if the lamp ruptures
- For use with control gear designed for high-pressure mercury lamps
- A lamp breaking is extremely unlikely to have any impact on your health. If a lamp breaks, ventilate the room for 30 minutes and remove the parts, preferably with gloves. Put them in a sealed plastic bag and take it to your local waste facilities for recycling. Do not use a vacuum cleaner.



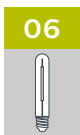
## HPI-T E40 Clear

Lamp power/Light source color	Lamp system description	Voltage (V)	Luminous Flux (Rated) (lm)	Life to 10% Failures (h)	Life to 50% Failures (h)	 1 mm	EAN-1
985W/543	High Output	130	85,000	5,500	12,000	P	8711500183736
1955W/542		232	210,000	5,500	12,000	P20	8711500202352
1960W/646		130	189,000	5,500	12,000	P75	8711500183767

<sup>1</sup> © value description(s): 'P' = Parallel or Horizontal(HOR), 'P20' = Parallel +/- 20D or Horizontal(HOR), 'P75' = Parallel +/- 75D or Horizontal(HOR)

Commercial product name	 	National Lamp Fee <sup>2</sup>	Net Trade Price per Piece (€ net)	National Discount Group	EAN-1
HPI-T 1000W/543 E40 1SL/4	A	4	120,80	L2	8711500183736
HPI-T 2000W/542 E40 380V 1SL/4	A+	4	156,30	L2	8711500202352
HPI-T 2000W/646 E40 220V CRP/4	A+	4	156,30	L2	8711500183767

<sup>2</sup> Product fee relevant according local regulation





## MASTER SON-T APIA Plus Xtra



### The longest life and most reliable solution in road lighting

High Pressure Sodium lamp with clear tubular outer bulb shape, high output and longest reliable lifetime

#### Benefits

- Most - cost effective solution (both initial as well as running cost) in this category
- 6 years service life
- Highest lumen output, maintained over life

#### Features

- Completely lead-free lamps with tubular outer bulb
- Ceramic discharge tube with new Active Philips Integrated Antenna (APIA) for up to 6 years service lifetime (Xtra)
- Robust construction with few welding points is highly vibration- and shock-resistant, further reducing early failures and extending lamp life
- "Plus" concept with high efficacy for high light output
- Special versions of the 250 W and 400 W lamps of the MASTER SON(-T) APIA Plus Xtra range are compatible with electronic gear using HF operation of the lamps. HF Control gear requirements (LDI guideline) and lamp performance specifications on HF ballasts can be obtained from the local Philips representative

#### Environment

- Good environmental choice because of high energy efficiency and longest reliable life
- Products are RoHS compliant
- Products are covered by WEEE

#### Application

- Road and residential lighting
- Decorative floodlighting, illumination
- Industrial area lighting
- Recreational sports facilities indoor and outdoor

#### Warnings and Safety

- Control gear must include end-of-life protection (IEC 60662, IEC 62035)
- HF gear must comply with Philips LDI guideline
- A lamp breaking is extremely unlikely to have any impact on your health. If a lamp breaks, ventilate the room for 30 minutes and remove the parts, preferably with gloves. Put them in a sealed plastic bag and take it to your local waste facilities for recycling. Do not use a vacuum cleaner.

mm	C max.	D max.	L nom.	O nom.
1	156	36	102	35
2	156	36	102	42
3	210	48	132	47
4	210	48	132	61
5	257	48	158	65
6	283	48	175	83

## MASTER SON-T APIA Plus Xtra External Ignitor Clear

Lamp power (W)	Voltage (V)	Luminous Flux (Rated) (lm)	Life to 10% Failures (h)	Life to 50% Failures (h)	1	mm	EAN - 1
54	E27	4,500	25,000	38,000	UNIVERSAL	1	8727900933581
75	E27	7,300	28,000	40,000	UNIVERSAL	2	8727900922905
100	E40	10,700	28,000	40,000	UNIVERSAL	3	8727900923230
154	E40	18,000	32,000	45,000	UNIVERSAL	4	8727900927337
250	E40	33,300	32,000	45,000	UNIVERSAL	5	8727900927375
390	E40	55,000	32,000	45,000	UNIVERSAL	6	8727900927412

<sup>1</sup> value description(s): 'UNIVERSAL' = Any or Universal (U)

Commercial product name		National Lamp Fee <sup>2</sup>	Net Trade Price per Piece (€ net)	National Discount Group	EAN - 1
MASTER SON-T APIA Plus Xtra 50W E27 1SL/12	A 12	fee relevant	14,70	L2	8727900933581
MASTER SON-T APIA Plus Xtra 70W E27 1SL/12	A+ 12	fee relevant	14,70	L2	8727900922905
MASTER SON-T APIA Plus Xtra 100W E40 1SL/12	A+ 12	fee relevant	17,40	L2	8727900923230
MASTER SON-T APIA Plus Xtra 150W E40 1SL/12	A+ 12	fee relevant	19,90	L2	8727900927337
MASTER SON-T APIA Plus Xtra 250W E40 1SL/12	A+ 12	fee relevant	22,60	L2	8727900927375
MASTER SON-T APIA Plus Xtra 400W E40 1SL/12	A++ 12	fee relevant	25,60	L2	8727900927412

<sup>2</sup> Product fee relevant according local regulation

## MASTER SON APIA Plus Xtra



### The highly efficient and most reliable solution in road lighting

High Pressure Sodium lamp with opalized outer bulb, high output and longest reliable lifetime

#### Benefits

- Most - cost effective solution (both initial as well as running cost) in this category
- 6 years service life
- Highest lumen output, maintained over life

#### Features

- Ovoid - shaped coated outer bulb
- Ceramic discharge tube with new Active Philips Integrated Antenna (APIA) concept for an improved and prolonged lifetime of up to 6 years
- "Plus" concept with high efficacy translates into high light output and improved lumen maintenance
- Robust construction with few welding points is highly vibration - and shock - resistant, further reducing early failures and extending lamp life
- Dimmable

#### Environment

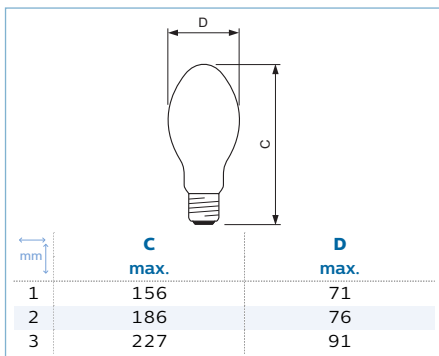
- Good environmental choice because of high energy efficiency and longest reliable life
- Products are RoHS compliant
- Products are covered by WEEE

#### Application



- Road and residential lighting
- Decorative floodlighting, illumination
- Industrial area lighting
- Recreational sports facilities indoor and outdoor

#### Warnings and Safety



- Control gear must include end - of - life protection (IEC 60662, IEC 62035)
- A lamp breaking is extremely unlikely to have any impact on your health. If a lamp breaks, ventilate the room for 30 minutes and remove the parts, preferably with gloves. Put them in a sealed plastic bag and take it to your local waste facilities for recycling. Do not use a vacuum cleaner.



## MASTER SON APIA Plus Xtra External Ignitor Coated glass

Lamp power (W)	Voltage (V)	Luminous Flux (Rated) (lm)	Life to 10% Failures (h)	Life to 50% Failures (h)		 mm	EAN - 1
76.5	E27	6,900	28,000	40,000	UNIVERSAL	1	8727900928174
100.0	E40	10,000	28,000	40,000	UNIVERSAL	2	8727900927436
154.0	E40	17,500	32,000	45,000	UNIVERSAL	3	8727900927450

<sup>1</sup>  value description(s): 'UNIVERSAL' = Any or Universal (U)

Commercial product name	 	National Lamp Fee <sup>2</sup>	Net Trade Price per Piece (€ net)	National Discount Group	EAN - 1
MASTER SON APIA Plus Xtra 70W E27 1SL/24	A+ 24	fee relevant	19,80	L2	8727900928174
MASTER SON APIA Plus Xtra 100W E40 1SL/12	A+ 12	fee relevant	23,70	L2	8727900927436
MASTER SON APIA Plus Xtra 150W E40 1SL/12	A+ 12	fee relevant	27,40	L2	8727900927450

<sup>2</sup> Product fee relevant according local regulation



## MASTER SON-T PIA Plus



### The most reliable solution in road lighting

High Pressure Sodium lamp with clear tubular outer bulb, high output and long reliable lifetime

#### Benefits

- Initial investment saving options with "Plus" concept
- High lumen output, maintained over life
- Minimal maintenance cost

#### Features

- Clear tubular outer bulb
- Ceramic discharge tube with Unique Philips Integrated Antenna (PIA) concept enabling long and reliable lifetime
- "Plus" concept with high efficacy translates into high light output and improved lumen maintenance
- Robust construction with few welding points is highly vibration- and shock-resistant, further reducing early failures and extending lamp life
- Dimmable

#### Environment

- Good environmental choice because of high energy efficiency and long reliable life
- Products are RoHS compliant
- Products are covered by WEEE

#### Application



- Road and residential lighting
- Decorative floodlighting, illumination
- Industrial area lighting
- Recreational sports facilities indoor and outdoor


#### Warnings and Safety



- Control gear must include end-of-life protection (IEC 60662, IEC 62035)
- A lamp breaking is extremely unlikely to have any impact on your health. If a lamp breaks, ventilate the room for 30 minutes and remove the parts, preferably with gloves. Put them in a sealed plastic bag and take it to your local waste facilities for recycling. Do not use a vacuum cleaner.

	C		D		L		O	
	max.	nom.	max.	nom.	nom.	nom.		
1	156		36		104.0		35	
2	156		36		104.0		42	
3	210		48		132.0		47	
4	210		48		132.0		61	
5	257	44.45			158.0		64	
6	279		48		175.0		83	
7	279		47		174.2		126	

## MASTER SON-T PIA Plus External Ignitor Clear

Lamp power/Light source color	Voltage (V)	Luminous Flux (Rated) (lm)	Life to 10% Failures (h)	Life to 50% Failures (h)		 mm	EAN - 1	
53W/220	E27	85	4,400	17,000	30,000	UNIVERSAL	1	8711500192653
73W/220	E27	90	6,600	20,000	30,000	UNIVERSAL	2	8711500192660
100W/220	E40	100	10,700	21,000	36,000	UNIVERSAL	3	8711500192301
154W/220	E40	100	17,700	24,000	36,000	UNIVERSAL	4	8711500192295
250W/220	E40	100	33,000	24,000	36,000	UNIVERSAL	5	8711500179876
400W/220	E40	100	55,800	24,000	36,000	UNIVERSAL	6	8711500179883
603W/220	E40	110	86,500	15,000	30,000	UNIVERSAL	7	8711500197429

<sup>1</sup>  value description(s): 'UNIVERSAL' = Any or Universal (U)

Commercial product name			National Lamp Fee <sup>2</sup>	Net Trade Price per Piece (€ net)	National Discount Group	EAN - 1
MASTER SON-T PIA Plus 50W/220 E27 1SL/12	A	12	fee relevant	9,80	L2	8711500192653
MASTER SON-T PIA Plus 70W/220 E27 1SL/12	A+	12	fee relevant	9,80	L2	8711500192660
MASTER SON-T PIA Plus 100W/220 E40 1SL/12	A+	12	fee relevant	11,90	L2	8711500192301
MASTER SON-T PIA Plus 150W/220 E40 - 1SL/12	A+	12	fee relevant	14,10	L2	8711500192295
MASTER SON-T PIA Plus 250W E E40 1SL/12	A+	12	fee relevant	15,10	L2	8711500179876
MASTER SON-T PIA Plus 400W E E40 1SL/12	A++	12	fee relevant	16,80	L2	8711500179883
MASTER SON-T PIA Plus 600W/220 E40 1SL/12	A++	12	fee relevant	52,60	L2	8711500197429

<sup>2</sup> Product fee relevant according local regulation



## MASTER SON PIA Plus



### The most reliable solution in road lighting

High Pressure Sodium lamp with opalized ovoid outer bulb, high output and long reliable lifetime

#### Benefits

- High efficacy/lumen output resulting in low energy cost
- Long and reliable lifetime reducing maintenance cost
- Constant light over lifetime

#### Features

- Ovoid, white coated outer bulb
- Ceramic discharge tube with Unique Philips Integrated Antenna (PIA) concept enabling long and reliable lifetime
- "Plus" concept with high efficacy translates into high light output and improved lumen maintenance
- Robust construction with few welding points is highly vibration- and shock-resistant, further reducing early failures and extending lamp life

#### Environment

- Good environmental choice because of high energy efficiency and long reliable life
- Products are RoHS compliant
- Products are covered by WEEE

#### Application



- Road and residential lighting
- Decorative floodlighting, illumination
- Industrial area lighting
- Recreational sports facilities, indoor and outdoor


#### Warnings and Safety



- Control gear must include end-of-life protection (IEC 60662, IEC 62035)
- A lamp breaking is extremely unlikely to have any impact on your health. If a lamp breaks, ventilate the room for 30 minutes and remove the parts, preferably with gloves. Put them in a sealed plastic bag and take it to your local waste facilities for recycling. Do not use a vacuum cleaner.

	C max. mm	D max. mm
1	152	70
2	186	76
3	227	91
4	290	122

## MASTER SON PIA Plus Coated glass

Lamp power/Light source color	Lamp system description	Voltage (V)	Luminous Flux (Rated) (lm)	Life to 10% Failures (h)	Life to 50% Failures (h)		 mm	EAN-1
71.5W/220	E27 Internal Ignitor	92	5,900	17,000	30,000	UNIVERSAL	1	8711500204264
100W/220	E40 External Ignitor	100	9,700	21,000	36,000	UNIVERSAL	2	8711500182258
154W/220	E40 External Ignitor	100	16,100	24,000	36,000	UNIVERSAL	3	8711500182289
260W/220	E40 External Ignitor	100	30,900	24,000	36,000	UNIVERSAL	3	8711500193445
405W/220	E40 External Ignitor	105	55,400	24,000	36,000	UNIVERSAL	4	8711500193452

<sup>1</sup>  value description(s): 'UNIVERSAL' = Any or Universal (U)

Commercial product name			National Lamp Fee <sup>2</sup>	Net Trade Price per Piece (€ net)	National Discount Group	EAN-1
MASTER SON PIA Plus 70W/220   E27 1CT/24	A+	24	fee relevant	13,50	L2	8711500204264
MASTER SON PIA Plus 100W/220 E40 1SL/12	A+	12	fee relevant	15,40	L2	8711500182258
MASTER SON PIA Plus 150W/220 E40 1SL/12	A+	12	fee relevant	17,20	L2	8711500182289
MASTER SON PIA Plus 250W/220 E40 1SL/12	A+	12	fee relevant	19,70	L2	8711500193445
MASTER SON PIA Plus 400W/220 E40 1SL/12	A++	12	fee relevant	23,40	L2	8711500193452

<sup>2</sup> Product fee relevant according local regulation



## SON-T



### Product Description

High Pressure Sodium lamp with clear tubular outer bulb

#### Benefits

- SON-T is a cost-efficient and reliable solution in High Pressure Sodium

#### Features

- Clear tubular outer bulb
- High luminous efficacy
- Robust construction is vibration- and shock-resistant leading to a reliable life
- Dimming possible with dedicated gear

#### Environment

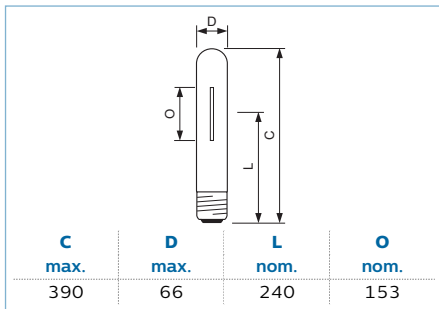
- International text to be defined

#### Application


- Road and residential lighting
- Decorative floodlighting
- Commercial and industrial applications
- Recreational sports facilities indoor and outdoor

#### Warnings and Safety

- Control gear must include end-of-life protection (IEC 60662, IEC 62035)
- A lamp breaking is extremely unlikely to have any impact on your health. If a lamp breaks, ventilate the room for 30 minutes and remove the parts, preferably with gloves. Put them in a sealed plastic bag and take it to your local waste facilities for recycling. Do not use a vacuum cleaner.



### SON-T E40 External Ignitor 100V Clear

Lamp power/Light source color	Luminous Flux (Rated) (lm)	Life to 10% Failures (h)	Life to 50% Failures (h)	 <sup>1</sup>	EAN-1
960W/220	130,000	10,000	20,000	UNIVERSAL	8711500184122

<sup>1</sup>  value description(s): 'UNIVERSAL' = Any or Universal (U)

Commercial product name			National Lamp Fee <sup>2</sup>	Net Trade Price per Piece (€ net)	National Discount Group	EAN-1
SON-T 1000W E40 1SL/4	A++	4	fee relevant	105,20	L2	8711500184122

<sup>2</sup> Product fee relevant according local regulation



## SON



### Product Description

High Pressure Sodium lamp with opalized ovoid outer bulb

#### Benefits

- SON is a cost-efficient and reliable solution in High Pressure Sodium

#### Features

- Ovoid, internally white coated outer bulb
- High luminous efficacy
- Robust construction is vibration- and shock-resistant leading to a reliable life
- Dimming possible with dedicated gear

#### Environment

- International text to be defined

#### Application



- Road and residential lighting
- Decorative floodlighting
- Commercial and industrial applications


#### Warnings and Safety



- Control gear must include end-of-life protection (IEC 60662, IEC 62035)
- A lamp breaking is extremely unlikely to have any impact on your health. If a lamp breaks, ventilate the room for 30 minutes and remove the parts, preferably with gloves. Put them in a sealed plastic bag and take it to your local waste facilities for recycling. Do not use a vacuum cleaner.

	C max.	D max.
1	156	71
2	155	71

### SON E27 Coated glass

Lamp power/ Light source color	Lamp system description	Voltage (V)	Luminous Flux (Rated) (lm)	Life to 10% Failures (h)	Life to 50% Failures (h)		 mm	EAN-1
50W/220	External Ignitor	85	3,500	15,000	28,000	UNIVERSAL	1	8711500181954
70W/220	External Ignitor	90	5,600	13,000	28,000	UNIVERSAL	1	8711500210241
70W/220	Internal Ignitor	90	5,600	13,000	28,000	UNIVERSAL	2	8711500181862

<sup>1</sup>  value description(s): 'UNIVERSAL' = Any or Universal (U)

Commercial product name	 	National Lamp Fee <sup>2</sup>	Net Trade Price per Piece (€ net)	National Discount Group	EAN-1
SON 50W/220 E27 1CT/24	A 24	fee relevant	9,50	L2	8711500181954
SON 70W/220 I E27 1CT/24	A+ 24	fee relevant	12,80	L2	8711500181862
SON 70W E E27 CO 1CT/24	A 24	fee relevant	9,50	L2	8711500210241

<sup>2</sup> Product fee relevant according local regulation





## MASTER SOX-E



### Product Description

Low Pressure Sodium lamp with improved efficacy

#### Benefits

- Extremely high luminous efficacy makes these the most efficient light sources

#### Features

- Uniform sodium distribution in the discharge tube by means of dimples for a more stable discharge, higher efficacy and better lumen maintenance and lamp life
- Special coating of SOX-E outer tube results in higher lamp efficacy than SOX
- Monochromatic yellow color with non-existent color rendering

#### Environment

- Good environmental choice because of highest energy efficiency
- This product is covered by WEEE

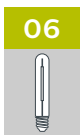
#### Application

- Road lighting, railway marshalling yards and crossings, airports, harbours and docks, quarries, foundries and rolling mills
- Security and orientation lighting


#### Warnings and Safety

- Lamps may use electronic or electromagnetic control gear



mm	C max.	D max.
1	216	52
2	311	52
3	425	52
4	528	66



## MASTER SOX-E BY22D

Power	Voltage	Luminous Flux (Rated)	Life to 50% Failures	 1 mm		EAN-1
(W)	(V)	(lm)	(h)			
18	57	1,800	18,000	H110	1	8711500192806
26	69	3,700	18,000	H110	2	8711500179746
36	120	6,100	18,000	P20	3	8711500179760
66	123	11,000	18,000	P20	4	8711500179784

<sup>1</sup> © value description(s): 'H110' = Hanging +/- 110D or Base Up (BU), 'P20' = Parallel +/- 20D or Horizontal(HOR)

Commercial product name			National Lamp Fee <sup>2</sup>	Net Trade Price per Piece	National Discount Group	EAN-1
				(€ net)		
MASTER SOX-E 18W BY22d 1SL/12	A+	12	fee relevant	86,70	L2	8711500192806
MASTER SOX-E 26W BY22d 1SL/12	A++	12	fee relevant	86,70	L2	8711500179746
MASTER SOX-E 36W BY22d 1SL/12	A++	12	fee relevant	86,70	L2	8711500179760
MASTER SOX-E 66W BY22d 1SL/12	A++	12	fee relevant	105,59	L2	8711500179784

<sup>2</sup> Product fee relevant according local regulation

## SOX



### Product Description

Low Pressure Sodium lamp

#### Benefits

- High luminous efficacy leads to low energy consumption

#### Features

- Uniform sodium distribution in the discharge tube by means of dimples for a more stable discharge, higher efficacy and better lumen maintenance and lamp life
- Monochromatic yellow color with non-existent color rendering

#### Environment

- International text to be defined

#### Application

- Road lighting, railway marshalling yards and crossings, airports, harbours and docks, quarries, foundries and rolling mills
- Security and orientation lighting

	C	D
	max.	max.
1	311	52
2	425	52
3	528	66
4	775	66
5	1120	66

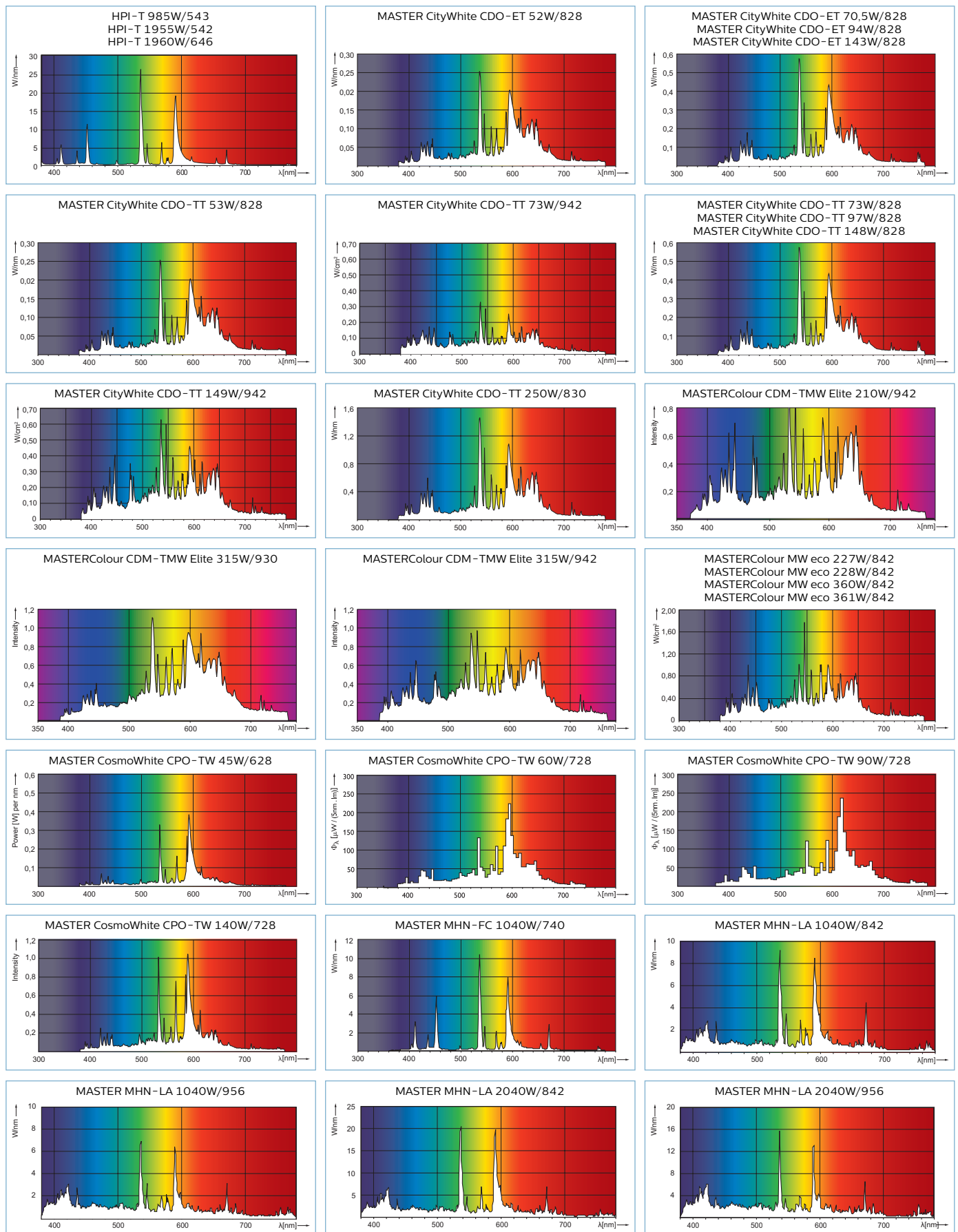
## SOX BY22D

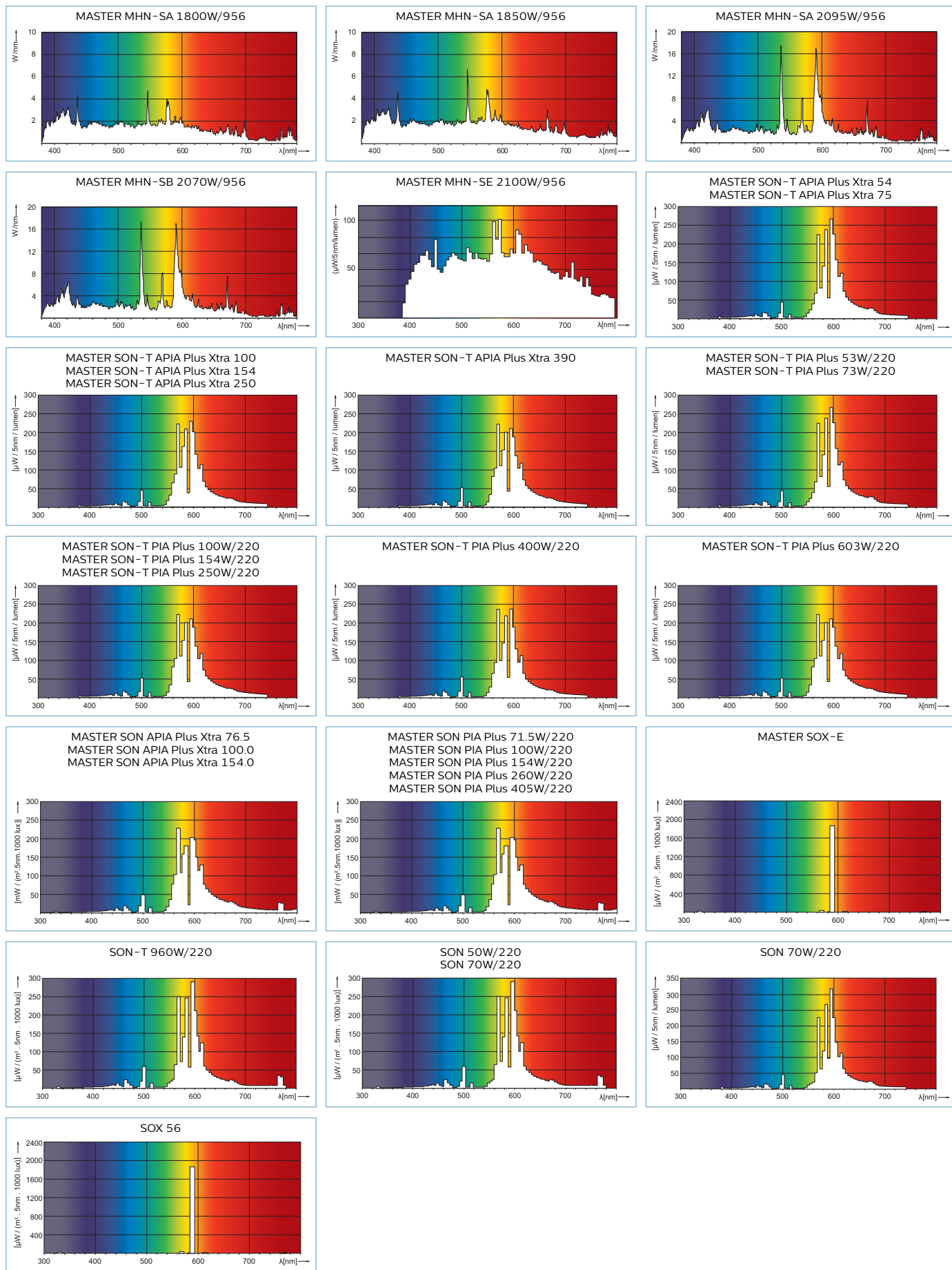
Lamp power	Power	Voltage	Luminous Flux (Rated)	Life to 50% Failures			EAN-1
(W)	(W)	(V)	(lm)	(h)		mm	
37	35	70	4,550	18,000	H110	1	8711500179739
56	55	109	7,800	18,000	H110	2	8711500179753
91	90	112	13,600	18,000	P20	3	8711500179777
135	135	164	22,600	18,000	P20	4	8711500179791
180	180	240	32,000	18,000	P20	5	8711500179814

<sup>1</sup> © value description(s): 'H110' = Hanging +/- 110D or Base Up (BU), 'P20' = Parallel +/- 20D or Horizontal(HOR)

Commercial product name			National Lamp Fee <sup>2</sup>	Net Trade Price per Piece	National Discount Group	EAN-1
				(€ net)		
SOX 35W BY22d 1SL/12	A+	12	fee relevant	86,70	L2	8711500179739
SOX 55W BY22d 1SL/12	A++	12	fee relevant	86,70	L2	8711500179753
SOX 90W BY22d 1SL/12	A++	12	fee relevant	97,50	L2	8711500179777
SOX 135W BY22d 1SL/12	A++	12	fee relevant	121,91	L2	8711500179791
SOX 180W BY22d 1SL/6	A++	6	fee relevant	189,59	L2	8711500179814

<sup>2</sup> Product fee relevant according local regulation







LV Halogen with Reflector ⇨



LV Halogen without Reflector ⇨



MV Halogen without Reflector ⇨





## MASTERLine ES



### Highly energy-efficient spot of crisp white light

Low-voltage halogen burner with very high energy efficiency and long lifetime thanks to IRR coating in glass reflector. Ideal solution for small decorative luminaires, putting your objects in the spotlight. Dichroic coating prevents heat transmission onto the object.

#### Benefits

- Bright, sparkling halogen light to put your objects in the spotlight
- Fully dimmable, from 0 to 100%, to meet different brightness requirements
- Lowest replacement cost due to extra long lifetime

#### Features

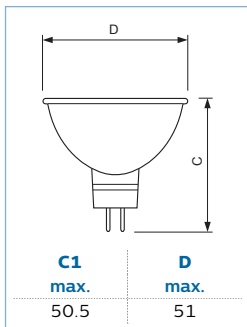
- Superior quality of light with excellent color rendering ( $R_a = 100$ )
- Dichroic coating
- Lifetime: 5,000 hours
- Universal burning position
- Instant start

#### Environment


- Excellent environmental choice because of high energy efficiency and long reliable life
- This product is a Philips Green Flagship



#### Application

- Spot accent lighting to create the right ambiance in hotels, restaurants and shops



### MASTERLine ES GU5.3 12V

Bulb Shape	Lamp power (W)		Luminous Intensity (cd [max.])	Luminous Flux (Rated) (lm)	Rated Lifetime (h)	EAN-1
MR16	20	36	1,000	300	5,000	8711500413673
MR16	30	24	3,150	540	5,000	8711500413758
MR16	30	36	1,600	540	5,000	8711500413789
MR16	35	24	4,100	640	5,000	8711500413970
MR16	35	36	2,200	640	5,000	8711500424327
MR16	35	60	1,050	640	5,000	8711500424358
MR16	45	36	2,850	830	5,000	8711500424440
MR16	45	60	1,300	830	5,000	8711500424471

Commercial product name			Net Trade Price per Piece (€ net)	National Discount Group	EAN-1
Z MASTERLine ES 20W GU5.3 12V 36D 1CT/4X5F	B	20	5,12	L2	8711500413673
Z MASTERLine ES 30W GU5.3 12V 24D 1CT/4X5F	B	20	5,12	L2	8711500413758
Z MASTERLine ES 30W GU5.3 12V 36D 1CT/4X5F	B	20	5,12	L2	8711500413789
Z MASTERLine ES 35W GU5.3 12V 24D 1CT/4X5F	B	20	5,12	L2	8711500413970
Z MASTERLine ES 35W GU5.3 12V 36D 1CT/4X5F	B	20	5,12	L2	8711500424327
Z MASTERLine ES 35W GU5.3 12V 60D 1CT/4X5F	B	20	5,12	L2	8711500424358
Z MASTERLine ES 45W GU5.3 12V 36D 1CT/4X5F	B	20	5,12	L2	8711500424440
Z MASTERLine ES 45W GU5.3 12V 60D 1CT/4X5F	B	20	5,12	L2	8711500424471

Z = available until stock lasts



## MASTERLine 111


**Spot of crisp white light from modern-looking aluminum reflector**

Low-voltage halogen burner with very high energy efficiency and long lifetime thanks to IRR coating in decorative aluminum reflector equipped with ceramic anti-glare cap. Ideal solution for high-end modern luminaires, putting your objects in the spotlight. Aluminum coating prevents heat in the backlight.

**Benefits**

- Bright, sparkling halogen light to put your objects in the spotlight
- Fully dimmable, from 0 to 100%, to meet different brightness requirements
- Lowest replacement cost due to extra-long lifetime

**Features**

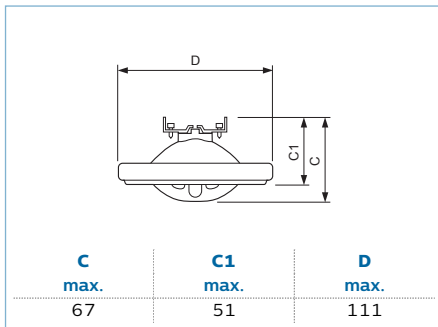
- Superior quality of light with excellent color rendering ( $R_a = 100$ )
- Low-pressure technology with UV-block glass allows use in luminaires without front glass
- Unique infra-red coated burner technology
- Lifetime: 4,000 hours
- Instant start

**Environment**

- Excellent environmental choice because of high energy efficiency and long reliable life
- This product is a Philips Green Flagship

**Application**

- Spot accent lighting to create the right ambiance in hotels, restaurants and shops



## MASTERLine 111 G53 12V

Bulb Shape	Lamp power (W)	Beam angle (°)	Luminous Intensity	Luminous Flux (Rated)	Rated Lifetime	EAN - 1
			(cd [max.])	(lm)	(h)	
R111	30	8	23,000	325	4,000	8711500411013
R111	30	24	3,600	390	4,000	8711500411037
R111	45	8	30,000	540	4,000	8711500411051
R111	45	24	5,300	640	4,000	8711500411075
R111	45	45	1,800	640	4,000	8711500411099
R111	60	24	7,700	840	4,000	8711500411150
R111	60	45	2,400	840	4,000	8711500411136

Commercial product name	Energy label	Eco-label	Net Trade Price per Piece		National Discount Group	EAN - 1
				(€ net)		
Z MASTERLine 111 30W G53 12V 8D 1CT/6	C	6		10,41	L2	8711500411013
Z MASTERLine 111 30W G53 12V 24D 1CT/6	B	6		10,41	L2	8711500411037
Z MASTERLine 111 45W G53 12V 8D 1CT/6	C	6		10,41	L2	8711500411051
Z MASTERLine 111 45W G53 12V 24D 1CT/6	B	6		10,41	L2	8711500411075
Z MASTERLine 111 45W G53 12V 45D 1CT/6	B	6		10,41	L2	8711500411099
Z MASTERLine 111 60W G53 12V 24D 1CT/6	C	6		10,41	L2	8711500411150
Z MASTERLine 111 60W G53 12V 45D 1CT/6	C	6		10,41	L2	8711500411136

Z = available until stock lasts

## Brilliantline Dichroic


**Spot of bright, white light**

Superior-quality low-voltage halogen burner in glass reflector. Ideal solution for small decorative luminaires, putting your objects in the spotlight. Dichroic coating prevents heat transmission onto the object.

**Benefits**

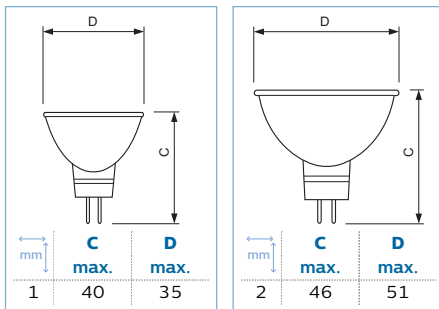
- Bright, sparkling halogen light to put your objects in the spotlight
- Fully dimmable, from 0 to 100%, to meet different brightness requirements
- Lower replacement costs due to longer burning hours

**Features**

- Superior quality of light with excellent color rendering ( $R_a = 100$ )
- Low-pressure technology with UV-block glass allows use in luminaires without front glass
- Dichroic coating
- Universal burning position
- Instant start

**Application**

- Spot accent lighting to create the right ambiance in hotels, restaurants and shops



## Brilliantline Dichroic 12V Clear

Bulb Shape	Lamp power (W)	Base	Beam angle (°)	Luminous Intensity (cd [max.])	Luminous Flux (Rated) (lm)	Rated Lifetime (h)	Height (mm)	EAN-1
MR11	20	GU4	30	900	215	4,000	1	8711500425409
MR16	20	GU5.3	24	1,800	236	4,000	2	8711500424716
MR16	20	GU5.3	36	665	236	4,000	2	8711500424846
MR16	20	GU5.3	60	350	236	4,000	2	8711500424877
MR11	35	GU4	30	1,500	430	4,000	1	8711500425461
MR16	35	GU5.3	24	2,640	500	4,000	2	8711500424938
MR16	35	GU5.3	36	1,400	500	4,000	2	8711500425041
MR16	50	GU5.3	36	2,050	775	4,000	2	8711500425164
MR16	50	GU5.3	60	1,065	775	4,000	2	8711500425195

Commercial product name	Base	Beam angle (°)	Net Trade Price per Piece (€ net)	National Discount Group	EAN-1
Z Brilliantline Dichroic 20W GU4 12V 30D 1CT/10X5F	B	50	2,50	L4	8711500425409
Z Brilliantline Dichroic 20W GU5.3 12V 24D 1CT/10X5F	B	50	2,50	L4	8711500424716
Z Brilliantline Dichroic 20W GU5.3 12V 36D 1CT/10X5F	B	50	2,50	L4	8711500424846
Z Brilliantline Dichroic 20W GU5.3 12V 60D 1CT/10X5F	B	50	2,50	L4	8711500424877
Z Brilliantline Dichroic 35W GU4 12V 30D 1CT/10X5F	B	50	2,50	L4	8711500425461
Brilliantline Dichroic 35W GU5.3 12V 24D 1CT/10X5F	B	50	2,50	L4	8711500424938
Z Brilliantline Dichroic 35W GU5.3 12V 36D 1CT/10X5F	B	50	2,50	L4	8711500425041
Z Brilliantline Dichroic 50W GU5.3 12V 36D 1CT/10X5F	B	50	2,50	L4	8711500425164
Brilliantline Dichroic 50W GU5.3 12V 60D 1CT/10X5F	B	50	2,50	L4	8711500425195

Z = available until stock lasts

## Brilliantline Alu



### Spot of bright white light

Superior-quality low-voltage halogen burner in glass reflector. Ideal solution for small decorative luminaires, putting your objects in the spotlight. Aluminum coating prevents heat in the backlight.

#### Benefits

- Bright, sparkling halogen light to put your objects in the spotlight
- Fully dimmable, from 0 to 100%, to meet different brightness requirements
- Lower replacement costs due to longer burning hours

#### Features

- Superior quality of light with excellent color rendering ( $R_a = 100$ )

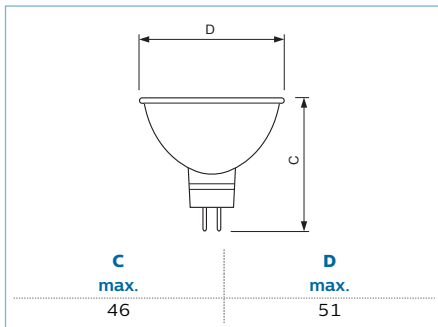
- Low-pressure technology with UV-block glass allows use in luminaires without front glass
- Universal burning position
- Lifetime: 4,000 hours
- Instant start

#### Application


- Spot accent lighting to create the right ambiance in hotels, restaurants and shops



#### Warnings and Safety

- Due to the heat that radiates from the bulb, a minimum distance of 0,5 m is required between bulb and combustible materials or objects susceptible to drying or fading.



## Brilliantline Alu GU5.3 12V Clear

Bulb Shape	Lamp power (W)	 (°)	Luminous Intensity (cd [max.])	Luminous Flux (Rated) (lm)	Rated Lifetime (h)	EAN - 1
MR16	20	36	700	230	4,000	8711500430724
MR16	35	36	1,500	460	4,000	8711500430755
MR16	50	36	2,100	780	4,000	8711500430793

Commercial product name	 	Net Trade Price per Piece (€ net)	National Discount Group	EAN - 1
Brilliantline Alu 20W GU5.3 12V MR16 36D 1CT/10X5F	B 50	3,65	L4	8711500430724
Brilliantline Alu 35W GU5.3 12V MR16 36D 1CT/10X5F	B 50	3,65	L4	8711500430755
Brilliantline Alu 50W GU5.3 12V MR16 36D 1CT/10X5F	B 50	3,65	L4	8711500430793

07



## Accentline



### Spot of crisp white light

Low-voltage halogen burner in glass reflector. Ideal solution for small decorative luminaires, putting your objects in the spotlight. Dichroic coating prevents heat transmission onto the object.

#### Benefits

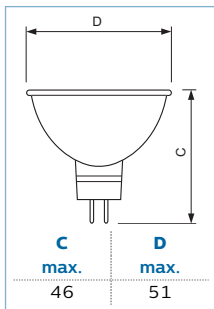
- Bright, sparkling halogen light to put your objects in the spotlight
- Fully dimmable, from 0 to 100%, to meet different brightness requirements
- Lower replacement costs due to longer burning hours

#### Features


- Superior quality of light with excellent color rendering ( $R_a = 100$ )
- Low-pressure technology with UV-block glass allows use in luminaires without front glass
- Dichroic coating
- Universal burning position
- Instant start


#### Application

- Spot accent lighting to create the right ambiance in hotels, restaurants and shops



## Accentline GU5.3 12V

Bulb Shape	Lamp power (W)	 (°)	Luminous Intensity (cd [max.])	Rated Lifetime (h)	EAN - 1
MR16	20	36	500	4,000	8718696588390
MR16	35	36	1,000	4,000	8718696588420
MR16	50	36	1,500	4,000	8718696588451

Commercial product name	 	Net Trade Price per Piece (€ net)	National Discount Group	EAN - 1
Accentline 20W 4000h GU5.3 12V 36D 1CT/10X5F	B 50	1,37	L4	8718696588390
Accentline 35W 4000h GU5.3 12V 36D 1CT/10X5F	B 50	1,37	L4	8718696588420
Accentline 50W 4000h GU5.3 12V 36D 1CT/10X5F	B 50	1,37	L4	8718696588451

07



## Aluline 111



### Spot of crisp white light from modern-looking aluminum reflector

Low-voltage halogen burner in decorative aluminum reflector equipped with antiglare cap. Ideal solution for high-end modern luminaires, putting your objects in the spot-light. Aluminum coating prevents heat in the backlight.

#### Benefits

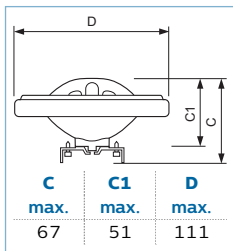
- Bright, sparkling halogen light to put your objects in the spotlight
- Fully dimmable, from 0 to 100%, to meet different brightness requirements
- Low replacement costs due to long lifetime

#### Features


- Superior quality of light with excellent color rendering ( $R_a = 100$ )
- Low-pressure technology with UV-block glass allows use in luminaires without front glass
- Aluminum coating
- Lifetime: 3,000 hours
- Instant start

#### Application



- Spot accent lighting to create the right ambiance in hotels, restaurants and shops



### Aluline 111 G53 12V

Bulb Shape	Lamp power		Luminous Intensity	Luminous Flux (Rated)	Rated Lifetime	EAN-1
	(W)	(°)	(cd [max.])	(lm)	(h)	
R111	50	24	2,900	507	4,000	8718696588666

Commercial product name			Net Trade Price per Piece	National Discount Group	EAN-1
			(€ net)		
Alu111 50W 4000h G53 12V 24D 1CT/6	C	6	6,67	L4	8718696588666

07





## Aluline 37/56



### Crisp halogen spot light from aluminum-cast reflector

Low-voltage halogen burner in specialized aluminum reflector prevents heat in the backlight; bayonet cap for secure fitting

#### Benefits

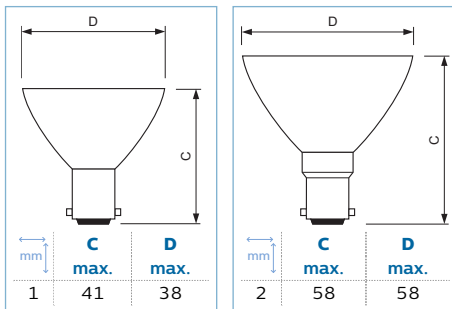
- Bright, sparkling halogen light to put your objects in the spotlight
- Fully dimmable, from 0 to 100%, to meet different brightness requirements
- Lower replacement cost due to longer burning hours

#### Features

- Superior quality of light with excellent color rendering ( $R_a = 100$ )
- Low-pressure technology with UV-block glass allows use in luminaires without front glass
- Dichroic coating
- Universal burning position
- Instant start

#### Application

- Spot accent lighting to create the right ambiance in hotels, restaurants and shops



## Aluline 12V Clear

Bulb Shape	Lamp power (W)	Beam angle (°)	Luminous Intensity (cd [max.])	Luminous Flux (Rated) (lm)	Rated Lifetime (h)	mm	EAN-1
R37	20	BA15D	6	6,400	235	1	8718696666814
R37	20	BA15D	18	1,500	235	1	8718696666753
R37	20	BA15D	32	750	235	1	8718696666784
R56	50	B15	10	12,000	760	2	8718696666876
R56	50	B15	25	2,500	760	2	8718696666906

Commercial product name	Net Trade Price per Piece (€ net)	National Discount Group	EAN-1
Aluline 20W 12V R37 6D CL 1CT/10X5F	B 50 10,00	L4	8718696666814
Aluline 20W 12V R37 18D CL 1CT/10X5F	B 50 10,00	L4	8718696666753
Aluline 20W 12V R37 32D CL 1CT/10X5F	B 50 10,00	L4	8718696666784
Aluline 50W 12V R56 10D CL 1CT/10X5F	B 50 10,00	L4	8718696666876
Aluline 50W 12V R56 25D CL 1CT/10X5F	B 50 10,00	L4	8718696666906

## MASTERCapsule



### IRR-coated halogen capsule. Compact shape, crisp white light

Low-voltage halogen capsule with very high energy efficiency and long lifetime thanks to IRR coating. Ideal solution for small decorative luminaires. UV-block glass and low-pressure filling allow usage without cover glass.

#### Benefits

- Bright, sparkling halogen light to create the right atmosphere
- Fully dimmable, from 0 to 100%, to meet different brightness requirements
- Lowest replacement cost due to extra-long lifetime

#### Features

- Superior quality of light with excellent color rendering ( $R_a = 100$ )

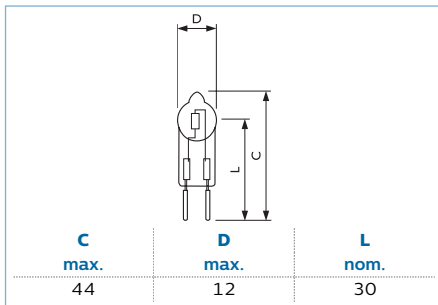
- Low-pressure technology with UV-block glass allows use in luminaires without front glass
- Unique Philips-patented EcoBoost single-ended burner: 40% higher efficiency than standard products
- Universal burning position
- Instant start

#### Environment

- Excellent environmental choice because of high energy efficiency and long reliable life

#### Application

- General lighting in shops, restaurants, hotels, galleries, exhibitions and museums. Ideal for use in small, decorative luminaires



## MASTERCapsule GY6.35 12V IR Coated

Bulb Shape	Lamp power (W)	Luminous Flux (Rated) (lm)	Rated Lifetime (h)	EAN-1
T11	30	750	4,000	8727900203547
T11	45	1,250	4,000	8727900203554

Commercial product name		Net Trade Price per Piece (€ net)	National Discount Group	EAN-1
Z MASTERCapsule 30W GY6.35 12V IR 1CT/5X10F	B 50	5,00	L2	8727900203547
Z MASTERCapsule 45W GY6.35 12V IR 1CT/5X10F	B 50	5,00	L2	8727900203554

Z = available until stock lasts

07



## Capsuleline



### Compact shape, crisp white light

Low-voltage halogen capsule. Ideal solution for small decorative luminaires. UV-block glass and low-pressure filling allow usage without cover glass. The compact Capsuleline delivers crisp white light over a long lifetime.

#### Benefits

- Bright, sparkling halogen light to create the right atmosphere
- Fully dimmable, from 0 to 100%, to meet different brightness requirements
- Low replacement costs due to long lifetime

#### Features

- Superior quality of light with excellent color rendering ( $R_a = 100$ )
- Mains-voltage lamp, no transformer needed
- Compact size, easy to fit in the luminaire
- Universal burning position
- Instant start

#### Application

- General lighting in shops, restaurants, hotels, galleries, exhibitions and museums. Ideal for use in small, decorative luminaires

mm	C max.	D max.	L nom.
1	33	10	22

mm	C max.	D max.	L nom.
2	33	10	22.0
3	33	10	22.2

mm	C max.	D max.	L nom.
4	33	10	22
5	33	9	22

mm	C max.	D max.	L nom.
6	33	9	22

mm	C max.	D max.	L nom.
7	44	12	30

## Capsuleline 12V Clear

Bulb Shape	Lamp power (W)		Luminous Flux (Rated) (lm)	Rated Lifetime (h)	mm	EAN-1
T9	5	G4	40	2,000	1, 2, 4	8711500654106
T9	5	G4	60	4,000	5	8711500409690
T9	10	G4	100	2,000	3	8711500412980
T9	10	G4	140	4,000	6	8711500409706
T9	20	G4	255	2,000	2	8711500412997
T9	20	G4	310	4,000	6	8711500402103
T11	20	GY6.35	300	4,000	7	8711500402196
T11	35	GY6.35	600	4,000	7	8711500402189
T11	50	GY6.35	880	4,000	7	8711500402172

Commercial product name		Net Trade Price per Piece (€ net)	National Discount Group	EAN-1
Z Capsuleline 5W G4 12V CL 2000h 1CT/10X10F	C 100	0,64	L4	8711500654106
Z Capsuleline 5W G4 12V CL 4000h 1CT/10X10F	B 100	1,89	L4	8711500409690
Z Capsuleline 10W G4 12V CL 2000h 1CT/10X10F	C 100	0,64	L4	8711500412980
Z Capsuleline 10W G4 12V CL 4000h 1CT/10X10F	C 100	1,89	L4	8711500409706
Z Capsuleline 20W G4 12V CL 2000h 1CT/10X10F	C 100	0,64	L4	8711500412997
Z Capsuleline 20W G4 12V CL 4000h 1CT/10X10F	C 100	1,89	L4	8711500402103
Z Capsuleline 20W GY6.35 12V CL 4000h 1CT/10X10F	C 100	1,89	L4	8711500402196
Z Capsuleline 35W GY6.35 12V CL 4000h 1CT/10X10F	C 100	1,89	L4	8711500402189
Z Capsuleline 50W GY6.35 12V CL 4000h 1CT/10X10F	C 100	1,89	L4	8711500402172

Z = available until stock lasts

## Halogen Classic A-shape



### The new classic light bulb

Philips Halogen Classic light bulbs offer the classical shapes you are used to. This new 'classic' gives high-quality light, is dimmable and starts immediately.

#### Benefits

- Identical look and feel to standard lamp, with bright, sparkling halogen light
- Fully dimmable, from 0 to 100%, to meet different brightness requirements
- Double the lifetime of a standard bulb and immediate light when switching on

#### Features

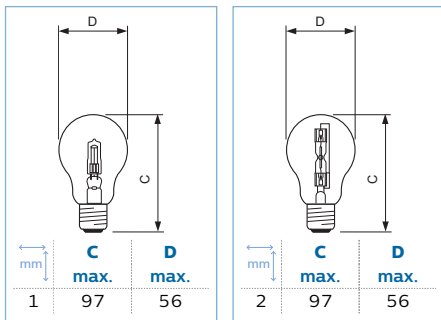
- Superior quality of light with excellent color rendering ( $R_a = 100$ )
- Mains-voltage lamp, no transformer needed
- Universal burning position
- Instant start

#### Environment

- Excellent environmental choice because of high energy efficiency and long reliable life

#### Application

- Accent and general lighting applications in homes, offices, shops, hotels and restaurants. Replacement for traditional bulb in classical luminaires



### Halogen Classic Bulb E27 230V Clear

Bulb Shape	Lamp power (W)	Luminous Flux (Rated) (lm)	Rated Lifetime (h)	mm	EAN-1
A55	28	370	2,000	1	8727900252774
A55	42	630	2,000	1	8727900251715
A55	53	850	2,000	1	8727900251722
A55	70	1,200	2,000	2	8727900252255
A55	105	1,980	2,000	2	8727900252262
A55	140	2,650	2,000	2	8727900252552

Commercial product name	Net Trade Price per Piece (€ net)	National Discount Group	EAN-1
Z Halogen Classic 28W E27 230V A55 1CT/15 SRP	D 15 1,37	L4	8727900252774
Z Halogen Classic 42W E27 230V A55 1CT/15 SRP	D 15 1,40	L4	8727900251715
Z Halogen Classic 53W E27 230V A55 1CT/15 SRP	D 15 1,40	L4	8727900251722
Z Halogen Classic 70W E27 230V A55 1CT/15 SRP	D 15 1,40	L4	8727900252255
Z Halogen Classic 105W E27 230V A55 1CT/15 SRP	D 15 1,37	L4	8727900252262
Z Halogen Classic 140W E27 230V A55 1CT/15 SRP	D 15 1,37	L4	8727900252552

Z = available until stock lasts



## Halogen Classic P45



### The new classic light bulb

Philips Halogen Classic light bulbs offer the classical shapes you are used to. This new 'classic' gives high-quality light, is dimmable and starts immediately.

#### Benefits

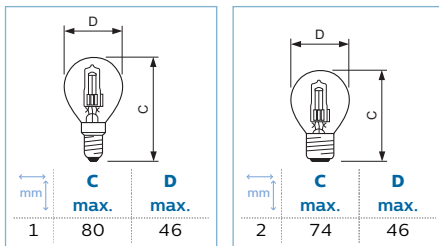
- Identical look and feel to standard lamp, with bright, sparkling halogen light
- Fully dimmable, from 0 to 100%, to meet different brightness requirements
- Double the lifetime of a standard bulb and immediate light when switching on

#### Features

- Superior quality of light with excellent color rendering ( $R_a = 100$ )
- Mains-voltage lamp, no transformer needed
- Universal burning position
- Instant start

#### Application

- Accent and general lighting applications in homes, offices, shops, hotels and restaurants. Replacement for traditional bulb in classical luminaires



## Halogen Classic Lustre 230V Clear

Bulb Shape	Lamp power (W)	E14 E27	Luminous Flux (Rated)	Rated Lifetime	mm	EAN-1
			(lm)	(h)		
P45	18	E14	204	2,000	1	8727900831443
P45	18	E27	204	2,000	2	8727900831382
P45	28	E14	370	2,000	1	8727900831467
P45	28	E27	370	2,000	2	8727900831405
P45	42	E14	630	2,000	1	8727900831481
P45	42	E27	630	2,000	2	8727900831429

Commercial product name	D	15	Net Trade Price per Piece	National Discount Group	EAN-1
			(€ net)		
Z Halogen Classic 18W E14 230V P45 1CT/15 SRP	D	15	1,50	L4	8727900831443
Z Halogen Classic 18W E27 230V P45 1CT/15 SRP	D	15	1,50	L4	8727900831382
Z Halogen Classic 28W E14 230V P45 1CT/15 SRP	D	15	1,50	L4	8727900831467
Z Halogen Classic 28W E27 230V P45 1CT/15 SRP	D	15	1,50	L4	8727900831405
Z Halogen Classic 42W E14 230V P45 1CT/15 SRP	D	15	1,50	L4	8727900831481
Z Halogen Classic 42W E27 230V P45 1CT/15 SRP	D	15	1,50	L4	8727900831429

Z = available until stock lasts

07



## Halogen Classic Candle B35



### The new classic light bulb

Philips Halogen Classic Candle light bulbs offer the classical shape you are used to. This new 'classic' gives high-quality light, is dimmable and starts immediately.

#### Benefits

- Identical look and feel to standard lamp, with bright, sparkling halogen light
- Fully dimmable, from 0 to 100%, to meet different brightness requirements
- Double the lifetime of a standard bulb and immediate light when switching on

#### Features

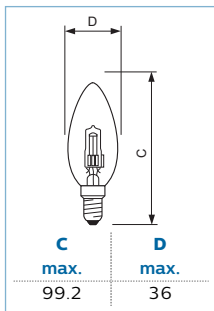
- Superior quality of light with excellent color rendering ( $R_a = 100$ )
- Mains-voltage lamp, no transformer needed
- Universal burning position
- Instant start

#### Environment

- Excellent environmental choice because of high energy efficiency and long reliable life

#### Application

- Accent and general lighting applications in homes, offices, shops, hotels and restaurants. Replacement for traditional bulb in classical luminaires



## Halogen Classic Candle E14 230V Clear

Bulb Shape	Lamp power (W)	Luminous Flux (Rated) (lm)	Rated Lifetime (h)	EAN-1
B35	18	204	2,000	8727900820546
B35	28	370	2,000	8727900252651
B35	42	630	2,000	8727900820584

Commercial product name		Net Trade Price per Piece (€ net)	National Discount Group	EAN-1
Z Halogen Classic 18W E14 230V B35 1CT/15 SRP	D 15	1,50	L4	8727900820546
Z Halogen Classic 28W E14 230V B35 1CT/15 SRP	D 15	1,50	L4	8727900252651
Z Halogen Classic 42W E14 230V B35 1CT/15 SRP	D 15	1,50	L4	8727900820584

Z = available until stock lasts





## Halogen Classic Twisted Candle B35



### The new classic light bulb

Philips Halogen Classic Twisted Candle light bulbs offer the decorative shape you are used to. This new 'classic' gives high-quality light, is dimmable and starts immediately.

#### Benefits

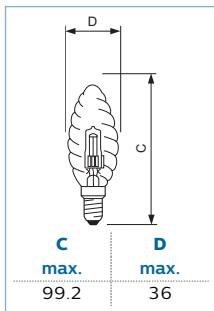
- Identical look and feel to standard lamp, with bright, sparkling halogen light
- Fully dimmable, from 0 to 100%, to meet different brightness requirements
- Double the lifetime of a standard bulb and immediate light when switching on

#### Features

- Superior quality of light with excellent color rendering ( $R_a = 100$ )
- Mains-voltage lamp, no transformer needed
- Universal burning position
- Instant start

#### Application

- Accent and general lighting applications in homes, offices, shops, hotels and restaurants. Replacement for traditional bulb in classical luminaires



## Halogen Classic Candle E14 230V Clear

Bulb Shape	Lamp power (W)	Luminous Flux (Rated) (lm)	Rated Lifetime (h)	EAN - 1
BW35	18	204	2,000	8727900820669
BW35	28	370	2,000	8727900820706
BW35	42	630	2,000	8727900820768

Commercial product name		Net Trade Price per Piece (€ net)	National Discount Group	EAN - 1
Z Halogen Classic 18W E14 230V BW35 1CT/15 SRP	D 15	1,50	L4	8727900820669
Z Halogen Classic 28W E14 230V BW35 1CT/15 SRP	D 15	1,50	L4	8727900820706
Z Halogen Classic 42W E14 230V BW35 1CT/15 SRP	D 15	1,50	L4	8727900820768

Z = available until stock lasts



## Halogen Classic BXS35



### The new classic light bulb

Philips Halogen Classic Swan Neck light bulbs offer the decorative shape you are used to. This new 'classic' gives high-quality light, is dimmable and starts immediately.

#### Benefits

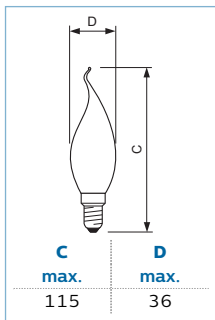
- Identical look and feel to standard lamp, with bright, sparkling halogen light
- Fully dimmable, from 0 to 100%, to meet different brightness requirements
- Double the lifetime of a standard bulb and immediate light when switching on

#### Features

- Superior quality of light with excellent color rendering ( $R_a = 100$ )
- Mains-voltage lamp, no transformer needed
- Universal burning position
- Instant start

#### Application

- Accent and general lighting applications in homes, offices, shops, hotels and restaurants. Replacement for traditional bulb in classical luminaires



## Halogen Classic Candle E14 230V Clear

Bulb Shape	Lamp power (W)	Luminous Flux (Rated) (lm)	Rated Lifetime (h)	EAN-1
BXS35	18	204	2,000	8718291204435
BXS35	28	370	2,000	8727900925067

Commercial product name		Net Trade Price per Piece (€ net)	National Discount Group	EAN-1
Z Halogen Classic 18W E14 230V BXS35 1CT/10 SRP	D 10	1,91	L4	8718291204435
Z Halogen Classic 28W E14 230V BXS35 1CT/10 SRP	D 10	1,47	L4	8727900925067

Z = available until stock lasts

07



## Halogen Classic G95



### The new classic light bulb

Philips Halogen Classic light bulbs offer the classical shapes you are used to. The new classic light bulb gives high quality light, is dimmable and starts immediately.

#### Benefits

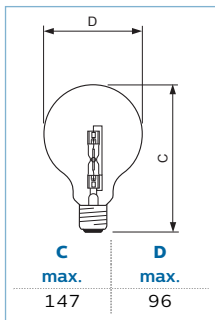
- Identical look and feel to standard lamp with bright, sparkling halogen light
- Fully dimmable, from 0 to 100%, to meet different requirement for brightness level
- Double the lifetime of a standard bulb and immediate light when switching on

#### Features

- Superior quality of light with excellent color rendering ( $R_a = 100$ )
- Mains voltage lamp, no transformer needed
- Universal burning position
- Instant start

#### Application

- Accent and general lighting applications in homes, offices, shops, hotels and restaurants
- Replacement lamp of traditional bulb for use in classical luminaires



### Halogen Classic Globe E27 230V Clear

Bulb Shape	Lamp power (W)	Luminous Flux (Rated) (lm)	Rated Lifetime (h)	EAN - 1
G95	42	630	2,000	8727900921007
Commercial product name	Net Trade Price per Piece (€ net)	National Discount Group	EAN - 1	
Z Halogen Classic 42W E27 230V G95 CL 1CT/6 SRP	4,43	L4	8727900921007	

Z = available until stock lasts



## Halogen Classic T25L



### The new classic light bulb

Philips Halogen Classic light bulbs offer the classical shapes you are used to. This new 'classic' gives high-quality light, is dimmable and starts immediately.

#### Benefits

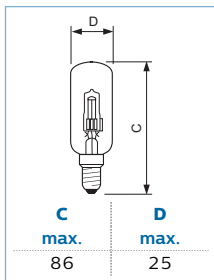
- Bright, sparkling halogen light to create the right atmosphere
- Fully dimmable, from 0 to 100%, to meet different brightness requirements
- Lower replacement cost due to longer burning hours

#### Features

- Superior quality of light with excellent color rendering ( $R_a = 100$ )
- Mains-voltage lamp, no transformer needed
- Universal burning position
- Instant start

#### Application

- Accent and general lighting applications in homes, offices, shops, hotels and restaurants. Ideal for use in small, sconce and ceiling-mounted luminaires



## Halogen Classic Tubular E14 230V Clear

Bulb Shape	Lamp power (W)	Luminous Flux (Rated) (lm)	Rated Lifetime (h)	EAN-1
T25L	18	204	2,000	8718291223030
T25L	28	370	2,000	8718291223481
T25L	28	370	2,000	8718291230793

Commercial product name		Net Trade Price per Piece (€ net)	National Discount Group	EAN-1
Z Halogen Classic 18W E14 230V T25L 1CT/20 SRP	D 20	2.90	L4	8718291223030
Z Halogen Classic 28W E14 230V T25L 1CT/20 SRP	D 20	3.10	L4	8718291230793
Z Halogen Classic CH 28W E14 230V T25L 1CT/20 SRP	D 20	2.92	L4	8718291223481

Z = available until stock lasts

07



## Halogen Classic T32



### The new classic light bulb

Philips Halogen Classic light bulbs offer the classical shapes you are used to. This new 'classic' gives high-quality light, is dimmable and starts immediately.

#### Benefits

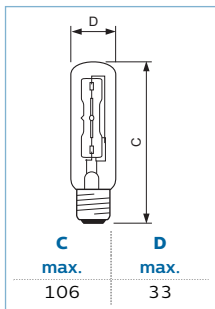
- Bright, sparkling halogen light to create the right atmosphere
- Fully dimmable, from 0 to 100%, to meet different brightness requirements
- Lower replacement cost due to longer burning hours

#### Features

- Superior quality of light with excellent color rendering ( $R_a = 100$ )
- Mains-voltage lamp, no transformer needed
- Universal burning position
- Instant start

#### Application

- Accent and general lighting applications in homes, offices, shops, hotels and restaurants. Ideal for use in small, sconce and ceiling-mounted luminaires



## Halogen Classic Tubular E27 230V Clear

Bulb Shape	Lamp power (W)	Luminous Flux (Rated) (lm)	Rated Lifetime (h)	EAN-1
T32	70	1,200	2,000	8727900893847
T32	105	1,980	2,000	8727900893861

Commercial product name		Net Trade Price per Piece (€ net)	National Discount Group	EAN-1
Z Halogen Classic 70W E27 230V T32 CL 1CT/10	D 10	4,20	L4	8727900893847
Z Halogen Classic 105W E27 230V T32 CL 1CT/10	D 10	4,20	L4	8727900893861

Z = available until stock lasts



## Halogen Clickline G9



### The new halogen mains-voltage capsule. Compact shape, crisp white light

Ideal solution for small decorative luminaires. UV-block glass and safety fuse allow usage without cover glass. The compact Clickline gives crisp white light over a long lifetime.

#### Benefits

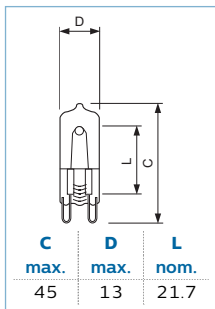
- Bright, sparkling halogen light to create the right atmosphere
- Fully dimmable, from 0 to 100%, to meet different brightness requirements
- Lower replacement cost due to longer burning hours

#### Features

- Superior quality of light with excellent color rendering ( $R_a = 100$ )
- Mains-voltage lamp, no transformer needed
- Compact size, easy to fit in the luminaire
- Universal burning position
- Instant start

#### Application

- General lighting in shops, restaurants, hotels, galleries, exhibitions and museums. Ideal for use in small, decorative luminaires



### Halogen Capsule G9 230V Clear

Bulb Shape	Lamp power (W)	Luminous Flux (Rated) (lm)	Rated Lifetime (h)	EAN-1
T13	18	204	2,000	8727900895773
T13	28	370	2,000	8727900252873
T13	28	370	2,000	8727900863987
T13	42	630	2,000	8727900252910
T13	42	630	2,000	8727900864014
T13	53	850	2,000	8727900895834

Commercial product name			Net Trade Price per Piece (€ net)	National Discount Group	EAN-1
Halogen MV Caps 28W G9 230V CL 1BC/10	D	10	2,40	L4	8727900252873
Halogen MV Caps 42W G9 230V CL 1BC/10	D	10	4,58	L4	8727900252910
Halogen MV Click 18W G9 230V CL 1CT	D	100	2,62	L4	8727900895773
Halogen MV Click 28W G9 230V CL 1CT	D	100	2,62	L4	8727900863987
Halogen MV Click 42W G9 230V CL 1CT	D	100	2,62	L4	8727900864014
Z Halogen MV Click 53W G9 230V CL 1CT	D	100	2,62	L4	8727900895834

Z = available until stock lasts





## HalogenA IDE



### Product Description

Mains-voltage high-wattage double-envelope giving a white halogen light

### Benefits

- Bright, sparkling halogen light
- Fully dimmable, from 0 to 100%, to meet different brightness requirements
- Low replacement costs due to long lifetime

### Features

- Quartz burner with a linear tungsten filament in a single-ended thermal-shock-resistant clear glass tubular envelope
- High luminous efficacy
- Excellent color rendering

### Application

- Typical application: outdoor floodlighting such as sport grounds, car parks, building sites, harbours and airport aprons
- Also used in Indoor applications: public halls, factories, sport halls etc.

	C max.	D max.
1	216	38.5
2	256	38.5

## HalogenA IDE E40 230V Clear

Bulb Shape	Lamp power (W)	Luminous Flux (Rated) (lm)	Rated Lifetime (h)	mm	EAN-1
T38	500	10,250	2,000	1	8711500491268
T38	1,000	24,000	2,000	2	8711500491282

Commercial product name		Net Trade Price per Piece (€ net)	National Discount Group	EAN-1
HalogenA IDE 500W E40 230V CL 1CT/6	D 6	36,82	L4	8711500491268
HalogenA IDE 1000W E40 230V CL 1CT/6	C 6	36,47	L4	8711500491282

07



## Plusline ES Compact

**The new halogen linear – compact shape, crisp white light**

Mains-voltage halogen linear lamp with superior quality and reliability. Offers very long lifetime and crisp halogen light. Ideal solution for decorative luminaires.

**Benefits**

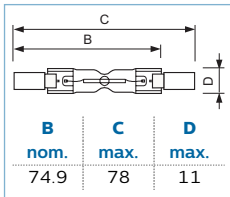
- Bright, sparkling halogen light to create the right atmosphere
- Fully dimmable, from 0 to 100%, to meet different brightness requirements
- Lower replacement cost due to longer burning hours

**Features**

- Superior quality of light with excellent color rendering ( $R_a = 100$ )
- Same size for direct replacement of existing halogen lamps
- Lifetime: 2,000 hours
- Universal burning position

**Application**

- General lighting in shops, restaurants, hotels, galleries, exhibitions and museums. Decorative outdoor: billboards, exhibitions and parking areas

Plusline ES Compact **R7S** 230V Clear

Bulb Shape	Lamp power (W)	Luminous Flux (Rated) (lm)	Rated Lifetime (h)	EAN-1
T11	48	750	2,000	8727900852318
T11	80	1,415	2,000	8727900852288
T11	120	2,220	2,000	8727900852233

Commercial product name			Net Trade Price per Piece (€ net)	National Discount Group	EAN-1
Plusline ES Compact 78mm 2y 48W R7s 230V 1BB	D	100	3,34	L4	8727900852318
Plusline ES Compact 78mm 2y 80W R7s 230V 1BB	D	100	3,34	L4	8727900852288
Plusline ES Compact 78mm 2y 120W R7s 230V 1BB	D	100	3,34	L4	8727900852233

07



## Plusline ES Small



### The new halogen linear – crisp white light

Mains-voltage halogen linear lamp with superior quality and reliability. Offers very long lifetime and crisp halogen light. Ideal solution for decorative luminaires and for security or task lighting floodlights.

#### Benefits

- Bright, sparkling halogen light to create the right atmosphere
- Fully dimmable, from 0 to 100%, to meet different brightness requirements
- Lower replacement cost due to longer burning hours

#### Features

- Superior quality of light with excellent color rendering ( $R_a = 100$ )
- Same size for direct replacement of existing halogen lamps
- Lifetime: 2,000 hours
- Universal burning position

#### Application

- General lighting in shops, restaurants, hotels, galleries, exhibitions and museums. Decorative outdoor: billboards, exhibitions and parking areas

B	C	D
nom.	max.	max.
114.2	118	11

### Plusline ES Small R7S 230V Clear

Bulb Shape	Lamp power (W)	Luminous Flux (Rated) (lm)	Rated Lifetime (h)	EAN - 1
T11	120	2,220	2,000	8727900852165
T11	160	3,100	2,000	8727900852196
T11	240	4,900	2,000	8727900853803
T11	400	8,600	2,000	8727900853896

Commercial product name		Net Trade Price per Piece (€ net)	National Discount Group	EAN - 1
Plusline ES Small 118mm 2y 120W R7s 230V 1BB	D 100	3,34	L4	8727900852165
Plusline ES Small 118mm 2y 160W R7s 230V 1BB	D 100	3,30	L4	8727900852196
Plusline ES Small 118mm 2y 240W R7s 230V 1BB	D 100	3,30	L4	8727900853803
Plusline ES Small 118mm 2y 400W R7s 230V 1BB	D 100	3,30	L4	8727900853896

07



## Plusline Large (double ended)



### Crisp white light

PlusLine Large flood delivers maximum light output to light up large areas like outdoor, buildings and shops.

#### Benefits

- Bright, sparkling halogen light to create the right atmosphere
- Fully dimmable, from 0 to 100%, to meet different brightness requirements
- Low replacement costs due to long lifetime

#### Features

- Superior quality of light with excellent color rendering ( $R_a = 100$ )
- Lifetime: 2,000 hours

#### Application

- General lighting in shops, restaurants, hotels, galleries, exhibitions and museums. Decorative outdoor: billboards, exhibitions and parking areas

	<b>B</b>	<b>C</b>	<b>D</b>
	<b>nom.</b>	<b>max.</b>	<b>max.</b>
1	185.7	189.1	11
2	250.7	254.1	11

## Plusline Large R7S 230V Clear

Bulb Shape	Lamp power (W)	Luminous Flux (Rated) (lm)	Rated Lifetime (h)	mm	EAN-1
T11	1,000	21,500	2,000	1	8711500494344
T11	1,500	33,000	2,000	2	8711500494351

Commercial product name	Energy label	Icon	Net Trade Price per Piece (€ net)	National Discount Group	EAN-1
Plusline Large 1000W R7s 230V 1CT/10	C	10	8,34	L4	8711500494344
Plusline Large 1500W R7s 230V 1CT/10	C	10	8,34	L4	8711500494351

07





InfraRed ↗



BlackLightBlue (BLB) ↗





## InfraRed Industrial Heat Incandescent

**Instant heat exactly where and when needed**

The Philips infrared incandescent reflector lamps are designed to work in the toughest environment such as farm, bathroom or kitchen and their nearest surrounding. They have a reinforced construction thanks to hard glass use. Their compact form and universal cap base allow them to be used with any suitable equipment. A very good method of generating warmth is by using heat lamps. The Philips infrared lamps provide direct, draught-free warmth to the animals, people, but also food. These benefits have made farmers, consumers and cooks around the world choose Philips infrared lamps, because they are the sturdiest, most efficient lamps available for these applications.

**Benefits**

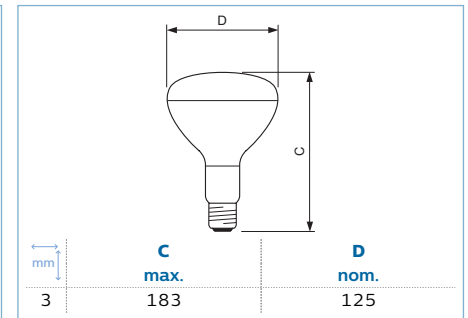
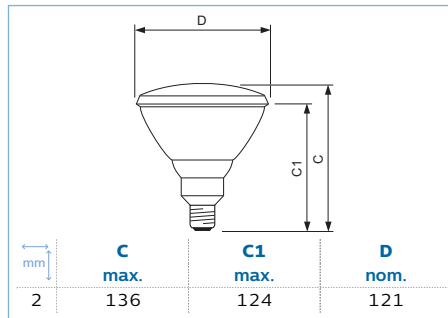
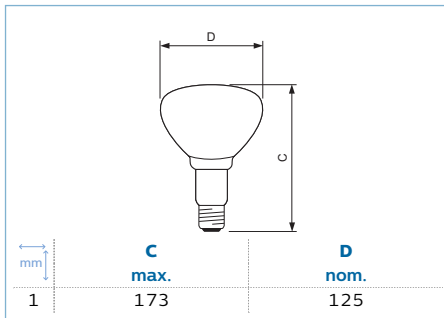
- 30% extra energy saving with PAR thanks to its unique reflector system
- Simple and safe heat source with no risk of broken glass
- 90% of energy is transmitted as infrared heat.

**Features**



- Robust and sturdy hard glass construction of entire range of infrared reflectors.
- Reflector shape allows concentrated heat to be applied to where it is needed.
- The design of PAR38 incorporates a completely sealed reflector and therefore high efficiency.
- More hassle free and handy replacement period thanks to long durability of infrared lamps
- Red-coloured lamps to reduce visual light emission and glare.


**Application**

- Agricultural: breeding and rearing of pigs, poultry, calves, foals, dogs etc. as well as in veterinary clinics, zoos, pet shops.
- General radiant heating, e. g. hot food displays, cooker hoods, bathrooms, space heating etc.
- Industrial heating, e. g. drying, baking, carbonising, melting etc.



## InfraRed E27

Bulb Shape	Lamp power (W)	Voltage (V)	Color Designation			EAN-1
BR125	150	230-250		H45	1	8711500575203
BR125	150	230-250		UNIVERSAL	1	8711500575227
BR125	250	230-250		H45	1	8711500575210
BR125	250	230-250		UNIVERSAL	1	8711500575234
PAR38	100	230	C	UNIVERSAL	2	8711500115782
PAR38	100	230	R	H45	2	8711500600523
PAR38	175	230	C	UNIVERSAL	2	8711500115799
PAR38	175	230	R	H45	2	8711500600530
R125	375	230-250		UNIVERSAL	3	8711500126597

Commercial product name		Net Trade Price per Piece (€ net)	National Discount Group	EAN-1
BR125 IR 150W E27 230-250V CL 1CT/10	10	6,89	L4	8711500575227
BR125 IR 150W E27 230-250V Red 1CT/10	10	7,30	L4	8711500575203
BR125 IR 250W E27 230-250V CL 1CT/10	10	8,75	L4	8711500575234
BR125 IR 250W E27 230-250V Red 1CT/10	10	8,75	L4	8711500575210
PAR38 IR 100W E27 230V CL 1CT/12	12	10,00	L4	8711500115782
PAR38 IR 100W E27 230V Red 1CT/12	12	10,00	L4	8711500600523
PAR38 IR 175W E27 230V CL 1CT/12	12	10,84	L4	8711500115799
PAR38 IR 175W E27 230V Red 1CT/12	12	10,84	L4	8711500600530
R125 IR 375W E27 230-250V CL 1CT/10	10	13,55	L4	8711500126597



## InfraRed Healthcare Heat Incandescent



### A comfortable heat source for your muscles

Philips infrared lamps for healthcare and bodycare applications are designed for treating deep-seated muscular ailments and sports injuries. These incandescent reflector lamps are an excellent solution to provide localized heat treatment to relieve muscular pain. They can also be used to treat rheumatic ailments. This form of heat therapy has also been shown to speed the healing of different kinds of injuries such as sports injuries and non-infected wounds, in many cases providing rapid and effective pain relief. The benefits of this form of heat therapy are based on locally enhanced blood circulation in the skin caused by vasodilatory response. This results in an increased transport rate of metabolites and other essential biochemical compounds. Benefits are also gained by deeper penetration of heat, which provides a gentle, pleasant warming effect.

#### Benefits

- Optimal penetration into skin and muscles for ultimate relief of muscular pain

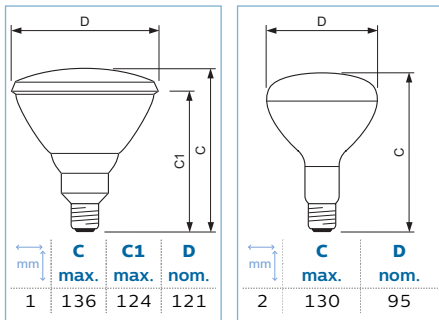
- 90% of energy transmitted as infrared heat
- Instant, accurately controllable source of radiant heat

#### Features

- Reflector shape allows concentrated heat to be applied where it is needed.
- PAR38 has a 100% aluminized internal reflector, which means that 100% of the heat leaves via the front.
- PAR38 has a small, round filament, which also contributes to more concentrated heat in the beam.
- Good balance between lifetime and heat output
- Red-colored lamps to reduce visual light emission and glare

#### Application

- Providing relief from muscular pain and ailments such as rheumatism, lumbago, neuralgia and colds, etc.
- Promoting recovery from injury
- Providing comfort and cosmetic care



## InfraRed E27

Bulb Shape	Lamp power (W)	Voltage (V)	UNIVERSAL	mm	EAN - 1
PAR38	150	230	UNIVERSAL	1	8711500128874
R95	100	230	UNIVERSAL	2	8711500145598

Commercial product name	Net Trade Price per Piece (€ net)	National Discount Group	EAN - 1
PAR38 IR 150W E27 230V Red 1CT/12	12 14,59	L4	8711500128874
R95 IR 100W E27 230V Red 1CT/25	25 5,42	L4	8711500145598

## TL-D Blacklight Blue

**For reliable unveiling of secrets**

TL-D/8 Blacklight Blue lamps are low-pressure mercury-vapor fluorescent lamps. They have an inner envelope coated with a fluorescent powder that emits long-wave UV radiation to excite luminescence.

**Benefits**

- Quick detection of UV-reflecting materials
- Creates special lighting atmospheres and effects

**Features**

- Straight outer envelope

**Application**

- Detection and analysis in the textile and chemical industries

- Banking and forensic science
- Special effects in night clubs, discos and theatres, and sign lighting

**System**

- TL-D/8 lamps operate on AC mains supply via a ballast and a starter

**Warnings and Safety**

- A lamp breaking is extremely unlikely to have any impact on your health. If a lamp breaks, ventilate the room for 30 minutes and remove the parts, preferably with gloves. Put them in a sealed plastic bag and take it to your local waste facilities for recycling. Do not use a vacuum cleaner.

	A		B		C	D
	max.	min.	max.	max.	max.	max.
1	437.4	442.1	444.5	451.6	28	28
2	589.8	594.5	596.9	604.0	28	28
3	1199.4	1204.1	1206.5	1213.6	28	28

## TL-D Blacklight Blue G13

Lamp power/Light source color	UV-B/UV-A (IEC)	UV-A Radiation 100Hr (IEC)	Life to 50% Failures	mm	EAN-1
	(%)	(W)	(h)		
15.9W/108	0.2	3.0	8,000	1	8711500951090
18W/108	0.2	3.9	13,000	2	8711500951113
36W/108	0.2	9.5	15,000	3	8711500951151

Commercial product name		National Lamp Fee <sup>1</sup>	Net Trade Price per Piece (€ net)	National Discount Group	EAN-1
TL-D 15W BLB 1SL/25	25	fee relevant	13.60	L2	8711500951090
TL-D 18W BLB 1SL/25	25	fee relevant	16.30	L2	8711500951113
TL-D 36W BLB 1SL/25	25	fee relevant	19.00	L2	8711500951151

<sup>1</sup> Product fee relevant according local regulation



## TL Mini Blacklight Blue



### The light source for money checking!

This TL Miniature lamp (tube diameter 16 mm) is made of blacklight blue (dark blue) glass, which transmits UV- A radiation, but gives only a minimum of visible light. It is a perfect solution for quick detection of UV-reflecting materials. It is used especially for testing, inspection and analysis in various branches of industry, e. g. criminology, philately and medicine. Furthermore, it is applied to create special effects in the entertainment industry, e. g. in nightclubs and theaters.

#### Benefits

- Quick detection of UV-reflecting materials
- Creates special lighting atmospheres and effects

#### Features

- Straight outer envelope

#### Application

- Detection and analysis in the textile and chemical industries
- Banking and forensic science
- Special effects in night clubs, discos and theatres, and sign lighting


#### Warnings and Safety

- A lamp breaking is extremely unlikely to have any impact on your health. If a lamp breaks, ventilate the room for 30 minutes and remove the parts, preferably with gloves. Put them in a sealed plastic bag and take it to your local waste facilities for recycling. Do not use a vacuum cleaner.

	A		B		C	D
	max.	min.	max.	max.	max.	max.
1	135.9	140.6	143.0	150.1	16	16
2	212.1	216.8	219.2	226.3	16	16
3	288.3	293.0	295.4	302.5	16	16

## TL Blacklight Blue G5

Lamp power/Light source color	UV-B/UV-A (IEC)	Life to 50% Failures	mm	EAN-1
	(%)	(h)		
4.5W/108	0.25	8,000	1	8711500951014
6W/108	0.25	8,000	2	8711500950987
7.1W/108	0.25	10,000	3	8711500951045

Commercial product name		National Lamp Fee <sup>1</sup>	Net Trade Price per Piece (€ net)	National Discount Group	EAN-1
TL 4W BLB 1FM/10X25CC	250	fee relevant	9,50	L2	8711500951014
TL 6W BLB 1FM/10X25CC	250	fee relevant	9,50	L2	8711500950987
TL 8W BLB 1FM/10X25CC	250	fee relevant	11,80	L2	8711500951045

<sup>1</sup> Product fee relevant according local regulation



## PL-S Blacklight Blue



### For reliable unveiling of secrets!

PL-S Blacklight Blue is a special low-wattage compact fluorescent lamp emitting long wave UV radiation for detection and analysis purposes in archaeology, money checking, forensic science, food industry, medicine, mineralogy, philately as well for special effects in night clubs, discos, theatres and sign lighting. The 2-pin version is designed for operation on electromagnetic gear, the 4-pin version is designed for operation on electronic gear. Both versions are provided with a plug-in/pull-out lamp base.

#### Benefits

- Quick detection of UV reflecting materials
- Creates special lighting atmospheres and effects
- 4-pin version: flicker-free start, and dimming possible down to 10%

#### Features

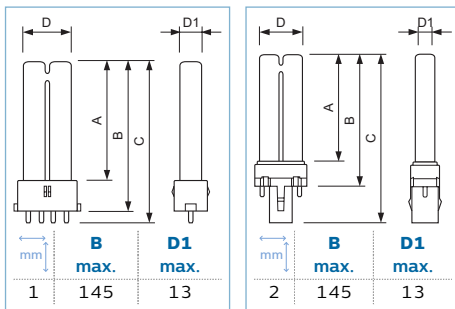
- Long wave UV fluorescent phosphor technology
- 2-pin version: 2-pin base with a housing incorporating the special instant starter and capacitor
- 4-pin version: 4-pin base

#### Application

- Detection and analysis in the textile and chemical industries
- Banking and forensic science
- Special effects in night clubs, discos and theatres, and sign lighting

#### Warnings and Safety

- A lamp breaking is extremely unlikely to have any impact on your health. If a lamp breaks, ventilate the room for 30 minutes and remove the parts, preferably with gloves. Put them in a sealed plastic bag and take it to your local waste facilities for recycling. Do not use a vacuum cleaner.



Type/Cap-Base Information	Lamp power/Light source color	UV-B/UV-A (IEC)	Useful Life	mm	EAN-1
		(%)	(h)		
PL-S Blacklight Blue /4 Pins	8.6W/108	2G7	8,000	1	8711500950932
PL-S Blacklight Blue /2 Pins	8.6W/108	G23	3,000	2	8711500950901

Commercial product name	National Lamp Fee <sup>1</sup>	Net Trade Price per Piece	National Discount Group	EAN-1
		(€ net)		
PL-S 9W BLB/2P 1CT/6X10CC	60	19,00	L2	8711500950901
PL-S 9W BLB/4P 1CT/6X10CC	60	19,00	L2	8711500950932

<sup>1</sup> Product fee relevant according local regulation





Tubular (T-shape)



GLS Specialties ↕



Domestic Appliances ↕



Reflector  
(NR/R/PAR/E/A/P/PC-  
shape)





## Deco Tubular



## Product Description

Tubular lamps with single- and coiled-coil filaments and clear, inside frosted or internally coated white bulbs with B- or E-base

## Benefits

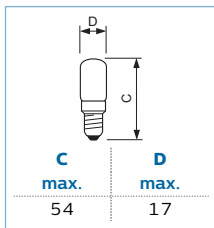
- Give brilliant and decorative lighting effects
- Ideal for creating a comfortable and relaxing ambience

## Features

- Internal coating cannot chip, fade, become scratched or weathered

## Application

- General lighting: switchboards, cupboards, piano and painting lighting
- Clear lamps are suitable for use in industrial and professional lighting applications, such as sign boards, elevator sign systems and fair and festive lighting
- Lamps with inside-frosted bulbs are ideal for use in a wide range of domestic and industrial applications



## Deco E14 Clear

Bulb Shape	Lamp power (W)	Voltage (V)	Luminous Flux (Rated) (lm)	Nominal Lifetime (h)	EAN-1
T17	7	230-240	21	1,000	8711500250087
T17	10	240-250	37	1,000	8711500038210

Commercial product name		Net Trade Price per Piece (€ net)	National Discount Group	EAN-1
Deco 7W E14 230-240V T17 CL 1CT/10X10F	E 100	1,59	L4	8711500250087
Deco 10W E14 240-250V T17 CL 1CT/10X10F	E 100	1,59	L4	8711500038210



## Standard Extra Low Voltage A60



### Product Description

Clear lamp (A-bulb) for operation on voltages of 12, 24, 42 and 50 V

### Benefits

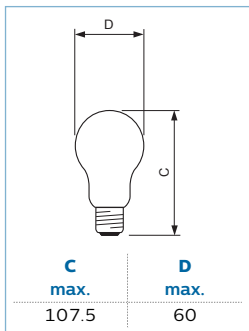
- Provide the perfect light for dramatic accents and display lighting as well as general lighting in a variety of applications
- Gas-filled lamp has a clear glass are ideally suited for remote, isolated areas where energy has to be supplied by private generating plants, batteries or other low-voltage sources
- Used when brilliance is an advantage

### Features

- Types till 42 V are safer in combination with a mains power supply transformer

### Application

- Rural and isolated areas where mains power supplies are not available
- Emergency lighting installations



## Standard ELV E27 Clear 24V

Bulb Shape	Lamp power (W)	Nominal Lifetime (h)	EAN-1
A60	60	1,000	8711500090188

Commercial product name	 	Net Trade Price per Piece (€ net)	National Discount Group	EAN-1
Standard ELV 60W E27/BRC 24V A60 CL 1CT/20	D 20	1.66	L4	8711500090188



## Party Lustre P45



### Product Description

Colored incandescent lamp with P45 shape and superior ESC coating

#### Benefits

- Environment-friendly due to ESC coating and cadmium-free lamp
- Energy savings thanks to much higher color brilliance and lumen output than conventional colored lamps with higher wattages
- Weather-resistant bulbs are perfectly suitable for outdoor use

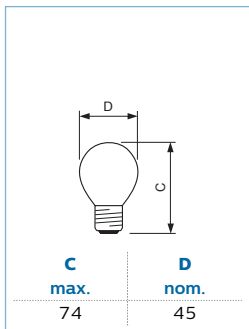
#### Features

- Choice of attractive colours

- Superior quality thanks to the Electro Static Coated (ESC) internal coating (instead of the conventional wet-flushed inside paint process)

#### Application

- All kinds of indoor and outdoor decorative lighting and special effects
- Outdoor: streets, facades, shopping centres, amusement parks, garden parties, carnivals, restaurants, bars, beaches, Christmas and other decorations
- Indoor: parties, special celebrations and decorative effects
- Multi-color versions and printing of special graphics available on project basis



## Party E27 220-240V

Bulb Shape	Lamp power (W)	Bulb Finish	Nominal Lifetime (h)	EAN-1
P45	15	Blue	1,000	8711500177476
P45	15	Green	1,000	8711500326904
P45	15	Orange	1,000	8711500326928
P45	15	Red	1,000	8711500177438
P45	15	Yellow	1,000	8711500177452

Commercial product name			Net Trade Price per Piece (€ net)	National Discount Group	EAN-1
Party 15W E27 220-240V P45 BL 1CT/4X5F	E	20	0,80	L4	8711500177476
Party 15W E27 220-240V P45 GR 1CT/4X5F	E	20	0,80	L4	8711500326904
Party 15W E27 220-240V P45 OR 1CT/4X5F	E	20	0,80	L4	8711500326928
Party 15W E27 220-240V P45 RE 1CT/4X5F	E	20	0,80	L4	8711500177438
Party 15W E27 220-240V P45 YE 1CT/4X5F	E	20	0,80	L4	8711500177452



## Appliance Oven Tubular



### Product Description

Tubular vacuum lamps with clear glass (T-bulb)

#### Benefits

- Reliable operation when used in special lampholders at high oven temperatures (up to 300 °C)

#### Features

- Coiled - coil filament
- Manufactured with heat-resistant solder, getter and lamp-base cement

#### Application

- Electrical and standard ovens, rotisseries and similar places subject to high operating temperatures
- Available for specific oven luminaires fitted in different positions such as downlighter, side-light and backlight

	<b>C</b> max.	<b>D</b> max.
1	49	22
2	57	25

## Appliance E14 Clear 230-240V

Bulb Shape	Lamp power (W)	Luminous Flux (Rated) (lm)	Nominal Lifetime (h)	mm	EAN-1
T22	15	90	1,000	1	8727900947038
T22	15	90	1,000	1	8711500036599
T25	25	172	1,000	2	8727900947120
T25	25	172	1,000	2	8711500038715

Commercial product name	E	100	Net Trade Price per Piece (€ net)	National Discount Group	EAN-1
Appliance 15W E14 230-240V T22 CL OV 1CT	E	100	1,70	L4	8727900947038
Appliance 15W E14 230-240V T22 CL OV 1CT	E	100	1,59	L4	8711500036599
Appliance 25W E14 230-240V T25 CL OV 1CT	E	100	1,50	L4	8711500038715
Appliance 25W E14 230-240V T25 CL OV 1CT	E	100	1,59	L4	8727900947120



## Appliance Oven P45



### Product Description

Lustre vacuum lamps with clear glass (P-bulb)

#### Benefits

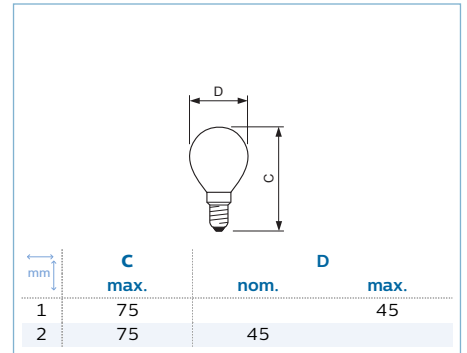
- Reliable operation when used in special lampholders at high oven temperatures (up to 300 °C)

#### Features

- Coiled-coil filament
- Manufactured with heat-resistant solder, getter and lamp-base cement

#### Application

- Electrical and standard ovens, rotisseries and similar places subject to high operating temperatures
- Available for specific oven luminaires fitted in different positions such as downlighter, side-light and backlight



## Appliance E14 Clear

Bulb Shape	Lamp power (W)	Voltage (V)	Luminous Flux (Rated) (lm)	Nominal Lifetime (h)	mm	EAN-1
P45	40	230	430	1,000	1	8711500029331
P45	40	240	420	1,000	2	8711500157546

Commercial product name	Energy Class	Net Trade Price per Piece (€ net)	National Discount Group	EAN-1
Appliance 40W E14 230V P45 CL OV 1CT/4X5F	E 20	1,59	L4	8711500029331
Appliance 40W E14 240V P45 CL OV 1BL/10	E 10	1,59	L4	8711500157546



## Appliance Refrigerator Tubular



### Product Description

Tubular lamp with clear glass bulb

#### Benefits

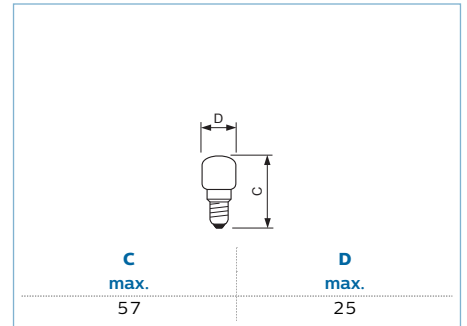
- Long useful life in refrigerators and freezers

#### Features

- Reinforced filament
- T-CLICK design with integrated lampholder reduces integral costs of refrigerator lighting

#### Application

- Refrigerators and freezers



### Appliance E14 Clear 230-240V

Bulb Shape	Lamp power (W)	Luminous Flux (Rated) (lm)	Nominal Lifetime (h)	EAN-1
T25	15	110	1,000	8727900947151
T25	15	110	1,000	8711500038517

Commercial product name	 	Net Trade Price per Piece (€ net)	National Discount Group	EAN-1
Appliance 15W E14 230-240V T25 CL RF 1CT	E 100	1,00	L4	8711500038517
Appliance 15W E14 230-240V T25 CL RF 1CT	E 100	1,00	L4	8727900947151



## Appliance Sewing Machine Tubular



### Product Description

Tubular incandescent vacuum lamp

#### Benefits

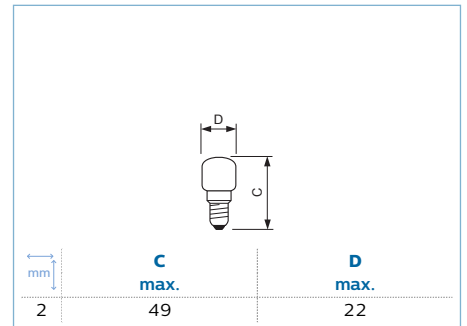
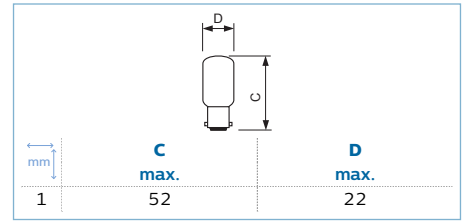
- Long useful life in sewing machines

#### Features

- Reinforced single / double coil filament
- Available in different lengths for use in various types of sewing machines

#### Application

- Sewing machines



## Appliance Clear

Bulb Shape	Lamp power (W)		Voltage (V)	Luminous Flux (Rated) (lm)	Nominal Lifetime (h)	mm	EAN - 1
T22X51	20	B15	230	120	1,000	1	8711500250230
T22	20	E14	230-240	120	1,000	2	8711500250971

Commercial product name		Net Trade Price per Piece (€ net)	National Discount Group	EAN - 1
Appliance 20W B15d 230V T22X51 - CL SM - 1CT	E 100	1,59	L4	8711500250230
Appliance 20W E14 230-240V T22 CL SM 1CT	E 100	1,59	L4	8711500250971





## PAR38 Colours



### Product Description

Coloured pressed-glass 121 mm diameter reflector lamp

#### Benefits

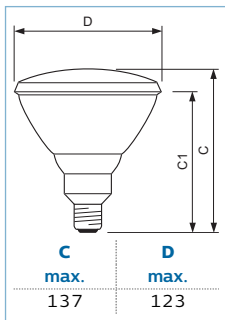
- Gives striking decorative effects, both indoors and outdoors
- 20% lower power consumption compared with conventional coloured PAR lamps

#### Features

- Weatherproof coloured coating on the refractor face in a choice of colours
- Flood beam width

#### Application

- Parks, public and private gardens
- Festive illumination
- Restaurants, bars, dance halls, discotheques
- Show - window displays, fountains and 'Son et Lumi' spectacles
- Can be installed outdoors without any protection, provided they are used in a watertight lampholder
- For outdoor use, a heat-resistant rubber ring must be fitted between the lamp and the lampholder



## PAR38 Colours E27 Green 230V

Bulb Shape	Lamp power (W)	Luminous Flux (Rated) (lm)	Nominal Lifetime (h)	EAN - 1
PAR38	80	225	2,000	8711500380531
Commercial product name	Net Trade Price per Piece (€ net)	National Discount Group	EAN - 1	
PAR38 Colours 80W E27 230V GR 1CT/12	7,70	L4	8711500380531	

09





HID Electronic Indoor ↗


				
AspiraVision Compact for CDM 251	PrimaVision Compact for CDM 252	PrimaVision Mini for CDM 253	PrimaVision Twin for CDM 254	PrimaVision Power for CDM 255

HID Electronic Outdoor ↗

				
PrimaVision for SDW-TG 256	EXC for SOX 257	PrimaVision for CDM Elite MW 258	HID-PrimaVision CDM 259	PrimaVision BasePerform 260

Controllers

HID Electromagnetic ↗

				
Gear for SDW-T lamps 261	HID-Basic BSN/BMH MK4 semi-parallel for SON/CDO/CDM/MH/HPI 262	HID-Basic BSN/BMH semi-parallel for SON/CDO/CDM/MH/HPI 263	HID-Basic BSN/BMH series multi-wattage for SON/CDO/CDM/MH/HPI 264	HID-HeavyDuty BSN semi-parallel for SON/CDO/MH/HPI 265

				
HID-Basic BHL MK4 for HPL/HPI 266	HID-Basic BHL for HPL/HPI 267	HID-HeavyDuty BHL for HPL/HPI 268	HID-HighPower for SON/MH/HPL/HPI 269	HID-Constant wattage BSX for SOX 270

Igniters ↗

Fluorescent Dimming gear ↗

				
HID igniters for series systems 271	HID igniters for MK4 semi-parallel systems 272	HF-Regulator Intelligent Touch DALI for PL-T/C and TL5C 273	HF-Regulator Intelligent Touch DALI for TL5/TL-D/PL-L lamps 274	HF-Regulator II for TL5 lamps 275

Fluorescent Fixed Output gear ↗

				
HF-Regulator II for TL-D lamps 276	HF-Regulator II for PL-L lamps 277	HF-Regulator II for PL-T/C 278	HF-Performer Intelligent for TL5 HE/HO lamps 279	HF-Performer III for TL5 lamps 280



Halogen electronic transformers ↕



## AspiraVision Compact for CDM



### AspiraVision Compact (35, 50 & 70 W) for CDM – The smart electronic gear

AspiraVision is the mark of excellence in HID electronic gear technology – high-end, compact, lightweight and easy to use, with added features for optimal performance of 35, 50 and 70 W CDM lamps. The recently added switching function provides maximum flexibility for users by integrating three different wattage choices into a single driver.

#### Benefits

- SOFT START allows installation with fewer circuit breakers; Loop Through allows faster, cost-efficient installation
- Longer lifetime

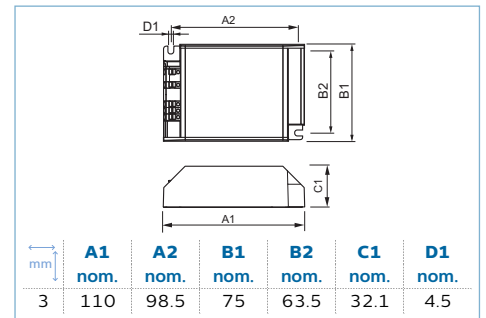
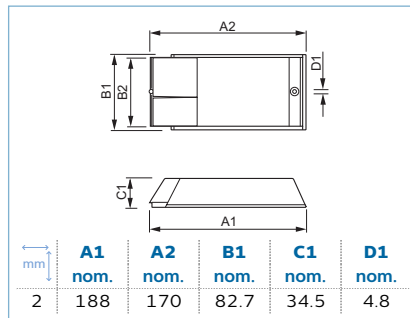
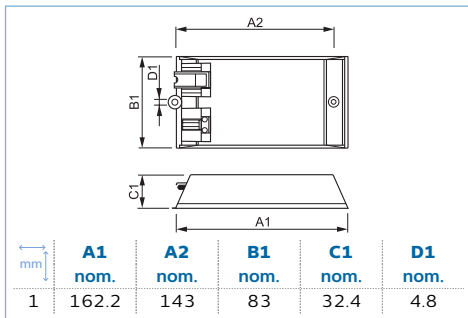
• Driver can be set to 35, 50 or 70 W with the integrated switch, which means there is no need to replace the driver if the installation requires lower or higher-wattage lamps in the future

#### Features

- SOFT START
- Loop Through (in independent version)
- Improved thermal performance
- Low electromagnetic interference
- Voltage drop detection

#### Application

- Accent and decorative lighting for shops, public spaces, lobbies and offices
- Suitable for indoor use only



Type	Input Voltage (V)	Input Frequency (Hz)	Number of Products on MCB (16A Type B)	Life to 90% Survivors (h)	mm	EAN-1
HID-AV C 35 W /C CDM	220 to 240	50-60		40,000	1	8711500881670
HID-AV C 35 W /I CDM	220 to 240	50-60		40,000	2	8711500881663
HID-AV C 35-70 W /S CDM	220 to 240	50-60	58	40,000	3	8718291233107
HID-AV C 70 W /I CDM	220 to 240	50-60	32	40,000	2	8711500881649

Commercial product name	Net Trade Price per Piece (€ net)	National Discount Group	EAN-1
HID-AV C 35 /C CDM 220-240V 50/60Hz	12 35,70	L3	8711500881670
HID-AV C 35 /I CDM 220-240V 50/60Hz	12 33,40	L3	8711500881663
HID-AV C 35-70 /S CDM 220-240V 50/60Hz	12 33,40	L3	8718291233107
HID-AV C 70 /I CDM 220-240V 50/60Hz	12 33,40	L3	8711500881649

## PrimaVision Compact for CDM


**High quality and robust performance**

High-quality, compact and lightweight HID electronic gear for optimal and reliable performance of 20, 35, 50 and 70 W CDM lamps

**Benefits**

- Optimal lamp performance thanks to minimal lamp power tolerance
- CDM lamp life increased by up to 30%
- Eliminates all visible lamp flicker

**Features**

- Minimal lamp power spread
- Low gear energy losses
- Lamp end-of-life detection
- High Tambient and Tcase temperatures
- Long lifetime of 40,000 hours

**Application**

- Accent and decorative lighting for shops, public spaces, lobbies and offices
- Suitable for indoor use only

mm	A1 nom.	A2 nom.	B1 nom.	C1 nom.	D1 nom.
1	188	170	82.7	34.5	4.8

mm	A1 nom.	A2 nom.	B1 nom.	B2 nom.	C1 nom.	D1 nom.
2	109.6	98.5	74.4	63.7	32.2	4.9
3	109.6	98.5	74.4		32.2	4.9

Type	Input Voltage (V)	Input Frequency (Hz)	Number of Products on MCB (16A Type B)	Life to 90% Survivors (h)	mm	EAN-1
HID-PV C 35 W/I CDM	220 to 240	50-60	24	40,000	1	8711500881700
HID-PV C 35 W/S CDM	220 to 240	50-60	24	40,000	2	8711500881687
HID-PV C 50 W/I CDM	220 to 240	50-60	24	40,000	1	8727900933659
HID-PV C 50 W/S CDM	220 to 240	50-60	24	40,000	3	8727900933635
HID-PV C 70 W/I CDM	220 to 240	50-60	20	40,000	1	8711500881717
HID-PV C 70 W/S CDM	220 to 240	50-60	20	40,000	2	8711500881694

Commercial product name	Net Trade Price per Piece (€ net)	National Discount Group	EAN-1
HID-PV C 35 /I CDM 220-240V 50/60Hz NG	12 26,70	L3	8711500881700
HID-PV C 35 /S CDM 220-240V 50/60Hz NG	12 25,10	L3	8711500881687
HID-PV C 50 /I CDM 220-240V 50/60Hz	12 26,70	L3	8727900933659
HID-PV C 50 /S CDM 220-240V 50/60Hz	12 25,10	L3	8727900933635
HID-PV C 70 /I CDM 220-240V 50/60Hz NG	12 26,70	L3	8711500881717
HID-PV C 70 /S CDM 220-240V 50/60Hz NG	12 25,10	L3	8711500881694



## PrimaVision Mini for CDM



### PrimaVision Mini (20 W, 35 W & 50 W) for CDM – Miniature size to enhance creativity

Miniature HID electronic gear for PGJ5 CDM lamps – freeing up the boundaries of creativity and innovation in luminaire design

#### Benefits

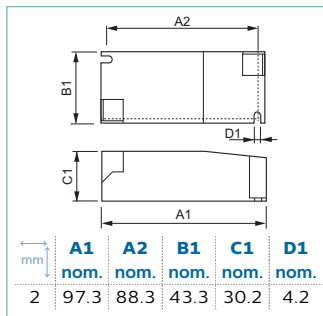
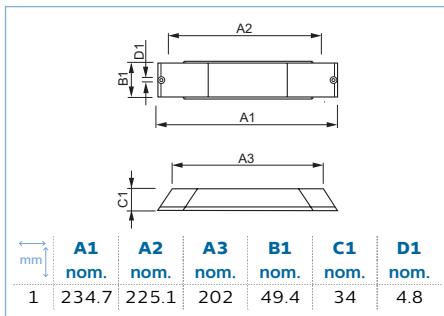
- Miniaturization enables stylish luminaire design and retrofit halogen replacement
- Optimal lamp performance thanks to minimal lamp power tolerance
- Easy luminaire design – in

#### Features

- Loop Through feature (in independent version)
- Smallest gear and highest wattage in miniature size
- Minimal lamp power spread
- Microprocessor – controlled
- Lamp end – of – life detection
- High Tambient and Tcase temperatures
- Long lifetime of 40,000 hours

#### Application

- 20/35/50 W accent and decorative lighting for shops, public spaces, lobbies and offices
- Suitable for indoor use only



Type	Input Voltage (V)	Input Frequency (Hz)	Number of Products on MCB (16A Type B)	mm	EAN - 1
HID - PV m 20 W Independent HPF CDM	220 to 240	50 - 60	24	1	8711500881632
HID - PV m 39 W / S HPF CDM	220 to 240	50 - 60	24	2	8718291671619

Commercial product name	Net Trade Price per Piece (€ net)	National Discount Group	EAN - 1
HID - PV m 20 / I CDM 220 - 240V 50/60Hz	10 38,90	L3	8711500881632
HID - PV m 35 / S CDM 220 - 240V 50/60Hz	12 57,20	L3	8718291671619





## PrimaVision Twin for CDM



### PrimaVision Twin (35 W & 70 W) for CDM - The cost-effective solution

Dual CDM lamp operation, single HID electronic gear – improves cost effectiveness and increases luminaire design flexibility

#### Benefits

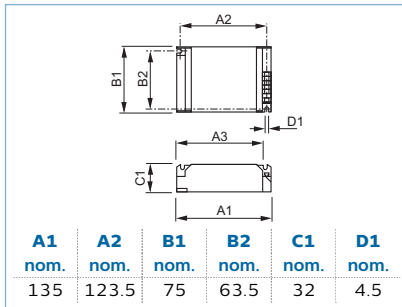
- Cost-effective, plus design flexibility
- Optimal lamp performance thanks to minimal lamp power tolerance
- Lamp life increased by up to 30% for CDM lamps

#### Features

- Single gear for two lamps
- Loop Through feature (in independent version)
- Minimal lamp power spread
- Low gear energy losses
- Lamp end-of-life detection
- High Tambient and Tcase temperatures
- Long lifetime of 40,000 hours

#### Application

- 35 and 70 W: accent and decorative lighting for shops, public spaces, lobbies and offices
- Suitable for indoor use only



Type	Input Voltage (V)	Input Frequency (Hz)	Number of Products on MCB (16A Type B)	EAN-1
HID-PV C 2x 35 W /S Int. Earth Loop CDM	220 to 240	50-60	14	8711500881892
Commercial product name	Net Trade Price per Piece (€ net)	National Discount Group	EAN-1	
HID-PV C 2x35 /S CDM 220-240V 50/60Hz	12 58,60	L3	8711500881892	



## PrimaVision Power for CDM



### PrimaVision Power (100 W & 150 W) for CDM – High power packed in a small size

PrimaVision Power gear is designed for optimal performance of 100 and 150 W CDM lamps – ideal where high-intensity light is key.

#### Benefits

- Optimal lamp performance thanks to minimal lamp power tolerance
- Lamp life increased by up to 30% for CDM lamps
- Eliminates all visible lamp flicker

#### Features

- Loop Through feature (in independent version)
- Low gear energy losses
- Lamp end-of-life detection
- High Tambient and Tcase temperatures
- Long lifetime of 40,000 hours

#### Application

- 100 and 150 W: high-bay area, accent and decorative lighting for shops, public spaces, lobbies and offices
- Suitable for indoor use only

mm	A1 nom.	A2 nom.	B1 nom.	B2 nom.	C1 nom.	D1 nom.
1	223.9	206	82.7	38.6	34.2	4.8

mm	A1 nom.	A2 nom.	B1 nom.	B2 nom.	C1 nom.	D1 nom.
2	135.0	123.5	75.0	63.5	32.0	4.5
3	223.9	206.0	82.7		34.2	4.8

mm	A1 nom.	A2 nom.	B1 nom.	B2 nom.	C1 nom.	D1 nom.
4	135	123.5	75	63.5	32	4.8

Type	Input Voltage (V)	Input Frequency (Hz)	Number of Products on MCB (16A Type B)	Life to 90% Survivors (h)	mm	EAN-1
HID-PV C 100 W /I CDM	220 to 240	50-60	17	40,000	1	8711500881847
HID-PV C 100 W /S CDM	220 to 240	50-60	17	40,000	2	8711500881830
HID-PV C 150 W /I CDM	220 to 240	50-60	6		3	8711500912879
HID-PV C 150 W /S CDM	220 to 240	50-60	6		4	8711500910523

Commercial product name	Net Trade Price per Piece (€ net)	National Discount Group	EAN-1
HID-PV C 100 /I CDM 220-240V 50/60Hz G5	10 57,20	L3	8711500881847
HID-PV C 100 /S CDM 220-240V 50/60Hz G5	12 49,00	L3	8711500881830
HID-PV C 150 /I CDM 220-240V 50/60Hz	10 55,70	L3	8711500912879
HID-PV C 150 /S CDM 220-240V 50/60Hz	12 51,20	L3	8711500910523



## PrimaVision for SDW-TG



### PrimaVision SDW-TG (50 W & 100 W) for SDW-TG - High quality and robust performance

Robust, lightweight and one-piece HID electronic gear for SDW-TG lamps (mini White SON) Lightweight, one-piece electronic gear for 50 and 100 W SDW-TG lamps (mini White SON)

#### Benefits

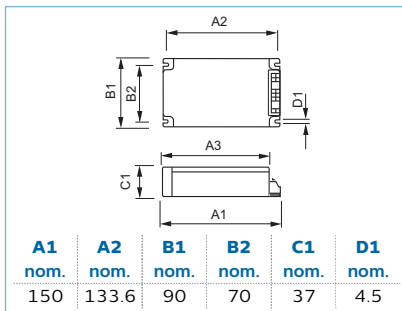
- Optimal lamp performance thanks to minimal lamp power tolerance
- Reduces color differences between lamps and initial lumen spread
- Performance is independent of mains voltage

#### Features

- Available as Standard (/S) version for use in a luminaire, or with separate strain relief for independent use on a (false) ceiling
- Minimal lamp power spread
- Lamp end-of-life detection
- High Tambient and Tcase temperatures
- Long lifetime of 40,000 hours

#### Application

- Shop lighting, for a cozy atmosphere (e. g. in furniture shops) and excellent display of fresh goods (e. g. in butcher's shops, bakeries, florists)
- Suitable for indoor use only



Type	Input Voltage (V)	Input Frequency (Hz)	Number of Products on MCB (16A Type B)	EAN-1
HID-PV 50 W/S SDW-TG	220 to 240	50-60	24	8711500881878
HID-PV 100 W/S SDW-TG	220 to 240	50-60	14	8711500881861

Commercial product name		Net Trade Price per Piece (€ net)	National Discount Group	EAN-1
HID-PV 50 /S SDW-TG 220-240V 50/60Hz	10	78,00	L3	8711500881878
HID-PV 100 /S SDW-TG 220-240V 50/60Hz	10	78,00	L3	8711500881861



## EXC for SOX



### HID - EXC for SOX

Electronic drivers for SOX lamps; designed to save energy and reduce maintenance costs

#### Benefits

- Provides equivalent light output to conventional technologies, with up to 36% lower energy consumption
- Replaces electromagnetic ballast, ignitor and capacitor
- Easy design-in due to slim cross-section and low weight; easy installation and cabling

#### Features

- Up to 93% system efficiency

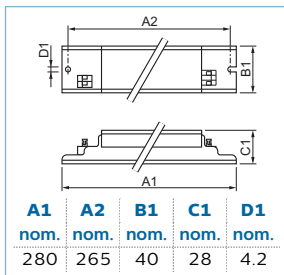
- Constant light output at mains voltages between approximately 200 and 255 V
- One compact component
- Slim cross-section and low weight
- Single-insert contacts

#### Environment


- RoHS-compliant
- Limited carbon footprint helps you to play your role in conserving our planet

#### Application

- Residential lighting
- City beautification
- Road lighting



Type	Input Voltage (V)	Input Frequency (Hz)	Number of Products on MCB (16A Type B)	Life to 90% Survivors (h)	EAN - 1
EXC 35 W EII SOX	220 to 240	50-60	30	50,000	8711500062383
EXC 36 W EII SOX-E	220 to 240	50-60	30	50,000	8711500062406
EXC 55 W EII SOX	220 to 240	50-60	22	50,000	8711500062420
EXC 66 W EII SOX-E	220 to 240	50-60	22	50,000	8711500062444

Commercial product name		Net Trade Price per Piece (€ net)	National Discount Group	EAN - 1
EXC 35 SOX 220-240V 50/60Hz	25	67,50	L3	8711500062383
EXC 36 SOX-E 220-240V 50/60Hz	25	67,50	L3	8711500062406
EXC 55 SOX 220-240V 50/60Hz	25	67,50	L3	8711500062420
EXC 66 SOX-E 220-240V 50/60Hz	25	67,50	L3	8711500062444



## PrimaVision for CDM Elite MW



### Highly reliable drivers for medium-wattage lamps

Highly reliable electronic drivers for medium-wattage lamps: 80,000 hours lifetime for the Xtreme version and 50,000 hours for the non-Xtreme versions

#### Benefits

- Most efficient white-light system in the industry in its power range
- Minimized maintenance costs for outdoor lighting thanks to very long lifetime
- Same energy consumption and smooth driving of the lamp regardless of fluctuations in mains voltage

#### Features

- Up to 92% system efficiency
- PrimaVision Xtreme 210 W CDM lifetime: 80,000 hours (90% survival Tc = 80 °C)

- PrimaVision Xtreme 210 W CDM: 5 kA/10 kV lightning strike protection
- PrimaVision 315 W CDM: lifetime 50,000 hours

#### Environment

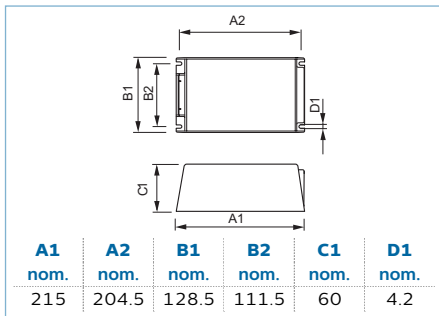
- RoHS compliant
- Limited carbon footprint helps you to play your role in conserving our planet

#### Application

- High-bay shop lighting
- Flood and area lighting
- Road lighting and petrol stations
- Offices and industry

#### System

- Designed for optimum system performance with Philips MASTERColour CDM Elite lamps



Type	Input Voltage (V)	Input Frequency (Hz)	Number of Products on MCB (16A Type B)	Life to 90% Survivors (h)	EAN-1
HID-PV 315 W/S CDM	220 to 240	50-60	4	50,000	8711500880888

Commercial product name	Net Trade Price per Piece (€ net)	National Discount Group	EAN-1
HID-PV 315 /S CDM 220-240V 50/60Hz	4 179,00	L3	8711500880888



## HID-PrimaVision CDM



### HID-PrimaVision CDM – Drivers for the highest reliability

Compact, lightweight and easy-to-use highly reliable electronic gear for optimal performance of 35/70/100/150 W CDM lamps

#### Benefits

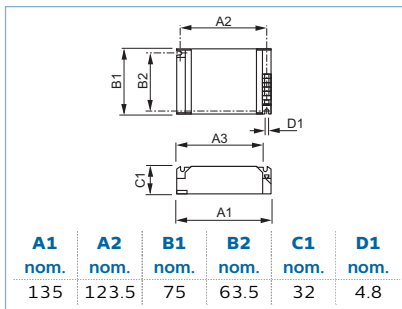
- Minimal lamp power tolerance results in optimal lamp performance
- Eliminates all visible lamp flicker
- Reduces color differences between lamps and reduces initial lumen spread
- Performance is independent of mains voltage
- Trouble-free installation and cabling with push-in contacts

#### Features

- available as a standard (/S) or PCB (/P) version for use in a luminaire
- Lamp end-of-life detection
- High Tambient and Tcase temperatures
- Long lifetime of 40,000 hours
- Push-in contacts

#### Application

- 35/70/100/150 W: accent and decorative lighting for shops, public spaces, lobbies and offices
- 150 W for high ceilings
- For indoor use only



Type	Input Voltage (V)	Input Frequency (Hz)	Number of Products on MCB (16A Type B)	EAN-1
HID-PV C 150 W /S CDM	220 to 240	50-60	6	8711500910523
Commercial product name	Net Trade Price per Piece (€ net)	National Discount Group	EAN-1	
HID-PV C 150 /S CDM 220-240V 50/60Hz	12	51,20	L3	8711500910523



## PrimaVision BasePerform



### The ideal alternative to magnetic drivers

Highly reliable electronic drivers for SON and CDO lamps designed to save energy thanks to better light efficiency compared to magnetic drivers, and to save on maintenance costs thanks to a lifetime of up to 50,000 hours.

#### Benefits

- Focused on best operation with SON and CDO lamps – can function for up to 6 years without maintenance cost

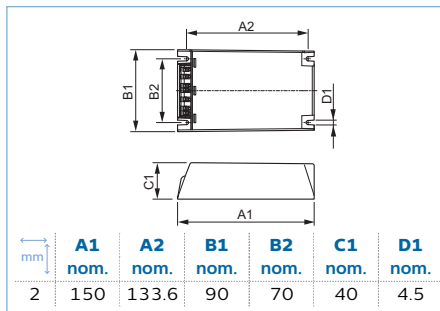
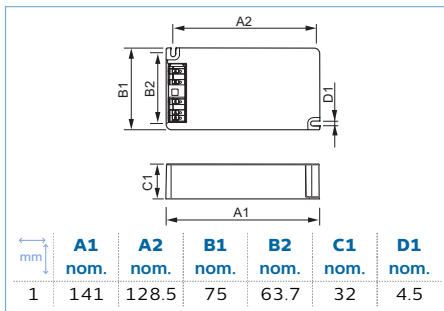
- Competitive pricing – similar to magnetic system (ballast + ignitor + capacitor)
- Same number of drivers per MCB as electro-magnetic ballasts

#### Features

- Lifetime of 50,000 hours, 3-year warranty
- Future-proof solution [A2-compliant] designed to compete with electromagnetic systems
- Wide temperature range: -30 to +55 °C

#### Application

- Roads
- Urban streets
- Parks



Type	Input Voltage (V)	Input Frequency (Hz)	Number of Products on MCB (16A Type B)	Life to 90% Survivors (h)	mm	EAN-1
HID-PV Base 56 W C3 SON/CDO	220 to 240	50-60	17	50,000	1	8718696531471
HID-PV Base 79 W C3 SON/CDO	220 to 240	50-60	13	50,000	1	8718696531518
HID-PV Base 109 W Q SON/CDO	220 to 240	50-60	11	50,000	2	8718696531556
HID-PV Base 164 W Q SON/CDO	220 to 240	50-60	8	50,000	2	8718696531570

Commercial product name	Net Trade Price per Piece (€ net)	National Discount Group	EAN-1
HID-PV Base 50 SON C3 220-240V	12 31,80	L3	8718696531471
HID-PV Base 70 SON C3 220-240V	12 34,10	L3	8718696531518
HID-PV Base 100 SON/CDO Q 220-240V	12 41,00	L3	8718696531556
HID-PV Base HID-PV Base 150 SON/CDO Q 220-240V	12 43,30	L3	8718696531570





## Gear for SDW-T lamps



### Product Description

CSLS electronic control unit with impregnated (HID 'BASIC') or encapsulated (HID 'Heavy Duty') electromagnetic ballasts

#### Benefits

- Electronic control unit ensures reliable starting and stabilizes lamp power for optimum performance (minimum color deviation)
- Simple installation and cabling

#### Features

- Ballasts and electronic control units equipped with screw terminal blocks; other contact possibilities for

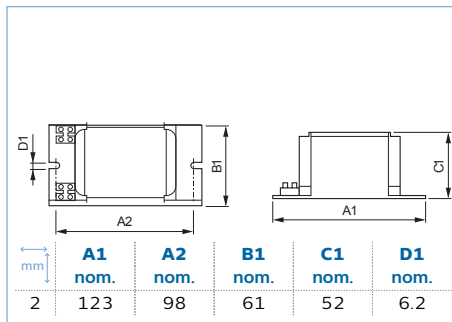
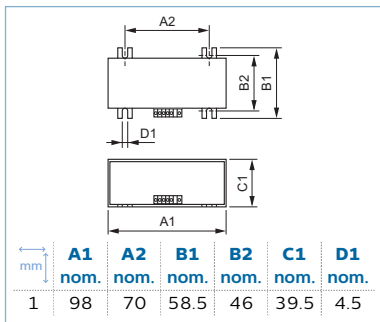
- Earthing-while-mounting facility (HID 'BASIC' ballasts), separate earth terminal (HID 'Heavy Duty')

#### Application

- Similar to those of the related lamps

#### Warnings and Safety

- Climatic suitability CSLS and HID BASIC: restricted to built in situations under normal conditions
- Climatic suitability CSLS and HID Heavy Duty: use in luminaires under humid conditions (not drip-proof)



Type	Input Voltage (V)	Input Frequency (Hz)	Design	mm	EAN-1
CSLS 50 W SDW-T	220 to 240	50-60		1	8711500908087
CSLS 100 W SDW-T	220 to 240	50-60		1	8711500908704
BSL 150/100 W K202-A2-TS SDW-T	230	50	BC1-118	2	8718696740767

Commercial product name	Net Trade Price per Piece (€ net)	National Discount Group	EAN-1
BSL 100 K202-A2-TS 230V 50Hz	6 15,59	L3	8718696740767
CSLS 50 SDW-T 220-240V 50/60Hz	18 82,40	L3	8711500908087
CSLS 100 SDW-T 220-240V 50/60Hz	18 84,70	L3	8711500908704



## HID-Basic BSN/BMH MK4 semi-parallel for SON/CDO/CDM/MH/HPI



### Long-lasting, reliable solution

Impregnated electromagnetic copper ballasts for use with an external semi-parallel ignitor for CDM, CDO, MH, HPI (Plus) and SON lamps

#### Benefits

- System design: one ignitor SKD578 can trigger all lamps from 35 to 600 W
- Long-lasting reliable solution protected from overheating; better for hot environments than its predecessors; extended warranty
- Minimal watt losses thanks to orthocyclic winding process

#### Features

- Improved thermal features – much cooler ballast
- All ballasts are equipped with ThermoSwitch for protection against end-of-lamp-life phenomena
- Ballast can also be used in combination with series (superimposed) ignitor

- Equipped with screw terminal blocks as standard; insert contacts available upon request
- Ballasts for alternative mains voltages/frequencies available upon request

#### Application

- Outdoor lighting
- Horticulture

#### System

- Electromagnetic system requires ballast, ignitor and capacitor
- Semi-parallel circuit: if ballasts with “L” in their description (e. g. BSN 100 L307...) are used, SN(D)... ignitors are required; if ballasts with “K” in their description (e. g. BSN 100 K307...) are used, SK(D)... ignitors are required. Capacitor value to match system power can be found on lamp/ballast combination sheet.
- Series circuit: all ballasts are designed to work with series ignitors
- No ignitor needed for SON-I lamps

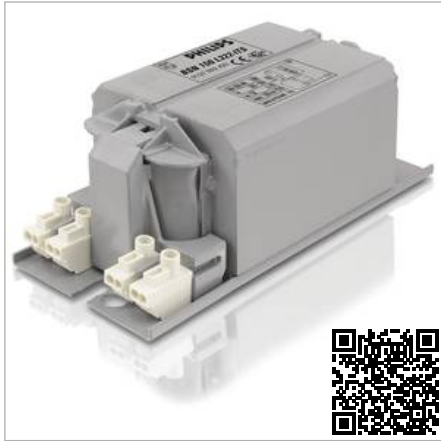
mm	A1 nom.	A2 nom.	B1 nom.	C1 nom.	D1 nom.
1	118	94	61	52	6.2
2	123	98	61	52	6.2
3	134	113	76	65	6.2
4	160	139	76	65	6.2

mm	A1 nom.	A2 nom.	B1 nom.	B2 nom.	C1 nom.	D1 nom.
5	166	145	97	78.5	83	6.5

Type	Lamp family code	Input Voltage (V)	Input Frequency (Hz)	Design	mm	EAN-1
BSN 50 W K302-A2-ITS	SON/CDO	230	50	BC1-118	1	8718696740781
BSN 70 W K302-A2-ITS	SON/CDO	230	50	BC1-118	1	8718696740828
BSN 100 W K302-A2-ITS	SON/CDO	230	50	BC1-123	2	8718696740866
BSN 150 W K302-A2-ITS	SON/MH/CDM/CDO	230	50	BC2-134	3	8718696740965
BSN 250 W K302-A2-ITS	SON/MH/CDM/CDO	230	50	BC2-160	4	8718696741023
BSN 400 W K407-A2-ITS	SON/HPI	230 V (default) or 240	50	BC3-166	5	8711500881571

Commercial product name	Net Trade Price per Piece (€ net)	National Discount Group	EAN-1
BSN 50 K302-A2-ITS 230V 50Hz	6 19,50	L3	8718696740781
BSN 70 K302-A2-ITS 230V 50Hz	6 19,50	L3	8718696740828
BSN 100 K302-A2-ITS 230V 50Hz	6 20,80	L3	8718696740866
BSN 150 K302-A2-ITS 230V 50Hz	6 28,50	L3	8718696740965
BSN 250 K302-A2-ITS 230V 50Hz	6 37,30	L3	8718696741023
BSN 400 K407-A2-ITS 230/240V 50Hz BC3	2 54,50	L3	8711500881571

## HID - Basic BSN/BMH semi-parallel for SON/CDO/CDM/MH/HPI



### Long-lasting, reliable solution

Impregnated electromagnetic copper ballasts for use with an external semi-parallel ignitor for CDM, CDO, MH, HPI (Plus) and SON lamps

#### Benefits

- Long-lasting reliable solution protected from overheating
- Minimal watt losses thanks to orthocyclic winding process
- Control gear can be installed remotely

#### Features

- All ballasts are equipped with ThermoSwitch for protection against end-of-lamp-life phenomena
- Ballast can also be used in combination with series (superimposed) ignitor
- Equipped with screw terminal blocks as standard; insert contacts available upon request

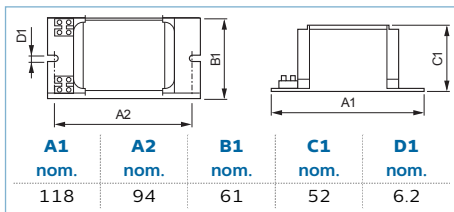
- Earthing - while-mounting facility
- Ballasts for alternative mains voltages/frequencies available upon request

#### Application

- Outdoor lighting
- Horticulture

#### System

- Electromagnetic system requires ballast, ignitor and capacitor
- Semi-parallel circuit: if ballasts with "L" in their description (e. g. BSN 100 L307...) are used, SN(D)... ignitors are required; if ballasts with "K" in their description (e. g. BSN 100 K307...) are used, SK(D)... ignitors are required. Capacitor value to match system power can be found on lamp/ballast combination sheet
- Series circuit: all ballasts are designed to work with series ignitors
- No ignitor needed for SON-I lamps



Type	Lamp family code	Input Voltage (V)	Input Frequency (Hz)	Design	EAN-1
BMH 70 W K302-A2-ITS	MH	230	50	BC1-118	8718696740743

Commercial product name	Net Trade Price per Piece (€ net)	National Discount Group	EAN-1
BMH 70 K302-A2-ITS 230V 50Hz	18,59	L3	8718696740743



## HID - Basic BSN/BMH series multi-wattage for SON/CDO/CDM/MH/HPI


**Long-lasting, reliable solution**

Impregnated electromagnetic copper/iron double-wattage ballasts for use with an external series (superimposed) ignitor for CDO, MH, HPI (Plus) and SON lamps

**Benefits**

- Up to 40% energy saving using power-reduction controllers
- Minimal watt losses thanks to orthocyclic winding process
- Long-lasting reliable solution protected from overheating

**Features**

- Possibility of dimming with an external controller

- Multi-wattage ballasts can be used only in series circuits
- Equipped with screw terminal blocks as standard; insert contacts available upon request
- Earthing-while-mounting facility
- Ballasts for alternative mains voltages/frequencies available upon request

**Application**

- Outdoor lighting

**System**

- Electromagnetic system requires ballast, ignitor and capacitor
- Series circuit: all ballasts are designed to work with series ignitors – SUD..(Philips) or any other series ignitors

	A1 nom.	A2 nom.	B1 nom.	C1 nom.	D1 nom.
1	123	98	61	52	6.2
2	134	113	76	65	6.2

Type	Lamp family code	Input Voltage (V)	Input Frequency (Hz)	Design	mm	EAN-1
BSN 50/70 W K302-A2-TS	SON/CDO	230	50	BC1-123	1	8718696741108
BSN 100/70 W K302-A2-TS	SON/CDO	230	50	BC1-123	1	8718696741122
BSN 150/100 W K302-A2-TS	SON/MH/CDM/CDO	230	50	BC2-134	2	8718696741146

Commercial product name		Net Trade Price per Piece (€ net)	National Discount Group	EAN-1
BSN 70/50 K302-A2-TS 230V 50Hz	6	18,00	L3	8718696741108
BSN 100/70 K302-A2-TS 230V 50Hz	6	20,91	L3	8718696741122
BSN 150/100 K302-A2-TS 230V 50Hz	6	32,59	L3	8718696741146



## HID-HeavyDuty BSN semi-parallel for SON/CDO/MH/HPI



### Long-lasting, reliable solution

Encapsulated electromagnetic copper/iron ballasts for use with an external semi-parallel ignitor for CDM, CDO, MH, HPI (Plus) and SON lamps

#### Benefits

- Excellent resistance to chemical impact, humid conditions and environmental stress crack
- Long-lasting reliable solution – outstanding product lifetime of 15 years average
- Minimal watt losses thanks to orthocyclic winding process
- Control gear can be installed remotely

#### Features

- Encapsulated with thermoplastic polyester resin, reinforced with glass fiber
- Equipped with screw terminal blocks as standard; insert contacts available upon request

- Ballasts for alternative mains voltages/frequencies available upon request
- Separate earth terminal (HID 'Heavy Duty')

#### Application

- Outdoor lighting (most popular application: road and tunnel lighting)

#### System

- Electromagnetic system requires ballast, ignitor and capacitor
- Semi-parallel circuit: if ballasts with "L" in their description (e. g. BSN 100 L307...) are used, SN(D)... ignitors are required; if ballasts with "K" in their description (e. g. BSN 100 K307...) are used, SK(D)... ignitors are required. Capacitor value to match system power can be found on lamp/ballast combination sheet
- Series circuit: all ballasts are designed to work with series ignitors
- No ignitor needed for SON-I lamps

	A1	A2	B1	C1	D1
mm	nom.	nom.	nom.	nom.	nom.
1	118	103.0	65	53	6.2
2	166	147.5	102	84	6.2

	A1	A2	B1	C1	D1
mm	nom.	nom.	nom.	nom.	nom.
3	123	108	65	53	6.2
4	126	108	81	66	6.2
5	151	132	81	66	6.2

Type	Lamp family code	Input Voltage	Input Frequency	Design	mm	EAN-1
		(V)	(Hz)			
BSN 70 W L33-A2-TS	SON/CDO	230	50	HD1-118	1	8711500059680
BSN 100 W L33-A2-TS	SON	230	50	HD1-123	3	8718696740941
BSN 150 W L33-A2-TS	SON/MH	230	50	HD2-126	4	8718696741009
BSN 250 W L33-A2-TS	SON/MH	230	50	HD2-151	5	8718696741085
BSN 400 W L33-A2-TS	SON/HPI	230	50	HD3-166	2	8711500059765

Commercial product name	Net Trade Price per Piece	National Discount Group	EAN-1
	(€ net)		
BSN 70 L33-A2-TS 230V 50Hz HD1-118	6 28,80	L3	8711500059680
BSN 100 L33-A2-TS 230V 50Hz	6 33,20	L3	8718696740941
BSN 150 L33-A2-TS 230V 50Hz	6 38,20	L3	8718696741009
BSN 250 L33-A2-TS 230V 50Hz	6 48,00	L3	8718696741085
BSN 400 L33-A2-TS 230V 50Hz HD3-166	4 60,70	L3	8711500059765



## HID-Basic BHL MK4 for HPL/HPI



### Long-lasting, reliable solution

Impregnated electromagnetic copper/iron ballasts for HPL, HPI (Plus) and SON-H lamps

#### Benefits

- Long-lasting reliable solution protected from overheating; better for hot environments than its predecessors; extended warranty
- Minimal watt losses thanks to orthocyclic winding process
- Control gear can be installed remotely

#### Features

- Improved thermal features – much cooler ballast
- Ballasts designed for mercury lamps (HPL) without using an ignitor can also be used with HPI lamps with an ignitor

- Equipped with screw terminal blocks as standard; insert contacts available upon request
- Earthing-while-mounting facility
- Ballasts for alternative mains voltages/frequencies available upon request

#### Application

- Outdoor lighting

#### System

- Electromagnetic system requires ballast, ignitor and capacitor
- Mercury lamps (HPL) no ignitor needed. Capacitor value to match system power can be found on lamp/ballast combination sheet
- Metal-halide lamps (HPI) to be used with SI51 ignitor. Capacitor value to match system power can be found on lamp/ballast combination sheet.

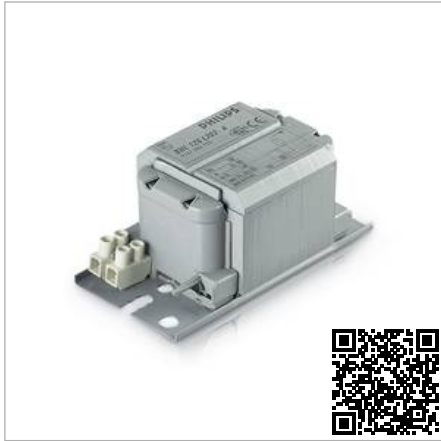
mm	A1 nom.	A2 nom.	B1 nom.	C1 nom.	D1 nom.
1	134	113	76	65	6.2
2	160	139	76	65	6.2

Type	Lamp family code	Input Voltage (V)	Input Frequency (Hz)	Design	mm	EAN-1
BHL 250 W K307-A2	HPL/HPI	230 V (default) or 240	50	BC2-134	1	8711500881588
BHL 400 W K307-A2	HPL/HPI	230 V (default) or 240	50	BC2-160	2	8711500881595

Commercial product name		Net Trade Price per Piece (€ net)	National Discount Group	EAN-1
BHL 250 K307-A2 230/240V 50Hz BC2-134	6	24,80	L3	8711500881588
BHL 400 K307-A2 230/240V 50Hz BC2-160	6	32,80	L3	8711500881595



## HID-Basic BHL for HPL/HPI



### Long-lasting, reliable solution

Impregnated electromagnetic copper/iron ballasts for HPL, HPI (Plus) and SON-H lamps

#### Benefits

- Long-lasting reliable solution
- Minimal watt losses thanks to orthocyclic winding process
- Control gear can be installed remotely

#### Features

- Ballasts designed for mercury lamps (HPL) without using an ignitor can be also used with HPI lamps together with an ignitor
- Equipped with screw terminal blocks as standard; insert contacts available upon request

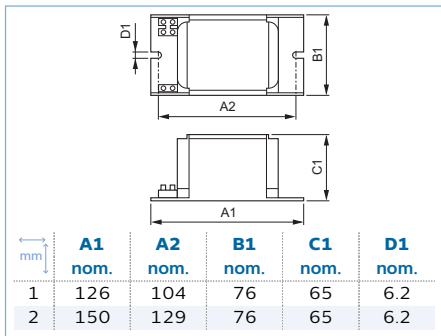
- Earthing-while-mounting facility
- Ballasts for alternative mains voltages/frequencies available upon request

#### Application

- Outdoor lighting

#### System

- Electromagnetic system requires ballast, ignitor and capacitor
- Mercury lamps (HPL) ? no ignitor needed. Capacitor value to match system power can be found on lamp/ballast combination sheet
- Metal-halide lamps (HPI) to be used with SI51 ignitor. Capacitor value to match system power can be found on lamp/ballast combination sheet



Type	Lamp family code	Input Voltage (V)	Input Frequency (Hz)	Design	mm	EAN-1
BHL 250 W K202-A2	HPL/HPI	230	50	BC2-126	1	8727900940640
BHL 400 W K202-A2	HPL/HPI	230	50	BC2-151	2	8727900940763

Commercial product name		Net Trade Price per Piece (€ net)	National Discount Group	EAN-1
BHL 250 K202-A2 230V 50Hz BC2-126	6	24,80	L3	8727900940640
BHL 400 K202-A2 230V 50Hz BC2-151	6	32,80	L3	8727900940763





## HID-HeavyDuty BHL for HPL/HPI



### Long-lasting, reliable solution

Encapsulated electromagnetic copper/iron ballasts for HPL, HPI (Plus) and SON-H lamps

#### Benefits

- Excellent resistance to chemical impact, humid conditions and environmental stress crack
- Long-lasting reliable solution – outstanding product lifetime of 15 years average
- Minimal watt losses thanks to orthocyclic winding process
- Control gear can be installed remotely

#### Features

- Encapsulated with thermoplastic polyester resin, reinforced with glass fiber
- Ballasts designed for mercury lamps (HPL) without using an ignitor can also be used with HPI lamps together with an ignitor

- Equipped with screw terminal blocks as standard; insert contacts available upon request
- Ballasts for alternative mains voltages/frequencies available upon request
- Separate earth terminal (HID 'Heavy Duty')

#### Application

- Outdoor lighting

#### System

- Electromagnetic system requires ballast, ignitor and capacitor
- Mercury lamps (HPL) ? no ignitor needed. Capacitor value to match system power can be found on lamp/ballast combination sheet
- Metal-halide lamps (HPI) to be used with SI51 ignitor. Capacitor value to match system power can be found on lamp/ballast combination sheet

mm	A1 nom.	A2 nom.	B1 nom.	C1 nom.	D1 nom.
1	126	107.5	81	66	6.2
2	151	132.5	81	66	6.2

Type	Lamp family code	Input Voltage (V)	Input Frequency (Hz)	Design	mm	EAN-1
BHL 250 W L40-A2	HPL/HPI	230	50	HD2-126	1	8711500919502
BHL 400 W L40-A2	HPL/HPI	230	50	HD2-151	2	8711500919533

Commercial product name		Net Trade Price per Piece (€ net)	National Discount Group	EAN-1
BHL 250 L40-A2 230V 50Hz HD2-126	6	33,41	L3	8711500919502
BHL 400 L40-A2 230V 50Hz HD2-151	6	44,50	L3	8711500919533



## HID - HighPower for SON/MH/HPL/HPI



### Long-lasting, reliable solution

Encapsulated ballasts for use with SON (T) (Plus), HPL, HPI and MH lamps with rated wattages of 1,000 W and above

#### Benefits

- Protected from overheating – outstanding product lifetime of 15 years average
- Minimal watt losses thanks to orthocyclic winding process
- Ideal for pole mounting

#### Features

- Excellent resistance to chemical impact, humid conditions and environmental stress crack
- Class I rated (i. e. with earthing facility)

- Equipped with screw terminal blocks as standard
- Separate earth terminal (HID 'Heavy Duty')
- Ballasts for alternative mains voltages/frequencies available upon request

#### Application

- Outdoor lighting (most popular application areas: sports and area lighting)

#### System

- Electromagnetic system requires ballast, ignitor and capacitor
- Ballast power 1,000 W and above – series or parallel circuit can be applied. Ignitor and capacitor value according to system power can be found in lamp-ballast combination sheet

mm	A1 nom.	A2 nom.	A3 nom.	B1 nom.	B2 nom.	C1 nom.	D1 nom.
1	207	172	196	117	88	102	6.5
2	257	222	246	117	88	102	6.5
3	317	282	306	117	88	102	6.5

mm	A1 nom.	A2 nom.	A3 nom.	B1 nom.	B2 nom.	C1 nom.	D1 nom.
4	317	282	306	117	88	102	6.5

Type	Lamp family code	Input Voltage (V)	Input Frequency (Hz)	Design	mm	EAN-1
BHL 1000 W L78-A2	HPI	230 V (default) or 240	50	HP-207	1	8711500996657
BSN 1000 W L78-A2	SON	230 V (default) or 240	50	HP-257	2	8711500996640
BHL 2000 W L76-A2	HPI	380 to 415	50	HP-317	3	8711500996664
BHD 2000 W L76-A2	MH	380 to 415	50	HP-317	4	8711500996695

Commercial product name	Net Trade Price per Piece (€ net)	National Discount Group	EAN-1
BHD 2,000 L76-A2 380/400/415V 50Hz HP-317	1 245,80	L3	8711500996695
BHL 1,000 L78-A2 230/240V 50Hz HP-207	1 158,00	L3	8711500996657
BHL 2,000 L76-A2 380/400/415V 50Hz HP-317	1 243,70	L3	8711500996664
BSN 1,000 L78-A2 230/240V 50Hz HP-257	1 227,70	L3	8711500996640



## HID-Constant wattage BSX for SOX



### Long-lasting, reliable solution

Constant-wattage (potted) electromagnetic copper/iron ballasts for use with an external ignitor for SOX and SOX-E lamps

#### Benefits

- Excellent resistance to humid conditions
- Long-lasting reliable solution – outstanding product lifetime of 15 years average
- Minimal watt losses thanks to orthocyclic winding process
- Control gear can be installed remotely

#### Features

- Series capacitor required in circuits with constant wattage

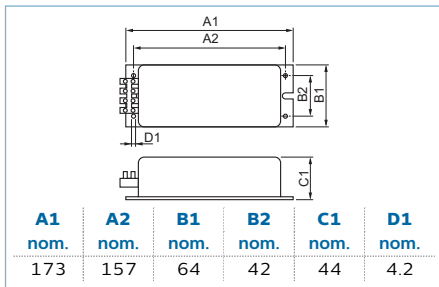
- Silicon potted ballast under IP21 canopy
- Equipped with screw terminal blocks as standard
- Ballasts for alternative mains voltages/frequencies available upon request

#### Application

- Outdoor lighting

#### System

- Electromagnetic system requires ballast, ignitor and capacitor
- To be used with relevant SX. . ignitor
- Capacitor value to match system power can be found on lamp/ballast combination sheet
- Climatic suitability: restricted to built-in situations where relative humidity is limited



Type	Lamp family code	Input Voltage (V)	Input Frequency (Hz)	Design	EAN-1
BSX 55 W H26	SOX-E	220 to 230	50	CW-173/44	8711500919960
Commercial product name		Net Trade Price per Piece	National Discount Group	EAN-1	
BSX 55 H26 220-230V 50Hz CW-173/44		12 (€ net)	L3	8711500919960	



## HID ignitors for series systems



### Digital ignitors for maximum reliability

HID ignitors for series systems

#### Benefits

- Easy installation and wiring
- Can operate with both semi-parallel and series ballasts
- Digital ignitors ensure maximum reliability

#### Features

- Ignitors equipped with screw terminal blocks as standard

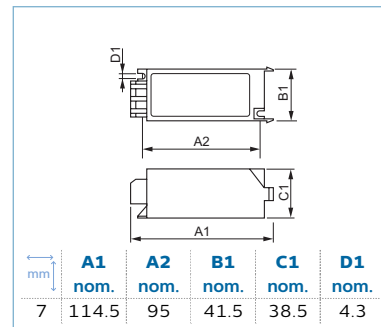
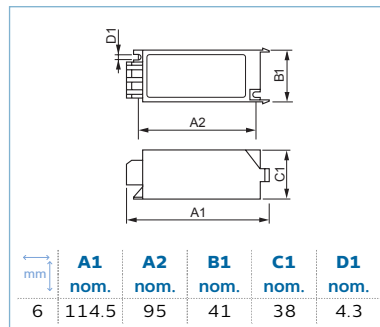
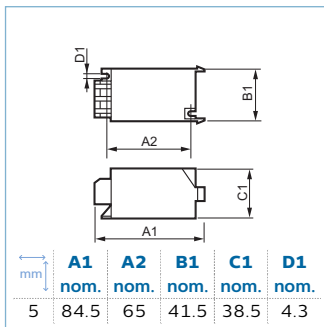
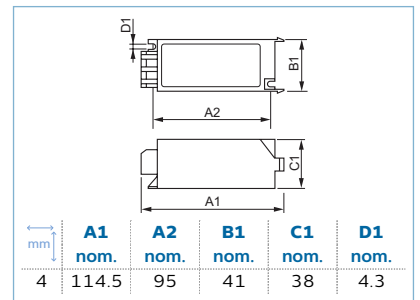
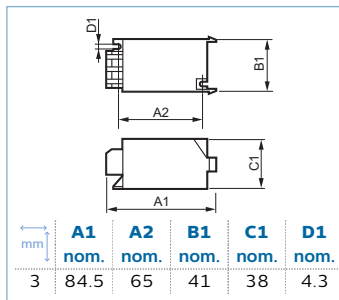
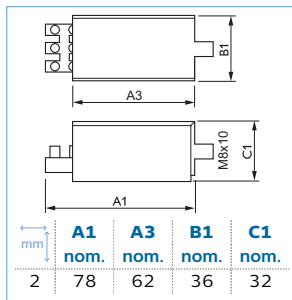
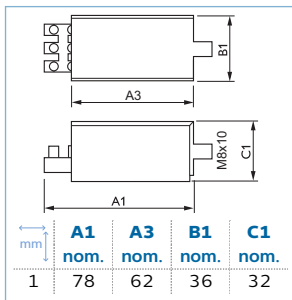
- Series ignitor will only work in series circuits

#### Application

- Outdoor lighting (most popular application: road and tunnel lighting)

#### System

- Electromagnetic system requires ballast, ignitor and capacitor
- Designed to work only in series circuits
- No ignitor needed for SON-I lamps



Type	Lamp family code	Input Voltage (V)	Input Frequency (Hz)	mm	EAN-1
SN 10-S	SON/CDO	220 to 240	50-60	1	8711500931443
SN 38-S	SON/CDO	220 to 240	50-60	2	8718291153740
SN 40-S	SON/MH/CDM/CDO	220 to 240	50-60	1	8711500930354
SN 51	HPI	220 to 240	50-60	3	8711500915535
SN 52	HPI	220 to 240	50-60	3	8711500915542
SN 54	HPI	380 to 415	50-60	4	8711500915481
SN 57	SON	220 to 240	50-60	5	8711500930668
SN 58	SON/CDM/MH/HPI/HPA	220 to 240	50-60	5	8711500930682
SN 59	SON/MHN	220 to 240	50-60	6	8711500915573
SN 88	GP-SON	400	50-60	7	8711500910349

Commercial product name	Net Trade Price per Piece (€ net)	National Discount Group	EAN-1
SI 51,220-240V 50/60Hz	48 9,09	L3	8711500915535
SI 52,220-240V 50/60Hz	48 9,09	L3	8711500915542
SI 54,380-415V 50/60Hz	20 21,30	L3	8711500915481
SN 59,220-240V 50/60Hz	20 26,50	L3	8711500915573
SND 57,220-240V 50/60Hz	48 15,40	L3	8711500930668
SND 58,220-240V 50/60Hz	48 15,40	L3	8711500930682
SND 88 400V 50/60Hz	120 23,41	L3	8711500910349
SU38-S 220-240V 50/60Hz	30 12,40	L3	8718291153740
SUD 10-S 220-240V 50/60Hz	30 20,00	L3	8711500931443
SUD 40-S 220-240V 50/60Hz	30 20,00	L3	8711500930354

## HID ignitors for MK4 semi-parallel systems



### Compact ignitors for flexible luminaire design

HID ignitors for semi-parallel systems

#### Benefits

- Wide range of lamps covered by one ignitor 35 - 600 W
- Digital versions ensure longer lifetime than series ignitors, and silent operation
- Smaller dimensions than predecessors mean it fits more easily into compact luminaires

#### Features

- Designed to ensure maximum performance with new MK4 ballasts
- Semi-parallel ignitor will only work in semi-parallel circuits and must be matched with the relevant ballast
- Ignitors equipped with screw terminal blocks as standard

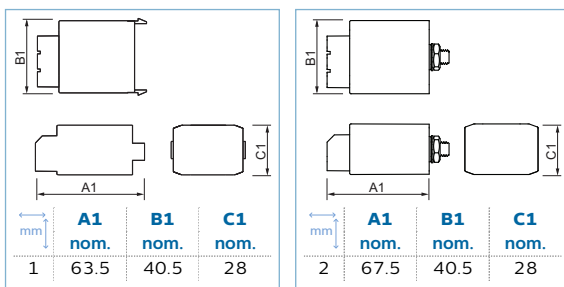
- Lightweight and compact products
- Current flows through ignitor only at lamp start-up

#### Application

- Outdoor lighting

#### System

- Electromagnetic system requires ballast, ignitor and capacitor
- Designed to work only in semi-parallel circuits: if ballasts with "L" in their description (e. g. BSN 100 L307...) are used, SN(D)... ignitors are required; if ballasts with "K" in their description (e. g. BSN 100 K307...) are used, SK(D)... ignitors are required. Capacitor value to match system power can be found on lamp/ballast combination sheet
- No ignitor needed for SON-I lamps



Type	Lamp family code	Input Voltage (V)	Input Frequency (Hz)	mm	EAN-1
SKD 578	SON/CDM/MH/HPI/HPA/CDO	220 to 240	50-60	1	8727900771312
SKD 578-S	SON/CDM/MH/HPI/HPA/CDO	220 to 240	50-60	2	8711500881779

Commercial product name	Net Trade Price per Piece (€ net)	National Discount Group	EAN-1
SKD 578,220-240V 50/60Hz	48 12,00	L3	8727900771312
SKD 578-S 220-240V 50/60Hz	20 12,00	L3	8711500881779



## HF-Regulator Intelligent Touch DALI for PL-T/C and TL5C



### Dimming – a next step in energy saving

Intelligent high-frequency electronic dimming ballast, using DALI (Digital Addressable Lighting Interface according to IEC 62386) or Touch and Dim push-button protocol for fluorescent lamps. Features Corridor Mode, programmable with Philips MultiOne. High-frequency operation improves light quality and lamp lifetime. Pre-empting upcoming legislation as it meets A1BAT requirements.

The ballast is primarily designed for Indoor application. For outdoor application, the luminaire should be minimum Class I and need to be sufficiently protected against water & dust. The installation should also be guard against any lightning surge or any other necessary electrical protection as deemed in such typical installation & application.

#### Benefits

- Programmed start: flicker-free ignition in 0.5 seconds and striation-free operation, no stroboscopic effects. Preheating the lamp electrodes enables the lamps to be switched on and off without reducing life

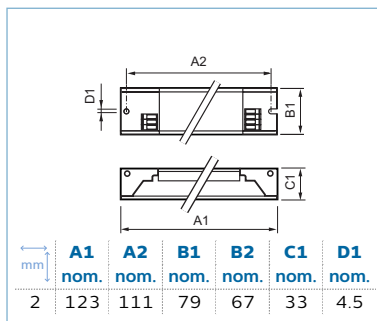
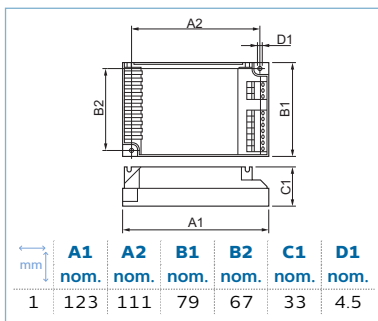
- Smart power ensures constant light, independent of mains fluctuations, and dimming from 3 to 100%
- Protected against excessive mains voltages, incorrect connections and incorrect lamp use

#### Features

- Extremely low stand-by losses, controlled cut-off for dimming levels above 80%
- Combined with controls, additional energy savings can be achieved
- Stop circuit is activated within 5 seconds of lamp failure (safety stop), and ballast resets automatically after lamp replacement
- HF operation improves light quality and lamp lifetime
- Programmable Corridor Mode
- Compliant with European and Asian norms and suitable for emergency lighting systems

#### Application

- Indoor general and task lighting applications in combination with lighting control systems (personal control, daylight linking and/or movement detection)



Type	Input Voltage (V)	Input Frequency (Hz)	Number of Products on MCB (16A Type B)	Life to 90% Survivors (h)	Energy Efficiency Index	mm	EAN-1
HF-Ri 1x 26-42 W PL-T/C E+	195-240	50-60	28	50,000	A1 BAT	1	8718291241676
HF-Ri 2x 26-42 W PL-T/C E+	195-240	50-60	12	50,000	A1 BAT	1	8718291241690
HF-Ri 1x 55 W TL5C E+	195-240	50-60	12	50,000	A1 BAT	2	8718291718642
HF-Ri 1x 60 W TL5C E+	195-240	50-60	12	50,000	A1 BAT	2	8718291718628

Commercial product name	Net Trade Price per Piece (€ net)	National Discount Group	EAN-1
HF-Ri TD 1 26-42 PL-T/C E+	12 34,60	L3	8718291241676
HF-Ri TD 2 26-42 PL-T/C E+	12 37,10	L3	8718291241690
HF-Ri TD 155 TL5C E+ 195-240V 50/60Hz	12 39,70	L3	8718291718642
HF-Ri TD 160 TL5C E+ 195-240V 50/60Hz	12 39,70	L3	8718291718628

## HF-Regulator Intelligent Touch DALI for TL5/TL-D/PL-L lamps



### Dimming the next step in energy saving

This intelligent high-frequency electronic dimming ballast utilizes the DALI or Touch and Dim push-button protocol for fluorescent lamps. It meets A1BAT requirements, thereby pre-empting upcoming legislation. With a special command you can retrieve the system's mains power consumption, and with another you can find out which lamp wattage is connected. Combined with controls, additional energy savings can be achieved.

The ballast is primarily designed for Indoor application. For outdoor application, the luminaire should be minimum Class bspI and need to be sufficiently protected against water & dust. The installation should also be guard against any lightening surge or any other necessary electrical protection as deemed in such typical installation & application.

mm	A1 nom.	A2 nom.	B1 nom.	C1 nom.	D1 nom.
1	360	350	30	22	4.1
2	360	350	30	21	4.1
3	360	350	39	22	4.2
4	424	415	30	22	4.2

### Benefits

- Extremely low stand-by losses, controlled cut-off for dim levels above 80%, hybrid control dimming (current control at 100% and power control at 1%) – combined with MASTER TL5 Eco the most energy-efficient solution
- HF operation improves light quality and lamp lifetime.
- Compliant with European and Asian norms and suitable for emergency lighting systems

### Features

- HF-R Intelligent recognizes what type of lamp (T5 HE, HO, ECO, TL-D, PL-L) is connected and drives it accordingly

- Programmed start: flicker-free ignition < 1.0 second and striation-free operation, no stroboscopic effects. Preheating the lamp electrodes enables the lamps to be switched on and off without reducing life
- Smart power ensures constant light, independent of mains fluctuations and dimming from 1 to 100%
- Stop circuit is activated within 5 seconds in the event of lamp failure (safety stop), and ballast resets automatically after lamp replacement
- Programmable for intelligent functionalities via Philips MultiOne: Corridor mode, Emergency DC dim level, Burn-in time

### Environment

- The HF-R intelligent will recognize which lamp is connected and will drive it accordingly
- Extremely low energy consumption in stand-by (0.25 W)
- Optimized for MASTER TL5 Eco lamps
- RoHS and ISO 14000-compliant
- EEI = A1 BAT (Best available technology)

### Application

- Indoor, general and task lighting applications in combination with lighting control systems (personal control, daylight linking and/or movement detection)

### System

- The HF-R intelligent recognizes which type of lamp is connected and drives it accordingly
- Extremely low energy consumption in stand-by mode (0.25 W)
- HF-Ri TD in combination with MASTER TL5 Eco the most efficient system in the market

Type	Input Voltage (V)	Input Frequency (Hz)	Number of Products on MCB (16A Type B)	Life to 90% Survivors (h)	Energy Efficiency Index	mm	EAN-1
HF-Ri 1x TL5 E+	195-240	50-60	18	50,000	A1 BAT	1	8718291662075
HF-Ri 1x 14/21/24/39 W TL5 E+	195-240	50-60	30	50,000	A1 BAT	2	8718291696896
HF-Ri 2x 14/21/24/39 W TL5 E+	195-240	50-60	16	50,000	A1 BAT	2	8718291696919
HF-Ri 3x 14/24 W TL5 E+	195-240	50-60	16	50,000	A1 BAT	3	8718291156765
HF-Ri 4x 14/24 W TL5 E+	195-240	50-60	16	50,000	A1 BAT	3	8718291156789
HF-Ri 1x 28-35-49-54 W TL5 E+	195-240	50-60	39	50,000	A1 BAT	1	8718291662051
HF-Ri 2x 28-35-49-54 W TL5 E+	195-240	50-60	18	50,000	A1 BAT	1	8718291662099
HF-Ri 2x 80 W TL5/PL-L E+	220 to 240	50-60	9	50,000	A1	4	8711500910677

Commercial product name	Net Trade Price per Piece (€ net)	National Discount Group	EAN-1
HF-Ri TD 1 14/21/24/39 E+	12 35,00	L3	8718291696896
HF-Ri TD 1 28/35/49/54 TL5 E+ 195-240V	12 31,40	L3	8718291662051
HF-Ri TD 1 35/49/80 TL5 E+ 195-240V	12 38,50	L3	8718291662075
HF-Ri TD 2 14/21/24/39 E+	12 38,50	L3	8718291696919
HF-Ri TD 2 28/35/49/54 TL5 E+ 195-240V	12 33,40	L3	8718291662099
HF-Ri TD 3 14/24 TL5 E+ 195-240V	10 47,60	L3	8718291156765
HF-Ri TD 4 14/24 TL5 E+ 195-240V	10 47,60	L3	8718291156789
HF-Ri TD 280 TL5/PL-L E+ 220-240V	12 49,00	L3	8711500910677



## HF-Regulator II for TL5 lamps



### HF-Regulator II for TL5 lamps – Dimming: a next step in energy saving

High-frequency electronic dimming ballast, using the analog protocol (1-10 V) for TL5 HE/HO and TL5 Eco lamps

The ballast is primarily designed for Indoor application. For outdoor application, the luminaire should be minimum Class bspI andw need to be sufficiently protected against water & dust. The installation should also be guard against any lightning surge or any other necessary electrical protection as deemed in such typical installation & application.

#### Benefits

- The lamp power can be dimmed from 1 to 100% via the Analog control input (in accordance with the 1-10 V industry standard)
- Compliant with European and Asian norms and suitable for emergency lighting systems

- HF operation improves light quality, lamp lifetime
- Combined with controls, additional energy savings can be achieved

#### Features

- Programmed start: flicker-free ignition < 0.5 seconds and striation-free operation, no stroboscopic effects. Preheating the lamp electrodes enables the lamps to be switched on and off without reducing life
- Smart power ensures constant light, independent of mains fluctuations
- Up to 60% reduction in energy consumption by using automatic lighting control systems
- Stop circuit is activated within 5 seconds in the event of lamp failure (safety stop), and ballast resets automatically after lamp replacement

#### Application

- Indoor, general and task lighting applications in combination with lighting control systems (personal control, daylight linking and/or movement detection)

mm	A1 nom.	A2 nom.	B1 nom.	C1 nom.	D1 nom.
1	359	350	39	22	4.2
2	360	350	30	22	4.2
3	359	350	30	22	4.2
4	425	415	30	22	4.2

Type	Input Voltage (V)	Input Frequency (Hz)	Number of Products on MCB (16A Type B)	Life to 90% Survivors (h)	Energy Efficiency Index	mm	EAN-1
HF-R 3x 14 W TL5 EII	220 to 240	50-60	28	50,000	A1 BAT	1	8711500913685
HF-R 4x 14 W TL5 EII	220 to 240	50-60	28	50,000	A1 BAT	1	8711500913647
HF-R 1x 14-35 W TL5 EII	220 to 240	50-60	28	50,000	A1 BAT	2	8711500911803
HF-R 2x 14-35 W TL5 EII	220 to 240	50-60	12	50,000	A1 BAT	2	8711500911780
HF-R 2x 24 W TL5/PL-L EII	220 to 240	50-60	28	50,000	A1 BAT	3	8711500914729
HF-R 3x 24 W TL5/PL-L EII	220 to 240	50-60	12	50,000	A1 BAT	1	8711500913708
HF-R 4x 24 W TL5/PL-L EII	220 to 240	50-60	12	50,000	A1 BAT	1	8711500913746
HF-R 1x 39 W TL5 EII	220 to 240	50-60	28	50,000	A1 BAT	3	8711500914682
HF-R 2x 39 W TL5 EII	220 to 240	50-60	12	50,000	A1 BAT	3	8711500914743
HF-R 1x 49 W TL5 EII	220 to 240	50-60	28	50,000	A1 BAT	2	8711500909985
HF-R 2x 49 W TL5 EII	220 to 240	50-60	12	50,000	A1 BAT	2	8711500910035
HF-R 1x 54 W TL5 EII	220 to 240	50-60	28	50,000	A1 BAT	2	8711500910059
HF-R 2x 54 W TL5 EII	220 to 240	50-60	12	50,000	A1 BAT	2	8711500910080
HF-R 2x 80 W TL5/PL-L EII	220 to 240	50-60	9	50,000	A1 BAT	4	8711500910653

Commercial product name	Net Trade Price per Piece (€ net)	National Discount Group	EAN-1
HF-R 1 14-35 TL5 EII 220-240V 50/60Hz	12 30,80	L3	8711500911803
HF-R 2 14-35 TL5 EII 220-240V 50/60Hz	12 36,00	L3	8711500911780
HF-R 139 TL5 EII 220-240V 50/60Hz	12 30,80	L3	8711500914682
HF-R 149 TL5 EII 220-240V 50/60Hz	12 30,80	L3	8711500909985
HF-R 154 TL5 EII 220-240V 50/60Hz	12 30,80	L3	8711500910059
Z HF-R 224 TL5/PL-L EII 220-240V 50/60Hz	12 36,00	L3	8711500914729
HF-R 239 TL5 EII 220-240V 50/60Hz	12 36,00	L3	8711500914743
HF-R 249 TL5 EII 220-240V 50/60Hz	12 36,00	L3	8711500910035
HF-R 254 TL5 EII 220-240V 50/60Hz	12 36,00	L3	8711500910080
HF-R 280 TL5/PL-L EII 220-240V 50/60Hz	12 46,80	L3	8711500910653
HF-R 314 TL5 EII 220-240V 50/60Hz	10 43,80	L3	8711500913685
HF-R 324 TL5/PL-L EII 220-240V 50/60Hz	10 43,80	L3	8711500913708
HF-R 414 TL5 EII 220-240V 50/60Hz	10 43,80	L3	8711500913647
HF-R 424 TL5/PL-L EII 220-240V 50/60Hz	10 43,80	L3	8711500913746

Z = available until stock lasts

## HF-Regulator II for TL-D lamps



### HF-Regulator II for TL-D lamps – Dimming: a next step in energy saving

High-frequency electronic dimming ballast, using the analog protocol (1 - 10 V) for TL-D lamps

The ballast is primarily designed for Indoor application. For outdoor application, the luminaire should be minimum Class bspI and need to be sufficiently protected against water & dust. The installation should also be guard against any lightning surge or any other necessary electrical protection as deemed in such typical installation & application.

#### Benefits

- The lamp power can be dimmed from 1 to 100% via the Analog control input (in accordance with the 1 - 10 V industry standard)
- Compliant with European and Asian norms and suitable for emergency lighting systems

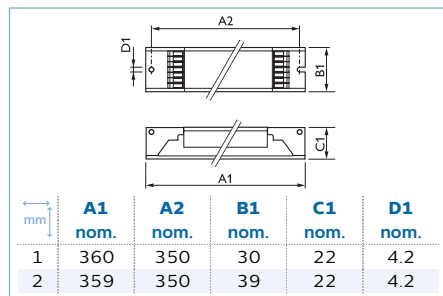
- HF operation improves light quality, lamp lifetime
- Combined with controls, additional energy savings can be achieved

#### Features

- Programmed start: flicker-free ignition < 0.5 seconds and striation-free operation, no stroboscopic effects. Preheating the lamp electrodes enables the lamps to be switched on and off without reducing life
- Smart power ensures constant light, independent of mains fluctuations.
- Up to 60% reduction in energy consumption by using automatic lighting control systems
- Stop circuit is activated within 5 seconds in the event of lamp failure (safety stop), and ballast resets automatically after lamp replacement

#### Application

- Indoor, general and task lighting applications in combination with lighting control systems (personal control, daylight linking and/or movement detection)



Type	Input Voltage (V)	Input Frequency (Hz)	Number of Products on MCB (16A Type B)	Life to 90% Survivors (h)	Energy Efficiency Index	mm	EAN-1
HF-R 1x 18 W TL-D EII	220 to 240	50-60	28	50,000	A1 BAT	1	8711500911902
HF-R 3x 18 W TL-D EII	220 to 240	50-60	28	50,000	A1 BAT	2	8711500913760
HF-R 4x 18 W TL-D EII	220 to 240	50-60	12	50,000	A1 BAT	2	8711500913661
HF-R 1x 36 W TL-D EII	220 to 240	50-60	28	50,000	A1 BAT	1	8711500910134
HF-R 2x 36 W TL-D EII	220 to 240	50-60	12	50,000	A1 BAT	1	8711500910158
HF-R 1x 58 W TL-D EII	220 to 240	50-60	28	50,000	A1 BAT	1	8711500910172
HF-R 2x 58 W TL-D EII	220 to 240	50-60	12	50,000	A1 BAT	1	8711500910196

Commercial product name	Net Trade Price per Piece (€ net)	National Discount Group	EAN-1
Z HF-R 118 TL-D EII 220-240V 50/60Hz	12 33,80	L3	8711500911902
HF-R 136 TL-D EII 220-240V 50/60Hz	12 33,80	L3	8711500910134
HF-R 158 TL-D EII 220-240V 50/60Hz	12 33,80	L3	8711500910172
HF-R 236 TL-D EII 220-240V 50/60Hz	12 38,50	L3	8711500910158
HF-R 258 TL-D EII 220-240V 50/60Hz	12 38,50	L3	8711500910196
HF-R 318 TL-D EII 220-240V 50/60Hz	10 46,80	L3	8711500913760
HF-R 418 TL-D EII 220-240V 50/60Hz	10 46,80	L3	8711500913661

Z = available until stock lasts



## HF-Regulator II for PL-L lamps



### HF-Regulator II for PL-L lamps – Dimming: a next step in energy saving

High-frequency electronic dimming ballast, using the analog protocol (1 - 10 V) for PL-L lamps

The ballast is primarily designed for Indoor application. For outdoor application, the luminaire should be minimum Class bspI and need to be sufficiently protected against water & dust. The installation should also be guard against any lightning surge or any other necessary electrical protection as deemed in such typical installation & application.

#### Benefits

- The lamp power can be dimmed from 1 to 100% via the Analog control input (in accordance with the 1 - 10 V industry standard)
- Compliant with European and Asian norms and suitable for emergency lighting systems

- HF operation improves light quality, lamp lifetime
- Combined with controls, additional energy savings can be achieved

#### Features

- Programmed start: flicker-free ignition < 0.5 seconds and striation-free operation, no stroboscopic effects. Preheating the lamp electrodes enables the lamps to be switched on and off without reducing life
- Smart power ensures constant light, independent of mains fluctuations
- Up to 60% reduction in energy consumption by using automatic lighting control systems
- Stop circuit is activated within 5 seconds in the event of lamp failure (safety stop), and ballast resets automatically after lamp replacement

#### Application

- Indoor, general and task lighting applications in combination with lighting control systems (personal control, daylight linking and/or movement detection)

mm	A1 nom.	A2 nom.	B1 nom.	C1 nom.	D1 nom.
1	359	350	30	22	4.2
2	359	350	39	22	4.2
3	360	350	30	22	4.2
4	425	415	30	22	4.2

Type	Input Voltage (V)	Input Frequency (Hz)	Number of Products on MCB (16A Type B)	Life to 90% Survivors (h)	Energy Efficiency Index	mm	EAN-1
HF-R 2x 24 W TL5/PL-L EII	220 to 240	50-60	28	50,000	A1 BAT	1	8711500914729
HF-R 3x 24 W TL5/PL-L EII	220 to 240	50-60	12	50,000	A1 BAT	2	8711500913708
HF-R 4x 24 W TL5/PL-L EII	220 to 240	50-60	12	50,000	A1 BAT	2	8711500913746
HF-R 1x 80 W TL5/PL-L EII	220 to 240	50-60	12	50,000	A1 BAT	3	8711500910110
HF-R 2x 80 W TL5/PL-L EII	220 to 240	50-60	9	50,000	A1 BAT	4	8711500910653

Commercial product name	Net Trade Price per Piece (€ net)	National Discount Group	EAN-1
HF-R 180 TL5/PL-L EII 220-240V 50/60Hz	12 36,00	L3	8711500910110
Z HF-R 224 TL5/PL-L EII 220-240V 50/60Hz	12 36,00	L3	8711500914729
HF-R 280 TL5/PL-L EII 220-240V 50/60Hz	12 46,80	L3	8711500910653
HF-R 324 TL5/PL-L EII 220-240V 50/60Hz	10 43,80	L3	8711500913708
HF-R 424 TL5/PL-L EII 220-240V 50/60Hz	10 43,80	L3	8711500913746

Z = available until stock lasts



## HF-Regulator II for PL-T/C



### HF-Regulator II for PL-T/C – Dimming: a next step in energy saving

Compact, high-frequency electronic dimming ballast, using the analog protocol (1 - 10 V) for PL-T, PL-C and PL-R lamps

The ballast is primarily designed for Indoor application. For outdoor application, the luminaire should be minimum Class bspI and need to be sufficiently protected against water & dust. The installation should also be guard against any lightning surge or any other necessary electrical protection as deemed in such typical installation & application.

#### Benefits

- The lamp power can be dimmed from 1 to 100% via the Analog control input (in accordance with the 1 - 10 V industry standard)
- Compliant with European and Asian norms and suitable for emergency lighting systems

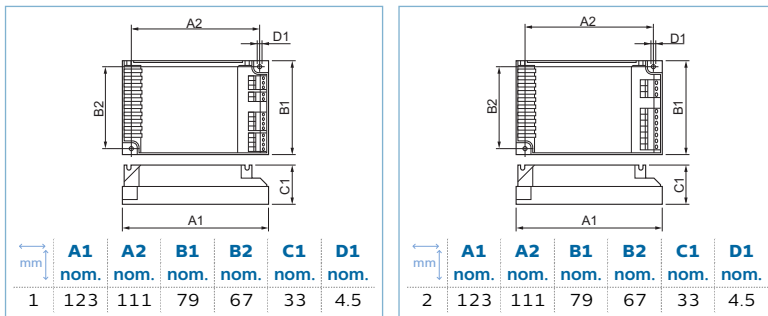
- HF operation improves light quality, lamp lifetime
- Combined with controls, additional energy savings can be achieved

#### Features

- Programmed start: flicker-free ignition < 0.5 seconds and striation-free operation, no stroboscopic effects. Preheating the lamp electrodes enables the lamps to be switched on and off without reducing life
- Smart power ensures constant light, independent of mains fluctuations
- Up to 60% reduction in energy consumption by using automatic lighting control systems
- Stop circuit is activated within 5 seconds in the event of lamp failure (safety stop), and ballast resets automatically after lamp replacement

#### Application

- Indoor, general and task lighting applications in combination with lighting control systems (personal control, daylight linking and/or movement detection)



Type	Input Voltage (V)	Input Frequency (Hz)	Number of Products on MCB (16A Type B)	Life to 90% Survivors (h)	Energy Efficiency Index	mm	EAN-1
HF-R 2x 18 W PL-T/C EII	220 to 240	50-60	28	50,000	A1 BAT	1	8718291176985
HF-R 1x 26-42 W PL-T/C EII	220 to 240	50-60	28	50,000	A1 BAT	2	8711500880765
HF-R 2x 26-42 W PL-T/C EII	220 to 240	50-60	12	50,000	A1 BAT	1	8711500880758

Commercial product name	Net Trade Price per Piece (€ net)	National Discount Group	EAN-1
HF-R 1 26-42 PL-T/C EII 220-240V 50/60Hz	12 33,20	L3	8711500880765
HF-R 2 26-42 PL-T/C EII 220-240V 50/60Hz	12 36,50	L3	8711500880758
HF-R 218 PL-T/C EII 220-240V 50/60Hz	12 36,50	L3	8718291176985



## HF-Performer Intelligent for TL5 HE/HO lamps



### For flexibility in luminaire design and stock-keeping management

HF-Performer Intelligent for Master and ECO TL5 HE/HO, TL-D and PL-L lamps  
 HF-Performer Intelligent features automatic recognition of the connected lamp and is independently able to adjust its operation parameters exactly to the respective lamp. This results in a substantial benefit, especially for T5 lamps, as it means TL5 HE and HO lamps of the same length can be interchanged. With a choice of seven ballasts, the customer is able to handle efficiently every possible combination of Master TL5 and Eco, TL-D, and PL-L lamps.

The ballast is primarily designed for Indoor application. For outdoor application, the luminaire should be minimum Class bspI and need to be sufficiently protected against water & dust. The installation should also be guard against any lightning surge or any other necessary electrical protection as deemed in such typical installation & application.

#### Benefits

- Maximum reliability in system operation, and flexibility for designers, operators and facility managers in terms of stock-keeping management

- Multi-power technology for precise operation of multiple lamp types of various wattages
- Optimized for high maintenance efficiency and reliability: 5-year warranty

#### Features

- Highest CELMA Energy Efficiency Index A2 BAT
- Complies with CE, ENEC, EL, VDE-EMC, CCC marks of conformity
- Average nominal service lifetime over 100,000 hours (at Ta 50 °C) with a failure rate ≤ 0.1% per 1,000 hours
- Optimized lamp preheating for a minimum of 50,000 On/Off switch operations without lamp replacement

#### Application

- Suitable for DC operation and emergency lighting installations; full compliance with requirements for emergency lighting according to EN 61347-3-annex J
- Extended lamp life in frequent-switching applications, e. g. where occupancy sensors or motion detectors are used
- For luminaires of protection Class bspI and protection class II used in office buildings, hospitals, supermarkets, department stores, industrial premises and schools

mm	A1 nom.	A2 nom.	B1 nom.	C1 nom.	D1 nom.
1	360	350	30	22	4.2

mm	A1 nom.	A2 nom.	B1 nom.	C1 nom.	D1 nom.
2	360	350	30	22	4.2
3	425	415	30	22	4.2

mm	A1 nom.	A2 nom.	B1 nom.	C1 nom.	D1 nom.
4	360	350	30	22	4.2

Type	Input Voltage (V)	Input Frequency (Hz)	Number of Products on MCB (16A Type B)	Life to 90% Survivors (h)	Energy Efficiency Index	mm	EAN-1
HF-Pi 1x 14-39 W TL5 EII	220 to 240	50-60	18	50,000	A2	1	8711500914941
HF-Pi 2x 14-39 W TL5 EII	220 to 240	50-60	12	50,000	A2	2	8711500915009
HF-Pi 3/4x 14/24 W TL5/PL-L EII	220 to 240	50-60	12	50,000	A2	4	8711500881960
HF-Pi 1x 28-54 W TL5 EII	220 to 240	50-60	18	50,000	A2	1	8711500914965
HF-Pi 2x 28-54 W TL5 EII	220 to 240	50-60	12	50,000	A2	2	8711500915023
HF-Pi 1x 28/35/49/80 W TL5 EII	220 to 240	50-60	12	50,000	A2	1	8711500881182
HF-Pi 2x 28/35/49/80 W TL5 EII	220 to 240	50-60	8	50,000	A2	3	8711500881199

Commercial product name	Net Trade Price per Piece (€ net)	National Discount Group	EAN-1
HF-Pi 1 14/21/24/39 TL5 EII 220-240V	12 16,60	L3	8711500914941
HF-Pi 1 28/35/49/54 TL5 EII 220-240V	12 18,00	L3	8711500914965
HF-Pi 1 28/35/49/80 TL5 EII	12 18,20	L3	8711500881182
HF-Pi 2 14/21/24/39 TL5 EII 220-240V	12 18,00	L3	8711500915009
HF-Pi 2 28/35/49/54 TL5 EII 220-240V	12 21,30	L3	8711500915023
HF-Pi 2 28/35/49/80 TL5 EII	12 25,34	L3	8711500881199
HF-Pi 3/4 14/24 TL5/PL-L EII 220-240V	12 18,40	L3	8711500881960



## HF-Performer III for TL5 lamps



### Unsurpassed energy-efficient and long-lasting solution

HF-Performer III TL5 ballasts offer maximum versatility and meet all of the necessary commercial grade specifications. They also offer the added benefits of lamp striation reduction technology, making these ballasts compatible with energy-saving TL5 ECO lamps. As such, these ballasts are part of an overall high-efficiency lighting system that may help you or your customers to achieve any international or local energy code you need to comply with.

HF-Performer III TL5 ballasts are the ideal choice for a broad range of new construction and retrofit applications within the commercial sector, including general surface mounting or office lighting, parking garages, warehouses, waterproof and other applications.

The ballast is primarily designed for Indoor application. For outdoor application, the luminaire should be minimum Class bspI and need to be sufficiently protected against water & dust. The installation should also be guard against any lightening surge or any other necessary electrical protection as deemed in such typical installation & application.

#### Benefits

- Exceptional energy efficiency with striation-reduction technology in lighting systems at lower temperatures

- Maximum reliability in system operation
- Multi-power technology for precise operation of multiple lamp types of various wattages

#### Features

- Highest CELMA Energy Efficiency Index A2 BAT
- Complies with CE, ENEC, EL, VDE-EMC, CCC marks of conformity
- Average nominal service lifetime over 100,000 hours (at Ta 50 °C) with a failure rate ≤ 0.1% per 1,000 hours)
- Optimized lamp preheating for over 50,000 On/Off switch operations without replacement of lamps

#### Application

- Suitable for DC operation and emergency lighting installations; full compliance with requirements for emergency lighting according to EN 61347-3 - annex J
- Extended lamp life in frequent-switching applications, e. g. where occupancy sensors or motion detectors are used
- For luminaires of protection Class bspI and protection class II used in office buildings, hospitals, supermarkets, department stores, industrial premises and schools

	A1 nom.	A2 nom.	B1 nom.	C1 nom.	D1 nom.
1	360	350	30	22	4.2
2	360	350	30	21	4.2
3	425	415	30	21	4.2

Type	Input Voltage (V)	Input Frequency (Hz)	Number of Products on MCB (16A Type B)	Life to 90% Survivors (h)	Energy Efficiency Index	mm	EAN-1
HF-P 1x 14- 35 W TL5 HE III	220 to 240	50-60	28	50,000	A2 BAT	1	8711500999245
HF-P 2x 14- 35 W TL5 HE III	220 to 240	50-60	28	50,000	A2 BAT	1	8711500999238
HF-P 1x 24/39 W TL5/PL-L III	220 to 240	50-60	28	50,000	A2 BAT	2	8727900952247
HF-P 2x 24/39 W TL5/PL-L III	220 to 240	50-60	20	50,000	A2 BAT	2	8727900952261
HF-P 1x 49 W TL5 HO III	220 to 240	50-60	28	50,000	A2 BAT	1	8711500881977
HF-P 2x 49 W TL5 HO III	220 to 240	50-60	12	50,000	A2 BAT	1	8711500881984
HF-P 1x 54/55 W TL5/PL-L III	220 to 240	50-60	28	50,000	A2 BAT	1	8711500998217
HF-P 2x 54/55 W TL5/PL-L III	220 to 240	50-60	12	50,000	A2 BAT	1	8711500998224
HF-P 1x 80 W TL5/PL-L III	220 to 240	50-60	20	50,000	A2 BAT	2	8727900952285
HF-P 2x 80 W TL5/PL-L III	220 to 240	50-60	8	50,000	A2 BAT	3	8727900952308

Commercial product name	Net Trade Price per Piece (€ net)	National Discount Group	EAN-1
HF-P 1 14- 35 TL5 HE III 220-240V	12 12,00	L3	8711500999245
HF-P 1 24/39 TL5 III 220-240V 50/60Hz	12 12,60	L3	8727900952247
HF-P 2 14- 35 TL5 HE III 220-240V	12 13,00	L3	8711500999238
HF-P 2 24/39 TL5 III 220-240V 50/60Hz	12 13,80	L3	8727900952261
HF-P 149 TL5 HO III 220-240V 50/60Hz IDC	12 12,60	L3	8711500881977
HF-P 154/155 TL5 HO/PLL III 220-240V IDC	12 12,60	L3	8711500998217
HF-P 180 TL5 III 220-240V 50/60Hz	12 13,40	L3	8727900952285
HF-P 249 TL5 HO III 220-240V 50/60Hz IDC	12 13,80	L3	8711500881984
HF-P 254/255 TL5 HO/PLL III 220-240V IDC	12 13,80	L3	8711500998224
HF-P 280 TL5/PL-L III 220-240V 50/60Hz	12 23,30	L3	8727900952308





## HF-Performer III for TL-D lamps



### Unsurpassed energy-efficient and long-lasting solution

HF-Performer III TL-D III ballasts offer maximum versatility and meet all of the necessary commercial grade specifications. They also offer the added benefits of lamp striation reduction technology, making these ballasts compatible with energy-saving lamps. As such, these ballasts are part of an overall high-efficiency lighting system that may help you or your customers to achieve any international or local energy code you need to comply with. HF-Performer III TL-D III ballasts are the ideal choice for a broad range of new construction and retrofit applications within the commercial sector, including general surface mounting or office lighting, parking garages, warehouses, waterproof and other applications.

The ballast is primarily designed for Indoor application. For outdoor application, the luminaire should be minimum Class bspI and need to be sufficiently protected against water & dust. The installation should also be guard against any lightening surge or any other necessary electrical protection as deemed in such typical installation & application.

#### Benefits

- Exceptional energy efficiency with striation-reduction technology in lighting systems at lower temperatures

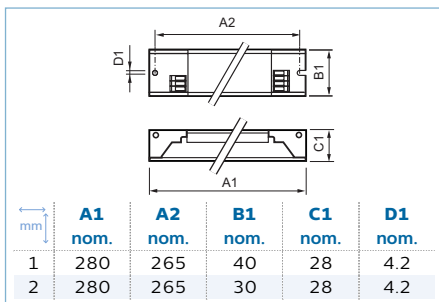
- Maximum reliability in system operation
- Provides extended lamp life in frequent-switching applications

#### Features

- Highest CELMA Energy Efficiency Index A2 BAT
- Complies with CE, ENEC, EL, VDE-EMC, CCC marks of conformity
- Average nominal service lifetime over 100,000 hours (at Ta 50 °C) with a failure rate ≤ 0.1% per 1,000 hours)
- Optimized lamp preheating for over 50,000 On/Off switch operations without replacement of lamps

#### Application

- Suitable for DC operation and emergency lighting installations; full compliance with requirements for emergency lighting according to EN 61347-3 - annex J
- For applications with high switching activity, e. g. where movement-detection control devices are used
- For luminaires of protection Class bspI and protection class II used in office buildings, hospitals, supermarkets, department stores, industrial premises and schools



Type	Input Voltage (V)	Input Frequency (Hz)	Number of Products on MCB (16A Type B)	Life to 90% Survivors (h)	Energy Efficiency Index	mm	EAN-1
HF-P 3/4x 18 W TL-D III	220 to 240	50-60	28	50,000	A2 BAT	1	8711500999627
HF-P 3x 36 W TL-D III	220 to 240	50-60	12	50,000	A2 BAT	1	8711500999689
HF-P 1x 36/18 W TL-D III	220 to 240	50-60	28	50,000	A2 BAT	2	8711500999641
HF-P 2x 36/18 W TL-D III	220 to 240	50-60	28	50,000	A2 BAT	2	8711500999665
HF-P 1x 58 W TL-D/PL-L III	220 to 240	50-60	28	50,000	A2 BAT	2	8711500999702
HF-P 2x 58 W TL-D/PL-L III	220 to 240	50-60	12	50,000	A2 BAT	2	8711500999726

Commercial product name	Net Trade Price per Piece (€ net)	National Discount Group	EAN-1
HF-P 3/418 TL-D III 220-240V 50/60Hz IDC	10 13,80	L3	8711500999627
HF-P 118/136 TL-D III 220-240V 50/60 Hz	12 11,80	L3	8711500999641
HF-P 158 TL-D III 220-240V 50/60Hz IDC	12 11,80	L3	8711500999702
HF-P 218/236 TL-D III 220-240V 50/60 Hz	12 12,40	L3	8711500999665
HF-P 258 TL-D III 220-240V 50/60Hz IDC	12 12,40	L3	8711500999726
HF-P 336 TL-D III 220-240V 50/60Hz IDC	10 13,80	L3	8711500999689



## HF-Performer II Xtreme for TL5/TL-D lamps



### Xtreme drivers for long life and reliable performance

Enhance the quality of applications with robust driver technology HF-Performer Xtreme is a unique X-technology from Philips that guarantees the longest lifetime and highest reliability under the harshest conditions.

The ballast is primarily designed for Indoor application. For outdoor application, the luminaire should be minimum Class bspI and need to be sufficiently protected against water & dust. The installation should also be guard against any lightening surge or any other necessary electrical protection as deemed in such typical installation & application.

#### Benefits

- HF-P Xtreme has a special cooler "Xtreme" for a long lifetime and low failure rate (0.1%/1,000 hours)
- Suitable for use in outdoor and industrial environments thanks to protection against transients; also suitable for Class bspI and class II luminaires

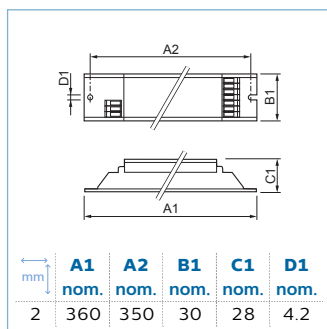
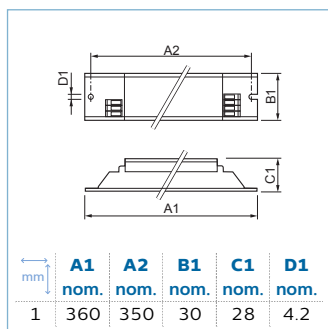
- HF-P Xtreme gear is optimized for the unique dosing of the emitter, resulting in an optimized lamp life with over 100,000 on/off switching operations on one lamp

#### Features

- Protects against transient voltage peaks up to 4,000 V and excessive mains voltage and incorrect connections up to 400 V
- Nominal service life of over 250,000 hours at Ta = 50 °C
- Thermally robust to operate efficiently under the toughest conditions

#### Application

- Ideal for applications with high maintenance costs or where lamp failure is unacceptable
- Can be used with movement - detection control systems like Philips OccuPlus
- Applications where gear replacement can cause unsafe situations, hassle or high costs, such as installations with high ceilings or in geographically remote areas, tunnels, airports or underground railway stations
- Industrial premises such as food - processing and petrochemical plants



Type	Input Voltage (V)	Input Frequency (Hz)	Number of Products on MCB (16A Type B)	Life to 90% Survivors (h)	Energy Efficiency Index	mm	EAN - 1
HF-P Xt 1x 36 W TL-D EII	220 to 240	50-60	28	100,000	A2	1	8711500912008
HF-P Xt 1x 58 W TL-D EII	220 to 240	50-60	28	100,000	A2	1	8711500912046
HF-P Xt 2x 58 W TL-D EII	220 to 240	50-60	12	100,000	A2	2	8711500912060

Commercial product name	Net Trade Price per Piece (€ net)	National Discount Group	EAN - 1
HF-P Xt 136 TL-D EII 220-240V 50/60Hz	12 25,34	L3	8711500912008
HF-P Xt 158 TL-D EII 220-240V 50/60Hz	12 25,34	L3	8711500912046
HF-P Xt 258 TL-D EII 220-240V 50/60Hz	12 31,39	L3	8711500912060



## HF-Selectalume II for TL5 lamps



### Most reliable standard, energy-efficient solution

HF-Selectalume II TL5 is the most cost-effective, reliable and outstanding solution for fluorescent lamps. These ballasts are part of an overall high-efficiency lighting system that may help you or your customers to achieve any international or local energy code you need to comply with. HF-Selectalume II TL5 ballasts are the ideal choice for a broad range of new construction and retrofit applications within the commercial sector, including general surface mounting or office lighting, parking garages, warehouses, waterproof and other applications.

The ballast is primarily designed for Indoor application. For outdoor application, the luminaire should be minimum Class bspI and need to be sufficiently protected against water & dust. The installation should also be guard against any lightning surge or any other necessary electrical protection as deemed in such typical installation & application.

#### Benefits

- Exceptional energy efficiency with striation-reduction technology in lighting systems at lower temperatures

- Maximum reliability in system operation
- Multi-power technology for precise operation of multiple lamp types of various wattages

#### Features

- Highest CELMA Energy Efficiency Index A2 BAT\*
- Complies with CE, ENEC, EL, CCC marks of conformity
- Average nominal service lifetime over 85,000 hours (at Ta 50 °C) with a failure rate ≤ 0.1% per 1,000 hours)
- Optimized lamp preheating for min. 50,000 On/Off switch operations without replacement of lamps

#### Application

- Suitable for DC operation and emergency lighting installations; full compliance with requirements for emergency lighting according to EN 61347-3 - annex J
- Extended lamp life in frequent-switching applications, e. g. where occupancy sensors or motion detectors are used
- For luminaires of protection Class bspI and protection class II used in office buildings, hospitals, supermarkets, department stores, industrial premises and schools

mm	A1 nom.	A2 nom.	B1 nom.	C1 nom.	D1 nom.
1	280	265	39	21.5	4.2
2	280	265	30	21.5	4.2
3	280	265	30	21.0	4.2
4	360	350	30	22.0	4.2

mm	A1 nom.	A2 nom.	B1 nom.	C1 nom.	D1 nom.
5	360	350	30	22	4.2

mm	A1 nom.	A2 nom.	B1 nom.	C1 nom.	D1 nom.
6	280	265	30	21.5	4.1
7	280	265	30	28.0	4.1
8	360	350	30	21.5	4.1

Type	Input Voltage (V)	Input Frequency (Hz)	Number of Products on MCB (16A Type B)	Life to 90% Survivors (h)	Energy Efficiency Index	mm	EAN-1
HF-S 3/4x 14 W TL5 II	220 to 240	50-60	28	50,000	A2/A2 BAT	1	8711500998705
HF-S 2x 14-35 W TL5 HE II	220 to 240	50-60	28	50,000	A2 BAT	5	8718291758440
HF-S 3/4x 24 W TL5 II	220 to 240	50-60	15	50,000	A2 BAT	1	8727900939378
HF-S 1x 24/39 W TL5 II	220 to 240	50-60		50,000	A2/A2 BAT	2	8727900939330
HF-S 2x 24/39 W TL5 II	220 to 240	50-60		50,000	A2 BAT	6	8727900939354
HF-S 1x 49 W TL5 II	220 to 240	50-60		50,000	A2 BAT	3	8711500999351
HF-S 2x 49 W TL5 II	220 to 240	50-60	12	50,000	A2 BAT	6	8711500999368
HF-S 1x 54 W TL5 II	220 to 240	50-60		50,000	A2 BAT	7	8711500999375
HF-S 2x 54 W TL5 II	220 to 240	50-60		50,000	A2 BAT	8	8711500999382
HF-S 1x 80 W TL5/PL-L II	220 to 240	50-60	20	100,000	A2 BAT	4	8718291758464

Commercial product name	Net Trade Price per Piece (€ net)	National Discount Group	EAN-1
HF-S 2 14-35 TL5 HE II 220-240V	12 12.20	L3	8718291758440
HF-S 2 24-39 TL5 II 220-240V 50/60Hz	12 12.40	L3	8727900939354
HF-S 3/414 TL5 II 220-240V 50/60Hz	10 13.00	L3	8711500998705
HF-S 3/424 TL5 II 220-240V 50/60Hz	10 13.00	L3	8727900939378
HF-S 124-39 TL5 II 220-240V 50/60Hz	12 11.10	L3	8727900939330
HF-S 149 TL5 II 220-240V 50/60Hz	12 11.10	L3	8711500999351
HF-S 154 TL5 II 220-240V 50/60Hz	12 11.10	L3	8711500999375
HF-S 180 TL5/PL-L II 220-240V 50/60Hz	12 13.70	L3	8718291758464
HF-S 249 TL5 II 220-240V 50/60Hz	12 12.40	L3	8711500999368
HF-S 254 TL5 II 220-240V 50/60Hz	12 12.40	L3	8711500999382



## HF-Selectalume II for TL-D lamps


**Most reliable standard, energy-efficient solution**

HF-Selectalume II TL-D is the most cost-effective, reliable and outstanding solution for fluorescent lamps. These ballasts are part of an overall high-efficiency lighting system that may help you or your customers to achieve any international or local energy code you need to comply with. HF-Selectalume II TL-D ballasts are the ideal choice for a broad range of new construction and retrofit applications within the commercial sector, including general surface mounting or office lighting, parking garages, warehouses, waterproof and other applications.

The ballast is primarily designed for Indoor application. For outdoor application, the luminaire should be minimum Class bspI and need to be sufficiently protected against water & dust. The installation should also be guard against any lightning surge or any other necessary electrical protection as deemed in such typical installation & application.

**Benefits**

- Exceptional energy efficiency with striation-reduction technology in lighting systems at lower temperatures

- Maximum reliability in system operation
- Provides extended lamp life in frequent-switching applications

**Features**

- Highest CELMA Energy Efficiency Index A2 BAT\*
- Complies with CE, ENEC, EL, VDE-EMC, CCC marks of conformity
- Average nominal service lifetime over 85,000 hours (at Ta 50°C) with a failure rate ≤ 0.1% per 1,000 hours)
- Optimized lamp preheating for min 50,000 On/Off switch operations without replacement of lamps

**Application**

- Suitable for DC operation and emergency lighting installations; full compliance with requirements for emergency lighting according to EN 61347-3 - annex J
- For applications with high switching activity, e. g. where movement-detection control devices are used
- For luminaires of protection Class bspI and protection class II used in office buildings, hospitals, supermarkets, department stores, industrial premises and schools

mm	A1 nom.	A2 nom.	B1 nom.	C1 nom.	D1 nom.
1	280	265	30	28.0	4.2
2	280	265	39	28.0	4.2
3	280	265	39	28.5	4.2
4	280	265	30	28.5	4.2

mm	A1 nom.	A2 nom.	B1 nom.	C1 nom.	D1 nom.
5	280	265	30	28	4.1

Type	Input Voltage (V)	Input Frequency (Hz)	Number of Products on MCB (16A Type B)	Life to 90% Survivors (h)	Energy Efficiency Index	mm	EAN-1
HF-S 2x 18 W TL-D II	220 to 240	50-60		50,000	A2	1	8711500999306
HF-S 3/4x 18 W TL-D II	220 to 240	50-60	28	50,000	A2/A2 BAT	2	8711500999320
HF-S 1x 36 W TL-D II	220 to 240	50-60	28	50,000	A2 BAT	1	8711500999290
HF-S 3x 36 W TL-D II	220 to 240	50-60	12	50,000	A2	3	8711500999092
HF-S 2x 36/18 W TL-D II	220 to 240	50-60	28	50,000	A2 BAT	1	8711500999313
HF-S 1x 58 W TL-D II	220 to 240	50-60	28	50,000	A2 BAT	4	8711500999078
HF-S 2x 58 W TL-D II	220 to 240	50-60	12	50,000	A2 BAT	5	8711500999085

Commercial product name	Net Trade Price per Piece (€ net)	National Discount Group	EAN-1
HF-S 3/4 18 TL-D II 220-240V 50/60Hz	10 12,40	L3	8711500999320
HF-S 118/136 TL-D II 220-240V 50/60Hz	12 10,10	L3	8711500999290
HF-S 158 TL-D II 220-240V 50/60Hz	12 10,10	L3	8711500999078
HF-S 218 TL-D II 220-240V 50/60Hz	12 11,10	L3	8711500999306
HF-S 218/236 TL-D II 220-240V 50/60Hz	12 11,10	L3	8711500999313
HF-S 258 TL-D II 220-240V 50/60Hz	12 11,10	L3	8711500999085
HF-S 336 TL-D II 220-240V 50/60Hz	10 12,40	L3	8711500999092

## HF-Essential II for TL5/TL-D



### HF-Essential II for TL5 and TL-D

Essentially smart and reliable HF-Essential II is the most cost-effective solution for reliably operation of a fluorescent lamp. It is also the ideal entry-level product for electromagnetic system users who want to take advantage of the benefits provided by electronic ballasts. The cost-saving and reliable HF-Essential II is energy efficiency class A2, and its robust design meets all relevant international safety and performance standards. HF-Essential II is the ideal choice for a broad range of new construction and retrofit applications within the commercial sector, including general surface mounting and office lighting, parking garages, warehouses and other applications.

The ballast is primarily designed for Indoor application. For outdoor application, the luminaire should be minimum Class bspI and need to be sufficiently protected against water & dust. The installation should also be guard against any lightning surge or any other necessary electrical protection as deemed in such typical installation & application.

### Benefits

- Average nominal service lifetime over 45,000 hours (at Ta 50°C)
- Optimized lamp preheating for min. 25,000 on/off switch operations without replacement of lamps
- Has CE, KEMA, CCC marks of conformity

### Features

- Multi-power technology for precision operation of multiple lamp types of various wattages
- Mono/Dual function: operation with 1 or 2 lamps
- Maximum reliability in system operation

### Application

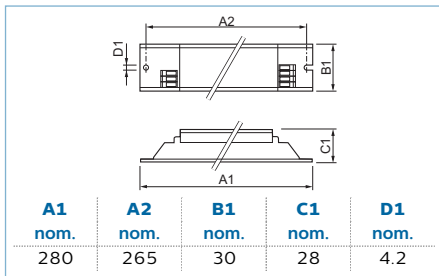
- Suitable for DC operation and emergency lighting installations
- Extended lamp life in frequent-switching applications without replacement of lamps, e. g. where occupancy sensors or motion detectors are used with 15 switches per day
- For luminaires of protection Class bspI and protection class II used in office buildings, hospitals, supermarkets, department stores, and schools

mm	A1	A2	B1	C1	D1
1	280	270	29.3	22.7	1.2
2	280	270	29.3	26	4.2
3	211	198	39.6	26.0	4.2
4	211	198	40.0	28.7	4.2
5	211	198	39.6	28.7	4.2
6	150	138	39.6	28.0	4.2
7	280	270	30.0	22.7	4.2

Type	Input Voltage (V)	Input Frequency (Hz)	Number of Products on MCB (16A Type B)	Life to 90% Survivors (h)	Energy Efficiency Index	mm	EAN-1
HF-E 1x 14 W TL5 II	220 to 240	50-60	80	30,000	A2	1	8718696416976
HF-E 2x 14 W TL5 II	220 to 240	50-60	30	30,000	A2	2	8718696416990
HF-E 3/4x 14 W TL5 II	220 to 240	50-60	28	60,000	A2 BAT	3	8718291770626
HF-E 4x 18 W TL-D II	220 to 240	50-60	16	30,000	A2	5	8718291770602
HF-E 1x 21 W TL5 II	220 to 240	50-60	60	30,000	A2	1	8718696417010
HF-E 2x 36 W TL-D II	220 to 240	50-60	16	30,000	A2	5	8718291770589
HF-E 1/2x 36/18 W TL-D II	220 to 240	50-60	20	30,000	A2	6	8718291770565
HF-E 1/2x 49 W TL5 II	220 to 240	50-60	20	40,000	A2	7	8718291770688
HF-E 1/2x 54/55/58 W TL5 II	220 to 240	50-60	20	40,000	A2	7	8718291770664
HF-E 1/2x 58/55 W TL-D II	220 to 240	50-60	20	40,000	A2	4	8718291770640

Commercial product name	Net Trade Price per Piece (€ net)	National Discount Group	EAN-1
HF-E 1/2 49 TL5 II 220-240V 50/60Hz	50 10,60	L3	8718291770688
HF-E 1/2 54 TL5 II 220-240V 50/60Hz	50 10,60	L3	8718291770664
HF-E 1/2 58 TL-D II 220-240V 50/60Hz	20 10,30	L3	8718291770640
HF-E 3/4 14 TL5 II 220-240V 50/60Hz	20 10,60	L3	8718291770626
HF-E 114 TL5 II 220-240V 50/60Hz	50 8,90	L3	8718696416976
HF-E 121 TL5 II 220-240V 50/60Hz	50 8,90	L3	8718696417010
HF-E 214 TL5 II 220-240V 50/60Hz	50 9,70	L3	8718696416990
HF-E II 136 TL-D 220-240V 50/60Hz	20 7,70	L3	8718291770565
HF-E II 236 TL-D 220-240V 50/60Hz	20 8,50	L3	8718291770589
HF-E II 418 TL-D 220-240V 50/60Hz	20 9,70	L3	8718291770602

## HF-Basic II for TL-D lamps



### Product Description

Affordable, reliable, CE complying, high frequency electronic ballast for TLD fluorescent lamps. Ideal alternative for electromagnetic (EM) ballasts.

#### Benefits

- Savings of 25% energy compared to electromagnetic "C-type" ballasts
- Instant start gives "direct" light
- HF-operation eliminates eye strain as caused by electromagnetic ballasts
- No igniter/capacitor needed, simplified wiring compared to Electromagnetic ballasts
- The HF-B TLD range has a robust design and meets internal safety, EMC and Immunity tests
- Offers the flexibility for simple wiring release possibility
- Including safety approbation via an external test-house covering IEC/EN 61347
- Automatic restart (after voltage dip or lamp exchange) ensures easy operation
- Hassle free re-lamping

### Features

- Energy efficient CELMA EEI = A2
- Complying to CE, VDE-EMC, and ENEC
- 50.000 hour lifetime at 75°C (Tc max) and > 4.000 on/off switches on one lamp
- Active power factor correction, smart power
- Instant start, flicker-free start
- High power factor > 0.96 with THD < 15%
- Required battery voltage for guaranteed ignition 198-254 V
- Required battery voltage for burning lamps 176-254 V
- Nominal light output is obtained at the DC voltage of 220-240 V
- EMC compliant to EN 55015:2006 + A1:2007
- Universal connector WAGO 251

### Application

- Designed for applications where lamps burn for a long period of time and switching cycle (on/off) is infrequent (e. g. maximum 3 times a day)
- Ideal for installations such as department stores, airports, offices
- Suitable for high risk or explosive areas

Type	Input Voltage (V)	Input Frequency (Hz)	Number of Products on MCB (16A Type B)	Life to 90% Survivors (h)	Energy Efficiency Index	EAN-1
HF-B 2x 36 W TL-D EII	220 to 240	50-60	28	50,000	A2	8711500931580
HF-B 2x 58 W TL-D EII	220 to 240	50-60	12	50,000	A2	8711500931603

Commercial product name		Net Trade Price per Piece (€ net)	National Discount Group	EAN-1
HF-B 136/236 TL-D EII 220-240V 50/60Hz	12	12,80	L3	8711500931580
HF-B 158/258 TL-D EII 220-240V 50/60Hz	12	12,80	L3	8711500931603



## HF-Performer III for PL-T/C lamps



### An energy-efficient solution

HF-Performer III PL-T/C is a sustainable, slim and high-frequency electronic ballast for PL-T and PL-C fluorescent lamps. It is ideal for applications where high energy efficiency is required. The HF-Performer III range has a robust design, meets all relevant international safety and performance standards and is energy efficient (CELMA EEI A2).

The ballast is primarily designed for Indoor application. For outdoor application, the luminaire should be minimum Class bspI and need to be sufficiently protected against water & dust. The installation should also be guard against any lightning surge or any other necessary electrical protection as deemed in such typical installation & application.

### Benefits

- Robust design that meets all relevant international safety and performance standards, in combination with good energy efficiency
- Automatic restart (after voltage dip or lamp exchange) ensures easy operation and hassle-free re-lamping.

- Suitable for DC emergency operation, 186 to 275 V (at -10°C) and in line with IEC/EN 60598-22 luminaire norms

### Features

- 50,000-hour lifetime at maximum case temperature, combined with over 60,000 on/off switches on one lamp
- Programmed, flicker-free, pre-heated start (< 2.0 s) which allows the lamp to be switched on and off without reducing useful lamp life
- Active power factor correction to ensure constant light, irrespective of mains-voltage fluctuations
- The unit is protected against excessive mains voltage and incorrect connections.

### Application

- Ideal for commercial indoor lighting applications where it is necessary to reduce the wattage per square meter or operating costs
- Used with movement-detection control systems like Philips OccuPlus
- Mainly for indoor applications such as spotlights, downlights and recessed fixtures used primarily in retail stores, office buildings, supermarkets, hotels and convenience stores
- Industrial premises with long operating hours

A1 nom.	A2 nom.	B1 nom.	B2 nom.	C1 nom.	D1 nom.
103.8	93.5	67.8	57.5	30	4.2

Type	Input Voltage (V)	Input Frequency (Hz)	Number of Products on MCB (16A Type B)	Life to 90% Survivors (h)	Energy Efficiency Index	EAN-1
HF-P 2x 18 W PL-T/C III	220 to 240	50-60	28	50,000	A2 BAT	8711500881038
HF-P 2x 26 W PL-T/C III	220 to 240	50-60	28	50,000	A2/A2 BAT	8711500881052

Commercial product name		Net Trade Price per Piece (€ net)	National Discount Group	EAN-1
HF-P 1/218 PL-T/C III 220-240V	12	12.60	L3	8711500881038
HF-P 1/226 PL-T/C III 220-240V	12	12.60	L3	8711500881052





## HF-Performer III for PL-L lamps

**An energy-efficient solution**

HF-Performer III PL-T/C is a sustainable, slim and high-frequency electronic ballast for PL-L fluorescent lamps. It is ideal for applications where high energy efficiency is required. The HF-Performer III range has a robust design, meets all relevant international safety and performance standards and is energy efficient (CELMA EEI A2 BAT).

The ballast is primarily designed for Indoor application. For outdoor application, the luminaire should be minimum Class bspI and need to be sufficiently protected against water & dust. The installation should also be guard against any lightning surge or any other necessary electrical protection as deemed in such typical installation & application.

**Benefits**

- Robust design that meets all relevant international safety and performance standards, in combination with good energy efficiency
- Automatic restart (after voltage dip or lamp exchange) ensures easy operation and hassle-free re-lamping.
- Suitable for DC emergency operation, 186 to 275 V (at -10°C) and in line with IEC/EN 60598-22 luminaire norms

**Features**

- 50,000-hour lifetime at maximum case temperature, combined with over 60,000 on/off switches on one lamp
- Programmed, flicker-free, pre-heated start (<1.6 s) which allows the lamp to be switched on and off without reducing useful lamp life
- Active power factor correction to ensure constant light, irrespective of mains-voltage fluctuations
- The unit is protected against excessive mains voltage and incorrect connections.

**Application**

- Ideal for commercial indoor lighting applications where it is necessary to reduce the wattage per square meter or operating costs
- Used with movement-detection control systems like Philips OccuPlus
- Mainly for indoor applications, such as spotlights, downlights and recessed fixtures used primarily in retail stores, office buildings, supermarkets, hotels, convenience stores and industrial premises with long operating hours (e. g. corridors)

mm	A1 nom.	A2 nom.	B1 nom.	C1 nom.	D1 nom.
1	360	350	30	22	4.2
2	425	415	30	21	4.2

Type	Input Voltage (V)	Input Frequency (Hz)	Number of Products on MCB (16A Type B)	Life to 90% Survivors (h)	Energy Efficiency Index	mm	EAN-1
HF-P 1x 54/55 W TL5/PL-L III	220 to 240	50-60	28	50,000	A2 BAT	1	8711500998217
HF-P 2x 54/55 W TL5/PL-L III	220 to 240	50-60	12	50,000	A2 BAT	1	8711500998224
HF-P 2x 80 W TL5/PL-L III	220 to 240	50-60	8	50,000	A2 BAT	2	8727900952308

Commercial product name	Net Trade Price per Piece (€ net)	National Discount Group	EAN-1
HF-P 154/155 TL5 HO/PLL III 220-240V IDC	12 12,60	L3	8711500998217
HF-P 254/255 TL5 HO/PLL III 220-240V IDC	12 13,80	L3	8711500998224
HF-P 280 TL5/PL-L III 220-240V 50/60Hz	12 23,30	L3	8727900952308





## HF-Performer II for PL-T/C/R/L/TL5C lamps



### An energy-efficient solution

HF-Performer EII PL-T/C/R/T5c is a sustainable, slim and high-frequency electronic ballast for a wide range of CFL applications. It is ideal for applications where high energy efficiency is required. The HF-Performer EII range has a robust design, meets all relevant international safety and performance standards and is energy-efficient (CELMA EEI A2).

The ballast is primarily designed for Indoor application. For outdoor application, the luminaire should be minimum Class bspI and need to be sufficiently protected against water & dust. The installation should also be guard against any lightning surge or any other necessary electrical protection as deemed in such typical installation & application.

### Benefits

- Robust design that meets all relevant international safety and performance standards and ensures good energy efficiency
- Automatic restart (after voltage dip or lamp exchange) ensures easy operation and hassle-free re-lamping

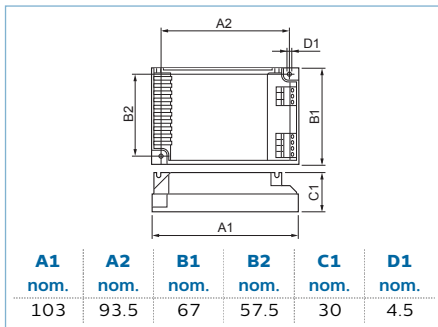
- Suitable for DC emergency operation, 186 to 275 V (at -10 °C) and in line with IEC/EN 60598-22 luminaire norms

### Features

- 50,000-hour lifetime at maximum case temperature, combined with over 60,000 on/off switches on one lamp
- Programmed, flicker-free, pre-heated start (< 1.5 s) which allows the lamp to be switched on and off without reducing useful lamp life
- Active power factor correction to ensure constant light, irrespective of mains-voltage fluctuations
- The unit is protected against excessive mains voltage and incorrect connections.

### Application

- Ideal for commercial indoor lighting applications where it is necessary to reduce the wattage per square meter or operating costs
- Used with movement-detection control systems like Philips OccuPlus
- Mainly for indoor applications such as spotlights, downlights and recessed fixtures used largely in retail stores, office buildings, supermarkets, hotels, convenience stores
- Industrial premises with long operating hours



Type	Input Voltage (V)	Input Frequency (Hz)	Number of Products on MCB (16A Type B)	Life to 90% Survivors (h)	Energy Efficiency Index	EAN-1
HF-P 1x 13-17 W PL-T/C/R EII	220 to 240	50-60	28	50,000	A2	8711500914071
HF-P 2x 13-17 W PL-T/C/R EII	220 to 240	50-60	28	50,000	A2	8711500914095
HF-P 1x 22-42 W PL-T/C/L/TL5C EII	220 to 240	50-60	28	50,000	A2	8711500913975
HF-P 2x 22-42 W PL-T/C/L/TL5C EII	220 to 240	50-60	12	50,000	A2	8711500913999

Commercial product name	Net Trade Price per Piece (€ net)	National Discount Group	EAN-1	
HF-P 1 13-17 PL-T/C/R EII 220-240V	12	14,40	L3	8711500914071
HF-P 1 22-42 PL-T/C/L/TL5C EII 220-240V	12	14,40	L3	8711500913975
HF-P 2 13-17 PL-T/C/R EII 220-240V	12	15,40	L3	8711500914095
HF-P 2 22-42 PL-T/C/L/TL5C EII 220-240V	12	15,40	L3	8711500913999



## HF-Selectalume II for PL-T/C Strain Relief



### Affordable, robust solution

HF-Selectalume II independent version is the most cost-effective, reliable, slim and affordable fluorescent solution, with highly disruptive technology for energy saving, system flexibility and unsurpassed performance. The cost-saving HF-Selectalume II PLTC SR has a robust design which meets all relevant international safety and performance standards. The HF-S II strain relief is optimized mainly for PL-T/C lamps. HF-Selectalume II is intended for use with indoor lighting fixtures such as spotlights, downlights and recessed luminaires, which are largely used in office, retail, industry, hotel, restaurant and other applications.

The ballast is primarily designed for Indoor application. For outdoor application, the luminaire should be minimum Class bspI and need to be sufficiently protected against water & dust. The installation should also be guard against any lightning surge or any other necessary electrical protection as deemed in such typical installation & application.

### Benefits

- The HF-SII 2x18/26 W PL-T/C/T5c range has a robust design and meets internal safety, EMC and temperature protection requirements
- Automatic restart (after voltage dip or lamp replacement) ensures easy operation and hassle-free re-lamping (only for 2-lamp ballasts)

- DC emergency operation in line with IEC/EN 60598-22 luminaire norms (only for 2-lamp ballasts)
- Integrated terminal cover and strain relief

### Features

- Complies with CE and ENEC (only for 2-lamp ballasts)
- Robust design – over 70,000 hours lifetime at Ta = 50 °C and over 50,000 on/off switching operations on one lamp (only for 2-lamp ballasts)
- Energy efficiency class: A2
- Active power factor correction to ensure constant light, irrespective of mains-voltage fluctuations (only for 2-lamp ballasts)

### Application

- Commercial indoor lighting applications such as retail stores, office buildings, supermarkets, hotels, convenience stores and industrial premises with long operating hours (e. g. in corridors)
- In luminaires of protection Class bspI and II such as spotlights, downlights and recessed
- Suitable for operation with movement-detection control systems like Philips OccuSwitch or in applications with frequent-switching activity (on/off) (only for 2-lamp ballasts)

A1	A2	B1	B2	C1	D1
nom.	nom.	nom.	nom.	nom.	nom.
125.5	93.5	67.8	57.5	32	4

Type	Input Voltage	Input Frequency	Number of Products on MCB (16A Type B)	Life to 90% Survivors	Energy Efficiency Index	EAN-1
	(V)	(Hz)		(h)		
HF-S 2x 18 W PL-T/C II SR	220 to 240	50-60	28	50,000	A2 BAT	8718291169635
HF-S 2x 26 W PL-T/C/L/TL5C II SR	220 to 240	50-60	28	50,000	A2 BAT	8718291169598

Commercial product name	Net Trade Price per Piece	National Discount Group	EAN-1	
	(€ net)			
HF-S 1/218 PL-T/C II SR 220-240V 50/60Hz	12	11,60	L3	8718291169635
HF-S 1/226 PL-T/C II SR 220-240V 50/60Hz	12	11,60	L3	8718291169598



## HF - Matchbox Red



### Robust design, compact form

HF - Matchbox Red is an affordable, reliable, compact, lightweight and high-frequency ballast for use with system wattages below 25 W in combination with TL mini, TL-D, TL5 and TL5c, PL-T/C, and PL-L/S lamps. The HF-M Red range has a robust design, meets all relevant international safety and performance standards and has an energy efficiency index (CELMA EEI) of A2.

The ballast is primarily designed for Indoor application. For outdoor application, the luminaire should be minimum Class bspI and need to be sufficiently protected against water & dust. The installation should also be guard against any lightning surge or any other necessary electrical protection as deemed in such typical installation & application.

### Benefits

- Can be operated with movement-detection control systems.

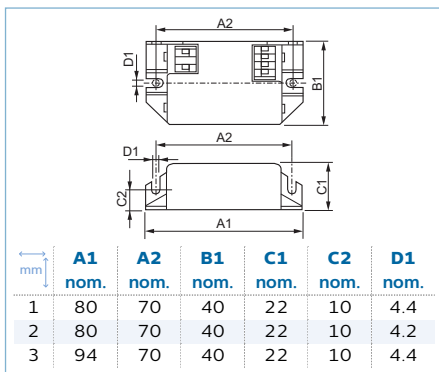
- Automatic restart (after voltage dip or lamp exchange) ensures easy operation and hassle-free re-lamping.
- Suitable for use in class I or class II luminaires

### Features

- Over 60,000 on/off switches on one lamp (depending on lamp/ballast combination)
- Suitable for emergency DC operation between 190 and 254 V
- Programmed, flicker-free, pre-heated start (<0.8 s) which allows the lamp to be switched on and off without reducing useful lamp life

### Application

- Used with movement-detection control systems like Philips OccuPlus
- Mainly for indoor applications such as spot-lights, downlights, light boxes, and emergency and security fixtures used largely in retail stores, office buildings, hotels, private homes and residential buildings
- Domestic applications such as outdoor garden lighting, garage areas, stairways



Type	Input Voltage (V)	Input Frequency (Hz)	Number of Products on MCB (16A Type B)	Life to 90% Survivors (h)	mm	EAN-1
HF-M 1x 9 W SH TL/PL-S	230 to 240	50-60	159	40,000	1	8711500931429
HF-M 1x 14 W SH TL/TL5/PL-C/S	230 to 240	50-60	101	45,000	2	8711500931405
HF-M 1x 18 W SH PL-C/PL-T	230 to 240	50-60	73	40,000	1	8711500928023
HF-M 1x 24 W SH TL/TL5/PL-L	230 to 240	50-60	48	50,000	3	8711500910400

Commercial product name	Net Trade Price per Piece (€ net)	National Discount Group	EAN-1
HF-M RED 109 SH TL/PL-S 230-240V	50	7,50	L3 8711500931429
HF-M RED 114 SH TL/TL5/PL-C/S 230-240V	50	7,50	L3 8711500931405
HF-M RED 118 SH PL-C/PL-T 230-240V	50	7,50	L3 8711500928023
HF-M RED 124 SH TL/TL5/PL-L 230-240V	50	8,50	L3 8711500910400



## HF - Matchbox Blue



### Robust design, compact form

HF - Matchbox Blue is an affordable, reliable, compact, lightweight and high-frequency ballast for use with system wattages below 25 W in combination with TL mini, TL-D, TL5 and TL5c, PL-T/C, and PL-L/S lamps. The HF-M Blue range has a robust design, meets all relevant international safety and performance standards and has an energy efficiency index (CELMA EEI) of A2.

The ballast is primarily designed for Indoor application. For outdoor application, the luminaire should be minimum Class bspI and need to be sufficiently protected against water & dust. The installation should also be guard against any lightning surge or any other necessary electrical protection as deemed in such typical installation & application.

### Benefits

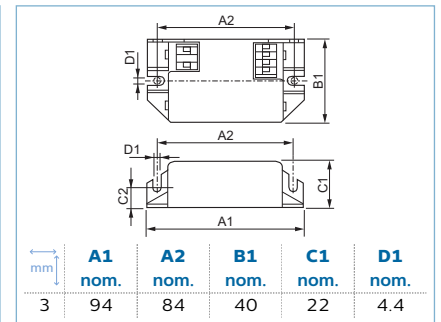
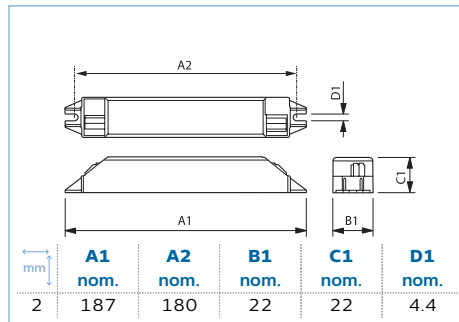
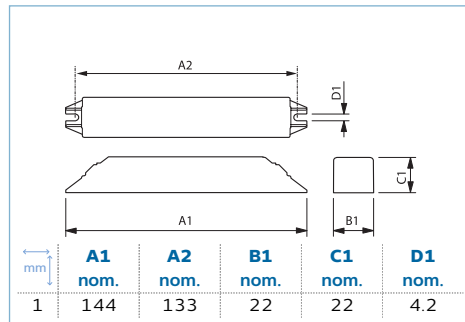
- Automatic restart (after voltage dip or lamp exchange) ensures easy operation and hassle-free re-lamping.
- Suitable for use in class I or class II luminaires

### Features

- Suitable for emergency DC operation between 190 and 254 V
- Programmed, flicker-free, pre-heated start (<0.8 s); over 8,000 on/off switches on one lamp (depending on lamp/ballast combination)
- Automatic restart (after voltage dip or lamp exchange) ensures easy operation and hassle-free re-lamping.

### Application

- Used with movement-detection control systems like Philips OccuPlus in applications where lamps burn for a long period of time and the switching cycle is infrequent (e. g. a maximum of three times per day)
- Mainly for indoor applications such as spot-lights, downlights, light boxes, and emergency and security fixtures used largely in retail stores, office buildings, hotels, private homes and residential buildings
- Domestic applications such as outdoor garden lighting, garage areas, stairways



Type	Input Voltage (V)	Input Frequency (Hz)	Number of Products on MCB (16A Type B)	Life to 90% Survivors (h)	mm	EAN - 1
HF-M 1x 9 W TL/PL-S	230 to 240	50-60	159		1	8711500536808
HF-M 1x 14 W TL/PL-S/PL-C	230 to 240	50-60	101		1	8711500536822
HF-M 1x 21 W TL5	230 to 240	50-60	59		2	8711500536464
HF-M 1x 24 W TL/TL5/PL-L	230 to 240	50-60	60		2	8711500536402
HF-M 1x 24 W TL/TL5/PL-L	230 to 240	50-60	60	25,000	3	8711500536389
HF-M 1x 28 W TL5	230 to 240	50-60			2	8711500932433

Commercial product name	Net Trade Price per Piece (€ net)	National Discount Group	EAN - 1
HF-M BLUE 109 LH TL/PL-S 230-240V	50 7,30	L3	8711500536808
HF-M BLUE 114 LH TL/PL-S/PL-C 230-240V	50 7,30	L3	8711500536822
HF-M BLUE 121 LH TL5 230-240V	50 7,50	L3	8711500536464
HF-M BLUE 124 LH TL/TL5/PL-L 230-240V	50 7,50	L3	8711500536402
HF-M BLUE 124 SH TL/TL5/PL-L 230-240V	50 7,50	L3	8711500536389
HF-M BLUE 128 LH TL5 230-240V	50 7,50	L3	8711500932433

## Primaline Halogen Transformers



### Primaline – A very compact electronic transformer for 12 V halogen lamps

Philips Primaline is a high-frequency electronic halogen transformer suitable for low-voltage 12 V halogen lamps. It offers ultimate performance and is built with overload and short circuit protection to IEC and ENEC standards. It is available in 70, 105 and 150 W versions and fits in small down light halogen applications.

#### Benefits

- Low power losses, resulting in increased energy saving
- Constant light output in the case of under-voltage and a full service life in the case of over-voltage
- ENEC, SELV, CE and EMC-compliant

#### Features

- Very compact and lightweight design; fits in small downlight halogen applications
- Three levels of protection: over-voltage, over-temperature and short circuit
- Long lifetime: 50,000 hours
- Dimming possible with Philips-approved Leading and Trailing Edge dimmers
- Possible to connect two lamps for 70 and 105 W, and three lamps for 150 W

#### Application

- Indoor residential use including living rooms and decorative and accent lighting
- Professional applications including retail, offices, conference rooms and exhibitions

#### Warnings and Safety

- Transformer is not suitable for DC operation

	A1	B1	C1
1	110	45	33
2	145	51	33

Type	Rated Ballast-Lamp Power	Lamp family code	Input Voltage (V)	Input Frequency (Hz)	Life to 90% Survivors (h)	mm	EAN-1
Primaline	35-70 W	LV Halogen	230 to 240	50-60	50,000	1	8711500912664
Primaline	50-105 W	LV Halogen	230 to 240	50-60	50,000	1	8711500912688
Primaline	70-150 W	LV Halogen	230 to 240	50-60	50,000	2	8711500912701

Commercial product name	Net Trade Price per Piece (€ net)	National Discount Group	EAN-1
Primaline 70,230-240V 50/60Hz	14,90	L3	8711500912664
Primaline 105,230-240V 50/60Hz	15,60	L3	8711500912688
Primaline 150,230-240V 50/60Hz	23,70	L3	8711500912701



## Certaline Halogen Transformers



### Certaline - An extremely compact electronic transformer for 12 V halogen lamps

Philips Certaline is an electronic halogen transformer for low-voltage halogen lamps. It is available in 60/105/150 W versions.

#### Benefits

- Suitable for independent operation thanks to robust strain-relief
- VDE, SELV, CE and EMC-compliant

#### Features

- Extremely compact dimensions for the 60 W model

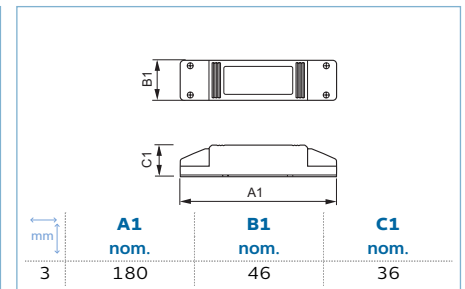
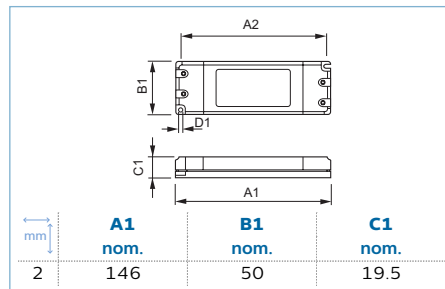
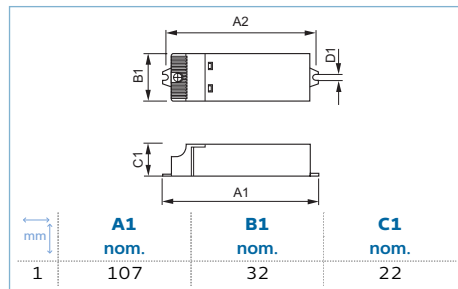
- Three levels of protection: over-voltage, over-temperature and short circuit
- Long lifetime: 20,000 hours
- Dimming possible with Philips-approved Trailing Edge dimmers
- Possible to connect two lamps for 105 W, and three lamps for 150 W

#### Application

- Indoor residential use including living rooms and decorative and accent lighting
- Professional applications including retail, offices, conference rooms and exhibitions

#### Warnings and Safety

- Transformer is not suitable for DC operation



Type	Rated Ballast-Lamp Power	Lamp family code	Input Voltage (V)	Input Frequency (Hz)	Life to 90% Survivors (h)	mm	EAN-1
Certaline	20-60 W	LV Halogen	230 to 240	50-60	20,000	1	8711500913784
Certaline	35-105 W	LV Halogen	230 to 240	50-60	20,000	2	8711500913807
Certaline	50-150 W	LV Halogen	230 to 240	50-60	20,000	3	8711500913852

Commercial product name		Net Trade Price per Piece (€ net)	National Discount Group	EAN-1
Certaline 60W 230-240V 50/60Hz	100	6,90	L3	8711500913784
Certaline 105W 230-240V 50/60Hz	100	8,70	L3	8711500913807
Certaline 150W 230-240V 50/60Hz	50	13,80	L3	8711500913852







Bulb, candle, capsule, lustre and tube ↗



Spot LV and MV ↗



Bulb, candle and lustre ↗



Capsule and Linear ↗

Spot LV

Incandescent Lamps







## LED bulb A60, E27



Philips LED light bulbs provide a cool white light, an exceptionally long life and immediate, significant energy savings. With a pure and elegant design, this bulb is the perfect replacement for your matted traditional bulbs.

## LED Bulb 220-240V

Power (Rated) <sup>±</sup> replaces (W)		Bulb Shape	Correlated Color Temperature (K)	Colour Rendering Index	Luminous Flux (Rated) (lm)	Rated Lifetime (h)		Switching Cycle	EAN - 1
1.7 ± 15	E14	T25	2,700	80	150	15,000	no	50,000	
5 ± 40	E27	A60	4,000	80	470	15,000	no	50,000	8718696577271
5 ± 40	E27	A60	6,500	80	470	15,000	no	50,000	8718696577356
5.5 ± 40	E27	A60	2,700	80	470	15,000	no	50,000	8718696577097
7.5 ± 60	E27	A60	4,000	80	806	15,000	no	50,000	8718696577257
7.5 ± 60	E27	A60S	6,500	80	806	15,000	no	50,000	8718696577332
8 ± 60	E27	A60	2,700	80	806	15,000	no	50,000	8718696577073
10 ± 75	E27	A60	6,500	80	1,055	15,000	no	50,000	8718696510506
10 ± 75	E27	A60M	4,000	80	1,055	15,000	no	50,000	8718696510162
11 ± 75	E27	A60	2,700	80	1,055	15,000	no	50,000	8718696577059
12.5 ± 100	E27	A60	6,500	80	1,521	15,000	no	50,000	8718696577295
12.5 ± 100	E27	A60M	4,000	80	1,521	15,000	no	50,000	8718696577219
13 ± 100	E27	A60	2,700	80	1,521	15,000	no	50,000	8718696577035
18 ± 120	E27	A67	4,000	80	2,000	15,000	no	50,000	8718696701638
18 ± 120	E27	A67	6,500	80	2,000	15,000	no	50,000	8718696701652
18.5 ± 120	E27	A67	2,700	80	2,000	15,000	no	50,000	8718696701614
20 ± 150	E27	A80	4,000	80	2,500	15,000	no	50,000	8718696770313
20 ± 150	E27	A80	6,500	80	2,500	15,000	no	50,000	8718696770337
22.5 ± 150	E27	A80	2,700	80	2,500	15,000	no	50,000	8718696770290

Commercial product name		 <sup>1</sup>	National Lamp Fee <sup>2</sup>	Net Trade Price per Piece (€ net)	National Discount Group	EAN - 1
LED 15W T25 E14 WW FR ND RF 1BC/6	A++	CT VE / 6	fee relevant	3,05	L6	
LED 40W A60 E27 CDL 230V FR ND	A+	CT VE / 6	fee relevant	2,10	L6	8718696577356
LED 40W A60 E27 CW 230V FR ND	A+	CT VE / 6	fee relevant	2,10	L6	8718696577271
LED 40W A60 E27 WW 230V FR ND RF	A+	CT VE / 6	fee relevant	2,10	L6	8718696577097
LED 60W A60 E27 CDL 230V FR ND	A+	CT VE / 6	fee relevant	2,40	L6	8718696577332
LED 60W A60 E27 WW 230V FR ND RF	A+	CT VE / 6	fee relevant	2,40	L6	8718696577073
LED 60W E27 CW A60 FR ND RF	A+	CT VE / 6	fee relevant	2,40	L6	8718696577257
LED 75W A60 E27 CDL 230V FR ND	A+	CT VE / 6	fee relevant	2,90	L6	8718696510506
LED 75W A60 E27 CW 230V FR ND	A+	CT VE / 6	fee relevant	2,90	L6	8718696510162
LED 75W A60 E27 WW 230V FR ND RF	A+	CT VE / 6	fee relevant	2,90	L6	8718696577059
LED 100W A60 E27 CDL 230V FR ND	A+	CT VE / 6	fee relevant	3,60	L6	8718696577295
LED 100W A60 E27 CW 230V FR ND	A+	CT VE / 6	fee relevant	3,60	L6	8718696577219
LED 100W A60 E27 WW 230V FR ND RF	A+	CT VE / 6	fee relevant	3,60	L6	8718696577035
LED Bulb 120W E27 CDL 230V A67 FR	A+	CT VE / 6	fee relevant	5,70	L6	8718696701652
LED Bulb 120W E27 CW 230V A67 FR	A+	CT VE / 6	fee relevant	5,70	L6	8718696701638
LED Bulb 120W E27 WW 230V A67 FR	A+	CT VE / 6	fee relevant	5,70	L6	8718696701614
LED Bulb 150W E27 CDL 230V A80 FR	A+	PF / 6	fee relevant	9,00	L6	8718696770337
LED Bulb 150W E27 CW 230V A80 FR	A+	PF / 6	fee relevant	9,00	L6	8718696770313
LED Bulb 150W E27 WW 230V A80 FR	A+	PF / 6	fee relevant	9,00	L6	8718696770290

<sup>2</sup> Product fee relevant according local regulation

<sup>1</sup> value description(s): 'CT VE / 6' = Viking Entry Blister - Carton box, 'PF / 6' = Box without hangflap - Carton box



## LED candle B35, E14



Philips LED clear candles provide a beautiful, sparkling light effect and an exceptionally long life. Beautiful both switched on and switched off, this light bulb is the perfect match for chandelier fixtures with small (E14) fittings.

## LED candle 220-240V E14

Power (Rated) <sup>±</sup> replaces	Bulb Shape	Correlated Color Temperature	Colour Rendering Index	Luminous Flux (Rated)	Rated Lifetime		Switching Cycle	EAN-1
(W)		(K)		(lm)	(h)			
4 ± 25	B35	2,700	80	250	15,000	no	50,000	8718696454695
4 ± 25	B35	2,700	80	250	15,000	no	50,000	8718696474914
5.5 ± 40	B35	2,700	80	470	15,000	no	50,000	8718696454770
5.5 ± 40	B35	2,700	80	470	15,000	no	50,000	8718696474983
7 ± 60	B38	2,700	80	806	15,000	no	50,000	8718696702871

Commercial product name			National Lamp Fee <sup>2</sup>	Net Trade Price per Piece	National Discount Group	EAN-1
				(€ net)		
LED 25W B35 E14 WW CL ND RF	A+	CT VE / 6	fee relevant	1,80	L6	8718696454695
LED 25W B35 E14 WW FR ND RF	A+	CT VE / 6	fee relevant	1,80	L6	8718696474914
LED 40W B35 E14 WW CL ND RF	A+	CT VE / 6	fee relevant	2,20	L6	8718696454770
LED 40W B35 E14 WW FR ND RF	A+	CT VE / 6	fee relevant	2,20	L6	8718696474983
LED 60W B38 E14 WW FR ND RF	A++	CT VE / 6	fee relevant	3,60	L6	8718696702871

<sup>2</sup> Product fee relevant according local regulation

<sup>1</sup> value description(s): 'CT VE / 6' = Viking Entry Blister - Carton box

## LED candle glass B35, E14



Familiar shapes you know and love. They use around 80% less energy than traditional light bulbs thanks to the latest LED energy-saving technology and last ten times longer.

## LED candle glass 220-240V E14

Power (Rated) <sup>±</sup> replaces	Bulb Shape	Correlated Color Temperature	Colour Rendering Index	Luminous Flux (Rated)	Rated Lifetime		Switching Cycle	EAN-1
(W)		(K)		(lm)	(h)			
2 ± 25	Filament B35	2,700	80	250	15,000	no	20,000	8718696573877
2 ± 25	Filament B35	2,700	80	250	15,000	no	20,000	8718696573853
2 ± 25	Filament BA35	2,700	80	250	15,000	no	20,000	8718696573877
2 ± 25	Filament P45	2,700	80	250	15,000	no	20,000	8718696573914
2 ± 25	Filament ST35	2,700	80	250	15,000	no	20,000	8718696573891
2.2 ± 25	B35	2,700	80	250	15,000	no	20,000	8718696706237
4 ± 40	Filament BA35	2,700	80	470	15,000	no	20,000	8718696587355
4.3 ± 40	B35	2,700	80	470	15,000	no	20,000	8718696706251

Commercial product name			National Lamp Fee <sup>2</sup>	Net Trade Price per Piece	National Discount Group	EAN-1
				(€ net)		
Z LEDClassic 25W BA35 E14 WW CL ND	A++	CT VE / 4	fee relevant	2,70	L6	8718696573877
Z LEDClassic 25W P45 E14 WW CL ND	A++	CT VE / 4	fee relevant	2,70	L6	8718696573914
LED classic 25W B35 E14 WW FR ND RF	A++	CT VE / 6	fee relevant	2,70	L6	8718696706237
LED classic 25W E14 WW B35 CL ND RF	A++	CT VE / 6	fee relevant	2,70	L6	8718696573853
LED classic 25W E14 WW BA35 CL ND RF	A++	CT VE / 6	fee relevant	2,70	L6	8718696573877
LED classic 25W E14 WW ST35 CL ND RF	A++	CT VE / 6	fee relevant	2,70	L6	8718696573891
LED classic 40W B35 E14 WW CL ND RF	A++	CT VE / 6	fee relevant	3,40	L6	8718696587355
LED classic 40W B35 E14 WW FR ND RF	A++	CT VE / 6	fee relevant	3,40	L6	8718696706251

<sup>2</sup> Product fee relevant according local regulation

Z = available until stock lasts

<sup>1</sup> value description(s): 'CT VE / 4' = Viking Entry Blister, 'CT VE / 6' = Viking Entry Blister - Carton box



## LED lustre P45, E14 &amp; E27



Philips LED clear lustres provide a beautiful, sparkling light effect and an exceptionally long life. Beautiful both switched on and switched off, this light bulb is the perfect match for chandelier fixtures with small (E14) fittings.

## LED lustre 220-240V

Power (Rated) ≙ replaces	Bulb Shape	Correlated Color Temperature	Colour Rendering Index	Luminous Flux (Rated)	Rated Lifetime	Switching Cycle	EAN - 1
(W)		(K)		(lm)	(h)		
4 ≙ 25	E14	P45	2,700	80	250	15,000	8718696454718
4 ≙ 25	E14	P45	2,700	80	250	15,000	8718696474945
4 ≙ 25	E27	P45	2,700	80	250	15,000	8718696454756
4 ≙ 25	E27	P45	2,700	80	250	15,000	8718696474969
5.5 ≙ 40	E14	P45	2,700	80	470	15,000	8718696454817
5.5 ≙ 40	E14	P45	2,700	80	470	15,000	8718696475003
5.5 ≙ 40	E27	P45	2,700	80	470	15,000	8718696505762
5.5 ≙ 40	E27	P45	2,700	80	470	15,000	8718696505786
7 ≙ 60	E14	P48	2,700	80	806	15,000	8718696702895
7 ≙ 60	E27	P48	2,700	80	806	15,000	8718696702918

Commercial product name			National Lamp Fee <sup>2</sup>	Net Trade Price per Piece (€ net)	National Discount Group	EAN - 1
LED 25W P45 E14 WW CL ND RF	A+	CT VE / 6	fee relevant	1,80	L6	8718696454718
LED 25W P45 E14 WW FR ND RF	A+	CT VE / 6	fee relevant	1,80	L6	8718696474945
LED 25W P45 E27 WW CL ND RF	A+	CT VE / 6	fee relevant	1,80	L6	8718696454756
LED 25W P45 E27 WW FR ND RF	A+	CT VE / 6	fee relevant	1,80	L6	8718696474969
LED 40W P45 E14 WW CL ND RF	A+	CT VE / 6	fee relevant	2,20	L6	8718696454817
LED 40W P45 E14 WW FR ND RF	A+	CT VE / 6	fee relevant	2,20	L6	8718696475003
LED 40W P45 E27 WW CL ND RF	A+	CT VE / 6	fee relevant	2,20	L6	8718696505762
LED 40W P45 E27 WW FR ND RF	A+	CT VE / 6	fee relevant	2,20	L6	8718696505786
LED 60W P48 E14 WW FR ND RF	A++	CT VE / 6	fee relevant	3,60	L6	8718696702895
LED 60W P48 E27 WW FR ND RF	A++	CT VE / 6	fee relevant	3,60	L6	8718696702918

<sup>2</sup> Product fee relevant according local regulation

<sup>1</sup> value description(s): 'CT VE / 6' = Viking Entry Blister - Carton box

## LED lustre glass P45, E14 &amp; E27





Philips LED clear lustres provide a beautiful, sparkling light effect and an exceptionally long life. Beautiful both switched on and switched off, this light bulb is the perfect match for chandelier fixtures with small (E14) fittings.

## LED lustre glass 220-240V

Power (Rated) ≙ replaces	Bulb Shape	Correlated Color Temperature	Colour Rendering Index	Luminous Flux (Rated)	Rated Lifetime	Switching Cycle	EAN - 1
(W)		(K)		(lm)	(h)		
2 ≙ 25	E14	Filament P45	2,700	80	250	15,000	8718696573914
2 ≙ 25	E27	Filament P45	2,700	80	250	15,000	8718696573938
2.2 ≙ 25	E14	P45	2,700	80	250	15,000	8718696706275
2.2 ≙ 25	E27	P45	2,700	80	250	15,000	8718696706312
4 ≙ 40	E14	Filament P45	2,700	80	470	15,000	8718696587317
4 ≙ 40	E27	Filament P45	2,700	80	470	15,000	8718696587331
4.3 ≙ 40	E14	P45	2,700	80	470	15,000	8718696706299
4.3 ≙ 40	E27	P45	2,700	80	470	15,000	8718696706336



Commercial product name		 <sup>1</sup>	National Lamp Fee <sup>2</sup>	Net Trade Price per Piece (€ net)	National Discount Group	EAN - 1
LED classic 25W E14 WW P45 CL ND RF	A++	CT VE / 6	fee relevant	2,70	L6	8718696573914
LED classic 25W P45 E14 WW FR ND RF	A++	CT VE / 6	fee relevant	2,70	L6	8718696706275
LED classic 25W P45 E27 WW CL ND RF	A++	CT VE / 6	fee relevant	2,70	L6	8718696573938
LED classic 25W P45 E27 WW FR ND RF	A++	CT VE / 6	fee relevant	2,70	L6	8718696706312
LED classic 40W P45 E14 WW CL ND RF	A++	CT VE / 6	fee relevant	3,40	L6	8718696587317
LED classic 40W P45 E14 WW FR ND RF	A++	CT VE / 6	fee relevant	3,40	L6	8718696706299
LED classic 40W P45 E27 WW CL ND RF	A++	CT VE / 6	fee relevant	3,40	L6	8718696587331
LED classic 40W P45 E27 WW FR ND RF	A++	CT VE / 6	fee relevant	3,40	L6	8718696706336

<sup>2</sup> Product fee relevant according local regulation


<sup>1</sup> value description(s): 'CT VE / 6' = Viking Entry Blister - Carton box



## PILA LED bulb A60/A67, E27



Pila LED bulbs give a beautiful warm white light, long lifetime and significant energy savings. This product is an excellent replacement for conventional frosted light bulbs.

### 220-240V E27

Type	Power (Rated) ± replaces (W)	Bulb Shape	Correlated Color Temperature (K)	Colour Rendering Index	Luminous Flux (Rated) (lm)	Rated Lifetime (h)		Switching Cycle	EAN - 1
PILA LED bulb	6 ± 40	A60	2,700	80	470	15,000	no	15,000	8727900964035
PILA LED bulb	6 ± 40	A60	4,000	80	500	15,000	no	15,000	8727900964059
PILA LED	8.5 ± 60	A60	2,700	80	806	15,000	no	15,000	8727900964073
PILA LED	8.5 ± 60	A60	4,000	80	806	15,000	no	15,000	8727900964097
PILA LED	10 ± 75	A60	4,000	80	1,055	15,000	no	15,000	8727900964134
PILA LED	10.5 ± 75	A60	2,700	80	1,055	15,000	no	15,000	8727900964110
PILA LED bulb	10.5 ± 75	A60	2,700	80	1,055	15,000	yes	15,000	8727900964356
PILA LED	10.5 ± 75	A60	2,700	80	1,055	15,000	yes	15,000	8727900964356
PILA LED bulb	14 ± 100	A67	2,700	80	1,521	15,000	no	15,000	8727900963977
PILA LED	14 ± 100	A67	4,000	80	1,521	15,000	no	15,000	8727900964714

Commercial product name		 <sup>1</sup>	National Lamp Fee <sup>2</sup>	Net Trade Price per Piece (€ net)	National Discount Group	EAN - 1
PILA LED 40W A60 E27 CW FR ND	A+	CT Box / 6	fee relevant	1,50	L6	8727900964059
PILA LED 40W A60 E27 WW FR ND	A+	CT Box / 6	fee relevant	1,50	L6	8727900964035
PILA LED 60W A60 E27 CW FR ND G3	A+	CT / 6	fee relevant	1,70	L6	8727900964097
PILA LED 60W A60 E27 WW FR ND G3	A+	CT / 6	fee relevant	1,70	L6	8727900964073
PILA LED 75W A60 E27 CW FR ND G3	A+	CT / 6	fee relevant	2,10	L6	8727900964134
<b>Z</b> PILA LED 75W A60 E27 WW FR DIM	A+	CT Box / 6	fee relevant	4,50	L6	8727900964356
PILA LED 75W A60 E27 WW FR DIM G3	A+	CT / 6	fee relevant	4,50	L6	8727900964356
PILA LED 75W A60 E27 WW FR ND G3	A+	CT / 6	fee relevant	2,10	L6	8727900964110
PILA LED 100W A67 E27 CW FR ND G3	A+	CT / 6	fee relevant	2,80	L6	8727900964714
PILA LED 100W A67 E27 WW FR ND	A+	CT Box / 6	fee relevant	2,80	L6	8727900963977

<sup>2</sup> Product fee relevant according local regulation

★ = First choice

**Z** = available until stock lasts

<sup>1</sup> value description(s): 'CT / 6' = Box without hangflap - Carton box, 'CT Box / 6' = Box without hangflap - Carton box



11



## PILA LED candle B35, E14



LEDcandle is designed for retrofit replacement of incandescent lamps. It is compatible with fixtures with an E14 holder and is an attractive product for chandeliers. LEDlamps deliver huge energy savings and minimize maintenance cost.

## 220-240V E14

Type	Power (Rated) $\triangleq$ replaces (W)	Bulb Shape	Correlated Color Temperature (K)	Colour Rendering Index	Luminous Flux (Rated) (lm)	Rated Lifetime (h)		Switching Cycle	EAN-1
PILA LED candle	3.2 $\triangleq$ 25	B35	2,700	80	250	15,000	no	15,000	8727900964158
PILA LED candle	3.2 $\triangleq$ 25	B35	2,700	80	250	15,000	no	15,000	8727900964172
PILA LED candle	5.5 $\triangleq$ 40	B35	2,700	80	470	15,000	no	15,000	8727900964196
PILA LED	6 $\triangleq$ 40	B35	2,700	80	470	15,000	yes	15,000	8718696549230

Commercial product name			National Lamp Fee <sup>2</sup>	Net Trade Price per Piece (€ net)	National Discount Group	EAN-1
PILA LED 25W B35 E14 WW CL ND	A+	CT Box / 10	fee relevant	1,30	L6	8727900964172
PILA LED 25W B35 E14 WW FR ND	A+	CT Box / 10	fee relevant	1,30	L6	8727900964158
Z PILA LED 40W B35 E14 WW FR DIM	A+	Box / 10	fee relevant	3,70	L6	8718696549230
PILA LED 40W B35 E14 WW FR ND	A+	CT Box / 10	fee relevant	1,70	L6	8727900964196

<sup>2</sup> Product fee relevant according local regulation

Z = available until stock lasts

★ = First choice

<sup>1</sup> value description(s): 'CT Box / 10' = Box without hangflap – Carton box

## PILA LED capsule



LED Capsule for task lighting and decorative applications

## PILA LED 12V

Power (Rated) $\triangleq$ replaces (W)	Bulb Shape	Correlated Color Temperature (K)	Colour Rendering Index	Luminous Flux (Rated) (lm)	Rated Lifetime (h)		Switching Cycle	EAN-1
1 $\triangleq$ 10	G4	2,700	80	90	15,000	no	15,000	8727900964431
1.8 $\triangleq$ 20	G4	2,700	80	200	15,000	no	15,000	8727900964455

Commercial product name						
PILA LED 10W G4 WW 12V ND	A+	CT / 10	National Lamp Fee <sup>1</sup>	Net Trade Price per Piece (€ net)	National Discount Group	EAN-1
PILA LED 20W G4 WW 12V ND	A+	CT / 10	fee relevant	2,78	L6	8727900964455

<sup>1</sup> Product fee relevant according local regulation





## PILA LED lustre P45, E14 & E27



LEDlustre is designed for retrofit replacement of incandescent lamps. It is compatible with fixtures with an E27 or E14 holder. LEDlamps deliver huge energy savings and minimize maintenance cost.

### PILA LED lustre 220-240V

Power (Rated) △ replaces (W)	Bulb Shape	Correlated Color Temperature (K)	Colour Rendering Index	Luminous Flux (Rated) (lm)	Rated Lifetime (h)	Switching Cycle	EAN-1
3.2 △ 25	E14	P45	2,700	80	250	15,000	no 15,000 8727900964752
3.2 △ 25	E14	P45	2,700	80	250	15,000	no 15,000 8727900964233
3.2 △ 25	E27	P45	2,700	80	250	15,000	no 15,000 8727900964417
3.2 △ 25	E27	P45	2,700	80	250	15,000	no 15,000 8727900964257
5.5 △ 40	E14	P45	2,700	80	470	15,000	no 15,000 8727900964271
5.5 △ 40	E27	P45	2,700	80	470	15,000	no 15,000 8727900964295

Commercial product name			National Lamp Fee <sup>2</sup>	Net Trade Price per Piece (€ net)	National Discount Group	EAN-1
PILA LED 25W P45 E14 WW CL ND	A+	CT Box / 10	fee relevant	1,30	L6	8727900964233
PILA LED 25W P45 E14 WW FR ND	A+	CT Box / 10	fee relevant	1,30	L6	8727900964752
PILA LED 25W P45 E27 WW CL ND	A+	CT Box / 10	fee relevant	1,30	L6	8727900964257
PILA LED 25W P45 E27 WW FR ND	A+	CT Box / 10	fee relevant	1,30	L6	8727900964417
PILA LED 40W P45 E14 WW FR ND	A+	CT Box / 10	fee relevant	1,70	L6	8727900964271
PILA LED 40W P45 E27 WW FR ND	A+	CT Box / 10	fee relevant	1,70	L6	8727900964295

<sup>2</sup> Product fee relevant according local regulation

★ = First choice

<sup>1</sup> value description(s): 'CT Box / 10' = Box without hangflap - Carton box

## PILA LED tube



Type	Power (Rated) △ replaces (W)	Voltage (V)	Bulb Shape	Correlated Color Temperature (K)	Colour Rendering Index	Luminous Flux (Rated) (lm)	Rated Lifetime (h)	Switching Cycle	EAN-1
EMP Starter									8718696731314
PILA LED Tube	8 △ 18	220-240	G13	LEDtube	4,000	80	800	25,000	no 50,000 8718696734520
PILA LED Tube	14.5 △ 36	220-240	G13	LEDtube	4,000	80	1,600	25,000	no 50,000 8718696734506
PILA LED Tube	20 △ 58	220-240	G13	LEDtube	4,000	80	2,200	25,000	no 50,000 8718696734582

Commercial product name			National Lamp Fee <sup>2</sup>	Net Trade Price per Piece (€ net)	National Discount Group	EAN-1
EMP Starter for Private label B-Brand	A++	CT / 40	fee relevant	2,70	L6	8718696731314
PILA LED tube 600mm 8W 840 G13	A+	SL / 10	fee relevant	3,20	L6	8718696734520
PILA LED tube 1200mm 16W 840 G13	A+	SL / 10	fee relevant	4,10	L6	8718696734506
PILA LED tube 1500mm 20W 840 G13	A+	SL / 10	fee relevant	5,60	L6	8718696734582

<sup>2</sup> Product fee relevant according local regulation

<sup>1</sup> value description(s): 'CT / 40' = FFP-Carton box, 'SL / 10' = Sleeve -Carton box





## LEDspots LV Affordable



Philips LED spots provide a focused bright beam, a long life, and significant energy savings.

### LED spot LV 12V

Power (Rated) ≙ replaces	Bulb Shape	Correlated Color Temperature	Colour Rendering Index	Luminous Flux (Rated)	Rated Lifetime	Switching Cycle	EAN - 1			
(W)	(°)	(K)		(lm)	(h)					
3 ± 20	MR16	MR16	36	2,700	80	230	15,000	no	50,000	8718696710470
5 ± 35	MR16	MR16	36	2,700	80	345	15,000	no	50,000	8718696710494
5 ± 35	MR16	MR16	36	4,000	80	390	15,000	no	50,000	8718696710531
7.5 ± 50	MR16	MR16	36	2,700	80	621	15,000	no	50,000	8718696710555
8 ± 50	GU5.3	MR16	36	2,700	80	621	15,000	no	50,000	8718696579350
8 ± 50	MR16	MR16	36	4,000	80	630	15,000	no	50,000	8718696710593

Commercial product name		<sup>1</sup>	National Lamp Fee <sup>2</sup>	Net Trade Price per Piece	National Discount Group	EAN - 1
				(€ net)		
LED 20W MR16 WW 36D ND RF	A++	CT VE / 6	fee relevant	3,30	L6	8718696710470
LED 35W MR16 CW 36D ND RF	A+	CT VE / 6	fee relevant	3,60	L6	8718696710531
LED 35W MR16 WW 36D ND RF	A+	CT VE / 6	fee relevant	3,60	L6	8718696710494
Z LED 50W GU5.3 WW 12V MR16 36D ND	A+	CT VE / 4	fee relevant	6,60	L6	8718696579350
LED 50W MR16 CW 36D ND RF	A+	CT VEP / 6	fee relevant	6,60	L6	8718696710593
LED 50W MR16 WW 36D ND RF	A+	CT VE / 6	fee relevant	6,60	L6	8718696710555

<sup>2</sup> Product fee relevant according local regulation

Z = available until stock lasts

<sup>1</sup> value description(s): 'CT VE / 4' = Viking Entry Blister, 'CT VE / 6' = Viking Entry Blister - Carton box, 'CT VEP / 6' = Viking Premium Blister - Carton box

## LEDspots MV Affordable



Philips LED spots provide a focused bright beam, an exceptionally long life, and significant energy savings. This spot is the perfect long-lasting replacement for 65 W spots with a GU10 cap.



### LED spot MV glass 220-240V GU10

Power (Rated) ≙ replaces	Bulb Shape	Correlated Color Temperature	Colour Rendering Index	Luminous Flux (Rated)	Rated Lifetime	Switching Cycle	EAN - 1			
(W)	(°)	(K)		(lm)	(h)					
3.5 ± 35	PAR16	PAR16	36	2,700	80	255	15,000	no	50,000	8718696562666
3.5 ± 35	PAR16	PAR16	36	3,000	80	265	15,000	no	50,000	8718696562680
3.5 ± 35	PAR16	PAR16	36	4,000	80	275	15,000	no	50,000	8718696562703
4.6 ± 50	PAR16	PAR16	36	2,700	80	355	15,000	no	50,000	8718696582572
4.6 ± 50	PAR16	PAR16	36	3,000	80	370	15,000	no	50,000	8718696562727
4.6 ± 50	PAR16	PAR16	36	4,000	80	390	15,000	no	50,000	8718696562741
5 ± 65	PAR16	PAR16	36	3,000	80	460	15,000	no	50,000	8718696733431
5 ± 65	PAR16	PAR16	36	4,000	80	485	15,000	no	50,000	8718696732670
5 ± 65	PAR16	PAR16	36	6,500	80	485	15,000	no	50,000	8718696732694

Commercial product name		<sup>1</sup>	National Lamp Fee <sup>2</sup>	Net Trade Price per Piece	National Discount Group	EAN - 1
				(€ net)		
LED classic 35W GU10 CW 36D ND	A++	CT VE / 6	fee relevant	2,20	L6	8718696562703
LED classic 35W GU10 WH 36D ND RF	A++	CT VE / 6	fee relevant	2,20	L6	8718696562680
LED classic 35W GU10 WW 36D RF ND	A+	CT VE / 6	fee relevant	2,20	L6	8718696562666

More data see next page



Commercial product name		 <sup>1</sup>	National Lamp Fee <sup>2</sup>	Net Trade Price per Piece (€ net)	National Discount Group	EAN - 1
LED classic 50W GU10 CW 36D RF ND	A++	CT VE / 6	fee relevant	2,50	L6	8718696562741
LED classic 50W GU10 WH 36D ND	A+	CT VE / 6	fee relevant	2,50	L6	8718696562727
LED classic 50W GU10 WW 36D ND SRT4	A+	CT VE - SRT / 4	fee relevant	2,50	L6	8718696582572
LED classic 65W GU10 CDL 36D ND	A++	BC / 6	fee relevant	3,60	L6	8718696732694
LED classic 65W GU10 CW 36D ND	A++	BC / 6	fee relevant	3,60	L6	8718696732670
LED classic 65W GU10 WH 36D ND	A++	BC / 6	fee relevant	3,60	L6	8718696733431

<sup>2</sup> Product fee relevant according local regulation



<sup>1</sup> value description(s): 'BC / 6' = Viking Entry Blister, 'CT VE / 6' = Viking Entry Blister - Carton box, 'CT VE - SRT / 4' = Viking Entry Blister - Shelf ready tray



## PILA LED Spots LV



LEDspots are a perfect fit for spot lighting. They are compatible with most existing fixtures with MR16 GU5.3 holders and are designed as a retrofit replacement for halogen or incandescent spots. LEDlamps deliver huge energy savings and minimize maintenance cost.

### 12V GU5.3

Type	Power (Rated) $\triangleq$ replaces (W)	Bulb Shape	 (°)	Correlated Color Temperature (K)	Colour Rendering Index	Luminous Flux (Rated) (lm)	Rated Lifetime (h)		Switching Cycle	EAN - 1
PILA LED	2.8 $\triangleq$ 20	MR16	36	2,700	80	250	15,000	no	15,000	8727900964639
PILA LED Spot LV	4.5 $\triangleq$ 35	MR16	36	2,700	80	380	15,000	no	15,000	8727900964653
PILA LED Spot LV	4.5 $\triangleq$ 35	MR16	36	4,000	80	420	15,000	no	15,000	8727900964837
PILA LED	5	MR16	120	4,000	80	350	15,000	no	15,000	8727900965414
PILA LED Spot LV	8 $\triangleq$ 50	MR16	36	2,700	80	680	15,000	no	15,000	8727900964790
PILA LED Spot LV	8 $\triangleq$ 50	MR16	36	4,000	80	700	15,000	no	15,000	8727900964851

Commercial product name		 <sup>1</sup>	National Lamp Fee <sup>1</sup>	Net Trade Price per Piece (€ net)	National Discount Group	EAN - 1
PILA LED 20W GU5.3 WW 12V 36D ND	A+	CT / 10	fee relevant	2,30	L6	8727900964639
PILA LED 35W GU5.3 CW 12V 36D ND	A+	Box / 1	fee relevant	2,00	L6	8727900964837
PILA LED 35W GU5.3 WW 12V 36D ND	A+	Box / 1	fee relevant	2,00	L6	8727900964653
PILA LED 50W GU5.3 CW 12V 36D ND	A+	Box / 1	fee relevant	4,50	L6	8727900964851
PILA LED 50W GU5.3 WW 12V 36D ND	A+	Box / 1	fee relevant	4,50	L6	8727900964790
PILA LED 350lm GU5.3 CW 12V 120D ND	A+	Box / 10	fee relevant	2,60	L6	8727900965414

<sup>1</sup> Product fee relevant according local regulation



## PILA LED Spots MV



LEDspots are a perfect fit for spot lighting. They are compatible with most existing fixtures with a GU10 holder and are designed as a retrofit replacement for halogen or incandescent spots. LEDlamps deliver huge energy savings and minimize maintenance cost.

### 220-240V GU10

Type	Power (Rated) $\triangleq$ replaces (W)	Bulb Shape	(°)	Correlated Color Temperature (K)	Colour Rendering Index	Luminous Flux (Rated) (lm)	Rated Lifetime (h)		Switching Cycle	EAN - 1
PILA LED	3	GU10	120	4,000	80	230	15,000	no	15,000	8727900965193
PILA LED Spot MV	3 $\triangleq$ 35	GU10	36	2,700	80	250	15,000	no	15,000	8727900964479
PILA LED Spot MV	3 $\triangleq$ 35	GU10	36	4,000	80	280	15,000	no	15,000	8727900964875
PILA LED	4.5	GU10	120	4,000	80	350	15,000	no	15,000	8727900965216
PILA LED Spot MV	4.7 $\triangleq$ 50	GU10	36	2,700	80	380	15,000	no	15,000	8727900964516
PILA LED Spot MV	4.7 $\triangleq$ 50	GU10	36	4,000	80	420	15,000	no	15,000	8727900964899
PILA LED	4.7 $\triangleq$ 50	GU10	36	6,500	80	420	15,000	no	15,000	8727900964530
PILA LED	5	GU10	120	4,000	80	500	15,000	no	15,000	8727900965230
PILA LED	5	GU10	120	6,500	80	500	15,000	no	15,000	8727900965278
PILA LED	5.5	GU10	120	2,700	80	500	15,000	no	15,000	8727900965254
PILA LED Spot MV	5.5 $\triangleq$ 50	R63	60	4,000	80	370	15,000	no	15,000	8718696537015
PILA LED	5.5 $\triangleq$ 65	GU10	36	4,000	80	460	15,000	no	15,000	8727900964615
PILA LED	6 $\triangleq$ 65	GU10	36	2,700	80	460	15,000	no	15,000	8727900964592

Commercial product name		<sup>1</sup>	National Lamp Fee <sup>2</sup>	Net Trade Price per Piece (€ net)	National Discount Group	EAN - 1
PILA LED 35W GU10 CW 36D ND	A++	Box / 1	fee relevant	1,50	L6	8727900964875
PILA LED 35W GU10 WW 36D ND	A++	Box / 1	fee relevant	1,50	L6	8727900964479
PILA LED 50W GU10 CDL 36D ND	A+	Box / 10	fee relevant	1,60	L6	8727900964530
PILA LED 50W GU10 CW 36D ND	A+	Box / 1	fee relevant	1,60	L6	8727900964899
PILA LED 50W GU10 CW 60D ND	A+	Box / 1	fee relevant	1,60	L6	8718696537015
PILA LED 50W GU10 WW 36D ND	A+	Box / 1	fee relevant	1,60	L6	8727900964516
PILA LED 65W GU10 CW 36D ND	A+	CT / 10	fee relevant	2,10	L6	8727900964615
PILA LED 65W GU10 WW 36D ND	A+	CT / 10	fee relevant	2,10	L6	8727900964592
PILA LED 230lm GU10 CW 120D ND	A+	Box / 10	fee relevant	1,50	L6	8727900965193
PILA LED 350lm GU10 CW 120D ND	A+	Box / 10	fee relevant	1,60	L6	8727900965216
PILA LED 500lm GU10 CDL 120D ND	A+	CT / 10	fee relevant	2,10	L6	8727900965278
PILA LED 500lm GU10 CW 120D ND	A+	Box / 10	fee relevant	2,10	L6	8727900965230
PILA LED 500lm GU10 WW 120D ND	A+	CT / 10	fee relevant	2,10	L6	8727900965254

<sup>2</sup> Product fee relevant according local regulation

★ = First choice

<sup>1</sup> value description(s): 'CT / 10' = Box



## PILA LED Spots R50 & R63



PILA LED Spot R50 spots provide directional halogen light in natural, sparkling tones. These halogen lamps are designed to provide focused beams, creating bright accents in your home. All PILA halogen spots are fully dimmable.

### PILA LED Spot 220-240V

Power (Rated) ≙ replaces (W)	Bulb Shape	Bulb Shape	Correlated Color Temperature (K)	Colour Rendering Index	Luminous Flux (Rated) (lm)	Rated Lifetime (h)	Switching Cycle	EAN-1	
2.9 ≙ 40	E14	R50	36	2,700	80	15,000	no	50,000	8727900964912
3.5 ≙ 40	E14	R50	36	2,700	80	260	yes	15,000	8727900964677
5 ≙ 60	E27	R63	36	2,700	80	380	yes	15,000	8718696527092

Commercial product name		National Lamp Fee <sup>1</sup>	Net Trade Price per Piece (€ net)	National Discount Group	EAN-1
PILA LED 40W E14 WW R50 36D DIM	A+ Box / 10	fee relevant	3,30	L6	8727900964677
PILA LED 40W E14 WW R50 36D ND	A+ Box / 1	fee relevant	3,00	L6	8727900964912
PILA LED 60W E27 WW R63 36D DIM	A+ Box / 6	fee relevant	4,29	L6	8718696527092

<sup>1</sup> Product fee relevant according local regulation






## PILA Halogen Classic Bulb A55, E27



PILA Halogen Classic offers you the traditional bulb shape with a sparkling natural dimmable halogen light and double life. This PILA lamp is the ideal combination for all your home lighting needs.

### Halogen Classic Bulb PILA 230V E27

Lamp power (W)	Bulb Shape	Correlated Color Temperature (K)	Colour Rendering Index	Luminous Flux (Rated) (lm)	Rated Lifetime (h)		Switching Cycle	EAN-1
28	A55	2,800	100	370	2,000	yes	8,000	8727900961201
42	A55	2,800	100	630	2,000	yes	8,000	8727900961225
53	A55	2,800	100	850	2,000	yes	8,000	8727900961263
70	A55	2,800	100	1,200	2,000	yes	8,000	8727900961294

Commercial product name			Net Trade Price per Piece (€ net)	National Discount Group	EAN-1
Z Halogen Pila 28W E27 230V A55	D	12x10F	1,07	L5	8727900961201
Z Halogen Pila 42W E27 230V A55	D	12x10F	1,07	L5	8727900961225
Z Halogen Pila 53W E27 230V A55	D	12x10F	1,07	L5	8727900961263
Z Halogen Pila 70W E27 230V A55	D	12x10F	1,07	L5	8727900961294


Z = available until stock lasts



## PILA Halogen Classic Candle B35, E14 & E27



PILA Halogen Classic Candle offers you the traditional bulb shape with a sparkling natural dimmable halogen light and double life. This PILA lamp is the ideal combination for all your home lighting needs.

### Halogen Classic Candle PILA 230V

Lamp power (W)	Bulb Shape	Correlated Color Temperature (K)	Colour Rendering Index	Luminous Flux (Rated) (lm)	Rated Lifetime (h)		Switching Cycle	EAN-1
18	E14	B35	2,800	204	2,000	yes	8,000	8727900963359
28	E14	B35	2,800	370	2,000	yes	8,000	8727900961089
28	E27	B35	2,800	370	2,000	yes	8,000	8727900961904
42	E14	B35	2,800	630	2,000	yes	8,000	8718291209058
42	E27	B35	2,800	630	2,000	yes	8,000	8727900961928

Commercial product name			Net Trade Price per Piece (€ net)	National Discount Group	EAN-1
Z Halogen Pila 18W E14 230V B35 CL	D	5x10F	1,13	L5	8727900963359
Z Halogen Pila 28W E14 230V B35 CL	D	5x10F	1,10	L5	8727900961089
Z Halogen Pila 28W E27 230V B35 CL	D	5x10F	1,13	L5	8727900961904
Z Halogen Pila 42W E14 230V B35 CL	D	5x10F	1,10	L5	8718291209058
Z Halogen Pila 42W E27 230V B35 CL	D	5x10F	1,10	L5	8727900961928

Z = available until stock lasts



## PILA Halogen Classic Lustre P45, E14 & E27



PILA Halogen Classic Lustre offers you the traditional bulb shape with a sparkling natural dimmable halogen light and double life. This PILA lamp is the ideal combination for all your home lighting needs.

### Halogen Classic Lustre PILA 230V

Lamp power (W)	Bulb Shape	Correlated Color Temperature (K)	Colour Rendering Index	Luminous Flux (Rated) (lm)	Rated Lifetime (h)	Switching Cycle	EAN-1
28	E14	P45	2,800	370	2,000	yes 8,000	8727900961164
28	E27	P45	2,800	370	2,000	yes 8,000	8727900961126
42	E14	P45	2,800	630	2,000	yes 8,000	8727900961188
42	E27	P45	2,800	630	2,000	yes 8,000	8727900961140

Commercial product name	Energy Efficiency Class	Net Trade Price per Piece (€ net)	National Discount Group	EAN-1
Z Halogen Pila 28W E14 230V P45 CL	D	1,10	L5	8727900961164
Z Halogen Pila 28W E27 230V P45 CL	D	1,10	L5	8727900961126
Z Halogen Pila 42W E14 230V P45 CL	D	1,10	L5	8727900961188
Z Halogen Pila 42W E27 230V P45 CL	D	1,13	L5	8727900961140

Z = available until stock lasts



## Halogen Capsule, G4 & GY6.35



Low-voltage halogen capsule with superior energy efficiency. Ideal solution for small decorative luminaires. UV-block glass and low-pressure filling allow usage without cover glass. The compact Halogen Capsule gives crisp white light over a long lifetime.

### Halogen Capsule 12V

Lamp power (W)	Bulb Shape	Correlated Color Temperature (K)	Colour Rendering Index	Luminous Flux (Rated) (lm)	Rated Lifetime (h)	Switching Cycle	EAN-1
5	G4	T9	2,700	40	2,000	yes	8711500654731
14	G4		2,800	205	2,000	yes	8727900823585
20	G4	T9	2,800	255	2,000	yes	8711500413925
25	GY6.35		2,800	440	2,000	yes	8727900252972
35	GY6.35		2,800	680	2,000	yes	8727900252989
50	GY6.35	T11	2,900	850	2,000	yes	8711500413949

Commercial product name	Energy label icon	Net Trade Price per Piece (€ net)	National Discount Group	EAN-1
Z Halogen Caps 5W G4 12V CL	C 10	1,29	L4	8711500654731
Z Halogen Caps 14W G4 12V CL	C 10	2,09	L4	8727900823585
Z Halogen Caps 20W G4 12V CL	C 10	1,29	L4	8711500413925
Z Halogen Caps 25W GY6.35 12V CL	C 10	2,09	L4	8727900252972
Z Halogen Caps 35W GY6.35 12V CL	C 10	2,30	L4	8727900252989
Z Halogen Caps 50W GY6.35 12V CL	C 10	1,29	L4	8711500413949

Z = available until stock lasts

## PILA Capsule LV, G4



PILA 12 V Capsule bulbs provide crisp, sparkling halogen light, bringing out the best in your luminaire. All PILA capsules are fully dimmable.

### Capsule 12V G4

Lamp power (W)	Bulb Shape	Correlated Color Temperature (K)	Colour Rendering Index	Luminous Flux (Rated) (lm)	Rated Lifetime (h)	Switching Cycle	EAN-1
20	T9	2,800	100	255	2,000	yes	8710619234100

Commercial product name	Energy label icon	Net Trade Price per Piece (€ net)	National Discount Group	EAN-1
Z CAPFIGHT Pila 20W G4 12V CL	C 10	2,11	L5	8710619234100

Z = available until stock lasts








## PILA Capsule MV, G9



PILA 230 V Capsule bulbs provide crisp, sparkling halogen light, bringing out the best in your luminaire. All PILA capsules are fully dimmable.

### EcoHalo MV Capsule PILA 230V G9




Lamp power	Bulb Shape	Correlated Color Temperature	Colour Rendering Index	Luminous Flux (Rated)	Rated Lifetime		Switching Cycle	EAN - 1
(W)		(K)		(lm)	(h)			
28	T13	2,800	100	370	2,000	yes	8,000	8727900963250
Commercial product name				Net Trade Price per Piece	National Discount Group		EAN - 1	
EcoHalo MV Caps Pila 28W G9 230V		D	10	(€ net) 4,39	L5		8727900963250	

## Halogen Linear R7S



Philips linear halogen emits a clear, bright halogen light. They allow creative use of light and shadow effect and obtain intriguing decorative effects. Dimmable.

### Halogen Linear 230V R7S

Lamp power	Bulb Shape	Correlated Color Temperature	Colour Rendering Index	Luminous Flux (Rated)	Rated Lifetime		Switching Cycle	EAN - 1
(W)		(K)		(lm)	(h)			
80	T11	2,900	100	1,415	2,000	yes	8,000	8727900920949
400	T11	2,900	100	8,600	2,000	yes	8,000	8727900922318
Commercial product name				Net Trade Price per Piece	National Discount Group		EAN - 1	
Halogen 78MM 2Y 80W R7S 230V		D	10	(€ net) 4,15	L4		8727900920949	
Halogen 118MM 2Y 400W R7S 230V		D	10	(€ net) 4,15	L4		8727900922318	



## Halogen Dichroic, GU4 &amp; GU5.3



Philips halogen spot provide directional halogen light in natural, sparkling tones. This halogen lamp is designed to provide focused beams, creating bright accents in your home. It is fully dimmable.

## Halogen Dichroic 230V

Lamp power (W)	Bulb Shape	Correlated Color Temperature (K)	Colour Rendering Index	Luminous Flux (Rated) (lm)	Rated Lifetime (h)	Switching Cycle	EAN-1	
20	GU4	MR16	3,000	100	205	4,000	yes 8,000	8718696588680
20	GU5.3	MR16	3,000	100	205	4,000	yes 16,000	8718696588703
35	GU4	MR16	3,000	100	430	4,000	yes 8,000	8718696588741
35	GU5.3	MR16	3,000	100	430	4,000	yes 16,000	8718696588765
50	GU5.3	MR16	3,000	100	680	4,000	yes 16,000	8718696588789

Commercial product name	Net Trade Price per Piece (€ net)	National Discount Group	EAN-1
Hal-Dich 4y 20W GU4 12V 30D	B 10 2,03	L4	8718696588680
Hal-Dich 4y 20W GU5.3 12V 36D	B 10 2,03	L4	8718696588703
Hal-Dich 4y 35W GU4 12V 30D	B 10 2,03	L4	8718696588741
Hal-Dich 4y 35W GU5.3 12V 36D	B 10 2,03	L4	8718696588765
Hal-Dich 4y 50W GU5.3 12V 36D	B 10 2,03	L4	8718696588789






## GLS A60 , 24V



Clear lamp (A -bulb) for 24 V operation.

### GLS 24V E27

Lamp power (W)	Bulb Shape	Correlated Color Temperature (K)	Colour Rendering Index	Luminous Flux (Rated) (lm)	Rated Lifetime (h)	 Switching Cycle	EAN - 1
60	A60	2,700	100	970	1,000	yes 1,000	8727900017922
Commercial product name		 	Net Trade Price per Piece (€ net)		National Discount Group		EAN - 1
A60 60W 24V E27 CL		D 100	1,40		L5		8727900017922

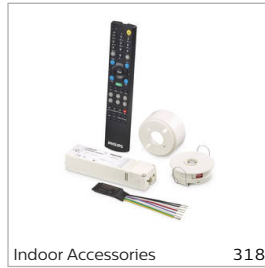




Installer Based Smart Sensors ↗



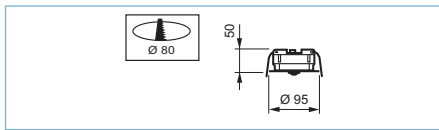
Indoor Accessories



Color Kinetics Controls



## OccuSwitch



### OccuSwitch – a smart move

The OccuSwitch is a movement detector with a built-in switch. It will switch the lights off in a room or area when it is vacated and thus save up to 30% on electricity. The OccuSwitch can switch any load of up to 6 A and control an area of between 20 and 25 m. A detachable mains connector enables easy installation and mounting of the OccuSwitch in the ceiling

#### Benefits


- Energy savings of up to 30% and good pay-back
- Works with almost all lamp- and luminaire types
- Easy to install, enables even faster installation by optional Wieland connectors.

#### Features

- OccuSwitch has a smart timer that will extend the delay time by 10 minutes if movement is detected shortly after switch-off, assuming that the area is still in use but there is very little movement
- The OccuSwitch has a retractable shield that can be used to shield off areas, e. g. corridors, adjacent to the area the OccuSwitch is controlling

#### Application

- Offices, schools (incl. board lighting)
- Similar applications, including toilets, storage rooms, etcetera
- Designed for recessed ceiling mounting
- Surface mounting optional with surface box, possible to install with recessed wiring or a surface-mounted duct
- Optimized for ceiling heights of between 2.5 and 4 meters

Commercial product name		Net Trade Price per Piece (€ net)	National Discount Group	Material Nr. (12NC)	EAN-1
LRM1070/0 SENSR MOV DET ST	42	65,00	L3	913700327803	8711559731384
LRM1080/0 SENSR MOV DET ST IR	42	62,00	L3	913700327903	8711559731407

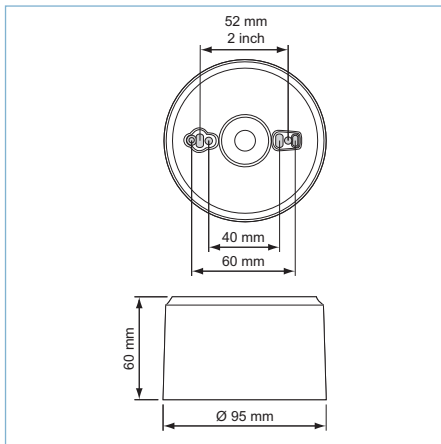


## OccuSwitch DALI



### OccuSwitch DALI – a simple solution for demanding installations

The OccuSwitch DALI is a combined sensor and controller and will dim and switch the lights in a room or area upon occupancy and according to the available daylight, with options for local override, parallel operation and network links to Building Management Systems (BMS). OccuSwitch DALI is designed for an office area of between 20 and 25 m, but the area can be expanded two or three times by adding the extension sensor LRM8118. Up to 15 luminaires can be controlled. OccuSwitch Dali is easy to install and requires limited commissioning, if any.



#### Benefits


- Average energy savings of up to 55% and good pay-back
- Adds comfort with local control
- Easy to use (works right out of the box) but also easy to adapt to specific applications or user demands

#### Features

- Advanced occupancy control and daylight regulation with separate window and corridor algorithms
- Retractable shield that can be used to shield off areas, e. g. corridors, adjacent to the area the OccuSwitch DALI is controlling
- Push-button interface for the use of standard wired switches
- Energy indicator shows relative energy usage
- BMS version interacts with almost any building management system via the DALI interface
- With optional extension sensor(s) (LRM8118) and push-button interface(s) (LCU2070)

#### Application

- Offices, schools (incl. board lighting)
- Similar applications, including small meeting rooms, lobbies and corridors
- Designed for recessed ceiling mounting
- Surface mounting optional with surface box, possible to install with recessed wiring or a surface-mounted duct
- Optimized for ceiling heights of between 2.5 and 4 meters

Commercial product name		Net Trade Price per Piece (€ net)	National Discount Group	Material Nr. (12NC)	EAN-1
LCU2070/0 PBU	50	25,40	L3	913700335103	8727900870268
LRH2070/0 SURFACE BOX	42	14,00	L3	913700333903	8711559732527
LRM2070/30 BASIC	42	93,00	L3	913700332904	8711559732305
LRM2080/30 ADVANCED	42	110,00	L3	913700333004	8711559732343
LRM2090/40 BMS	42	126,00	L3	913700333103	8711559732367





## OccuSwitch Wireless



### OccuSwitch Wireless – switching on savings in existing installations

The OccuSwitch Wireless family consists of wireless sensors and an actuator (relay-box). Savings of up to 30% can be achieved by simply turning off the lights in unoccupied areas. Battery-operated, with a typical lifetime of 8-10 years. The actuator can switch any load up to 6 A and can be located in the ceiling or corridor. Designed to control an area of 20-25 m but the area can be expanded to 160 m by adding extra sensors. Up to 10 sensors and/or actuators can be combined in one parallel network. The maximum distance between the sensor and actuator is 10 meters (depending on the application). A detachable mains wiring connector enables easy installation. Separate Wieland and CEE cables are available for even easier, faster and trouble-free installation. With the extended scope of OccuSwitch Wireless functionality (increased number of sensors and interoperable with wireless ActiLume range), all wireless devices should be from the same version (LRM/LRA/LLC XXXX/10 or higher).

#### Benefits

- Energy savings of up to 30%. Additional savings can be obtained in combination with ActiLume Wireless.

- Offers an easy-to-apply solution, especially for existing non-electronic (EM) lighting systems.

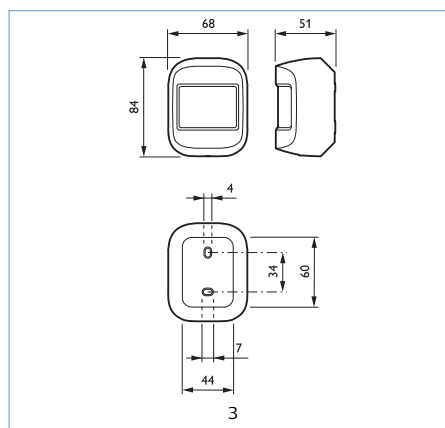
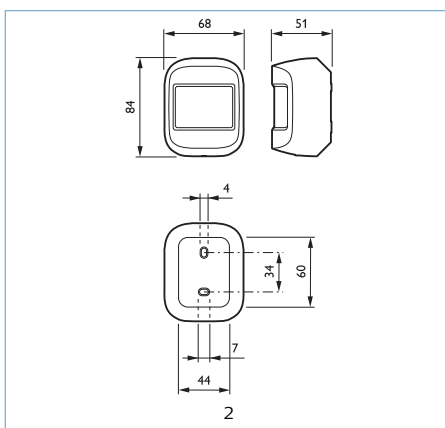
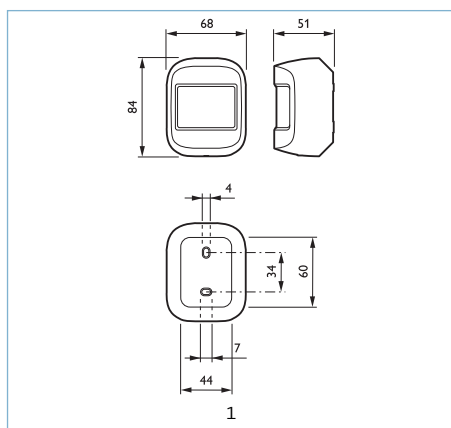
- Wireless sensor can be mounted in various places and offers maximum flexibility. The actuator is designed for any wiring system.



#### Features

- Smart timer extends the delay time by 5% if movement is detected shortly after switch-off, assuming that the area is still in use but there is very little movement.
- The ceiling sensor has a retractable shield that can be used to shield off areas, e.g. corridors adjacent to the area in which OccuSwitch Wireless is operating.
- There is considerable freedom in terms of where to mount the OccuSwitch Wireless actuator to minimize installation cost and time.

#### Application

- Open-plan offices, schools (incl. board lighting)
- Similar applications, including restrooms, corridors, storage and copy rooms, break areas, etcetera
- Optimized for ceiling heights of between 2.5 and 4 meters
- Installation height for corridor, corner and wall sensors between 2.1 and 2.5 meters



Commercial product name		Net Trade Price per Piece (€ net)	National Discount Group	 mm	Material Nr. (12NC)	EAN-1
LRM1765/10 OS Wireless Corridor sensor	20	87,00	L3	1	913700352003	8718291250654
LRM1770/10 OS Wireless Corner sensor	20	76,20	L3	2	913700351603	8718291250616
LRM1775/10 OS Wireless Wall sensor	20	76,20	L3	3	913700351803	8718291250630



## Indoor Accessories



### Accessories – completing your system

Indoor lighting control accessories cover all the user interfaces, sensors, cables, dimmers and other accessories that can be used with our control systems or stand-alone with our lighting systems.

#### Benefits

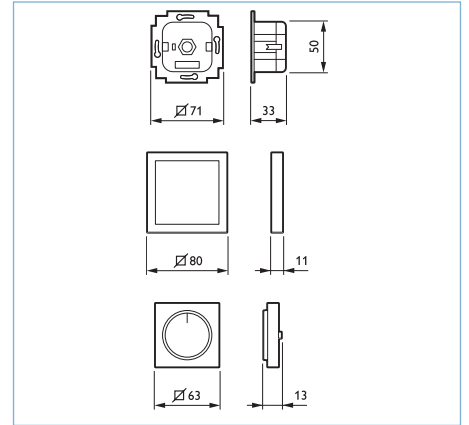
- Indoor accessories offer the possibility to extend our indoor lighting control systems.


#### Features

- The performance and capabilities of the products vary according to the system they are connected to.

#### Application

- Indoor accessories are designed for indoor lighting control systems



Commercial product name		Net Trade Price per Piece (€ net)	National Discount Group	Material Nr. (12NC)	EAN - 1
UID8600/0 1-10V Dimmer	50	52,00	L3	913700355603	8718291675556
UID8620/0 DALI Dimmer	50	198,00	L3	913700355703	8718291675600



## Vaya Touch Controller



### Vaya Touch Controller – cost-effective DMX controller

Vaya Touch is a stand-alone DMX512 controller designed for use with LED lighting fixtures. With Vaya Touch you can select from six pre-set colors, select the color of your choice, or select from six dynamic sequences (Programs). In addition, there are six brightness presets for each color or program, and six speed levels for the program's color-changing light shows. The toggle wheel lets you seamlessly select a custom color or brightness. The custom color can be stored in one of the six memory presets. Vaya Touch is mounted in single-gang (US) wall boxes.

#### Benefits


- Cost-effective DMX controller
- Versatile
- Easy to use

#### Features

- Touch interface
- Stand-alone
- 6x programs, colors, speed levels and brightness levels
- Adjust and store your favorite color
- Choice of white or black faceplate

#### Application

- In any application using Vaya Color products

Commercial product name		Net Trade Price per Piece (€ net)	National Discount Group	Material Nr. (12NC)	EAN-1
VAYACT LRC2012 VAYA TOUCH BK	30	167,00	P2	910503702739	8718291377771
VAYACT LRC2012 VAYA TOUCH WH	30	167,00	P2	910503702738	8718291377764





Recessed ↗



Suspended



Surface mounted ↗



Wall mounted ↗



Downlights ↗



Projectors ↗



High-bay

Basic Light-line system

Battens ↗





Waterproof and cleanroom ↻



## Ledinaire Recessed RC060B



### Ledinaire Recessed – Simply great LED

The Ledinaire range contains a selection of popular off-the-shelf LED luminaires that comes with the high Philips quality levels at a competitive price. Reliable, energy efficient and affordable – just what you need.

#### Benefits

- Philips quality and reliability

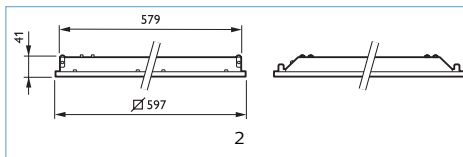
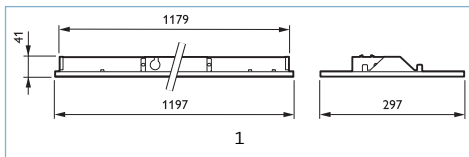
- Energy saving
- Diffuse comfortable light



#### Features

- Multiple dimensions available
- Recessed and surface mounted versions
- Modern, unobtrusive design

#### Application

- Offices (not screen work)
- Classrooms (not screen work)
- Corridors and circulation areas



Commercial product name		Net Trade Price per Piece (€ net)	National Discount Group	 mm	Material Nr. (12NC)	EAN-1
RC060B LED32S/830 PSU W30L120	1	45,50	P7	1	910503910205	8718696069615
RC060B LED32S/830 PSU W60L60	1	40,20	P7	2	910503910202	8718696069592
RC060B LED32S/840 PSU W30L120	1	45,50	P7	1	910503910204	8718696069608
RC060B LED32S/840 PSU W60L60	1	40,20	P7	2	910503910201	8718696069585

★ = First choice



## Ledinaire Panel RC065B



### Ledinaire Panel - Simply great LED

The Ledinaire range contains a selection of popular off-the-shelf LED luminaires that comes with the high Philips quality levels at a competitive price. Reliable, energy efficient and affordable – just what you need.

#### Benefits

- Philips quality and reliability

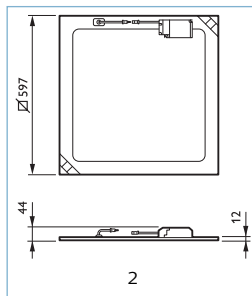
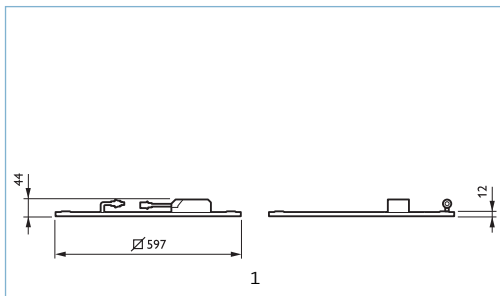
- Energy saving
- Diffuse comfortable light



#### Features

- Accessoires for plaster, surface mounted and suspension available
- Modern, unobtrusive design

#### Application

- General lighting



Commercial product name		Net Trade Price per Piece (€ net)	National Discount Group	 mm	Material Nr. (12NC)	EAN-1
RC065B LED32S/840 PSU W60L60 NOC	4	36,00	P7	1	910503910199	8718696073285
<b>N</b> RC065B LED34S/840 PSU W60L60 OC	4	50,00	P7	2	912401483175	8718699386474

★ = First choice

**N** = New

## PlainView, recessed



### Simple and flexible solution to design modern light lines in professional and retail spaces

Light line solutions are always in fashion, therefore we know that delivering innovation in this field is crucial. PlainView is a modern looking, neat luminaire offering comfortable, good quality lighting and can also work as a design element. The luminaires offer high quality specifications and flexibility with different options for lumen packages. Thanks to these features and benefits, PlainView delivers ideal lighting in the non-working areas of professional spaces such as offices, educational institutes, and also the welcoming areas and entrances of retail spaces.

#### Benefits

- Clean and uniform light

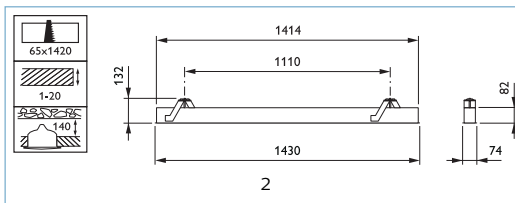
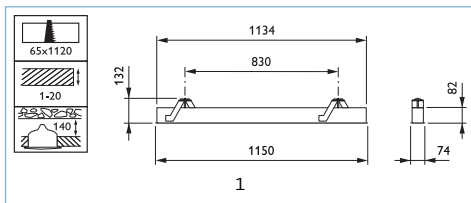
- Multiple application use
- Easy to install and maintain
- Long lasting, reliable luminaire

#### Features

- Homogeneous exit window
- Can create standalone and continuous lines of light and offers recessed and suspended variants
- Same modules are used for standalone and continuous light lines providing flexibility and making installation easier
- Delivers Philips quality

#### Application

- Office – circulation and common areas
- Education – circulation and common areas
- Retail – general lighting in stores
- Healthcare – circulation and common areas



Commercial product name		Net Trade Price per Piece (€ net)	National Discount Group		Material Nr. (12NC)	EAN-1
RC140B LED38S/840 PSD PCV PI5 L1150	4	151,20	P3	1	912401483009	8718699380236
RC140B LED38S/840 PSU PCV PI3 L1150	4	128,00	P3	1	912401483010	8718699380243
RC140B LED48S/840 PSD PCV PI5 L1430	4	169,80	P3	2	912401483013	8718699380274
RC140B LED48S/840 PSU PCV PI3 L1430	4	146,60	P3	2	912401483014	8718699380281

## CoreLine Recessed



### CoreLine Recessed – the clear choice for LED

Whether for a new building or renovation of an existing space, customers want lighting solutions that provide quality of light and substantial energy and maintenance savings. The new CoreLine Recessed range of LED products can be used to replace functional luminaires in general lighting applications. The process of selecting, installing and maintaining is so easy – it's a simple switch. InterAct Ready luminaire with integrated wireless communications to be used with InterAct gateways, sensors and software.

#### Benefits

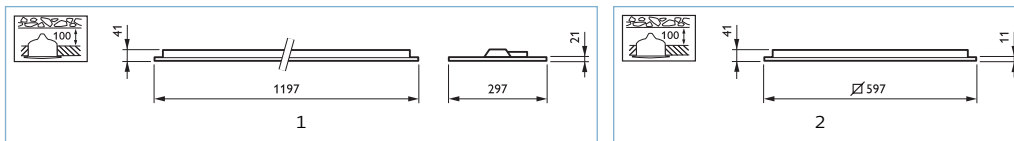
- Enables a simple switch from basic conventional luminaires to LED luminaires
- Energy savings of up to 45% compared to functional TL-D luminaires
- Slim design with a height of less than 35 mm


#### Features

- Integrated LED technology
- Slim housing
- Surface-mounted version also available (also suitable for suspension)

#### Application

- General lighting



Commercial product name		Net Trade Price per Piece (€ net)	National Discount Group	mm	Material Nr. (12NC)	EAN - 1
RC134B LED27S/830 PSD W30L120 NOC	1	117,00	P2	1	910925864761	8718699348038
RC134B LED27S/830 PSD W30L120 OC	1	129,00	P2	1	910925864774	8718699348168
RC134B LED27S/830 PSD W60L60 NOC	1	116,00	P2	2	910925864759	8718699348014
RC134B LED27S/830 PSD W60L60 OC	1	128,00	P2	2	910925864772	8718699348144
RC134B LED27S/830 PSU W30L120 NOC	1	95,00	P2	1	910925864755	8718699347970
RC134B LED27S/830 PSU W60L60 NOC	1	95,00	P2	2	910925864753	8718699347956
RC134B LED27S/840 PSD W30L120 NOC	1	116,00	P2	1	910925864784	8718699348267
RC134B LED27S/840 PSD W30L120 OC	1	128,00	P2	1	910925864770	8718699348120
RC134B LED27S/840 PSD W60L60 NOC	1	116,00	P2	2	910925864783	8718699348250
RC134B LED27S/840 PSD W60L60 OC	1	128,00	P2	2	910925864768	8718699348106
RC134B LED27S/840 PSU W30L120 NOC	1	95,00	P2	1	910925864782	8718699348243
RC134B LED27S/840 PSU W60L60 NOC	1	95,00	P2	2	910925864781	8718699348236
RC134B LED37S/830 PSD W30L120 NOC	1	117,00	P2	1	910925864760	8718699348021
RC134B LED37S/830 PSD W30L120 OC	1	128,00	P2	1	910925864773	8718699348151
RC134B LED37S/830 PSD W60L60 NOC	1	117,00	P2	2	910925864758	8718699348007
RC134B LED37S/830 PSD W60L60 OC	1	128,00	P2	2	910925864771	8718699348137
RC134B LED37S/830 PSU W30L120 NOC	1	95,00	P2	1	910925864754	8718699347963
RC134B LED37S/830 PSU W30L120 OC	1	114,00	P2	1	910925864790	8718699348328
RC134B LED37S/830 PSU W60L60 NOC	1	95,00	P2	2	910925864752	8718699347949
RC134B LED37S/830 PSU W60L60 OC	1	114,00	P2	2	910925864789	8718699348311
RC134B LED37S/840 PSD W30L120 NOC	1	117,00	P2	1	910925864757	8718699347994
RC134B LED37S/840 PSD W30L120 OC	1	128,00	P2	1	910925864769	8718699348113
RC134B LED37S/840 PSD W60L60 NOC	1	117,00	P2	2	910925864756	8718699347987
RC134B LED37S/840 PSD W60L60 OC	1	128,00	P2	2	910925864762	8718699348045
RC134B LED37S/840 PSU W30L120 NOC	1	95,00	P2	1	910925864776	8718699348182
RC134B LED37S/840 PSU W30L120 OC	1	114,00	P2	1	910925864788	8718699348304
RC134B LED37S/840 PSU W60L60 NOC	1	95,00	P2	2	910925864775	8718699348175
RC134B LED37S/840 PSU W60L60 OC	1	114,00	P2	2	910925864787	8718699348298

## CoreLine Panel



### CoreLine Panel – the clear choice for LED

Whether for a new building or renovation of an existing space, customers want lighting solutions that provide quality of light and substantial energy and maintenance savings. The new CoreLine Panel range of LED products can be used to replace functional luminaires in general lighting applications. Both Non-Office Compliant (NOC) version and Office Compliant version (OC) are now available. The process of selecting, installing and maintaining is so easy – it's a simple switch.

#### Benefits

- Enables a simple switch from basic conventional luminaires to LED luminaires
- Energy savings of up to 50% compared to functional TL-D luminaires

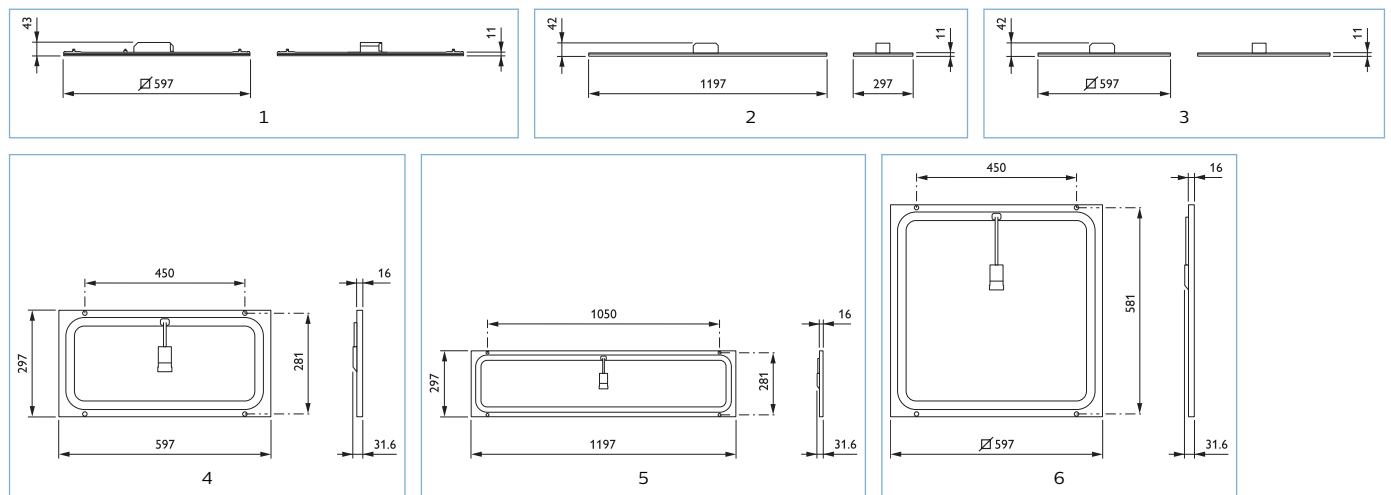
- Uniform surface of light
- Easy connection (with looping)



#### Features

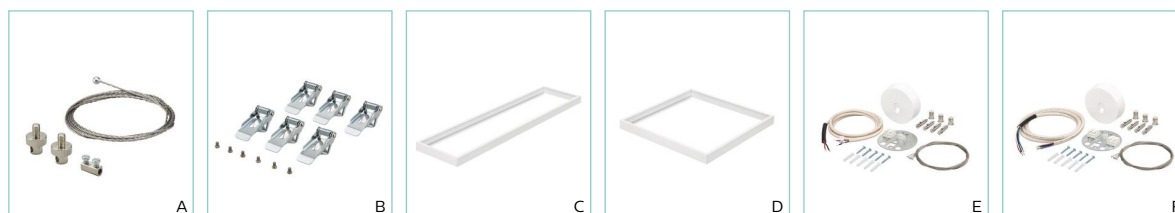
- Integrated LED technology
- Slim housing made from aluminum
- Choice of two color temperatures: 3,000 and 4,000 K
- Non-Office Compliant (NOC) version and Office Compliant version (OC) available
- Suspension and plaster-ceiling installations are possible with accessories
- Optional emergency lighting

#### Application

- Offices
- Retail
- Healthcare



Commercial product name		Net Trade Price per Piece (€ net)	National Discount Group	 mm	Material Nr. (12NC)	EAN - 1
RC125B LED34S/830 PSU W60L60 NOC	1	67,00	P2	1	910503910256	8718696070321
RC125B LED36S/840 PSU W60L60 NOC	1	67,00	P2	1	910503910255	8718696070314
RC127V LED34S/830 PSD W30L120 OC	1	141,00	P2	2	910503910326	8718696070956
RC127V LED34S/830 PSU W60L60 OC	1	132,00	P2	3	910503910324	8718696070932
RC127V LED34S/830 PSU W30L120 OC	1	107,00	P2	2	910503910322	8718696070918
RC127V LED34S/830 PSU W60L60 OC	1	97,00	P2	3	910503910320	8718696070895
RC127V LED36S/840 PSD W30L120 OC	1	141,00	P2	2	910503910325	8718696070949
RC127V LED36S/840 PSD W60L60 OC	1	132,00	P2	3	910503910323	8718696070925
RC127V LED36S/840 PSU W30L120 OC	1	107,00	P2	2	910503910321	8718696070901
RC127V LED36S/840 PSU W60L60 OC	1	98,00	P2	3	910503910319	8718696070888
RC132V LED18S/840 PSU W30L60 NOC	1	48,80	P2	4	910503910308	8718699380960
RC132V LED34S/830 PSU W30L120 OC	1	107,00	P2	5	910503910315	8718699381035
RC132V LED34S/830 PSU W60L60 OC	1	98,00	P2	6	910503910311	8718699380991
RC132V LED36S/840 PSU W30L120 NOC	1	81,00	P2	5	910503910309	8718699380977
RC132V LED36S/840 PSU W30L120 OC	1	107,00	P2	5	910503910314	8718699381028
RC132V LED36S/840 PSU W60L60 NOC	1	66,70	P2	6	910503910307	8718699380953
RC132V LED36S/840 PSU W60L60 OC	1	98,00	P2	6	910503910310	8718699380984



Commercial product name	Type description	CE mark	Photo letter	Numerator - Packs per outer box	Material Nr. (12NC)	Net Trade Price per Piece (£)	National Discount Group
RC125Z SC		CE mark	A	40	910930031518	2,60	P7
RC125Z SMB-PLC		CE mark	B	10	910930031318	2,70	P7
RC125Z SMB W30L120	Width 300 mm, length 1,200 mm	CE mark	C	10	910930031218	18,70	P7
RC125Z SMB W60L60		CE mark	D	10	910930031018	18,70	P7
RC125Z SME-2 WH		CE mark		20	910930031418	29,10	P7
RC127Z SME-2 WH		CE mark	E	1	910503910138	31,00	P2
RC127Z SME-4 WH		CE mark	F	1	910503910139	31,00	P2
RC132Z SC					912401483178	2,60	P2
RC132Z SMB W30L60					912401483181	14,30	P2
RC132Z SME-3 WH					912401483179	29,80	P2
RC132Z SME-4 WH					912401483180	29,80	P2



## TBS165



### TBS165 – affordable and efficient

Designed to address the need for energy-efficient basic lighting, the TBS165 luminaire makes it possible to save energy by replacing outdated electromagnetic installations with Philips TL5 technology. Featuring innovative dedicated TL5 optics, a choice of ballasts, sensors (presence detection, daylight regulation) and emergency lighting, the TBS165 range can be used for general lighting in a wide variety of applications, including offices, corridors, schools and shops (supermarkets, DIY). Combining high-frequency gear, sensors and MASTER TL5 lamps, it allows substantial energy savings. The low-height recessed luminaire fits in exposed ceilings. Conveniently, it does not have to be opened, as it has pre-installed lamps and can be connected from the

outside.

#### Benefits

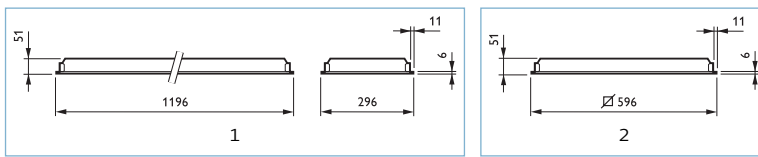
- Substantial energy savings compared to TL-D solutions with electromagnetic ballasts
- TL5 luminaire with dedicated TL5 optics; highly innovative compared to TL-D
- Easy to install in low-height ceilings as the luminaire measures only 51 mm in height

#### Features

- Dedicated TL5 luminaire
- High-gloss as well as matt optics
- Compliant with office lighting norm

#### Application

- Offices
- Schools
- Shops (supermarkets, DIY stores)



Commercial product name		National Lamp Fee <sup>1</sup>	Net Trade Price per Piece (€ net)	National Discount Group	mm	Material Nr. (12NC)	EAN-1
TBS165 G 2xTL5 - 28W/830 HFS C6 PIP SC	1	fee relevant	61,30	P1	1	910503653318	8717943888177
TBS165 G 2xTL5 - 28W/840 HFS C3 PIP SC	1	fee relevant	50,80	P1	1	910503652918	8717943888139
TBS165 G 2xTL5 - 28W/840 HFS C6 PIP SC	1	fee relevant	61,30	P1	1	910503653018	8717943888146
TBS165 G 3xTL5 - 14W/840 HFS C6 PIP SC	1	fee relevant	58,80	P1	2	910503652418	8717943888085
TBS165 G 4xTL5 - 14W/830 HFS C3 PIP SC	1	fee relevant	46,20	P1	2	910503652018	8717943888047
TBS165 G 4xTL5 - 14W/830 HFS C6 PIP SC	1	fee relevant	55,40	P1	2	910503652118	8717943888054
TBS165 G 4xTL5 - 14W/840 HF C3 PIP	1	fee relevant	45,70	P1	2	910503910008	8718696066232
TBS165 G 4xTL5 - 14W/840 HF C3 PIP SC FR	1	fee relevant	45,70	P1	2	910503678918	8717943894192
TBS165 G 4xTL5 - 14W/840 HF C6 PIP	1	fee relevant	48,50	P1	2	910503910009	8718696066249
TBS165 G 4xTL5 - 14W/840 HFS C3 PIP SC	1	fee relevant	43,40	P1	2	910503651718	8717943888016
TBS165 G 4xTL5 - 14W/840 HFS C6 PIP SC	1	fee relevant	55,40	P1	2	910503651818	8717943888023

<sup>1</sup> Product fee relevant according local regulation

## PlainView, suspended



### Simple and flexible solution to design modern light lines in professional and retail spaces

Light line solutions are always in fashion. therefore we know that delivering innovation in this field is crucial. PlainView is a modern looking, neat luminaire offering comfortable, good quality lighting and can also work as a design element. The luminaires offer high quality specifications and flexibility with different options for lumen packages. Thanks to these features and benefits, PlainView delivers ideal lighting in the non-working areas of professional spaces such as offices, educational institutes, and also the welcoming areas and entrances of retail spaces.

#### Benefits

- Clean and uniform light

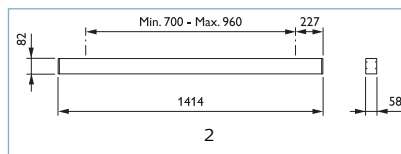
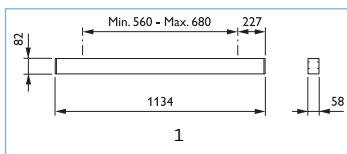
- Multiple application use
- Easy to install and maintain
- Long lasting, reliable luminaire



#### Features

- Homogeneous exit window
- Can create standalone and continuous lines of light and offers recessed and suspended variants
- Same modules are used for standalone and continuous light lines providing flexibility and making installation easier
- Delivers Philips quality

#### Application

- Office – circulation and common areas
- Education – circulation and common areas
- Retail – general lighting in stores
- Healthcare – circulation and common areas



Commercial product name		Net Trade Price per Piece (€ net)	National Discount Group		Material Nr. (12NC)	EAN - 1
SP140P LED38S/840 PSD PI5 SM2 L1135	6	155,08	P3	1	912401483007	8718699380212
SP140P LED38S/840 PSU PI3 SM2 L1135	6	130,66	P3	1	912401483008	8718699380229
SP140P LED48S/840 PSD PI5 SM2 L1415	6	174,50	P3	2	912401483011	8718699380250
SP140P LED48S/840 PSU PI3 SM2 L1415	6	151,20	P3	2	912401483012	8718699380267





## FastSet, Surface Mounted



### One solution fitting different interior spaces.

Upgrading to LED is a key trend in office applications. Recognizing the need for an easy to use luminaire that can work as the perfect 1:1 replacement of conventional office lighting, we developed FastSet. This luminaire is an ideal choice to quickly achieve the benefits of LED lighting since being the perfect 1:1 replacement, no additional lighting calculation is needed prior to the LED lighting installation. The luminaire simply fits into all different indoor applications. Moreover, it is available in both standalone and through-wiring versions, which makes the luminaires ready-to-connect at a later stage.

### Benefits

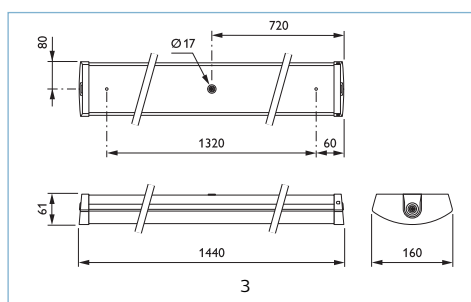
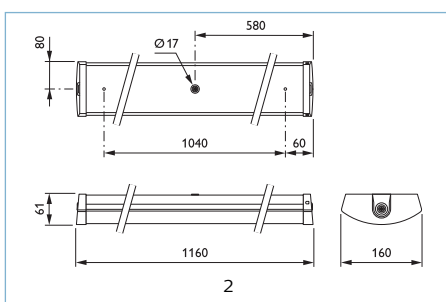
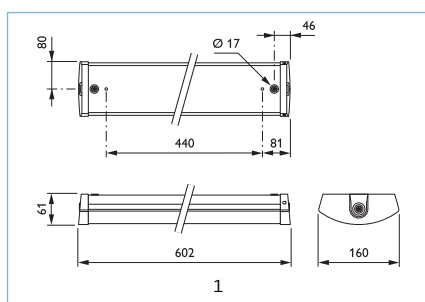
- Universal range, one luminaire appropriate for all types of installation 1:1 replacement for conventional luminaires Fast installation and high reliability

### Features

- One luminaire suitable for standalone installation and for connected luminaires via through-wiring option Luminaire can be used as standalone application but also in a line of luminaires by simply adding luminaires No lighting calculation needed when replacing conventional luminaire with FastSet IP44-rated Philips branded luminaire

### Application

- Office buildings Educational spaces Garages, interior parking spaces



### Commercial product name



Net Trade Price  
per Piece  
(€ net)

National Discount  
Group

mm

Material Nr. (12NC)

EAN-1

Commercial product name	Net Trade Price per Piece (€ net)	National Discount Group	mm	Material Nr. (12NC)	EAN-1
<b>N</b> SM150C LED24S/830 PSU TW3 PI5 L602	6 70,00	P2	1	912401483056	8718699381240
<b>N</b> SM150C LED24S/840 PSU TW3 PI5 L602	6 70,00	P2	1	912401483055	8718699381233
<b>N</b> SM150C LED48S/830 PSU TW3 PI5 L1160	4 112,00	P2	2	912401483058	8718699381264
<b>N</b> SM150C LED48S/840 PSU TW3 PI5 L1160	4 112,00	P2	2	912401483057	8718699381257
<b>N</b> SM150C LED60S/830 PSU TW3 PI5 L1440	4 123,00	P2	3	912401483060	8718699381288
<b>N</b> SM150C LED60S/840 PSU TW3 PI5 L1440	4 123,00	P2	3	912401483059	8718699381271

**N** = New

## Ledinaire Surface-mounted SM060C



### Ledinaire Surface-mounted – Simply great LED

The Ledinaire range contains a selection of popular off-the-shelf LED luminaires that comes with the high Philips quality levels at a competitive price. Reliable, energy efficient and affordable – just what you need.

#### Benefits

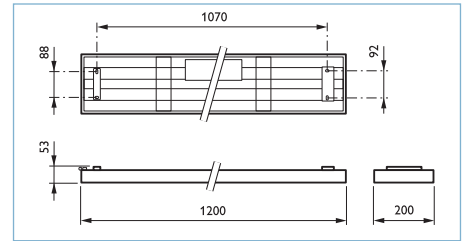
- Philips quality and reliability
- Energy saving
- Diffuse comfortable light


#### Features

- Recessed and surface mounted versions
- Modern, unobtrusive design

#### Application

- Offices (not screen work)
- Classrooms (not screen work)
- Corridors and circulation areas



Commercial product name		Net Trade Price per Piece (€ net)	National Discount Group	Material Nr. (12NC)	EAN-1
SM060C LED32S/830 PSU W20L120	1	59,30	P7	910503910207	8718696069639
SM060C LED32S/840 PSU W20L120	1	59,30	P7	910503910206	8718696069622

★ = First choice



## CoreLine Surface-mounted



### CoreLine Surface-mounted – the clear choice for LED

Whether for a new building or renovation of an existing space, customers want lighting solutions that provide quality of light and substantial energy and maintenance savings. The new CoreLine Surface-mounted range of LED products can be used to replace functional luminaires in general lighting applications. The process of selecting, installing and maintaining is so easy – it's a simple switch. InterAct Ready luminaire with integrated wireless communications to be used with InterAct gateways, sensors and software.

#### Benefits

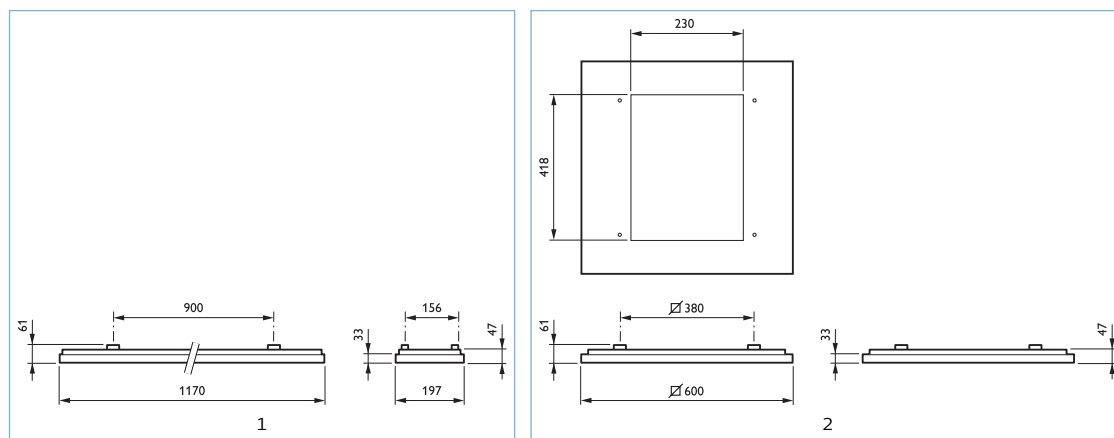
- Enables a simple switch from basic conventional luminaires to LED luminaires
- Energy saving of up to 45% compared to functional TL-D luminaires
- Slim design with a height of less than 40 mm

#### Features

- Integrated LED technology
- Slim housing
- Suspension set available as an accessory
- Recessed version also available for use in grid ceilings

#### Application

- General lighting



Commercial product name		Net Trade Price per Piece (€ net)	National Discount Group		Material Nr. (12NC)	EAN-1
SM134V LED27S/830 PSD W20L120 NOC	1	140,00	P2	1	910925864819	8718699348601
SM134V LED27S/830 PSD W20L120 OC	1	153,00	P2	1	910925864827	8718699348687
SM134V LED27S/830 PSD W60L60 NOC	1	140,00	P2	2	910925864817	8718699348588
SM134V LED27S/830 PSD W60L60 OC	1	153,00	P2	2	910925864825	8718699348663
SM134V LED27S/830 PSU W20L120 NOC	1	114,00	P2	1	910925864813	8718699348540
SM134V LED27S/830 PSU W60L60 NOC	1	114,00	P2	2	910925864811	8718699348526
SM134V LED27S/840 PSD W20L120 NOC	1	140,00	P2	1	910925864837	8718699348786
SM134V LED27S/840 PSD W20L120 OC	1	153,00	P2	1	910925864823	8718699348649
SM134V LED27S/840 PSD W60L60 NOC	1	140,00	P2	2	910925864836	8718699348779
SM134V LED27S/840 PSD W60L60 OC	1	153,00	P2	2	910925864821	8718699348625
SM134V LED27S/840 PSU W20L120 NOC	1	114,00	P2	1	910925864835	8718699348762
SM134V LED27S/840 PSU W60L60 NOC	1	114,00	P2	2	910925864834	8718699348755
SM134V LED37S/830 PSD W20L120 NOC	1	140,00	P2	1	910925864818	8718699348595
SM134V LED37S/830 PSD W20L120 OC	1	153,00	P2	1	910925864826	8718699348670
SM134V LED37S/830 PSD W60L60 NOC	1	140,00	P2	2	910925864816	8718699348571
SM134V LED37S/830 PSD W60L60 OC	1	153,00	P2	2	910925864824	8718699348656
SM134V LED37S/830 PSU W20L120 NOC	1	114,00	P2	1	910925864812	8718699348533
SM134V LED37S/830 PSU W20L120 OC	1	133,00	P2	1	910925864843	8718699348847
SM134V LED37S/830 PSU W60L60 NOC	1	117,00	P2	2	910925864810	8718699348519
SM134V LED37S/830 PSU W60L60 OC	1	133,00	P2	2	910925864842	8718699348830
SM134V LED37S/840 PSD W20L120 NOC	1	140,00	P2	1	910925864815	8718699348564
SM134V LED37S/840 PSD W20L120 OC	1	153,00	P2	1	910925864822	8718699348632
SM134V LED37S/840 PSD W60L60 NOC	1	140,00	P2	2	910925864814	8718699348557
SM134V LED37S/840 PSD W60L60 OC	1	153,00	P2	2	910925864820	8718699348618
SM134V LED37S/840 PSU W20L120 NOC	1	119,00	P2	1	910925864829	8718699348700
SM134V LED37S/840 PSU W20L120 OC	1	133,00	P2	1	910925864841	8718699348823
SM134V LED37S/840 PSU W60L60 NOC	1	119,00	P2	2	910925864828	8718699348694
SM134V LED37S/840 PSU W60L60 OC	1	133,00	P2	2	910925864840	8718699348816



Commercial product name	CE mark	Photo letter	Numerator - Packs per outer box	Material Nr. (12NC)	Net Trade Price per Piece (€)	National Discount Group
SM134Z SME-3	CE mark	A	1	910925864856	44,80	P2
SM134Z SME-5	CE mark	A	1	910925864854	47,10	P2
SM134Z SMS	CE mark	B	1	910925864855	33,31	P2



## TCS022

**TCS022 (OKN)**

Smart-designed luminaire with TL-D fluorescent tubes and with 2 diffuser options: opal (O) or prismatic (P) Diffuser is delivered with luminaire.

**Benefits**

- Luminaire dedicated to TL-D fluorescent tube providing smart-design which match to all interiors.
- Available with selection of smooth and easy-to-clean diffusers in opal or prismatic option.
- Design of the luminaire enable easy tool-less lamp replacement.

**Features**

- Timeless design
- TL-D fluorescent tubes compatibility
- Prismatic or opalescent diffuser
- Tool-less lamp replacement

**Application**

- Hotels
- Shops
- Public utility buildings
- Industry buildings

Commercial product name	Net Trade Price per Piece (€ net)	National Discount Group	Material Nr. (12NC)	EAN-1
TCS022 2xTL-D18W HF O	27,80	P1	910925328312	8718291044727
TCS022 2xTL-D18W HF P	27,80	P1	910925328212	8718291044710
TCS022 2xTL-D36W HF O	28,70	P1	910925327812	8718291044673
TCS022 2xTL-D36W HF P	28,70	P1	910925328012	8718291044697
TCS022 2xTL-D58W HF O	39,30	P1	910925327912	8718291044680
TCS022 2xTL-D58W HF P	39,30	P1	910925328112	8718291044703

Commercial product name	Material Nr. (12NC)	Net Trade Price per Piece (£)	National Discount Group
GCS022 2 18 O	910925218611	5,90	P1
GCS022 2 18 P	910925218511	5,90	P1
GCS022 2 36 O	910925218811	10,30	P1
GCS022 2 36 P	910925218711	10,30	P1
GCS022 2 58 O	910925219011	12,10	P1
GCS022 2 58 P	910925218911	12,10	P1
ZCS022 EP	910925219111	2,00	P1



## TCS165



### TCS165 – just light

Designed to meet the need for energy-efficient lighting, the TCS165 luminaire incorporates Philips TL5 technology, which means it saves on energy and is ideal for replacing outdated facilities. With its innovative design and dedicated optics, the TCS165 range can be applied as general lighting in a wide variety of applications including offices, corridors, schools, and shops (supermarkets, DIY). Used in combination with electronic ballasts and Philips TL5 lamps, it provides substantial energy savings.

#### Benefits

- Dedicated TL5 solution, which enables you to save up to 25% on energy compared to conventional solutions

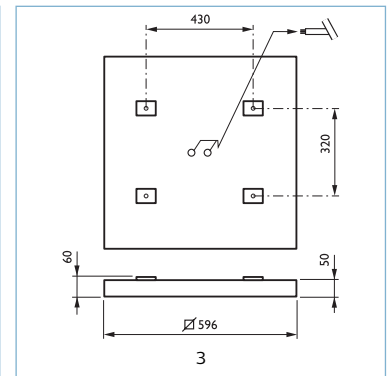
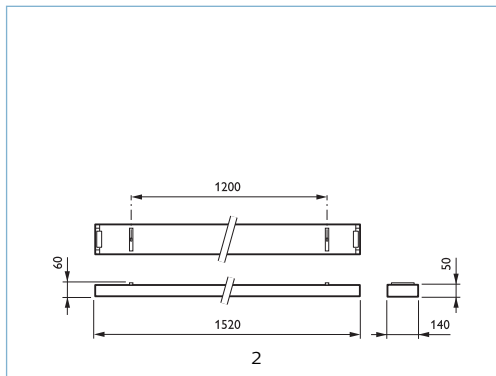
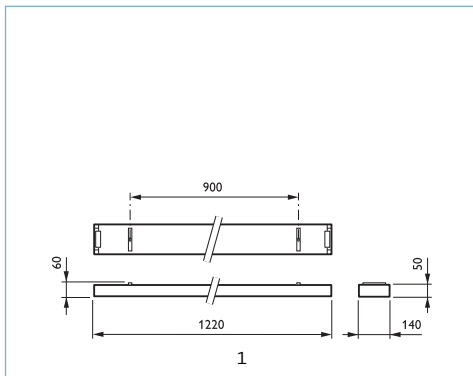
- Range very well positioned for applications including corridors in offices, school and shops



#### Features

- Substantial energy savings compared with TL-D solutions and electromagnetic ballasts
- Luminaire with dedicated optic - highly innovative in relation to the TL-D system
- Easy installation and maintenance - pre-mounted luminaire
- High-gloss aluminum reflectors
- C6 optics - omni-directional with glare control
- Perfect light distribution that enhances your project

#### Application

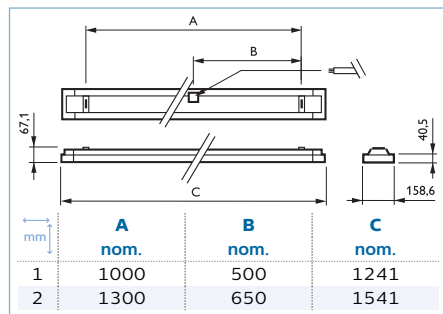
- Offices
- Schools
- Retail



Commercial product name		National Lamp Fee <sup>1</sup>	Net Trade Price per Piece (€ net)	National Discount Group		Material Nr. (12NC)	EAN-1
TCS165 2XTL5-28W/840 HF C6 PIP	1	fee relevant	48,20	P1	1	910503910080	8718696069349
TCS165 2XTL5-49W/840 HFS C6 PIP	1	fee relevant	63,20	P1	2	910503910083	8718696069370
TCS165 4XTL5-14W/840 HF C6 PIP	1	fee relevant	64,30	P1	3	910503910079	8718696069332

<sup>1</sup> Product fee relevant according local regulation

## EFix TCS260



### EFix – for a greener office

The EFix TL5 luminaire range is a dedicated, affordable choice of innovative lighting that enables massive energy savings to be made when old electromagnetic installations are replaced by the latest Philips technology. The range's optical performance complies with the latest EN 12464 norms, ensuring improved lighting quality in every application. Used in combination with high-frequency gear, Philips MASTER TL5 lamps enable substantial energy savings to be made. These savings can be further increased by using a Luxsense day-light controller integrated into the luminaire. The practical design of EFix combines both surface-mounted (TCS260) and suspended (TPS262) luminaires in one design. Thanks to the luminaire's easily removable top cover, the beam can be adjusted to provide direct or direct/indirect lighting. EFix is supplied with lamps and is ready to install, minimizing installation time. EFix recessed TBS260 completes Philips' range of luminaires for general

lighting applications in offices and shops.

#### Benefits



- In its segment the easiest product to install
- Dedicated TL5 luminaire design, which is appealing because of its simplicity
- Office compliant luminaire using the mini optics

#### Features

- Simple design
- MASTER TL5 lamps; suitable for use with high-frequency gear
- Mini optics; performance compliant with EN 12464 norms
- Integrated Luxsense daylight controller available
- Easily removable top cover: allows beam adjustment to provide direct or direct/indirect lighting


#### Application

- Offices
- Shops



Commercial product name		National Lamp Fee <sup>1</sup>	Net Trade Price per Piece (€ net)	National Discount Group		Material Nr. (12NC)	EAN - 1
TCS260 1x28W/830 HFS A SI	1	fee relevant	68,20	P2	1	910402378512	8727900611571
TCS260 1x28W/830 HFS A WH	1	fee relevant	65,00	P2	1	910402374412	8727900611168
TCS260 1x28W/830 HFS C6 WH	1	fee relevant	66,60	P2	1	910402374012	8727900611120
TCS260 1x28W/830 HFS D6 SI	1	fee relevant	75,40	P2	1	910402378212	8727900611540
TCS260 1x28W/830 HFS D6 WH	1	fee relevant	72,10	P2	1	910402374112	8727900611137
TCS260 1x28W/840 HFS A SI	1	fee relevant	68,20	P2	1	910402386712	8727900612394
TCS260 1x28W/840 HFS A WH	1	fee relevant	65,00	P2	1	910402382612	8727900611984
TCS260 1x28W/840 HFS C6 SI	1	fee relevant	69,40	P2	1	910402386312	8727900612356
TCS260 1x28W/840 HFS C6 WH	1	fee relevant	66,60	P2	1	910402382212	8727900611946
TCS260 1x28W/840 HFS D6 SI	1	fee relevant	75,40	P2	1	910402386412	8727900612363
TCS260 1x28W/840 HFS D6 WH	1	fee relevant	72,10	P2	1	910402382312	8727900611953
TCS260 1x28W/840 HFS M6 SI	1	fee relevant	69,40	P2	1	910402386512	8727900612370
TCS260 1x35W/830 HFS A WH	1	fee relevant	73,10	P2	2	910402374912	8727900611212
TCS260 1x35W/830 HFS C6 WH	1	fee relevant	75,40	P2	2	910402374512	8727900611175
TCS260 1x35W/830 HFS D6 SI	1	fee relevant	83,90	P2	2	910402378712	8727900611595
TCS260 1x35W/830 HFS D6 WH	1	fee relevant	80,90	P2	2	910402374612	8727900611182
TCS260 1x35W/830 HFS M6 WH	1	fee relevant	75,40	P2	2	910402374712	8727900611199
TCS260 1x35W/840 HFS A WH	1	fee relevant	73,10	P2	2	910402383112	8727900612035
TCS260 1x35W/840 HFS C6 SI	1	fee relevant	77,90	P2	2	910402386812	8727900612400
TCS260 1x35W/840 HFS C6 WH	1	fee relevant	75,40	P2	2	910402382712	8727900611991
TCS260 1x35W/840 HFS D6 SI	1	fee relevant	83,90	P2	2	910402386912	8727900612417
TCS260 1x35W/840 HFS D6 WH	1	fee relevant	80,90	P2	2	910402382812	8727900612004
TCS260 1x35W/840 HFS M6 SI	1	fee relevant	77,90	P2	2	910402387012	8727900612424
TCS260 1x49W/830 HFS A SI	1	fee relevant	78,10	P2	2	910402379512	8727900611670
TCS260 1x49W/830 HFS A WH	1	fee relevant	75,10	P2	2	910402375412	8727900611267
TCS260 1x49W/830 HFS C6 SI	1	fee relevant	79,30	P2	2	910402379112	8727900611632
TCS260 1x49W/830 HFS C6 WH	1	fee relevant	76,70	P2	2	910402375012	8727900611229
TCS260 1x49W/830 HFS D6 SI	1	fee relevant	85,00	P2	2	910402379212	8727900611649
TCS260 1x49W/830 HFS D6 WH	1	fee relevant	82,50	P2	2	910402375112	8727900611236
TCS260 1x49W/840 HFS A SI	1	fee relevant	78,10	P2	2	910402387712	8727900612493
TCS260 1x49W/840 HFS A WH	1	fee relevant	75,10	P2	2	910402383612	8727900612080
TCS260 1x49W/840 HFS C6 SI	1	fee relevant	79,30	P2	2	910402387312	8727900612455
TCS260 1x49W/840 HFS C6 WH	1	fee relevant	76,70	P2	2	910402383212	8727900612042
TCS260 1x49W/840 HFS D6 SI	1	fee relevant	85,00	P2	2	910402387412	8727900612462
TCS260 1x49W/840 HFS D6 WH	1	fee relevant	82,50	P2	2	910402383312	8727900612059
TCS260 1x49W/840 HFS M6 SI	1	fee relevant	79,30	P2	2	910402387512	8727900612479

More data see next page

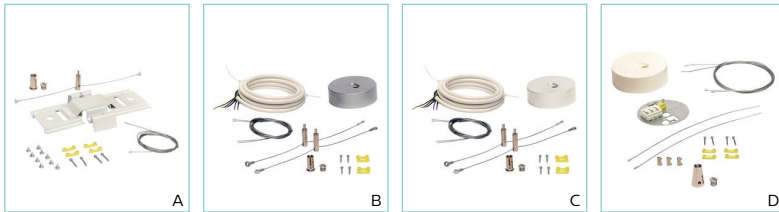


Commercial product name		National Lamp Fee <sup>1</sup>	Net Trade Price per Piece (€ net)	National Discount Group	mm	Material Nr. (12NC)	EAN - 1
TCS260 1x49W/840 HFS M6 WH	1	fee relevant	95,40	P2	2	910402383412	8727900612066
TCS260 1x54W/830 HFS A WH	1	fee relevant	66,60	P2	1	910402375912	8727900611311
TCS260 1x54W/830 HFS C6 WH	1	fee relevant	68,00	P2	1	910402375512	8727900611274
TCS260 1x54W/830 HFS D6 SI	1	fee relevant	76,70	P2	1	910402379712	8727900611694
TCS260 1x54W/830 HFS D6 WH	1	fee relevant	73,50	P2	1	910402375612	8727900611281
TCS260 1x54W/840 HFS A SI	1	fee relevant	69,80	P2	1	910402388212	8727900612547
TCS260 1x54W/840 HFS A WH	1	fee relevant	66,60	P2	1	910402384112	8727900612134
TCS260 1x54W/840 HFS C6 SI	1	fee relevant	71,00	P2	1	910402387812	8727900612509
TCS260 1x54W/840 HFS C6 WH	1	fee relevant	68,00	P2	1	910402383712	8727900612097
TCS260 1x54W/840 HFS D6 SI	1	fee relevant	76,70	P2	1	910402387912	8727900612516
TCS260 1x54W/840 HFS D6 WH	1	fee relevant	73,50	P2	1	910402383812	8727900612103
TCS260 1x54W/840 HFS M6 SI	1	fee relevant	71,00	P2	1	910402388012	8727900612523
TCS260 1x54W/840 HFS M6 WH	1	fee relevant	68,00	P2	1	910402383912	8727900612110
TCS260 1x80W/830 HFS A SI	1	fee relevant	78,10	P2	2	910402380512	8727900611779
TCS260 1x80W/830 HFS A WH	1	fee relevant	75,10	P2	2	910402376412	8727900611366
TCS260 1x80W/830 HFS D6 SI	1	fee relevant	85,00	P2	2	910402380212	8727900611748
TCS260 1x80W/830 HFS M6 WH	1	fee relevant	76,70	P2	2	910402376212	8727900611342
TCS260 1x80W/840 HFS A SI	1	fee relevant	78,10	P2	2	910402388712	8727900612592
TCS260 1x80W/840 HFS A WH	1	fee relevant	75,10	P2	2	910402384612	8727900612189
TCS260 1x80W/840 HFS C6 SI	1	fee relevant	79,30	P2	2	910402388312	8727900612554
TCS260 1x80W/840 HFS C6 WH	1	fee relevant	76,70	P2	2	910402384212	8727900612141
TCS260 1x80W/840 HFS M6 SI	1	fee relevant	79,30	P2	2	910402388512	8727900612578
TCS260 2x28W/830 HFS C6 SI	1	fee relevant	76,30	P2	1	910402380612	8727900611786
TCS260 2x28W/830 HFS C6 WH	1	fee relevant	72,80	P2	1	910402376512	8727900611373
TCS260 2x28W/830 HFS D6 SI	1	fee relevant	83,90	P2	1	910402380712	8727900611793
TCS260 2x28W/830 HFS D6 WH	1	fee relevant	80,90	P2	1	910402376612	8727900611380
TCS260 2x28W/830 HFS M6 WH	1	fee relevant	72,80	P2	1	910402376712	8727900611397
TCS260 2x28W/840 HFS C6 SI	1	fee relevant	76,30	P2	1	910402388812	8727900612608
TCS260 2x28W/840 HFS C6 WH	1	fee relevant	72,80	P2	1	910402384712	8727900612196
TCS260 2x28W/840 HFS D6 SI	1	fee relevant	83,90	P2	1	910402388912	8727900612615
TCS260 2x28W/840 HFS D6 WH	1	fee relevant	80,90	P2	1	910402384812	8727900612202
TCS260 2x28W/840 HFS M2 SI	1	fee relevant	74,90	P2	1	910402389112	8727900612639
TCS260 2x28W/840 HFS M2 WH	1	fee relevant	71,70	P2	1	910402385012	8727900612226
TCS260 2x28W/840 HFS M6 SI	1	fee relevant	76,30	P2	1	910402389012	8727900612622
TCS260 2x28W/840 HFS M6 WH	1	fee relevant	72,80	P2	1	910402384912	8727900612219
TCS260 2x35W/830 HFS C6 SI	1	fee relevant	82,50	P2	2	910402381012	8727900611823
TCS260 2x35W/830 HFS C6 WH	1	fee relevant	79,30	P2	2	910402376912	8727900611410
TCS260 2x35W/830 HFS D6 SI	1	fee relevant	89,40	P2	2	910402381112	8727900611830
TCS260 2x35W/830 HFS D6 WH	1	fee relevant	86,40	P2	2	910402377012	8727900611427
TCS260 2x35W/830 HFS M6 WH	1	fee relevant	79,30	P2	2	910402377112	8727900611434
TCS260 2x35W/840 HFD D6 SI	1	fee relevant	142,50	P2	2	910925501112	8727900622300
TCS260 2x35W/840 HFS C6 SI	1	fee relevant	82,50	P2	2	910402389212	8727900612646
TCS260 2x35W/840 HFS C6 WH	1	fee relevant	79,30	P2	2	910402385112	8727900612233
TCS260 2x35W/840 HFS D6 SI	1	fee relevant	89,40	P2	2	910402389312	8727900612653
TCS260 2x35W/840 HFS D6 WH	1	fee relevant	86,40	P2	2	910402385212	8727900612240
TCS260 2x35W/840 HFS M2 WH	1	fee relevant	77,90	P2	2	910402385412	8727900612264
TCS260 2x35W/840 HFS M6 SI	1	fee relevant	82,50	P2	2	910402389412	8727900612660
TCS260 2x35W/840 HFS M6 WH	1	fee relevant	79,30	P2	2	910402385312	8727900612257
TCS260 2x49W/830 HFS C6 SI	1	fee relevant	85,00	P2	2	910402381412	8727900611861
TCS260 2x49W/830 HFS C6 WH	1	fee relevant	82,50	P2	2	910402377312	8727900611458
TCS260 2x49W/830 HFS D6 SI	1	fee relevant	92,40	P2	2	910402381512	8727900611878
TCS260 2x49W/830 HFS D6 WH	1	fee relevant	89,40	P2	2	910402377412	8727900611465
TCS260 2x49W/830 HFS M6 WH	1	fee relevant	82,50	P2	2	910402377512	8727900611472
TCS260 2x49W/840 HFS C6 SI	1	fee relevant	85,00	P2	2	910402389612	8727900612684
TCS260 2x49W/840 HFS C6 WH	1	fee relevant	82,50	P2	2	910402385512	8727900612271
TCS260 2x49W/840 HFS D6 SI	1	fee relevant	92,40	P2	2	910402389712	8727900612691
TCS260 2x49W/840 HFS D6 WH	1	fee relevant	89,40	P2	2	910402385612	8727900612288
TCS260 2x49W/840 HFS M2 WH	1	fee relevant	80,90	P2	2	910402385812	8727900612301
TCS260 2x49W/840 HFS M6 SI	1	fee relevant	85,00	P2	2	910402389812	8727900612707
TCS260 2x49W/840 HFS M6 WH	1	fee relevant	82,50	P2	2	910402385712	8727900612295
TCS260 2x54W/830 HFS C6 SI	1	fee relevant	78,80	P2	1	910402381812	8727900611908
TCS260 2x54W/830 HFS C6 WH	1	fee relevant	76,30	P2	1	910402377712	8727900611496
TCS260 2x54W/830 HFS D6 SI	1	fee relevant	89,40	P2	1	910402381912	8727900611915
TCS260 2x54W/830 HFS D6 WH	1	fee relevant	86,40	P2	1	910402377812	8727900611502
TCS260 2x54W/830 HFS M6 SI	1	fee relevant	78,80	P2	1	910402382012	8727900611922

More data see next page

Commercial product name		National Lamp Fee <sup>1</sup>	Net Trade Price per Piece (€ net)	National Discount Group		Material Nr. (12NC)	EAN - 1
TCS260 2x54W/840 HFS C6 SI	1	fee relevant	78,80	P2	1	910402390012	8727900612721
TCS260 2x54W/840 HFS C6 WH	1	fee relevant	76,30	P2	1	910402385912	8727900612318
TCS260 2x54W/840 HFS D6 SI	1	fee relevant	89,40	P2	1	910402390112	8727900612738
TCS260 2x54W/840 HFS D6 WH	1	fee relevant	86,40	P2	1	910402386012	8727900612325
TCS260 2x54W/840 HFS M6 SI	1	fee relevant	78,80	P2	1	910402390212	8727900612745
TCS260 2x54W/840 HFS M6 WH	1	fee relevant	76,30	P2	1	910402386112	8727900612332

<sup>1</sup> Product fee relevant according local regulation



Commercial product name	Photo letter	Numerator - Packs per outer box	Material Nr. (12NC)	Net Trade Price per Piece (€)	National Discount Group
ZCS260 CPS-WH	A	1	910925225311	23,60	P2
ZCS260 SME-3-SI	B	1	910925225111	38,30	P2
ZCS260 SME-3-WH	C	1	910925225011	37,20	P2
ZCS260 SME-5-SI	B	1	910925225511	41,80	P2
ZCS260 SME-5-WH	C	1	910925225411	40,20	P2
ZCS260 SMT-L1500 WH	D	1	910925225211	25,50	P2



## Ledinaire Wall-mounted WL060V



## Simply great LED

The Ledinaire range contains a selection of popular off-the-shelf LED luminaires, each of which come with the high Philips quality levels and competitive price. Reliable, energy-efficient and affordable – just what you need.

## Benefits

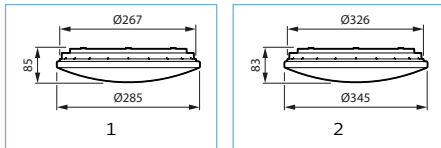
- Philips quality and reliability
- Energy savings
- Wide application coverage

## Features

- Modern, unobtrusive design
- Two lumen packages and sizes; 1,100 lm 30 cm, 1,700 lm 35 cm
- IP44 rating perfect for indoor applications
- Full transparent cover providing homogeneous light effect
- Optional motion detection and daylight sensor

## Application

- Corridors
- Staircases
- Public entrance areas



Commercial product name		Net Trade Price per Piece (€ net)	National Discount Group		Material Nr. (12NC)	EAN-1	
WL060V LED11S/830 PSU II WH	6	23,50	P7	1	912401483073	8718699382315	★
WL060V LED11S/840 PSU II WH	6	23,50	P7	1	912401483074	8718699382322	★
WL060V LED17S/830 PSU II WH	6	29,40	P7	2	912401483075	8718699382339	★
WL060V LED17S/830 PSU MDU II WH	6	42,70	P7	2	912401483077	8718699382353	
WL060V LED17S/840 PSU II WH	6	29,40	P7	2	912401483076	8718699382346	★
WL060V LED17S/840 PSU MDU II WH	6	42,70	P7	2	912401483078	8718699382360	

★ = First choice



## CoreLine Wall-mounted



### CoreLine Wall-mounted – the clear choice for LED

CoreLine Wall-mounted is a circular-shaped surface-mounted luminaire that is easy to apply in circulation areas such as hallways and staircases. The modern unobtrusive design, in combination with its homogeneous light distribution it delivers, ensures that this luminaire blends into most building architectures. With the push-in connectors, installation is fast and straightforward.

#### Benefits

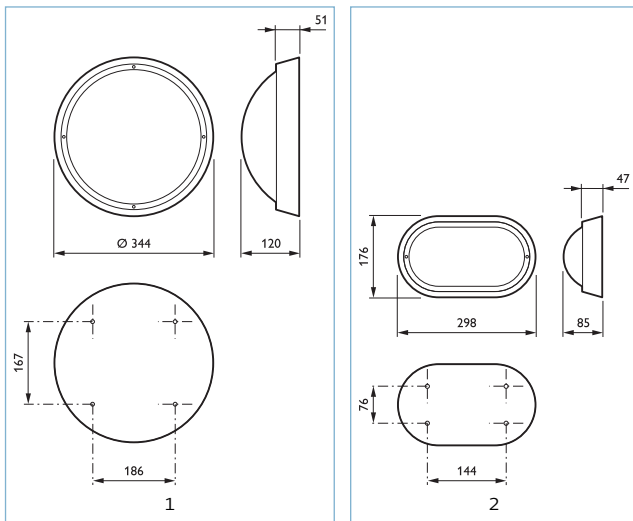
- Universal solution covering various application requirements
- Slim and unobtrusive design
- Delivering the right visual comfort in common areas
- Direct replacement for traditional wall-mounted luminaires



#### Features

- Homogeneous light effect to cater for visual comfort
- Three lumen packages to cater for diverse applications
- Water- and vandal-proof as standard
- Easy installation with push-in connectors and through wiring possibility
- Optional emergency lighting (incl. self-test)
- Optional motion detector, including daylight sensing, dimming and grouping function
- Optional DALI versions

#### Application

- Corridors
- Staircases
- Entrance areas
- Restrooms
- Emergency exits
- Parking garages
- Outdoor safety lighting



Commercial product name		Net Trade Price per Piece (€ net)	National Discount Group	 mm	Material Nr. (12NC)	EAN-1
WL120V LED12S/830 PSU MDU GR	1	145,20	P2	1	910500454796	8718696240984
WL120V LED12S/830 PSU MDU WH	1	145,20	P2	1	910500454797	8718696240991
<b>Z</b> WL120V LED12S/830 PSU WH	6	81,00	P2	1	910503910018	8718696066416
WL120V LED12S/840 PSR MDU WH	1	145,20	P2	1	910500454804	8718696241059
WL120V LED12S/840 PSU MDU GR	1	145,20	P2	1	910500454803	8718696241042
<b>Z</b> WL120V LED12S/840 PSU WH	6	81,00	P2	1	910503910012	8718696066355
WL120V LED16S/830 PSU MDU GR	1	152,40	P2	1	910500454809	8718696241103
WL120V LED16S/830 PSU MDU WH	1	152,40	P2	1	910500454810	8718696241110
<b>Z</b> WL120V LED16S/830 PSU WH	6	85,70	P2	1	910503910016	8718696066393
<b>Z</b> WL120V LED16S/840 PSU GR	6	85,70	P2	1	910503910011	8718696066348
WL120V LED16S/840 PSU MDU GR	1	152,40	P2	1	910500454815	8718696241165
WL120V LED16S/840 PSU MDU WH	1	152,40	P2	1	910500454816	8718696241172
<b>Z</b> WL120V LED16S/840 PSU WH	6	85,70	P2	1	910503910010	8718696066331
WL121V LED5S/830 PSU MDU GR	1	115,50	P2	2	910500454788	8718696242872
WL121V LED5S/830 PSU MDU WH	1	115,50	P2	2	910500454789	8718696242889
<b>Z</b> WL121V LED5S/830 PSU WH	12	59,50	P2	2	910503910020	8718696066430
<b>Z</b> WL121V LED5S/840 PSU GR	12	59,50	P2	2	910503910015	8718696066386
WL121V LED5S/840 PSU MDU GR	1	115,50	P2	2	910500454790	8718696242896
WL121V LED5S/840 PSU MDU WH	1	115,50	P2	2	910500454791	8718696242902

**Z** = available until stock lasts



## CoreLine Downlight



### CoreLine Downlight – The clear choice for LED

The CoreLine Downlight range of recessed luminaires is designed to replace CFL-ni/CFL-i based downlight luminaires. Their attractive TCO helps customers to make the switch to LED. These luminaires create a natural lighting effect for use in general lighting applications. They also deliver instant energy savings and have a much longer lifetime, creating a real value-for-money and environmentally friendly solution. They are easy to install thanks to their standard cut-out size and push-in connectors. InterAct Ready luminaire with integrated wireless communications to be used with InterAct gateways, sensors and software.

#### Benefits

- Reduced operating costs thanks to energy saving and longer lifetime

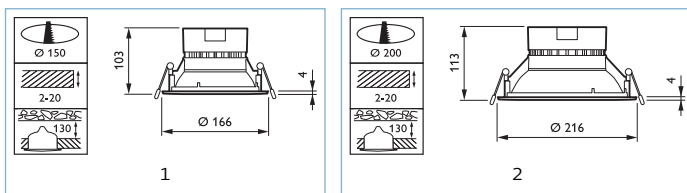
- One-to-one replacement, facilitating the switch from conventional to LED luminaires
- Suitable for professional applications thanks to DALI dimming and aluminum reflector


#### Features

- Available in 1,100 and 2,100 lumen versions
- Energy-efficient: up to 100 lm/W
- DALI version available
- Choice of color temperature: 3,000 and 4,000 K
- Protected glass available as an option (also enables IP44 protection)

#### Application

- General lighting in corridors
- Retail stores
- Reception areas
- Indoor circulation areas



Commercial product name		Net Trade Price per Piece (€ net)	National Discount Group	 mm	Material Nr. (12NC)	EAN-1
DN130B LED10S/830 PSED-E II WH	1	81,00	P2	1	910500457701	8718696852231
DN130B LED10S/830 PSU PI6 WH	1	40,50	P2	1	910500457699	8718696852224
DN130B LED10S/840 PSED-E II WH	1	81,00	P2	1	910500457725	8718696852705
DN130B LED10S/840 PSU PI6 WH	1	40,50	P2	1	910500457724	8718696852699
DN130B LED20S/830 PSED-E II WH	1	90,40	P2	2	910500457703	8718696852255
DN130B LED20S/830 PSU PI6 WH	1	50,10	P2	2	910500457702	8718696852248
DN130B LED20S/840 PSED-E II WH	1	90,40	P2	2	910500457727	8718696852729
DN130B LED20S/840 PSU PI6 WH	1	50,10	P2	2	910500457726	8718696852712
DN131B LED10S/830 PSED-E II ALU	1	85,70	P2	1	910500457705	8718696852279
DN131B LED10S/830 PSU PI6 ALU	1	47,60	P2	1	910500457704	8718696852262
DN131B LED10S/840 PSED-E II ALU	1	85,70	P2	1	910500457729	8718696852743
DN131B LED10S/840 PSU PI6 ALU	1	47,60	P2	1	910500457728	8718696852736
DN131B LED20S/830 PSED-E II ALU	1	95,30	P2	2	910500457707	8718696852293
DN131B LED20S/830 PSU PI6 ALU	1	54,80	P2	2	910500457706	8718696852286
DN131B LED20S/840 PSED-E II ALU	1	95,30	P2	2	910500457731	8718696852767
DN131B LED20S/840 PSU PI6 ALU	1	54,80	P2	2	910500457730	8718696852750



## CoreLine SlimDownlight



### CoreLine SlimDownlight – the clear choice for LED

CoreLine SlimDownlight is a range of ultra-thin recessed luminaires designed to replace downlight luminaires based on CFL-ni/CFL-I lamp technology. The product's attractive TCO makes it easy for customers to make the switch to LED. CoreLine SlimDownlight delivers a natural 'surface of light' effect for use in general lighting applications. It also offers instant energy savings and a much longer lifetime, making it a real value-for-money and environmentally friendly solution. Installation is easy, as the luminaire fits the same size of cut-out and has an extremely small build-in depth. InterAct Ready luminaire with integrated wireless communications to be used with InterAct gateways, sensors and software.

#### Benefits

- Energy savings and longer lifetime reduce operating costs

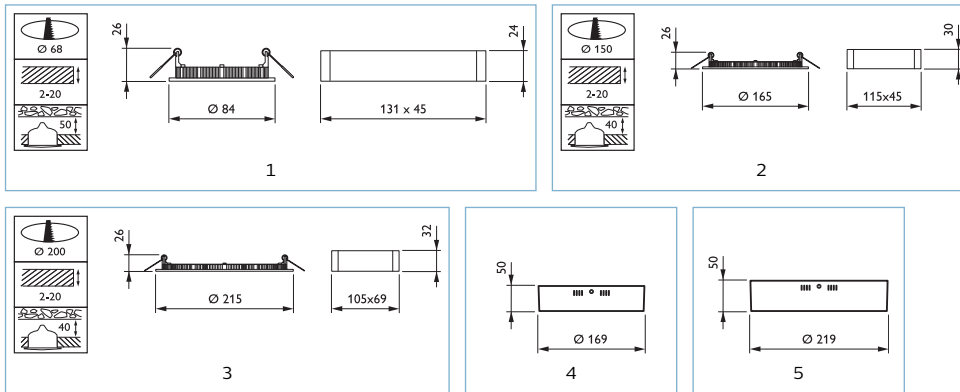
- One-to-one replacement for conventional luminaires
- The natural 'surface of light' effect creates a comfortable, high-end look



#### Features

- Diffuse light quality
- Product height of less than 50 mm: fits more ceiling types
- Surface-mounted version enables luminaire to be positioned anywhere
- Available in 1,000 and 2,000 lumen versions
- Choice of color temperature: 3,000 and 4,000 K

#### Application

- General lighting in corridors
- Retail stores
- Reception areas
- Indoor circulation areas



Commercial product name		Net Trade Price per Piece (€ net)	National Discount Group	 mm	Material Nr. (12NC)	EAN-1
DN135B LED6S/830 PSR-E II WH	24	26,20	P2	1	910503910317	8718699381172
DN135B LED6S/840 PSR-E II WH	24	26,20	P2	1	910503910318	8718699381196
DN135B LED10S/830 PSU II WH	12	33,00	P2	2	910503910110	8718696070420
DN135B LED10S/840 PSU II WH	12	33,00	P2	2	910503910111	8718696070437
DN135B LED20S/830 PSU II WH	12	36,00	P2	3	910503910112	8718696070444
DN135B LED20S/840 PSU II WH	12	36,00	P2	3	910503910113	8718696070451
DN135C LED10S/830 PSU II WH	12	40,00	P2	4	910503910114	8718696070468
DN135C LED10S/840 PSU II WH	12	40,00	P2	4	910503910115	8718696070475
DN135C LED20S/830 PSU II WH	12	43,00	P2	5	910503910116	8718696070482
DN135C LED20S/840 PSU II WH	12	43,00	P2	5	910503910117	8718696070499



## Downlight DN060B



### Simply great LED

The LEDINAIRE range contains a selection of popular off-the-shelf LED luminaires that come with the high Philips quality levels at a competitive price. Reliable, energy-efficient and affordable – just what you need.

#### Benefits

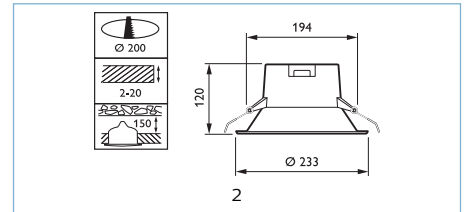
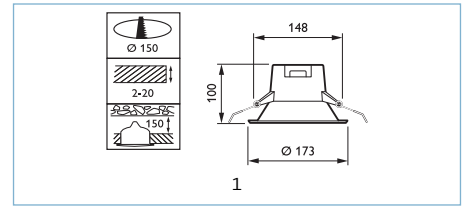
- Philips quality and reliability
- Energy saving
- Comfortable diffuse light



#### Features

- Multiple sizes and light levels available
- Multiple light colors available
- Modern, unobtrusive design

#### Application

- Corridors
- Rest rooms
- Waiting rooms



Commercial product name		Net Trade Price per Piece (€ net)	National Discount Group	 mm	Material Nr. (12NC)	EAN-1
DN060B LED8S/830 PSU WH	12	17,50	P7	1	911401532031	8710163306629
DN060B LED8S/840 PSU WH	12	17,50	P7	1	911401532231	8710163306643
DN060B LED18S/830 PSU WH	8	22,70	P7	2	911401531931	8710163306612
DN060B LED18S/840 PSU WH	8	22,70	P7	2	911401532131	8710163306636





## Ledinaire SlimDownlight DN065B



### Simply great LED

The LEDINAIRE range contains a selection of popular off-the-shelf LED luminaires that come with the high Philips quality levels at a competitive price. Reliable, energy-efficient and affordable – just what you need

#### Benefits

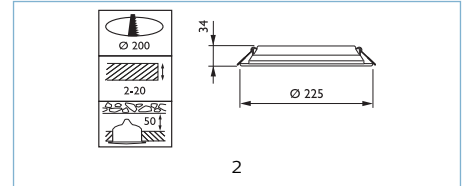
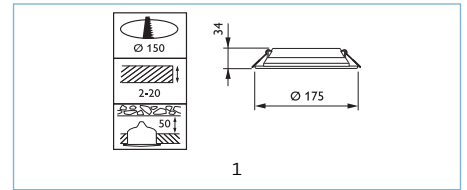
- Philips quality and reliability
- Energy saving
- Comfortable diffuse surface of light



#### Features

- Multiple sizes and light levels available
- Multiple light colors available
- Ultra slim design

#### Application

- Corridors
- Rest rooms
- Waiting rooms



Commercial product name		Net Trade Price per Piece (€ net)	National Discount Group	 mm	Material Nr. (12NC)	EAN-1
DN065B LED10S/830 PSU II WH	12	12,80	P7	1	910503910331	8718699381752
DN065B LED10S/840 PSU II WH	12	12,80	P7	1	910503910332	8718699381769 ★
DN065B LED20S/830 PSU II WH	12	18,50	P7	2	910503910333	8718699381776
DN065B LED20S/840 PSU II WH	12	18,50	P7	2	910503910334	8718699381783 ★

★ = First choice



## Zadora LED



### Zadora LED – freedom to create

Zadora LED is a range of recessed adjustable downlights for MASTERLEDspot lamps. They come in ready-to-install KIT versions including the MASTERLEDspot MV lamp. MASTER LEDspot delivers huge energy savings and minimizes maintenance cost without compromising on brightness, enabling owners to achieve a return on their investment within one year. The adjustable version offers 30° orientation from the vertical. Both lamps deliver a flux equivalent to that of a 50 W halogen lamp. Zadora LED downlights are available in different color finishes. Maintenance is easy as the lamp can be accessed directly.

### Benefits

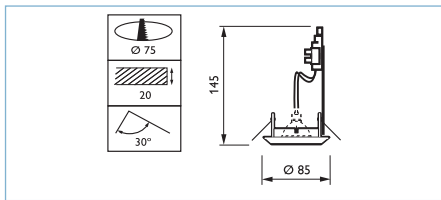
- Easiest and cheapest way to convert from halogen luminaire to LED luminaire
- Reducing operational cost with 85% energy saving and 15 x longer lifetime compare to standard halogen based luminaire
- Direct lamp access for easy maintenance

### Features

- Integrates latest LED technology
- Available in different finishes
- Improved dimmer compatibility

### Application

- Hospitality
- Retail
- Offices



Commercial product name		Net Trade Price per Piece (€ net)	National Discount Group	Material Nr. (12NC)	EAN - 1
RS049B LED-MS-40-5W-2700-GU10 ALU 50W	36	13,30	P7	912401483106	8718696070147
RS049B LED-MS-40-5W-2700-GU10 WH 50W	36	13,30	P7	912401483104	8718696070123
RS049B LED-MS-40-5W-3000-GU10 ALU 50W	36	13,30	P7	912401483108	8718696070161
RS049B LED-MS-40-5W-3000-GU10 WH 50W	36	13,30	P7	912401483107	8718696070154



## CoreLine Recessed Spot



### CoreLine Recessed Spot – the clear choice for LED

CoreLine Recessed Spot is a recessed spot range designed to replace halogen-based luminaires. Its halogen-like look and attractive price make it easier for customers to make the switch to LED. This product provides a natural lighting effect for accent lighting applications, as well as instant energy savings and much longer lifetime – an environmentally friendly solution. With the push-in connectors, installation is fast and straightforward.

#### Benefits

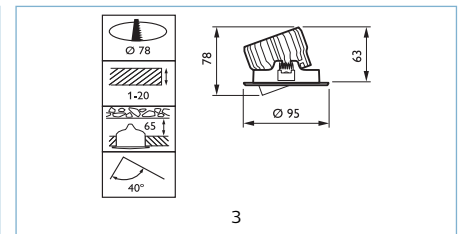
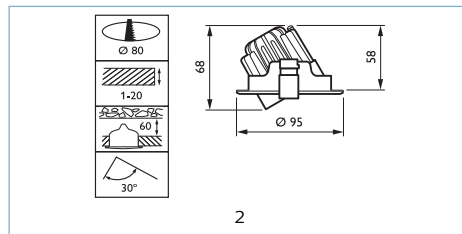
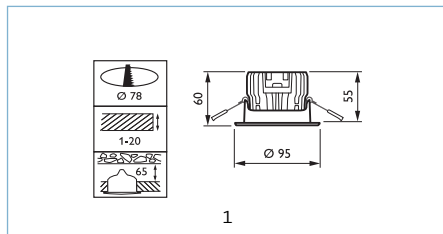
- High-end material and finish for decorative applications; dedicated optics for halogen-reflector look and glare control
- 80% energy saving and 15 times longer lifetime compare to standard halogen-based luminaires
- Due to its slim design it fits in most types of ceiling; compatible with nearly all wall-mounted dimmers
- Wide portfolio to cover multiple application spaces; from bathroom to diningroom

#### Features

- Available in fixed and adjustable versions
- Different finishes available
- Choice of color temperatures: 2,700, 3,000, 4,000 K and DimTone (dim 3,000 K to 2,200 K)
- Available in two light levels; 650 lumen (standard halogen) 1,200 lumen (CDM-T 20 W Standard)
- Available in two beam angles: 32D Medium Beam 60D Very Wide Beam
- Slim design; smaller than 60 mm
- Push-in connector with through-wiring option
- High Performance Dimming driver
- Chip-on-Board (COB) technology

#### Application

- Reception areas
- Decorative applications
- Retail stores and small fashion shops
- Corridors
- Bathrooms and toilets



Commercial product name		Net Trade Price per Piece (€ net)	National Discount Group	mm	Material Nr. (12NC)	EAN-1
RS140B LED6-32-/827 PSR PI6 ALU		18 32,00	P2	1	912401483045	8718699382872
RS140B LED6-32-/827 PSR PI6 WH		18 30,80	P2	1	912401483031	8718699382773
RS140B LED6-32-/830 PSR PI6 ALU		18 32,00	P2	1	912401483046	8718699382889
RS140B LED6-32-/830 PSR PI6 WH		18 30,80	P2	1	912401483032	8718699382780
RS140B LED6-32-/840 PSR PI6 ALU		18 32,00	P2	1	912401483047	8718699382896
RS140B LED6-32-/840 PSR PI6 WH		18 30,80	P2	1	912401483033	8718699382797
RS140B LED9-32-/830 PSR PI6 ALU		18 33,20	P2	1	912401483051	8718699382933
RS140B LED9-32-/830 PSR PI6 WH		18 32,00	P2	1	912401483039	8718699382858
RS140B LED9-32-/840 PSR PI6 ALU		18 33,20	P2	1	912401483052	8718699382940
RS140B LED9-32-/840 PSR PI6 WH		18 32,00	P2	1	912401483040	8718699382865
<b>N</b> RS140B LED12-36-/830 PSR PI6 ALU		18 35,60	P2	2	912401483053	8718699384234
<b>N</b> RS140B LED12-36-/830 PSR PI6 WH		18 35,60	P2	2	912401483043	8718699384210
<b>N</b> RS140B LED12-36-/840 PSR PI6 ALU		18 35,60	P2	2	912401483054	8718699384241
<b>N</b> RS140B LED12-36-/840 PSR PI6 WH		18 35,60	P2	2	912401483044	8718699384227
RS141B LED6-32-/827 PSR PI6 ALU		18 33,20	P2	3	912401483048	8718699382902
RS141B LED6-32-/827 PSR PI6 WH		18 32,00	P2	3	912401483034	8718699382803
RS141B LED6-32-/830 PSR PI6 ALU		18 33,20	P2	3	912401483049	8718699382919
RS141B LED6-32-/830 PSR PI6 WH		18 32,00	P2	3	912401483035	8718699382810
RS141B LED6-32-/840 PSR PI6 ALU		18 33,20	P2	3	912401483050	8718699382926
RS141B LED6-32-/840 PSR PI6 WH		18 32,00	P2	3	912401483036	8718699382827
RS141B LED9-32-/830 PSR PI6 WH		18 33,20	P2	3	912401483037	8718699382834
RS141B LED9-32-/840 PSR PI6 WH		18 33,20	P2	3	912401483038	8718699382841
<b>N</b> RS141B LED12-36-/830 PSR PI6 WH		18 34,40	P2	3	912401483041	8718699384197
<b>N</b> RS141B LED12-36-/840 PSR PI6 WH		18 34,40	P2	3	912401483042	8718699384203
<b>N</b> RS142B LED6-32-/827 PSR PI6 WH FR		18 33,30	P2	2	912401483119	8718699384173
<b>N</b> RS142B LED6-32-/830 PSR PI6 WH FR		18 33,30	P2	2	912401483120	8718699384180

**N** = New

## ClearAccent



### ClearAccent - Affordable recessed LED spot

ClearAccent is an entry-level recessed spot range designed to replace halogen-based luminaires. Its attractive price and high lumen per watt ratio make the decision to switch to LED an easy one. The luminaire's compact design, with built-in driver, is suitable for a wide variety of applications. The dimensions of the fixation hole meet the old halogen-based standard of 68 mm, which makes retrofitting possible. Thanks to the screw-in connectors, installation is easy and safe.

#### Benefits

- Easiest and cheapest way to convert from halogen to LED spots

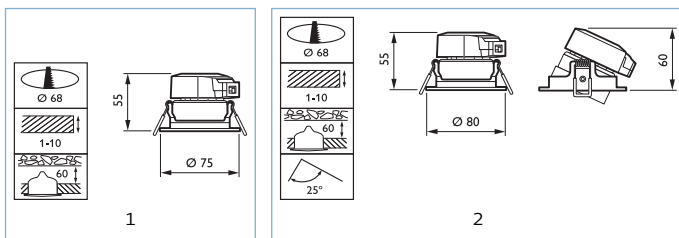
- Reduced operating expenses: 90% energy saving and 10 times longer lifetime compared to standard halogen-based luminaires
- Clean and simple finish ensures discrete blend into any interior



#### Features

- Available in fixed or adjustable versions
- 500 lumens with a 36-degree beam
- Choice of color temperatures: 3,000 and 4,000 K
- Integrated driver
- Compatible with most leading-edge dimmers

#### Application

- Reception and hospitality areas
- Small retail stores and offices
- Corridors and elevators
- Toilets



Commercial product name		Net Trade Price per Piece (€ net)	National Discount Group	 mm	Material Nr. (12NC)	EAN-1
RS060B LED5 - 36- /830 PSR II WH	24	17,50	P7	1	910503910182	8718696072677
RS060B LED5 - 36- /840 PSR II WH	24	17,50	P7	1	910503910183	8718696072684
RS061B LED5 - 36- /830 PSR II WH	24	17,50	P7	2	910503910184	8718696072691
RS061B LED5 - 36- /840 PSR II WH	24	17,50	P7	2	910503910185	8718696072707



## Zadora, adjustable



### Zadora – free to create

Zadora is a range of recessed downlights for MASTERLine 35 and 50 mm dichroic halogen lamps (with beams of 8°, 24°, 36° and 60°) and Twistline Alu lamps. It is available in fixed and adjustable versions, the latter offering 30° orientation from the vertical. Zadora downlights are also available in ready-to-install kit versions. Maintenance is made easy by direct lamp access.

#### Benefits

- Halogen accent lighting with the high power of MASTERLine 35 mm and 50 mm dichroic lamps

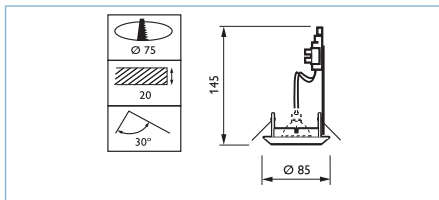
- Adjustable downlights with beam widths of 8°, 24°, 36° or 60° and 30° orientation from the vertical to create exactly the right decorative or accent effects
- Also available in complete, ready-to-install kit versions


#### Features

- Available in fixed and adjustable versions
- MASTERLine 35 mm and 50 mm dichroic lamps and Twistline Alu lamps
- Wide choice of beam widths
- Also available in complete, ready-to-install kit versions

#### Application

- Retail
- Offices



Commercial product name		Net Trade Price per Piece (€ net)	National Discount Group	Material Nr. (12NC)	EAN-1
QBD570 1xHAL-MR50-45W 12V BR ALU	10	5,70	P2	910502538718	8711559573311
QBD570 1xHAL-MR50-45W 12V BR CR	10	5,70	P2	910502538518	8711559573298
QBD570 1xHAL-MR50-45W 12V BR GR	10	5,70	P2	910502539418	8711559573342
QBD570 1xHAL-MR50-45W 12V BR MAT	10	5,70	P2	910502539318	8711559573335
QBD570 1xHAL-MR50-45W 12V BR WH	10	5,00	P2	910502538418	8711559573281



## Zadora, fixed

**Zadora – free to create**

Zadora is a range of recessed downlights for MASTERLine 35 and 50 mm dichroic halogen lamps (with beams of 8°, 24°, 36° and 60°) and Twistline Alu lamps. It is available in fixed and adjustable versions, the latter offering 30° orientation from the vertical. Zadora downlights are also available in ready-to-install kit versions. Maintenance is made easy by direct lamp access.

**Benefits**

- Halogen accent lighting with the high power of MASTERLine 35 mm and 50 mm dichroic lamps

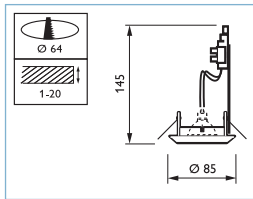
- Fixed downlights with beam widths of 8°, 24°, 36° or 60° to create exactly the right decorative or accent effects
- Also available in complete, ready-to-install kit versions


**Features**

- Available in fixed and adjustable versions
- MASTERLine 35 mm and 50 mm dichroic lamps and Twistline Alu lamps
- Wide choice of beam widths

**Application**

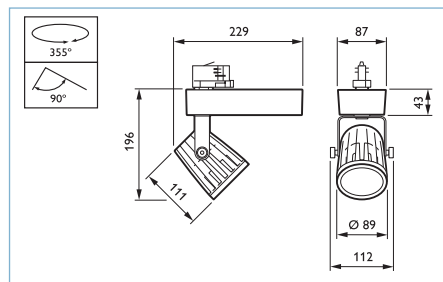
- Office
- Retail

**Commercial product name**

		Net Trade Price per Piece (€ net)	National Discount Group	Material Nr. (12NC)	EAN - 1
QBS570 1xHAL-MR50-45W 12V BR ALU	10	4,10	P2	9105025 <b>38318</b>	87115595 <b>73236</b>
QBS570 1xHAL-MR50-45W 12V BR CR	10	4,10	P2	9105025 <b>38118</b>	87115595 <b>73212</b>
QBS570 1xHAL-MR50-45W 12V BR MAT	10	4,10	P2	9105025 <b>38918</b>	87115595 <b>73250</b>
QBS570 1xHAL-MR50-45W 12V BR WH	10	4,10	P2	9105025 <b>38018</b>	87115595 <b>73205</b>
QBS570 1xHAL-R40-50WGZ10 K 230V II WH	1	13,30	P2	9105025 <b>40018</b>	87115595 <b>73045</b>



## EcoStyle



### EcoStyle – efficient and affordable

Retailers are looking for an affordable LED accent-lighting solution with a reasonable payback compared to conventional technologies. Now, thanks to EcoStyle, they need look no further. With a LED light source and dedicated reflector system, EcoStyle delivers powerful, good-quality accent lighting, enabling retailers to display their merchandise in the best possible light. For food and fashion retailers, EcoStyle is available with special light recipes to further enhance the store ambiance and to show the produce and goods on offer in the very best light: Fresh Food Champagne is the perfect LED solution for displaying fruit, vegetables, cheese, bread and pastries in a warm lighting ambiance; Fresh Food Meat creates the best light setting for meat enhancement in a cool natural ambiance; CrispWhite is the clear choice for fashion retailers to make colors appear rich and intense while keeping whites bright. The

track-mounted EcoStyle is also available in a choice of black or white finish. And the combination of efficient LED technology and an innovative heatsink ensures that this is a reliable, lasting solution.

#### Benefits


- Short payback compared with CDM luminaires thanks to high level of system efficacy
- High-quality accent lighting thanks to the light signature of the PerfectAccent reflector
- Energy-efficient and low-maintenance thanks to LED technology

#### Features

- High efficacy
- Philips PerfectAccent quality of light
- CDM retrofit track-mounted luminaire
- Clean, robust design
- 5 different light recipes

#### Application

- Retail stores, especially food and fashion

Commercial product name		Net Trade Price per Piece (€ net)	National Discount Group	Material Nr. (12NC)	EAN-1
ST440T LED17S/830 PSU MB BK	1	148,20	P2	910500456841	8718696259108
ST440T LED17S/830 PSU MB WH	1	148,20	P2	910500456845	8718696259146
ST440T LED17S/830 PSU WB BK	1	148,20	P2	910500456843	8718696259122
ST440T LED17S/830 PSU WB WH	1	148,20	P2	910500456847	8718696259160
ST440T LED17S/840 PSU MB BK	1	148,20	P2	910500456842	8718696259115
ST440T LED17S/840 PSU MB WH	1	148,20	P2	910500456846	8718696259153
ST440T LED17S/840 PSU WB BK	1	148,20	P2	910500456844	8718696259139
ST440T LED17S/840 PSU WB WH	1	148,20	P2	910500456848	8718696259177
ST440T LED19S/FMT PSU WB BK	1	158,60	P2	910500457931	8718696853399
ST440T LED19S/FMT PSU WB WH	1	158,60	P2	910500457932	8718696853405
ST440T LED27S/830 PSU MB BK	1	155,10	P2	910500456851	8718696259207
ST440T LED27S/830 PSU MB WH	1	155,10	P2	910500456855	8718696259245
ST440T LED27S/830 PSU WB BK	1	155,10	P2	910500456853	8718696259221
ST440T LED27S/830 PSU WB WH	1	155,10	P2	910500456857	8718696259269
ST440T LED27S/840 PSU MB BK	1	155,10	P2	910500456852	8718696259214
ST440T LED27S/840 PSU MB WH	1	155,10	P2	910500456856	8718696259252
ST440T LED27S/840 PSU WB BK	1	155,10	P2	910500456854	8718696259238
ST440T LED27S/840 PSU WB WH	1	155,10	P2	910500456858	8718696259276
ST440T LED27S/CRW PSU MB BK	1	158,60	P2	910500457933	8718696853412
ST440T LED27S/CRW PSU MB WH	1	158,60	P2	910500457934	8718696853429
ST440T LED35S/830 PSU MB BK	1	162,00	P2	910500456861	8718696259306
ST440T LED35S/830 PSU MB WH	1	162,00	P2	910500456865	8718696259344
ST440T LED35S/830 PSU WB BK	1	162,00	P2	910500456863	8718696259320
ST440T LED35S/830 PSU WB WH	1	162,00	P2	910500456867	8718696259368
ST440T LED35S/840 PSU MB BK	1	162,00	P2	910500456862	8718696259313
ST440T LED35S/840 PSU MB WH	1	162,00	P2	910500456866	8718696259351
ST440T LED35S/840 PSU WB BK	1	162,00	P2	910500456864	8718696259337
ST440T LED35S/840 PSU WB WH	1	162,00	P2	910500456868	8718696259375



## CoreLine Projector



### CoreLine Projector – The clear choice for LED

The CoreLine Projector range of luminaires is designed to replace halogen and CDM-standard-based projectors. Their clean lines and attractive TCO help customers to make the switch to LED. These luminaires create a natural lighting effect for use in accent lighting applications. They also deliver instant energy savings and have a much longer lifetime, creating a real value-for-money and environmentally friendly solution. They are easy to install on a standard track or by means of a surface-mount connector.

#### Benefits

- Reduced operating costs thanks to energy savings and longer lifetime

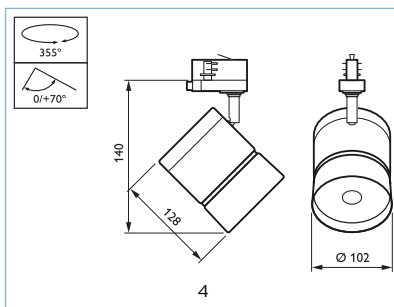
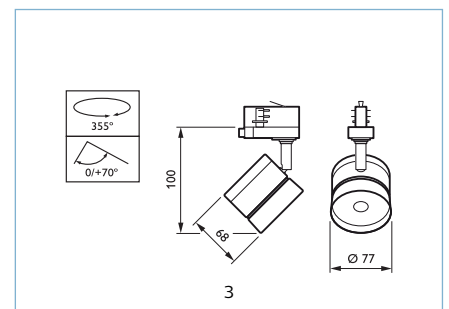
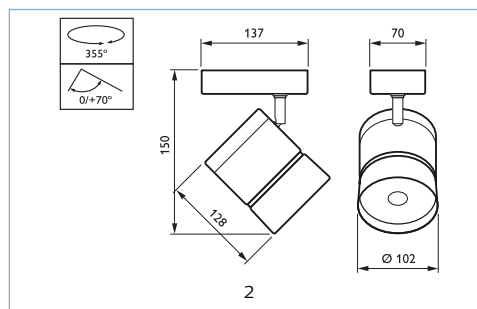
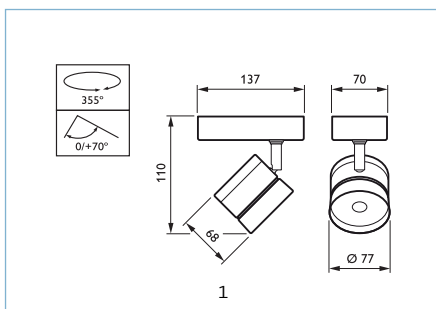
- One-to-one replacement, facilitating the switch from conventional to LED luminaires
- Clean, simple finish ensures they blend discreetly into the store interior


#### Features

- Smooth black finish with matt aluminum swivel
- Available in 800 and 2,400 lumen versions
- Energy-efficient: 70 lm/W
- Integrated driver and passive cooling
- Choice of color temperature: 3,000 and 4,000 K

#### Application

- Independent bakeries
- Independent butcher's stores
- Small grocery stores
- Small fashion stores



Commercial product name		Net Trade Price per Piece (€ net)	National Discount Group	mm	Material Nr. (12NC)	EAN-1
ST120C LED8S-24-/830 PSU BK	12	45,20	P2	1	910503910090	8718696069448
ST120C LED8S-24-/840 PSU BK	12	45,20	P2	1	910503910091	8718696069455
ST120C LED24S-24-/830 PSU BK	12	52,40	P2	2	910503910094	8718696069486
ST120C LED24S-24-/840 PSU BK	12	52,40	P2	2	910503910095	8718696069493
ST120T LED8S-24-/830 PSU BK	12	45,20	P2	3	910503910088	8718696069424
ST120T LED8S-24-/840 PSU BK	12	45,20	P2	3	910503910089	8718696069431
ST120T LED24S-24-/830 PSU BK	12	52,40	P2	4	910503910092	8718696069462
ST120T LED24S-24-/840 PSU BK	12	52,40	P2	4	910503910093	8718696069479

### 3-circuit Square RCS750



#### RCS750 3-circuit square track system – flexible and multifunctional

The RCS750 3-circuit square track system is made up of a solid aluminum track available in lengths of 1, 2, 3 and 4 m with four electrical conductors. Any given configuration can be created easily: horizontal or vertical, mounted on or in the ceiling, on the wall or on free-standing panels. The system can also be used as a floating structure. All luminaires have a separate power supply and can be switched selectively. They can be moved easily to change the lighting and presentation. In this way, a multifunctional track system can be created for accent lighting as well as for suspending advertising and decorative material. A range of adaptors, power supply connections and mounting accessories is also available.

#### Benefits

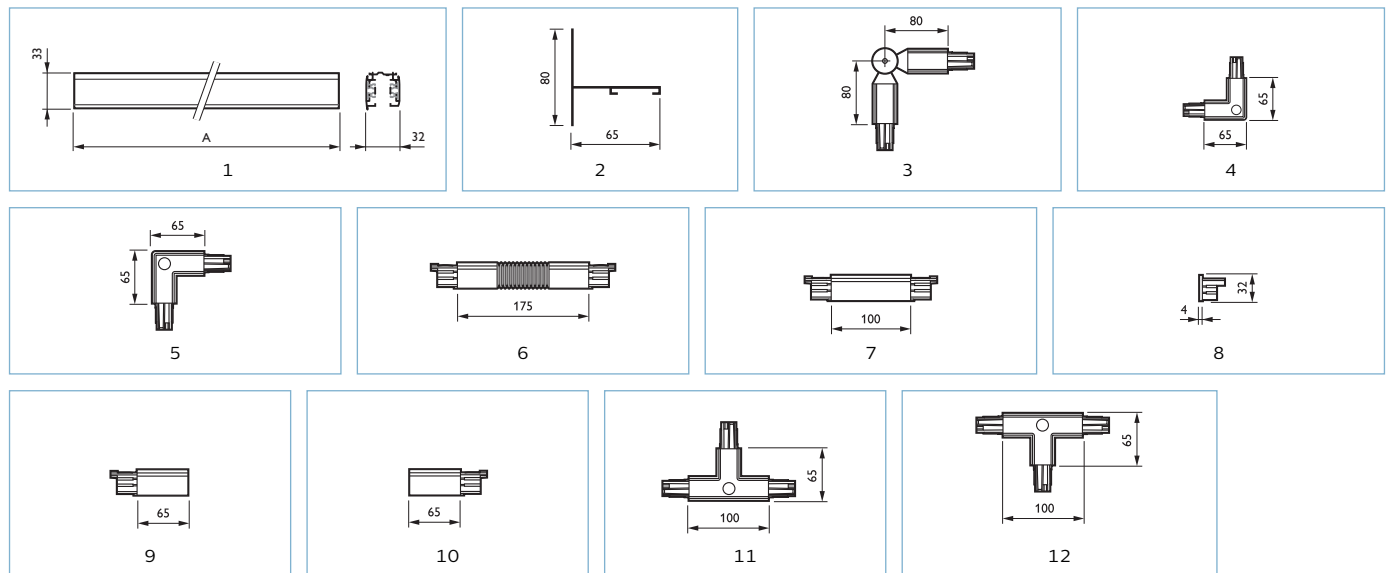
- Flexible 3-circuit track system for the professional user, allowing any required configuration to be created relatively easily
- All luminaires have separate power switching so they can easily be moved, for example to create changing atmospheres in shop windows or interiors
- Can be applied as a 'floating' structure using the suspension tubes and clamps provided


#### Features

- Can be used with all Philips LED 3C track spots
- Available in lengths of 1, 2, 3 and 4 m
- Available in three finishes – white, black, aluminum
- Range of adaptors, power supply connections and mounting accessories available

#### Application

- Retail
- Indoor architectural lighting



Commercial product name		Net Trade Price per Piece (€ net)	National Discount Group	mm	Material Nr. (12NC)	EAN - 1
RCS750 3C L1000 ALU (XTS4100-1)	1	27,80	P3	1	910500188415	8711559381060
RCS750 3C L1000 BK (XTS4100-2)	1	27,80	P3	1	910930013218	8711559798516
RCS750 3C L1000 WH (XTS4100-3)	1	27,80	P3	1	910500188815	8711559381107
RCS750 3C L2000 ALU (XTS4200-1)	1	51,20	P3	1	910500188515	8711559381077
RCS750 3C L2000 BK (XTS4200-2)	1	51,20	P3	1	910930013318	8711559798523
RCS750 3C L2000 WH (XTS4200-3)	1	51,20	P3	1	910500188915	8711559381114
RCS750 3C L3000 ALU (XTS4300-1)	1	69,40	P3	1	910500188615	8711559381084
RCS750 3C L3000 BK (XTS4300-2)	1	69,40	P3	1	910930013418	8711559798530
RCS750 3C L3000 WH (XTS4300-3)	1	69,40	P3	1	910500189015	8711559381121
RCS750 3C L4000 ALU (XTS4400-1)	1	90,80	P3	1	910500188715	8711559381091
RCS750 3C L4000 BK (XTS4400-2)	1	90,80	P3	1	910930013518	8711559798547
RCS750 3C L4000 WH (XTS4400-3)	1	90,80	P3	1	910500189115	8711559381138
ZRS700 SCP ALU SUSP CLAMP (SKB12-1)	20	2,70	P3	2	910930009618	8711559149851
ZRS700 SCP WH SUSP CLAMP (SKB12-3)	20	2,70	P3	2	910930009718	8711559149868
ZRS700 SMC WH SUSP CAP (SKB30-3)	10	2,90	P3	2	910930009818	8711559149875
ZRS700 SMS SUSP SET L1500 (SKB34-1)	10	7,30	P3	2	910930009918	8711559149882
ZRS700 SPC ALU SUSP CLAMP (SKB16-1)	20	2,90	P3	2	914770011815	8711559325279
ZRS700 SPCL ALU SUSP CLAMP L (SKB18-1)	10	7,30	P3	2	914770011915	8711559325309
ZRS750 ACP WH (XTS24-3)	5	46,40	P3	3	910500188315	8711559381367
ZRS750 CCPE BK (XTS35-2)	5	33,30	P3	4	910502558818	8711559141527
ZRS750 CCPE WH (XTS35-3)	5	33,30	P3	4	910500187915	8711559381282

More data see next page

Commercial product name		Net Trade Price per Piece (€ net)	National Discount Group		Material Nr. (12NC)	EAN - 1
ZRS750 CCPI BK (XTS34-2)	5	33,30	P3	5	910502558918	8711559141534
ZRS750 CCPI WH (XTS34-3)	5	33,30	P3	5	910500187815	8711559381268
ZRS750 CPF BK (XTS23-2)	5	57,20	P3	6	910930013618	8711559798554
ZRS750 CPF WH (XTS23-3)	5	57,20	P3	6	910500187515	8711559381206
ZRS750 CPS BK (XTS14-2)	5	23,60	P3	7	910502559118	8711559141558
ZRS750 CPS WH (XTS14-3)	5	23,60	P3	7	910500187615	8711559381220
ZRS750 EP BK (XTS41-2)	10	1,80	P3	8	910502558618	8711559141503
ZRS750 EPSL BK (XTS11-2+41-2)	10	12,10	P3	9	910502558518	8711559141497
ZRS750 EPSR BK (XTS12-2+41-2)	10	12,10	P3	10	910502558418	8711559141480
ZRS750 EPSR WH (XTS12-3+41-3)	10	12,10	P3	10	910500187315	8711559381169
ZRS750 EP WH (XTS41-3)	10	1,80	P3	8	910500187715	8711559381244
ZRS750 ICP BK (XTS21-2)	10	7,50	P3		910502558718	8711559141510
ZRS750 ICP WH (XTS21-3)	10	7,50	P3		910500187415	8711559381183
ZRS750 TCPL WH (XTS39-3)	5	47,10	P3	11	910500188115	8711559381329
ZRS750 TCPR WH (XTS36-3)	5	47,10	P3	12	910500188015	8711559381305



## CoreLine Highbay



### CoreLine High-bay G3 – superior light quality and lower energy and maintenance costs

Following the successful introduction of the CoreLine High-bay in 2013, the upgrade to a new generation further improves the total cost of ownership and provides optionally DALI dimming for even further savings. Designed as a replacement for HPI 250/400 W luminaires, CoreLine High-bay G3 offers customers all the benefits of LED lighting – fresh light quality, longer service lifetime, reduced energy consumption and less maintenance – from a trusted manufacturer. At the same time, it delivers clear benefits for the installer too. The luminaire can be installed on the existing grid. Electrical connection is straightforward: there is no need to open the luminaire for installation

or servicing. And being smaller and lighter than conventional luminaires, it is very easy to handle.

#### Benefits

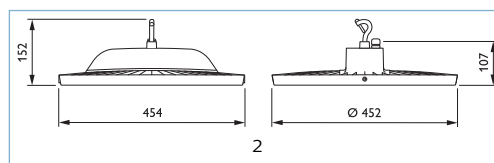
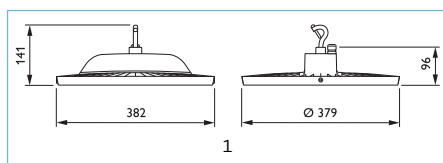
- Simple point-to-point replacement for 250 and 400 W HPI high-bay luminaires
- Energy savings up to 69%
- Significant reduction in maintenance

#### Features

- High efficiency: 125 lumens per watt
- Consistent color rendering (CRI = 80) in compliance with EN 12464-1
- Lifetime of 50,000 hours

#### Application

- Industry
- Warehouses
- Exhibition halls



Commercial product name		Net Trade Price per Piece (€ net)	National Discount Group	mm	Material Nr. (12NC)	EAN-1
<b>N</b> BY120P G3 LED105S/840 PIR WB GR	1	334,00	P3	1	911401571141	8710163317168
BY120P G3 LED105S/840 PSD WB GR	1	310,00	P3	1	911401505531	8710163301464
BY120P G3 LED105S/840 PSU WB GR	1	274,00	P2	1	911401505331	8710163301440
<b>N</b> BY120P G3 LED105S/865 PIR WB GR	1	335,00	P3	1	911401571541	8710163317175
<b>N</b> BY120P G3 LED105S/865 PSU WB GR	1	277,00	P3	1	911401571041	8710163317120
<b>N</b> BY121P G3 LED205S/840 PIR WB GR	1	445,00	P3	2	911401571241	8710163317144
BY121P G3 LED205S/840 PSD WB GR	1	422,00	P3	2	911401505631	8710163301471
BY121P G3 LED205S/840 PSU WB GR	1	379,00	P2	2	911401505431	8710163301457
<b>N</b> BY121P G3 LED205S/865 PIR WB GR	1	446,00	P3	2	911401571441	8710163317151
<b>N</b> BY121P G3 LED205S/865 PSU WB GR	1	422,00	P3	2	911401571341	8710163317137

**N** = New



## CoreLine Trunking



### CoreLine Trunking – the clear choice for LED

Whether for a new facility or renovation of an existing space, customers want lighting solutions that provide quality of light and substantial energy and maintenance savings. The new CoreLine Trunking range of LED products can be used to replace general lighting. The process of selecting, installing and maintaining is so easy – it's a simple switch.

#### Benefits

- High efficiency enables energy savings of more than 50% compared to fluorescent-based luminaires; attractive investment level and fast payback

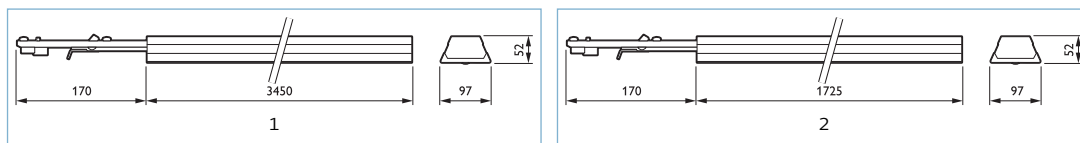
- Good quality of light with high output to meet the requirements of demanding applications
- Easy to order and install, thus requiring less time and reducing packaging waste and complexity



#### Features

- Philips Fortimo LED Line 1R for high efficiency and reliability
- Advanced optics enable precise and energy-saving beam shapes
- Simplicity: only two 12 NC codes needed to make a light line
- Requires much less packaging than fluorescent, reducing total installation time

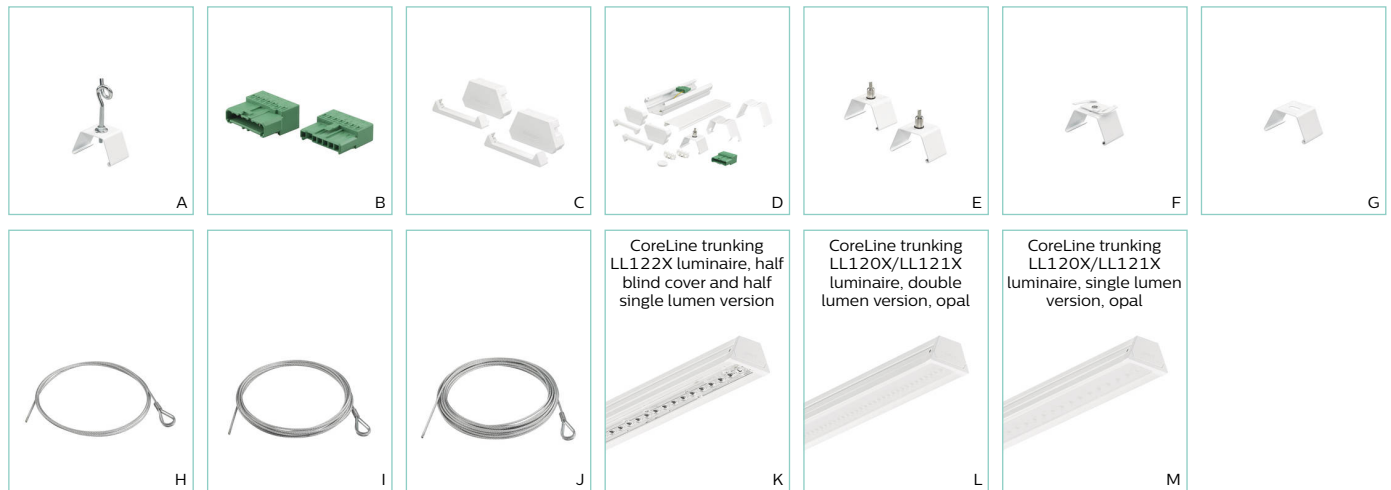
#### Application

- Supermarkets
- Warehouses
- Production facilities



Commercial product name		Net Trade Price per Piece (€ net)	National Discount Group	 mm	Material Nr. (12NC)	EAN - 1
LL120X LED90S/840 PSU DA20 5 WH	1	250,00	P3	1	910925682927	8718291881841
LL120X LED90S/840 PSU MB 5 WH	1	250,00	P3	1	910925682915	8718291881728
LL120X LED90S/840 PSU NB 5 WH	1	250,00	P3	1	910925682908	8718291881667
LL120X LED90S/840 PSU WB 5 WH	1	250,00	P3	1	910925682921	8718291881780
LL120X LED152S/830 2x PSU DA20 5 WH	1	274,00	P3	1	910925863988	8718696381090
LL120X LED152S/830 2x PSU MB 5 WH	1	274,00	P3	1	910925863995	8718696381168
LL120X LED152S/830 2x PSU WB 5 WH	1	274,00	P3	1	910925863983	8718696381045
LL120X LED160S/840 2x PSU DA20 5 WH	1	274,00	P3	1	910925863972	8718696380932
LL120X LED160S/840 2x PSU MB 5 WH	1	274,00	P3	1	910925863970	8718696380918
LL120X LED160S/840 2x PSU NB 5 WH	1	274,00	P3	1	910925863975	8718696380963
LL120X LED160S/840 2x PSU WB 5 WH	1	274,00	P3	1	910925863967	8718696380888
LL120X LED160S/840 PSU NB SMB WH KIT	1	232,00	P3	1	910925863961	8718696380826
LL120X LED160S/840 PSU NB TW3 SMB WH KIT	1	256,50	P3	1	910925863964	8718696380857
LL120X LED160S/840 PSU WB SMB WH KIT	1	232,00	P3	1	910925863960	8718696380819
LL120X LED160S/840 PSU WB TW3 SMB WH KIT	1	256,50	P3	1	910925863963	8718696380840
LL121X LED45S/840 PSU DA20 5 WH	1	149,00	P3	2	910925682926	8718291881834
LL121X LED45S/840 PSU MB 5 WH	1	149,00	P3	2	910925682914	8718291881711
LL121X LED45S/840 PSU NB 5 WH	1	149,00	P3	2	910925682955	8718291884354
LL121X LED45S/840 PSU WB 5 WH	1	149,00	P3	2	910925682920	8718291881773
LL121X LED76S/830 1x PSU DA20 5 WH	1	162,00	P3	2	910925864032	8718696381526
LL121X LED76S/830 1x PSU MB 5 WH	1	162,00	P3	2	910925864012	8718696381328
LL121X LED76S/830 1x PSU WB 5 WH	1	162,00	P3	2	910925863980	8718696381014
LL121X LED80S/840 1x PSU DA20 5 WH	1	162,00	P3	2	910925863993	8718696381144
LL121X LED80S/840 1x PSU MB 5 WH	1	162,00	P3	2	910925863982	8718696381038
LL121X LED80S/840 1x PSU NB 5 WH	1	162,00	P3	2	910925864007	8718696381274
LL121X LED80S/840 1x PSU WB 5 WH	1	162,00	P3	2	910925863973	8718696380949
LL121X LED80S/840 PSU NB SMB WH KIT	1	128,30	P3	2	910925863958	8718696380796
LL121X LED80S/840 PSU NB TW3 SMB WH KIT	1	155,00	P3	2	910925863962	8718696380833
LL121X LED80S/840 PSU WB SMB WH KIT	1	128,30	P3	2	910925863957	8718696380789
LL121X LED80S/840 PSU WB TW3 SMB WH KIT	1	155,00	P3	2	910925863959	8718696380802





Commercial product name	CE mark	Photo letter	Numerator - Packs per outer box	Material Nr. (12NC)	Net Trade Price per Piece (€)	National Discount Group
LL120Z CB WH (5PCS)		A	6	910925255042	10,30	P3
LL120Z EC7 - M - F (5PCS)		B	6	910925255041	27,10	P3
LL120Z EP WH (6PCS)		C	6	910925255043	8,20	P3
LL120Z MB-SW 2xEP CU7 WH		D	1	910925255036	24,10	P3
LL120Z MB-SW WH (2PCS)		E	6	910925255035	14,90	P3
LL120Z PB WH (5PCS)		F	6	910925255044	15,50	P3
LL120Z SMB-TPM SET			200	910925863244	3,20	P2
LL120Z SMB WH (5PCS)		G	6	910925255037	12,60	P3
LL120Z SW2 - 1,250		H	50	910925255038	6,80	P3
LL120Z SW2 - 3,000		I	40	910925255039	8,30	P3
LL120Z SW2 - 5,000		J	30	910925255040	9,50	P3
LL121X 7 WH BC	CE mark	K-M	1	910925682907	71,00	P3



## Pentura Mini LED



### Pentura Mini LED – ultra-slim batten

Pentura Mini LED is an extremely slim batten that offers the energy-saving benefits of LED technology, coupled with excellent lighting performance – bright, uniform light with good color rendering. Pentura Mini LED is very easy to install, even where space is limited, e. g. under shelves in shops, and over worktops and workstations in the home and home office. Thanks to its integrated driver and through-wiring, installation time is reduced to a minimum. Power cable, mounting clips and connection accessories are also supplied. Translucent end-caps eliminate black spots between the products, enabling consumers to create a continuous light-line.

#### Benefits

- Ultra-slim LED batten

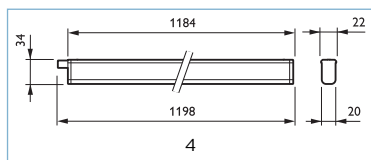
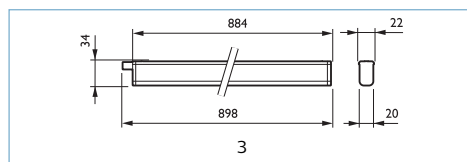
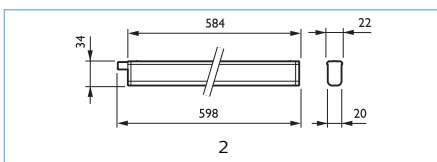
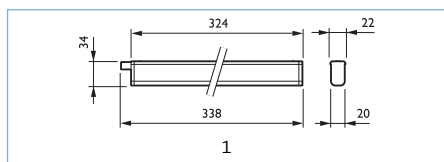
- Energy-saving and long life benefits of LED technology
- Easy to install; complete kit of accessories supplied

#### Features

- Minimalistic, unobtrusive design
- Integrated driver and through wiring
- Polycarbonate housing
- Choice of 3,000 and 4,000 K color temperature
- Available in 300, 600, 900 and 1,200 mm lengths
- Non-trunkable version with on/off switch available

#### Application

- Cove lighting
- Under-cabinet lighting
- Under-shelf lighting
- Under-counter lighting



Commercial product name		Net Trade Price per Piece (€ net)	National Discount Group	mm	Material Nr. (12NC)	EAN-1
BN132C LED3S/830 PSU L300	24	7,00	P7	1	910503910163	8718696072509
BN132C LED3S/840 PSU L300	24	7,00	P7	1	910503910162	8718696072493
BN132C LED6S/830 PSU L600	24	10,60	P7	2	910503910161	8718696072486
BN132C LED6S/840 PSU L600	24	10,60	P7	2	910503910160	8718696072479
BN132C LED9S/830 PSU L900	24	13,90	P7	3	910503910159	8718696072462
BN132C LED9S/840 PSU L900	24	13,90	P7	3	910503910158	8718696072455
BN132C LED12S/830 PSU L1200	24	15,70	P7	4	910503910157	8718696072448
BN132C LED12S/840 PSU L1200	24	15,70	P7	4	910503910156	8718696072431
BN133C LED6S/830 PSU L600	24	10,50	P7	2	910503910165	8718696072523
BN133C LED6S/840 PSU L600	24	10,50	P7	2	910503910164	8718696072516

★ = First choice



Commercial product name	CE mark	Numerator - Packs per outer box	Material Nr. (12NC)	Net Trade Price per Piece (£)	National Discount Group
BN132Z CCPA (10 PCS)	CE mark	10	910503910166	8,72	P7



## Ledinaire Batten BN060C



### Ledinaire Batten – Simply great LED

The Ledinaire range contains a selection of popular off-the-shelf LED luminaires that comes with the high Philips quality levels at a competitive price. Reliable, energy efficient and affordable – just what you need.

#### Benefits

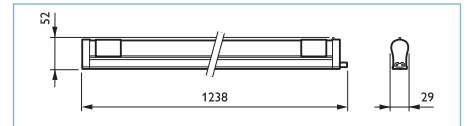
- Philips quality and reliability
- Energy saving
- Compact design


#### Features

- One and two lamp version available (lamps included)
- Light line up to ten batten
- Mounting accessories included

#### Application

- General lighting
- Storage rooms
- Cove lighting



Commercial product name		Net Trade Price per Piece (€ net)	National Discount Group	Material Nr. (12NC)	EAN-1
BN060C 1xTLED16/840 L1200	12	21,00	P7	910503910118	8718696070079
BN060C 2xTLED16/840 L1200	12	35,80	P7	910503910119	8718696070093

## CoreLine Batten



### CoreLine Batten – the clear choice for LED

Whether for a new building or renovation of an existing space, customers want lighting solutions that provide quality of light and substantial energy and maintenance savings. The new CoreLine Batten range of LED products can be used to replace traditional battens with fluorescent lamps. The process of selecting, installing and maintaining is so easy – it's a simple switch.

#### Benefits

- Up to 50% energy savings compared with TL-D
- Reliable LED technology – maintenance-free

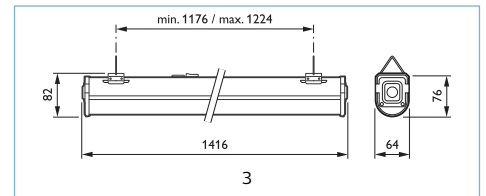
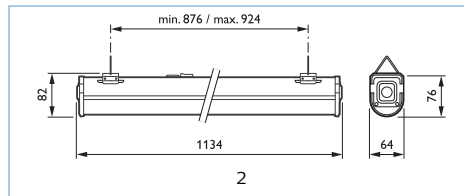
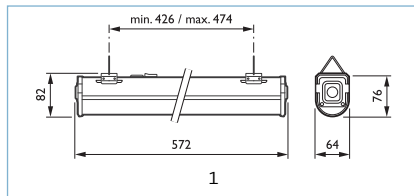
- Direct replacement for conventional battens in terms of light performance, installation flexibility and length


#### Features

- Reliable integrated LED technology, ensuring maintenance-free installation and a long lifetime
- Can be used to replace traditional 2x18W, 2x36W & 2x58W TL-D battens
- Through-wiring standard included
- Frosted diffuser ensures visual comfort

#### Application

- General area lighting
- Cove lighting
- Assembly lines



Commercial product name		Net Trade Price per Piece (€ net)	National Discount Group	mm	Material Nr. (12NC)	EAN-1
BN124C LED19S/830 PSU TW1 L600	8	41,00	P2	1	910503910278	8718696074732
BN124C LED21S/840 PSU TW1 L600	8	41,00	P2	1	910503910277	8718696074725
BN124C LED38S/830 PSU TW1 L1200	8	59,00	P2	2	910503910280	8718699380007
BN124C LED41S/840 PSU TW1 L1200	8	59,00	P2	2	910503910279	8718696074749
BN124C LED60S/830 PSU TW1 L1500	6	72,00	P2	3	910503910282	8718699380021
BN124C LED64S/840 PSU TW1 L1500	6	72,00	P2	3	910503910281	8718699380014

## Pentura Mini



### Pentura Mini – ultra-slim decorative batten

Pentura Mini TCH128 is an ultra-slim decorative batten for domestic applications. A cost-effective, ready-to-install mini fluorescent solution. Pentura Mini TCH128 offers the energy-saving benefits of miniature fluorescent lamp technology coupled with lightweight electronics and a patented internal reflector for improved lighting performance. The batten is easy to install e. g. over work-tops and workstations in the home, home office and recreational environments, etc. it provides bright light where needed even where installation space is limited. Pentura Mini TCH128 battens are fitted with lamp, tough polycarbonate diffuser and all fixing accessories, reducing installation time to a minimum. The battens are through-wired with removeable end-caps at both ends covering the push-button connection blocks for simple connection and through-wiring.

#### Benefits

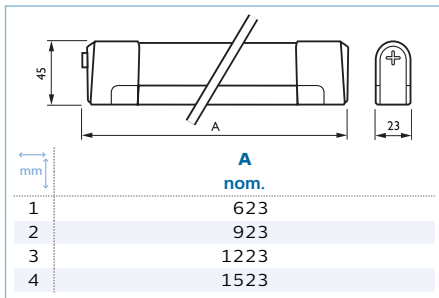
- Ultra-slim decorative batten providing a cost-effective, ready-to-install mini fluorescent solution for domestic use
- The energy-saving benefits of miniature fluorescent lamp technology with lightweight electronics and a patented internal reflector for improved lighting performance
- Easy to install to provide bright light where needed, even if installation space is limited

#### Features

- Miniature fluorescent lamp technology
- Patented internal reflector
- Polycarbonate diffuser
- Push-button connection blocks

#### Application

- Home lighting
- Undershef lighting
- Task lighting



Commercial product name		National Lamp Fee <sup>1</sup>	Net Trade Price per Piece (€ net)	National Discount Group		Material Nr. (12NC)	EAN-1
TCH128 1xTL5-14W/830 HF	16	fee relevant	12,80	P1	1	910502537418	8711559148526
TCH128 1xTL5-14W/840 HF	16	fee relevant	12,80	P1	1	910502537318	8711559148519
TCH128 1xTL5-21W/830 HF	16	fee relevant	14,00	P1	2	910502537618	8711559148540
TCH128 1xTL5-21W/840 HF	16	fee relevant	14,00	P1	2	910502537518	8711559148533
TCH128 1xTL5-28W/830 HF	16	fee relevant	15,60	P1	3	910502537818	8711559148564
TCH128 1xTL5-28W/840 HF	16	fee relevant	15,60	P1	3	910502537718	8711559148557
TCH128 1xTL5-35W HF	16		19,30	P1	4	910503609918	8711559815176

<sup>1</sup> Product fee relevant according local regulation

## Pentura Mini CC



### Pentura Mini CC – brighten your workload

Pentura Mini CC TCH129 is an ultra-slim decorative batten for domestic applications. This cost-effective, ready-to-install solution offers the energy-saving benefits of miniature fluorescent lamp technology coupled with lightweight electronics and a patented internal reflector for improved lighting performance. Pentura Mini CC TCH129 is fitted with plug-and-socket connections and an on/off switch for individual operation over worktops and workstations in the home, home office and recreational environments.

#### Benefits

- Ultra-slim decorative batten providing a cost-effective, ready-to-install mini fluorescent solution for domestic use

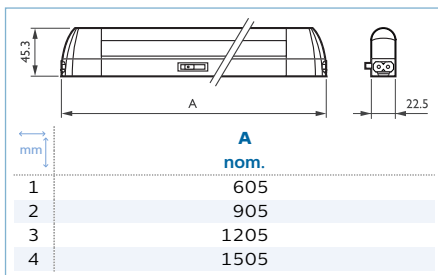
- The energy-saving benefits of miniature fluorescent lamp technology with lightweight electronics and a patented internal reflector for improved lighting performance
- Easy to install to provide bright light where needed, even if installation space is limited

#### Features

- Miniature fluorescent lamp technology
- Patented internal reflector
- Polycarbonate diffuser
- Push-button connection blocks

#### Application

- Home lighting
- Undershef lighting
- Task lighting



Commercial product name		National Lamp Fee <sup>1</sup>	Net Trade Price per Piece (€ net)	National Discount Group	 mm	Material Nr. (12NC)	EAN-1
TCH129 1xTL5-14W/830 HF	16	fee relevant	14,00	P1	1	910502545918	8711559008745
TCH129 1xTL5-14W/840 HF	16	fee relevant	14,00	P1	1	910502545818	8711559008738
TCH129 1xTL5-21W/830 HF	16	fee relevant	16,30	P1	2	910502546718	8711559008769
TCH129 1xTL5-21W/840 HF	16	fee relevant	16,30	P1	2	910502546618	8711559008752
TCH129 1xTL5-28W/830 HF	16	fee relevant	18,80	P1	3	910502546918	8711559008783
TCH129 1xTL5-28W/840 HF	16	fee relevant	18,80	P1	3	910502546818	8711559008776
TCH129 1xTL5-35W HF	16		24,30	P1	4	910503610018	8711559815183

<sup>1</sup> Product fee relevant according local regulation

## Lineco TMS022



### Lineco – an economical choice

Lineco TMS022 is a functional and economical surface-mounted batten for 1 or 2 TL-D fluorescent lamps. It offers a choice of two optics, for symmetrical and asymmetrical lighting. Installation is quick and tool-less and can be carried out single-handedly. The repositionable contact block enables flexible connection (with cable entry centrally or via the end caps). A wide range of snap-on attachments is available.

#### Benefits

- An economical choice, with a functional surface-mounted batten for 1 or 2 TL-D fluorescent lamps

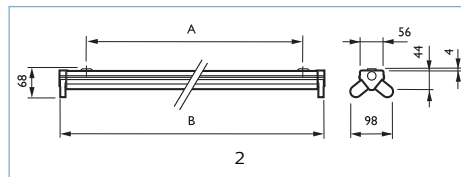
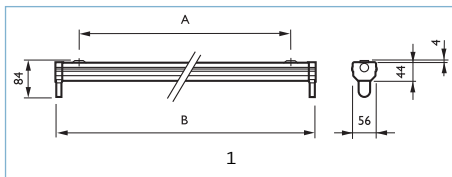
- Choice of optics for symmetrical or asymmetrical light distribution
- Quick, tool-less installation can be carried out single-handedly



#### Features

- Choice of one or two TL-D fluorescent lamps
- Choice of symmetrical or asymmetrical optics
- Quick, tool-less installation
- Repositionable contact block
- Wide range of snap-on attachments

#### Application

- Retail
- Industry



Commercial product name		Net Trade Price per Piece (€ net)	National Discount Group	 mm	Material Nr. (12NC)	EAN-1
TMS022 1xTL-D18W HF	12	14,20	P1	1	910925850003	8718291045373
TMS022 1xTL-D18W HFS	12	21,60	P1	1	910402201603	8711559118703
TMS022 1xTL-D30W HF	12	18,30	P1	1	910925850203	8718291045397
TMS022 1xTL-D30W HFS	12	20,00	P1	1	910402219303	8718291046998
TMS022 1xTL-D36W HF	12	15,10	P1	1	910402269403	8718291045311
TMS022 1xTL-D36W HFS	12	20,20	P1	1	910402207403	8711559135564
TMS022 1xTL-D58W HF	9	17,70	P1	1	910402269603	8718291045335
TMS022 1xTL-D58W HFS	9	20,60	P1	1	910402207503	8711559135588
TMS022 2xTL-D18W HF	12	17,20	P1	2	910925850103	8718291045380
TMS022 2xTL-D18W HFS	12	25,90	P1	2	910402218903	8718291046981
TMS022 2xTL-D36W HF	9	19,30	P1	2	910402269503	8718291045328
TMS022 2xTL-D36W HFS	9	22,20	P1	2	910402207603	8711559135601
TMS022 2xTL-D36W HF SH	9	20,60	P1	2	910402269803	8718291045359
TMS022 2xTL-D58W HF	6	22,20	P1	2	910402269703	8718291045342
TMS022 2xTL-D58W HFS	6	23,40	P1	2	910402207703	8711559135625
TMS022 2xTL-D58W HF SH	6	23,40	P1	2	910402269903	8718291045366



Commercial product name	Photo letter	Numerator - Packs per outer box	Material Nr. (12NC)	Net Trade Price per Piece (€)	National Discount Group
GMS022 1 18 R-A	A	5	910400620918	5,20	P1
GMS022 1 36 R-A	A	5	910400620718	6,20	P1
GMS022 1 58 R-A	A	5	910400620818	7,10	P1
GMS022 1/2 18 R	B	5	910400620418	5,70	P1
GMS022 1/2 36 C	C	5	910402204803	13,10	P1
GMS022 1/2 36 R	B	5	910400620518	6,80	P1
GMS022 1/2 58 C	C	5	910402200003	15,10	P1
GMS022 1/2 58 R	B	5	910400620618	8,00	P1

## Ledinaire Waterproof WT060C



### Ledinaire Waterproof – Simply great LED

The Ledinaire range contains a selection of popular off-the-shelf LED luminaires that comes with the high Philips quality levels at a competitive price. Reliable, energy efficient and affordable – just what you need.

#### Benefits

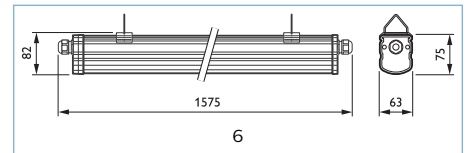
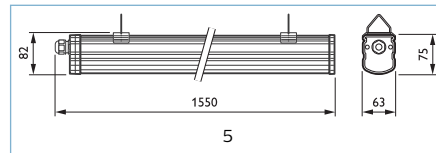
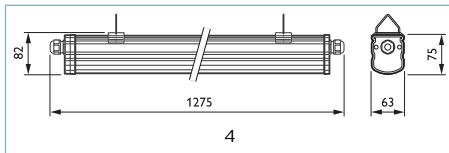
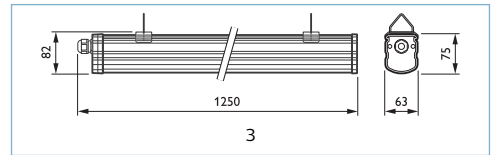
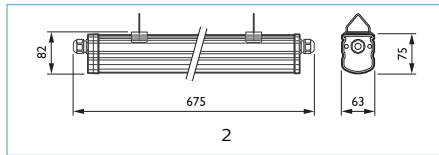
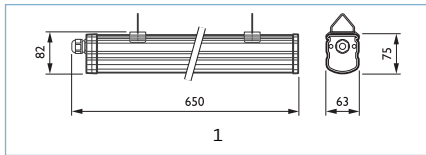
- Philips quality and reliability
- Energy saving
- Diffuse comfortable light

#### Features

- Robust (IK08) and waterproof (IP65) luminaire
- Multiple lengths and light levels available
- Mounting bracket can be positioned over full length of luminaire

#### Application

- Covered car parks
- Industrial halls (up to 4 m in height)
- (Cold) storage rooms



#### Commercial product name



Net Trade Price per Piece  
(€ net)

National Discount Group

mm

Material Nr. (12NC)

EAN-1

WT060C LED18S/840 PSU L600	12	21,80	P7	1	910503910293	8718699380090
WT060C LED18S/840 PSU TW1 L600	12	25,30	P7	2	910503910294	8718699380106
WT060C LED36S/840 PSU L1200	12	31,40	P7	3	910503910295	8718699380113
WT060C LED36S/840 PSU TW1 L1200	12	34,80	P7	4	910503910296	8718699380120
WT060C LED56S/840 PSU L1500	12	38,30	P7	5	910503910297	8718699380137
WT060C LED56S/840 PSU TW1 L1500	12	43,60	P7	6	910503910298	8718699380144

★ = First choice



## CoreLine Waterproof



### CoreLine Waterproof – the clear choice for LED

Whether for a new building or renovation of an existing space, customers want lighting solutions that provide quality of light and substantial energy and maintenance savings. The new CoreLine Waterproof range of LED products can be used to replace traditional waterproof luminaires with fluorescent lamps. The process of selecting, installing and maintaining is so easy – it's a simple switch.

#### Benefits

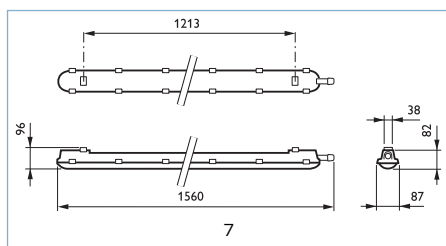
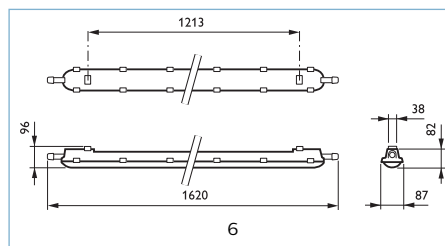
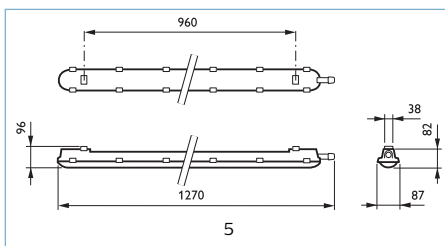
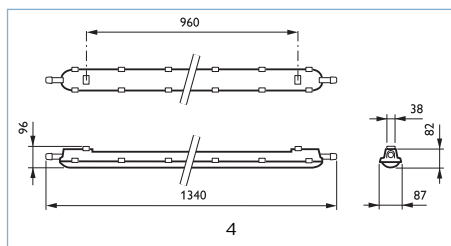
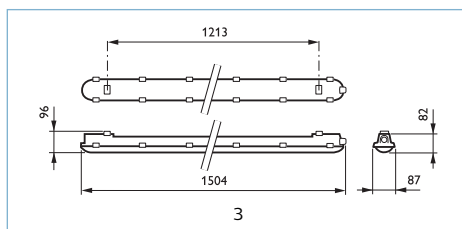
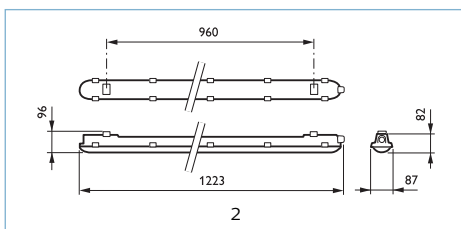
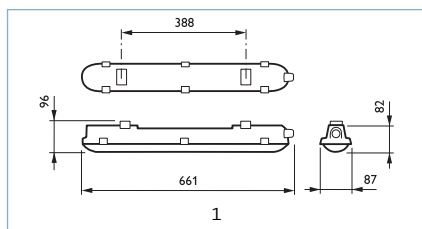
- Up to 64% energy savings compared with TL-D
- Reliable LED technology, ensuring maintenance-free installation and a long lifetime
- Direct replacement for conventional water-proof luminaires in terms of light performance, installation flexibility and length



#### Features

- Can be used to replace traditional waterproof luminaires ranging from 18 to 58 W TL-D
- Wide-beam light distribution
- Diffuser with optical element ensures visual comfort
- Ceiling-mounted bracket and suspension hooks included; installation can be made vandal-proof by additional screw fixation of mounting brackets
- Vandal-proof by additional screw fixation of mounting brackets
- Optional waterproof external connector for easier installation (WEC)
- Optional emergency lighting

#### Application

- Parking garages
- Warehouses
- General lighting



Commercial product name		Net Trade Price per Piece (€ net)	National Discount Group	 mm	Material Nr. (12NC)	EAN-1
WT120C LED18S/840 PSD L600	1	87,00	P2	1	910500458243	8718696883068
WT120C LED18S/840 PSU L600	1	59,00	P2	1	910500453335	8718291840459
WT120C LED22S/840 PSD L1200	1	100,00	P2	2	910500458244	8718696883075
WT120C LED22S/840 PSU L1200	1	74,00	P2	2	910500453336	8718291840466
WT120C LED34S/840 PSD L1500	1	118,00	P2	3	910500458245	8718696883082
WT120C LED34S/840 PSU L1500	1	90,00	P2	3	910500453337	8718291840473
WT120C LED40S/840 PSD L1200	1	105,00	P2	2	910500458246	8718696883099
WT120C LED40S/840 PSU L1200	1	82,00	P2	2	910500453338	8718291840480
WT120C LED40S/840 PSU TW1 WEC L1200	1	83,00	P2	4	910500459301	8718699163174
WT120C LED40S/840 PSU WEC L1200	1	79,00	P2	5	910500459299	8718699163167
WT120C LED60S/840 PSD L1500	1	118,00	P2	3	910500458247	8718696883105
WT120C LED60S/840 PSU L1500	1	93,00	P2	3	910500453339	8718291840497
WT120C LED60S/840 PSU TW1 WEC L1500	1	93,00	P2	6	910500459303	8718699163198
WT120C LED60S/840 PSU WEC L1500	1	92,00	P2	7	910500459302	8718699163181





## TCW060



### Waterproof TCW060 – just light

Designed for use in demanding environments, TCW060 is an economical, compact waterproof luminaire. Dedicated versions are available for TL-D and TL5 lamps. Ingress-protected to a level of IP65 and operating solely on electronic gear, this is a competitive energy-saving solution for wet spaces – at the same cost as an electromagnetic solution. A flexible ceiling clip facilitates easy installation and maintenance.

#### Benefits

- Economical, compact waterproof luminaire designed for use in demanding environments

- Operating solely on electronic gear, this is a competitive energy-saving solution for wet spaces at the same cost as a standard electromagnetic solution
- Dedicated versions available for TL5 and TL-D lamps

#### Features

- Dedicated versions for TL-D and TL5 lamps
- IP65
- Electronic gear
- Flexible ceiling clip

#### Application

- Wet environments
- Light industry
- Parking garages

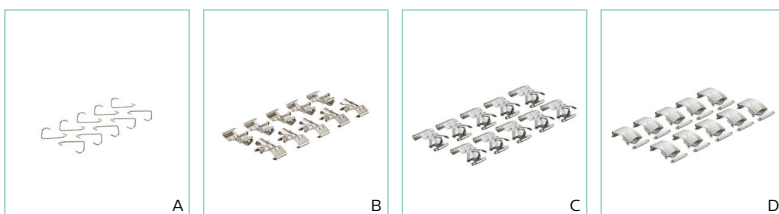
mm	A nom.	B nom.
1	350	660
2	900	1270
3	1200	1570

mm	A nom.	B nom.
4	800	1215
5	1000	1515

mm	A nom.	B nom.
6	350	660
7	900	1270
8	1200	1570

mm	A nom.	B nom.
9	800	1215
10	1000	1515

Commercial product name		Net Trade Price per Piece (€ net)	National Discount Group	mm	Material Nr. (12NC)	EAN-1
TCW060 1xTL-D18W EB	12	17,90	P1	1	910503695918	8717943897735
TCW060 1xTL-D36W EB	9	21,80	P1	2	910503696118	8717943897759
TCW060 1xTL-D36W HF	9	23,40	P1	2	910503610818	8711559813790
TCW060 1xTL-D58W EB	9	29,60	P1	3	910503696318	8717943897773
TCW060 1xTL-D58W HF	9	31,00	P1	3	910503611018	8711559813813
TCW060 1xTL5-28W HF	12	27,10	P1	4	910503611218	8711559813837
TCW060 1xTL5-35W HFS	12	28,90	P1	5	910503611418	8711559813851
TCW060 1xTL5-49W HFS	12	32,10	P1	5	910503667518	8717943891504
TCW060 2xTL-D18W EB	9	21,10	P1	6	910503696018	8717943897742
TCW060 2xTL-D36W EB	6	29,40	P1	7	910503696218	8717943897766
TCW060 2xTL-D58W EB	6	38,10	P1	8	910503696418	8717943897780
TCW060 2xTL5-28W HF	8	30,10	P1	9	910503611318	8711559813844
TCW060 2xTL5-35W HFS	8	37,20	P1	10	910503611518	8711559813868
TCW060 2xTL5-49W HFS	8	39,00	P1	10	910503667618	8717943891511



Type	Photo letter	Numerator - Packs per outer box	Material Nr. (12NC)	Net Trade Price per Piece (€)	National Discount Group
ZCW060 HS (10 PCS)	A	120	910930029318	7,80	P1
ZCW060 TL-D LOC-PL (10 PCS)	B	120	910930029418	1,30	P1
ZCW060 TL-D LOC-SS (10PCS)	C	120	910930025518	2,20	P1
ZCW060 TL5 LOC-SS (10PCS)	D	120	910930025618	2,20	P1

## Cleanroom LED CR250B



### Cleanroom LED CR250B – uniform, reliable, value-for-money solution

In applications where hygiene is crucially important, such as hospitals and food production facilities, customers want proven IP65 and IP54-rated luminaires that are safe to use and come at an attractive price. This family of fixtures represent true value for money: the Philips LED engine delivers reliable, high-quality light, and the flexible mounting possibilities mean that this family can be used in a wide range of applications. The fixtures are also compliant with all relevant standards (CE, EMC, RoHS).

#### Benefits

- Value-for-money investment

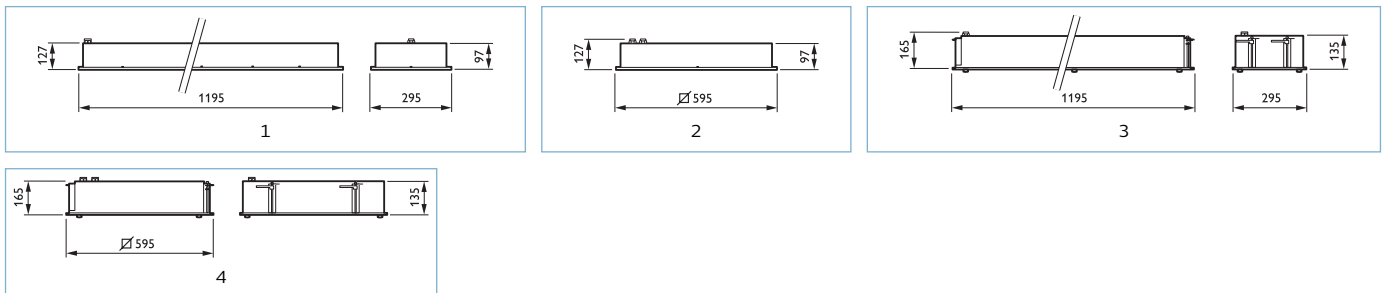
- Low maintenance due to the long lifetime of the luminaire
- Meets light-level requirements for main applications

#### Features

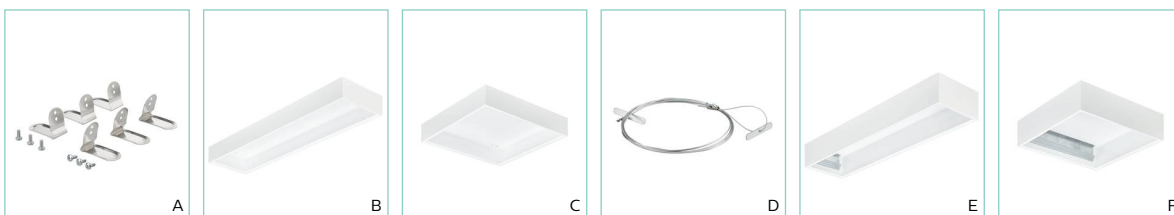
- Uniform surface of light
- IP65 (glass cover) and IP54 (PMMA cover) versions
- Light output 3,500 to 5,500 lm
- Works with different ceiling types
- Class II

#### Application

- Food production facilities and kitchens
- Hospitals and other healthcare facilities
- Clean production areas



Commercial product name		Net Trade Price per Piece (€ net)	National Discount Group	mm	Material Nr. (12NC)	EAN-1
CR150B LED35S/840 PSD W30L120 IP54	1	209,40	P3	1	910503910178	8718696072943
CR150B LED35S/840 PSD W60L60 IP54	1	197,70	P3	2	910503910176	8718696072929
CR150B LED35S/840 PSU W30L120 IP54	1	174,50	P3	1	910503910177	8718696072936
CR150B LED35S/840 PSU W60L60 IP54	1	162,80	P3	2	910503910175	8718696072912
CR250B LED35S/840 PSD W30L120 IP65	1	232,60	P3	3	910503910172	8718696072882
CR250B LED35S/840 PSD W60L60 IP65	1	221,00	P3	4	910503910168	8718696072844
CR250B LED35S/840 PSU W30L120 IP65	1	197,70	P3	3	910503910171	8718696072875
CR250B LED35S/840 PSU W60L60 IP65	1	186,10	P3	4	910503910167	8718696072837
CR250B LED55S/840 PSD W30L120 IP65	1	267,50	P3	3	910503910174	8718696072905
CR250B LED55S/840 PSD W60L60 IP65	1	255,90	P3	4	910503910170	8718696072868
CR250B LED55S/840 PSU W30L120 IP65	1	232,60	P3	3	910503910173	8718696072899
CR250B LED55S/840 PSU W60L60 IP65	1	221,00	P3	4	910503910169	8718696072851



Type	CE mark	Photo letter	Numerator - Packs per outer box	Material Nr. (12NC)	Net Trade Price per Piece (€)	National Discount Group
CR150Z SMB-PLC (6 pieces)	CE mark	A	100	910930030818	11,70	P3
CR150Z SMB W30L120	CE mark	B	1	910930030718	46,40	P3
CR150Z SMB W60L60	CE mark	C	1	910930030618	39,60	P3
CR250Z SC	CE mark	D	100	910930030918	11,70	P3
CR250Z SMB W30L120	CE mark	E	1	910930030518	52,52	P3
CR250Z SMB W60L60	CE mark	F	1	910930030418	46,40	P3



Road, Street and Industry ⇨



Urban City



Bollards and Wall mounted ⇨



Floodlighting ⇨



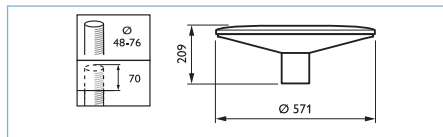
Linear lighting ⇨



Area and recreational ⇨



## TownGuide Core



### TownGuide Core – Easy to choose, easy to use

The TownGuide Core family consists of two recognizable yet modern shapes: Flat Cone and Bowl. Both are available with either a clear or frosted bowl. Offering an extensive range of lumen packages and a choice of color temperatures, as well as a long lifetime and comparatively low power consumption, TownGuide Core is a choice that is easily made. TownGuide Core offers quick and easy installation. Thanks to the bayonet whistle connector located in the spigot, the luminaire does not have to be opened at all, saving valuable labor time. In the development of TownGuide Core, Philips has made every effort to ensure the investment required is as low as possible.

And as TownGuide Core is a dedicated LED luminaire, the energy cost savings compared to conventional lighting are significant, making it a natural choice to replace HPL lamps, which are banned from 2015 onwards.

#### Benefits


- Recognizable yet modern design choices that blend in harmoniously with their surroundings
- State-of-the-art LEDs increase visual comfort for motorists, cyclists and pedestrians
- Considerable reduction in energy usage and carbon footprint compared to conventional lamps such as HPL mercury, SON-T and PL-L compact fluorescent lamps (for example, a reduction of up to 66% compared to HPL mercury)

#### Features

- Dedicated LED luminaire requiring low capital expenditure
- Wide choice of lumen packages, ranging from 2,000 up to 7,000 lumens (ECO)
- Choice of two light colors: 4,000 K (neutral white) or 3,000 K (warm white)
- Lifetime of 70,000 operating hours at L80B10
- Suitable for one-to-one retrofit replacement of luminaires in existing installations
- Bayonet whistle connector for easy installation without opening the luminaire
- Vandal-resistant (IK10), ingress protection (IP66)
- TailorFit PCB technology
- Standard 3-year warranty program

#### Application

- Residential areas: residential streets, cycle paths & footpaths, roundabouts, squares, parks & playgrounds, parking areas
- City centers: side streets, squares, parks & playgrounds, cycle paths & footpaths, roundabouts, parking areas, shopping & pedestrian areas
- Area and Transportation: industrial areas, parking areas, petrol stations, airports, harbors, public transport areas
- Sports: parking areas

Commercial product name		Net Trade Price per Piece (€ net)	National Discount Group	Material Nr. (12NC)	EAN-1
BDP001 ECO30/830 II DS PCC GR 62P	1	257,00	P2	910500991050	8718291909903
BDP001 ECO30/830 II DS PCF GR 62P	1	257,00	P2	910500991053	8718291909934
BDP001 ECO30/840 II DS PCC GR 62P	1	257,00	P2	910500991038	8718291909781
BDP001 ECO30/840 II DS PCF GR 62P	1	257,00	P2	910500991041	8718291909811
BDP001 ECO50/830 II DS PCC GR 62P	1	280,00	P2	910500991051	8718291909910
BDP001 ECO50/830 II DS PCF GR 62P	1	280,00	P2	910500991004	8718291906032
BDP001 ECO50/830 II DW PCC GR 62P	1	280,00	P2	910500991045	8718291909859
BDP001 ECO50/840 II DS PCC GR 62P	1	280,00	P2	910500991039	8718291909798
BDP001 ECO50/840 II DS PCF GR 62P	1	280,00	P2	910500991042	8718291909828
BDP001 ECO50/840 II DW PCC GR 62P	1	280,00	P2	910500991033	8718291909736
BDP001 ECO70/830 II DS PCC GR 62P	1	287,00	P2	910500991052	8718291909927
BDP001 ECO70/830 II DS PCF GR 62P	1	287,00	P2	910500991055	8718291909958
BDP001 ECO70/830 II DW PCC GR 62P	1	287,00	P2	910500991046	8718291909866
BDP001 ECO70/840 II DS PCC GR 62P	1	287,00	P2	910500991040	8718291909804
BDP001 ECO70/840 II DS PCF GR 62P	1	287,00	P2	910500991043	8718291909835
BDP001 ECO70/840 II DW PCC GR 62P	1	287,00	P2	910500991034	8718291909743



## LumiStreet



### LumiStreet – elementary road range

Many local authorities today have an out-dated public lighting installation that urgently needs to be replaced, yet have only a limited budget available. We have the answer to their needs. With its compact design and modern LED architecture, LumiStreet is a versatile, cost-effective luminaire that fulfils basic functional road lighting requirements. It is made of high-quality components that ensure long lifetime and low maintenance cost. The result? A road lighting luminaire that provides effective illumination while at the same time cutting energy and maintenance bills.

Core version design for high-volume projects at relatively low initial budget. Offer limited range of optics. Performer version design for

customer who are preparing big renovation projects, TCO oriented .

#### Benefits

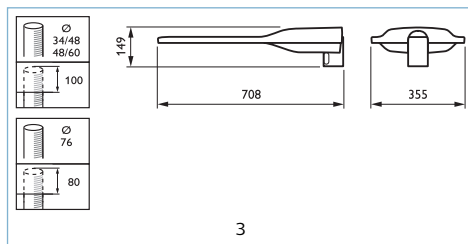
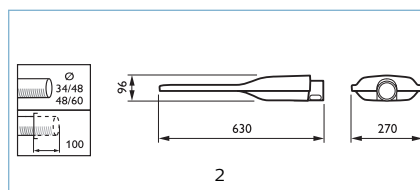
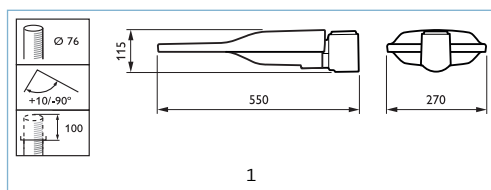
- Cost-effective LED alternative to conventional street lights
- Easy to install
- Long lifetime and low maintenance cost

#### Features

- Basic, compact design
- High-quality components
- Wide choice of optics for increased application efficiency
- Available in two sizes
- Low weight

#### Application

- Traffic routes
- Residential areas



Commercial product name		Net Trade Price per Piece (€ net)	National Discount Group	mm	Material Nr. (12NC)	EAN-1
BGS212 ECO41/740 PSU II 48/60A	1	161,00	P2	1	910925864076	8718696381960
BGS212 ECO59/740 PSU II 48/60A	1	185,00	P2	1	910925864077	8718696381977
BGS212 ECO82/740 PSU II 48/60A	1	195,00	P2	1	910925864078	8718696381984
BGS213 ECO41/740 PSU II 48/60A PL	1	198,00	P2	2	910925863349	8718696347607
BGS213 ECO59/740 PSU II 48/60A PL	1	210,00	P2	2	910925863199	8718696346129
BGS213 ECO82/740 II 48/60A PL	1	221,00	P2	2	910925863198	8718696346112
BGS213 ECO123/740 PSU II 48/60A PL	1	256,00	P2	2	910925863197	8718696346105
BGS214 ECO170/740 II DM 48/60A	1	282,00	P2	3	910770203304	8718696376416



## ClearWay gen2



### Versatile and cost-efficient LED lighting

ClearWay gen2 enables you to enjoy the benefits of LED technology right from the start. This new second generation of the luminaire builds on the strengths of its predecessor and is designed to further minimize your Total Cost of Ownership. ClearWay gen2 significantly improves the most important aspects of the street lighting experience compared to conventional lighting. Ideal for new streets and for renovating existing installations, this affordable range of lighting solutions combines clean, high quality light with significant energy and maintenance savings. In short, ClearWay gen2 means good quality light with all the added benefits of LED – energy savings and long lifetime. Offering more benefits, yet packaged in a thinner and lighter design, which makes it easier to install.

#### Benefits

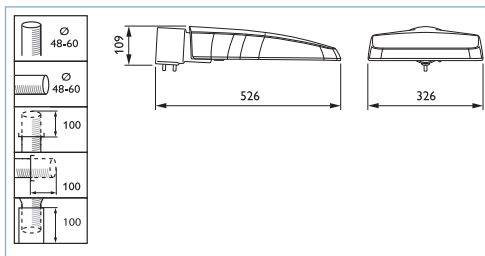
- All benefits packaged in one single luminaire architecture
- Easy to install
- Low initial cost
- Reasonable Total Cost of Ownership
- Easy luminaire is uniquely identifiable thanks to Philips Service tag


#### Features

- One flexible design variant offering different options depending on the needs of the application
- Compact and efficient design
- Tilt regulation without needing to open cover

#### Application

- Urban and residential roads
- Bicycle and pedestrian paths
- Minor roads



Commercial product name		Net Trade Price per Piece (€ net)	National Discount Group	Material Nr. (12NC)	EAN-1
BGP307 LED25/740 I DM 48/60A	1	200,00	P3	910925864560	8718696987728
BGP307 LED25/740 II DM 48/60A	1	205,00	P3	910925864572	8718696987841
BGP307 LED30/740 I DM 48/60A	1	200,00	P3	910925864561	8718696987735
BGP307 LED30/740 II DM 48/60A	1	205,00	P3	910925864573	8718696987858
BGP307 LED35/740 I DM 48/60A	1	200,00	P3	910925864562	8718696987742
BGP307 LED35/740 II DM 48/60A	1	205,00	P3	910925864574	8718696987865
BGP307 LED40/740 I DM 48/60A	1	200,00	P3	910925864563	8718696987759
BGP307 LED40/740 II DM 48/60A	1	200,00	P3	910925864575	8718696987872
BGP307 LED45/740 I DM 48/60A	1	200,00	P3	910925864564	8718696987766
BGP307 LED45/740 II DM 48/60A	1	205,00	P3	910925864576	8718696987889
BGP307 LED54/740 I DM 48/60A	1	200,00	P3	910925864565	8718696987773
BGP307 LED54/740 II DM 48/60A	1	205,00	P3	910925864577	8718696987896
BGP307 LED69/740 I DM 48/60A	1	205,00	P3	910925864566	8718696987780
BGP307 LED69/740 II DM 48/60A	1	210,00	P3	910925864578	8718696987902
BGP307 LED84/740 I DM 48/60A	1	210,00	P3	910925864567	8718696987797
BGP307 LED84/740 II DM 48/60A	1	210,00	P3	910925864579	8718696987919
BGP307 LED99/740 I DM 48/60A	1	210,00	P3	910925864568	8718696987803
BGP307 LED99/740 II DM 48/60A	1	210,00	P3	910925864580	8718696987926
BGP307 LED109/740 I DM 48/60A	1	225,00	P3	910925864569	8718696987810
BGP307 LED109/740 II DM 48/60A	1	225,00	P3	910925864581	8718696987933





## CoreLine Malaga LED



### CoreLine Malaga LED: Simply Efficient

The CoreLine Malaga LED family is designed for general Road, Street and Residential application. The family consists of two sizes and uses a Philips standardized design LED engine as light source and a Philips Xitanium fixed output outdoor driver. Quality you can rely on. CoreLine Malaga LED has been designed as efficient as possible, performing the same task as the SON-T 50, 70, 100 and 150 W luminaires it replaces; provide the right amount of light in the right place. The medium beam (DM) optic delivers an efficient distribution onto the road. The combination results in interesting energy savings which reduce operating costs significantly. 50% energy reduction is realistically possible. At the same time, the investment in a CoreLine Malaga LED luminaire is on the same level as an old SON-T luminaire including the first lamp. As the LED light engine in CoreLine Malaga LED will last the life time of the luminaire, just by saving the multiple lamp replacements needed with SON-T will already return the investment in it. Ease of installation is obtained through the extended gland feature; the luminaire does not need to be opened to connect the power cable. At the same time, the flat glass cover can be removed

to allow access to the driver for maintenance if required. Adding up the functions and features truly make a choice for CoreLine Malaga LED an easy decision. As a member of the CoreLine family, Malaga LED is easy and quick available thru Philips Partners near you. Simply efficient.

#### Benefits

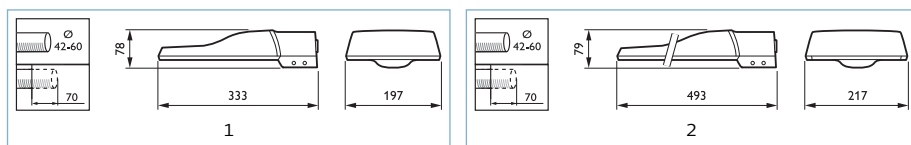
- Reliable quality: aluminum die-cast housing and tempered flat glass, IP65 / IK08. Maintainable, driver can be replaced. Post top adapter separately available. Easy return on investment. By saving lamp changes needed with SON-T, the investment is already re-paid. Realistic energy saving of 50%.

#### Features

- Direct, one on one, replacement for SON-T lamps in Road, Street and Residential applications. Purpose, dedicated to LED, robust design including Philips standardized LED light platform and fixed output Philips Xitanium outdoor driver. Easy installation through the extended gland. No need to open the luminaire. 1000.000 hours working life L70B10 (or 60.000 hours L80B10).

#### Application

- General outdoor; Road, Street and Residential areas Industrial areas or parking lots. Public transport such as bus or tramway stops.



Commercial product name		Net Trade Price per Piece (€ net)	National Discount Group		Material Nr. (12NC)	EAN - 1
<b>N</b> BRP101 LED37/740 DM 42-60A	1	113,00	P1	1	910925865338	8718696998151
<b>N</b> BRP101 LED37/740 II DM 42-60A	1	113,00	P1	1	910925865339	8718696998168
<b>N</b> BRP102 LED55/740 DM 42-60A	1	146,00	P1	2	910925865340	8718696998175
<b>N</b> BRP102 LED55/740 II DM 42-60A	1	146,00	P1	2	910925865341	8718696998182
<b>N</b> BRP102 LED75/740 DM 42-60A	1	155,00	P1	2	910925865342	8718696998199
<b>N</b> BRP102 LED75/740 II DM 42-60A	1	155,00	P1	2	910925865343	8718696998205
<b>N</b> BRP102 LED110/740 DM 42-60A	1	165,00	P1	2	910925865344	8718696998212
<b>N</b> BRP102 LED110/740 II DM 42-60A	1	165,00	P1	2	910925865345	8718696998229

**N** = New

= First choice



Commercial product name	Numerator - Packs per outer box	Material Nr. (12NC)	Net Trade Price per Piece (£)	National Discount Group
ZRP220 AD60/60 A5	1	910925227912	26,00	P1



## Iridium SGS254/454



### Iridium – lighting the road ahead

Iridium is a family of road-lighting luminaires designed for three main applications – residential areas and minor roads, major roads and motorways. Its modularity allows the integration of optical or electronic components in order to adapt to the changing demands of road lighting, e. g. the growing demand for white light and controls. Iridium ensures low cost of ownership thanks to its superior optics, dimming and Telemangement capability, and ease of installation and maintenance. The Iridium luminaire family includes MASTERColour CDM Elite MW, CosmoPolis and LED-enabled versions. It comes in four different sizes – for mounting heights from 3.5 to 12 meters – and is suitable for side-entry and post-top mounting. A full range of brackets ensures visual consistency between the column and the gently rounded luminaire, making Iridium a total solution. Each Iridium luminaire is fully recyclable; only the light source and driver have to be recycled separately.

### Benefits

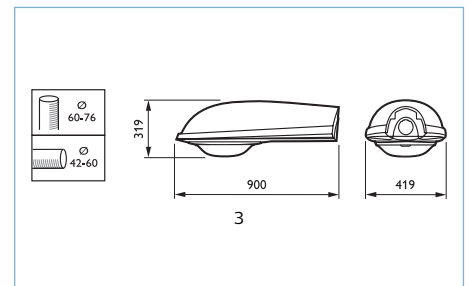
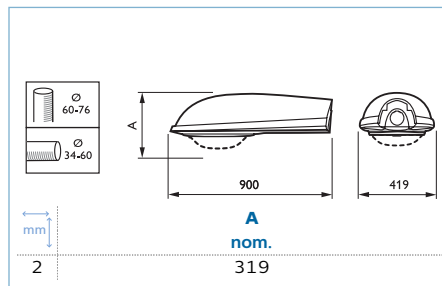
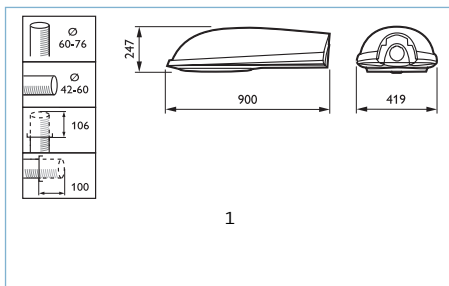
- The latest evolution of road lighting that takes a significant step towards a 'Green City light solution'
- Enables outdoor lighting authorities to introduce the most advanced green innovations, while also ensuring the best possible Total Cost of Ownership
- Worldwide design acceptance and high degree of modularity, with a wide range of sizes, materials and options

### Features

- Family includes MASTERColour CDM Elite MW, CosmoPolis and LED-enabled versions
- Superior optics
- Dimming and Telemangement capability
- Four different sizes, suitable for side-entry and post-top mounting; also full range of brackets
- Fully recyclable; only light source and driver have to be recycled separately

### Application

- Industrial areas
- Roads
- Crossings
- Roundabouts



Commercial product name		National Lamp Fee <sup>1</sup>	Net Trade Price per Piece (€ net)	National Discount Group	mm	Material Nr. (12NC)	EAN-1
SGS254 SON-T250W K II CP FG GR SND	1	fee relevant	352,00	P3	1	910502136318	8711559844817
SGS254 SON-T250W K II TP FG GR SND	1	fee relevant	352,00	P3	1	910502122918	8711559842363
SGS254 SON-T250W K II TP FG GR SND	1	fee relevant	352,00	P3	1	910502136518	8711559844831
SGS254 SON-T250W K II TP GB GR SND	1	fee relevant	379,00	P3	2	910502136618	8711559844848
SGS254 SON-T250W K I TP GB GR SND	1	fee relevant	352,00	P3	3	910502170618	8711559851808
SGS254 SON-T400W K II CP GB GR SND	1	fee relevant	379,00	P3	2	910502123418	8711559842448
SGS254 SON-T400W K II TP FG GR SND	1	fee relevant	379,00	P3	1	910502136918	8711559844879
SGS254 SON-T400W K II TP GB GR SND	1	fee relevant	379,00	P3	3	910502137018	8711559844886
SGS254 SON-T400W K I TP GB GR SND	1	fee relevant	379,00	P3	2	910502170818	8711559851822

<sup>1</sup> Product fee relevant according local regulation



## Iridium SGS253/453



### Iridium – lighting the road ahead

Iridium is a family of road-lighting luminaires designed for three main applications – residential areas and minor roads, major roads and motorways. Its modularity allows the integration of optical or electronic components in order to adapt to the changing demands of road lighting, e. g. the growing demand for white light and controls. Iridium ensures low cost of ownership thanks to its superior optics, dimming and Telemangement capability, and ease of installation and maintenance. The Iridium luminaire family includes MASTERColour CDM Elite MW, CosmoPolis and LED-enabled versions. It comes in four different sizes – for mounting heights from 3.5 to 12 meters – and is suitable for side-entry and post-top mounting. A full range of brackets ensures visual consistency between the column and the gently rounded luminaire, making Iridium a total solution. Each Iridium luminaire is fully recyclable; only the light source and driver have to be recycled separately.

### Benefits

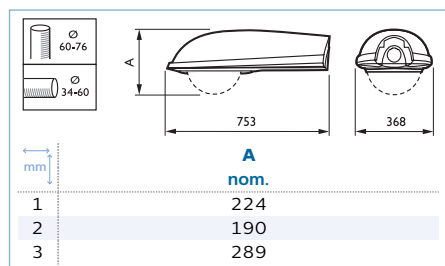
- The latest evolution of road lighting that takes a significant step towards a 'Green City light solution'
- Enables outdoor lighting authorities to introduce the most advanced green innovations, while also ensuring the best possible Total Cost of Ownership
- Worldwide design acceptance and high degree of modularity, with a wide range of sizes, materials and options

### Features

- Family includes MASTERColour CDM Elite MW, CosmoPolis and LED-enabled versions
- Superior optics
- Dimming and Telemangement capability
- Four different sizes, suitable for side-entry and post-top mounting; also full range of brackets
- Fully recyclable; only light source and driver have to be recycled separately

### Application

- Residential and industrial areas
- Roads
- Crossings
- Roundabouts



Commercial product name		National Lamp Fee <sup>1</sup>	Net Trade Price per Piece (€ net)	National Discount Group	mm	Material Nr. (12NC)	EAN-1
SGS253 CDO-TT100W K II OR GB GR SND	1	fee relevant	309,00	P3	1	910502136018	8711559844787
SGS253 CDO-TT150W K II CR FG GR SND	1	fee relevant	309,00	P3	2	910502136218	8711559844800
SGS253 CDO-TT150W K II CR PC GR SND	1	fee relevant	309,00	P3	3	910502155518	8711559849430
SGS253 SON-T100W K I CR GB GR SND	1	fee relevant	256,00	P3	1	910502169718	8711559851716
SGS253 SON-T100W K II CR FG GR SND	1	fee relevant	256,00	P3	2	910502123818	8711559842646
SGS253 SON-T100W K II CR GB GR SND	1	fee relevant	256,00	P3	1	910502123718	8711559842639
SGS253 SON-T100W K II CR PC GR SND	1	fee relevant	256,00	P3	3	910502123618	8711559842622
SGS253 SON-T100W K II OR FG GR SND	1	fee relevant	256,00	P3	2	910502124118	8711559842677
SGS253 SON-T100W K II OR PC GR SND	1	fee relevant	256,00	P3	3	910502149418	8711559848389
SGS253 SON-T100W K I OR GB GR SND	1	fee relevant	256,00	P3	1	910502169818	8711559851723
SGS253 SON-T100W K I OR PC GR SND	1	fee relevant	256,00	P3	3	910502133918	8711559844572
SGS253 SON-T150W K I CR GB GR SND	1	fee relevant	264,00	P3	1	910502170018	8711559851747
SGS253 SON-T150W K II CR FG GR SND	1	fee relevant	264,00	P3	2	910502124418	8711559842707
SGS253 SON-T150W K II CR GB GR SND	1	fee relevant	264,00	P3	1	910502124318	8711559842691
SGS253 SON-T150W K II CR PC GR SND	1	fee relevant	264,00	P3	3	910502124218	8711559842684
SGS253 SON-T150W K II OR FG GR SND	1	fee relevant	264,00	P3	2	910502124718	8710163842738
SGS253 SON-T150W K II OR GB GR SND	1	fee relevant	264,00	P3	1	910502124618	8711559842721
SGS253 SON-T150W K II OR PC GR SND	1	fee relevant	264,00	P3	3	910502149518	8711559848396
SGS253 SON-T150W K I OR GB GR SND	1	fee relevant	264,00	P3	1	910502170118	8711559851754
SGS253 SON-T150W K I OR PC GR SND	1	fee relevant	264,00	P3	3	910502133818	8711559844565
SGS253 SON-T250W K I CR GB GR SND	1	fee relevant	299,00	P3	1	910502170418	8711559851785
SGS253 SON-T250W K II CR GB GR SND	1	fee relevant	299,00	P3	1	910502120018	8711559842325
SGS253 SON-T250W K II OR GB GR SND	1	fee relevant	299,00	P3	1	910502124818	8711559842745
SGS253 SON-T250W K II OR GB GR SND	1	fee relevant	299,00	P3	1	910502170318	8711559851778
SGS253 SON-T250W K I OR GB GR SND	1	fee relevant	299,00	P3	1	910502170218	8711559851761

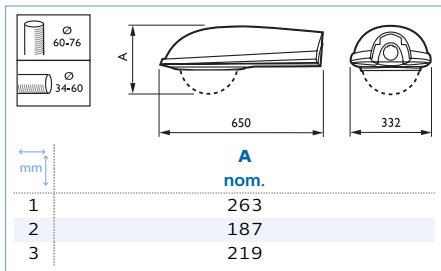
<sup>1</sup> Product fee relevant according local regulation

## Iridium SGS252/452



### Iridium – lighting the road ahead

Iridium is a family of road-lighting luminaires designed for three main applications – residential areas and minor roads, major roads and motorways. Its modularity allows the integration of optical or electronic components in order to adapt to the changing demands of road lighting, e. g. the growing demand for white light and controls. Iridium ensures low cost of ownership thanks to its superior optics, dimming and Telemangement capability, and ease of installation and maintenance. The Iridium luminaire family includes MASTERColour CDM Elite MW, CosmoPolis and LED-enabled versions. It comes in four different sizes – for mounting heights from 3.5 to 12 meters – and is suitable for side-entry and post-top mounting. A full range of brackets ensures visual consistency between the column and the gently rounded luminaire, making Iridium a total solution. Each Iridium luminaire is fully recyclable; only the light source and driver have to be recycled separately.



### Benefits

- The latest evolution of road lighting that takes a significant step towards a 'Green City light solution'
- Enables outdoor lighting authorities to introduce the most advanced green innovations, while also ensuring the best possible Total Cost of Ownership
- Worldwide design acceptance and high degree of modularity, with a wide range of sizes, materials and options

### Features

- Family includes MASTERColour CDM Elite MW, CosmoPolis and LED-enabled versions
- Superior optics
- Dimming and Telemangement capability
- Four different sizes, suitable for side-entry and post-top mounting; also full range of brackets
- Fully recyclable; only light source and driver have to be recycled separately

### Application

- Residential and industrial areas
- Roads
- Bicycle paths

Commercial product name		National Lamp Fee <sup>1</sup>	Net Trade Price per Piece (€ net)	National Discount Group		Material Nr. (12NC)	EAN-1
SGS252 SON-T70W K I CR PC GR SND	1	fee relevant	235,00	P3	1	910502133418	8711559844527
SGS252 SON-T70W K II CR FG GR SND	1	fee relevant	235,00	P3	2	910502121318	8711559842479
SGS252 SON-T70W K II CR GB GR SND	1	fee relevant	235,00	P3	3	910502121418	8711559842486
SGS252 SON-T70W K II OR FG GR SND	1	fee relevant	235,00	P3	2	910502121618	8711559842509
SGS252 SON-T70W K II OR GB GR SND	1	fee relevant	235,00	P3	3	910502121718	8711559842516
SGS252 SON-T70W K I OR GB GR SND	1	fee relevant	235,00	P3	3	910502168718	8711559851617
SGS252 SON-T100W K II OR GB GR SND	1	fee relevant	243,00	P3	3	910502121918	8711559842530
SGS252 SON-T100W K II OR PC GR SND	1	fee relevant	243,00	P3	1	910502121818	8711559842523
SGS252 SON-T100W K I OR GB GR SND	1	fee relevant	243,00	P3	3	910502168818	8711559851624
SGS252 SON-T100W K I OR PC GR SND	1	fee relevant	243,00	P3	1	910502133618	8711559844541

<sup>1</sup> Product fee relevant according local regulation



## Selenium



### Selenium – timeless design

Selenium SGP340 is an efficient, ergonomic road-lighting luminaire. Its simple, rounded form reduces its daytime visual impact, allowing it to integrate into any kind of environment. Selenium incorporates the renowned T-POT reflector for excellent optical performance. Energy savings are possible by means of dimming with a switch or stand-alone Chronosense system (without pilot cable). Selenium is suitable for side-entry or post-top mounting, with a choice of three tilt angles for optimal installation (0, 5, 15°).

#### Benefits

- Timeless design in an efficient, ergonomic road-lighting luminaire with a simple, rounded form that reduces daytime visual impact

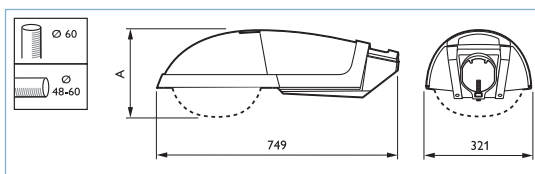
- Incorporates the renowned T-POT reflector for excellent optical performance
- Energy savings are possible by means of dimming with a switch, or stand-alone Chronosense system without pilot cable

#### Features

- Timeless design
- T-POT optic
- Dimming with switch or stand-alone Chronosense system (without pilot cable)
- Three tilt angles for optimal installation on mast or bracket

#### Application

- Industrial areas
- Roads
- Crossings, roundabouts



Commercial product name		Net Trade Price per Piece (€ net)	National Discount Group	Material Nr. (12NC)	EAN-1
SGP340 SON-T70W II PC SKD 48/60	1	126,00	P3	910925840112	8727900635508
SGP340 SON-T70W I PC SKD 48/60	1	121,00	P3	910925840012	8727900635492
SGP340 SON-T100W II PC SKD 48/60	1	128,00	P3	910925842712	8727900635553
SGP340 SON-T100W I PC SKD 48/60	1	124,00	P3	910925842412	8727900635522
SGP340 SON-T150W II PC SKD 48/60	1	132,00	P3	910925845412	8727900635621
SGP340 SON-T150W I PC SKD 48/60	1	127,00	P3	910925845112	8727900635591
SGP340 SON-T250W II PC SKD 48/60	1	146,00	P3	910925848312	8727900635690
SGP340 SON-T250W I PC SKD 48/60	1	142,00	P3	910925845912	8711559128696



## Malaga SGS101



### Malaga – contemporary style

Malaga is a versatile road-lighting luminaire. It offers modern styling and quality lighting for safe and comfortable driving, and for area illumination, with low investment and maintenance costs. The optical system has been designed to deliver good beam control and light output. Malaga provides optimal illuminance and good uniformity when the mounting height approximately equals the road width and the mast spacing is approximately 3.5 times the road width. It is suitable for post-top and side-entry mounting; a wall-mounting bracket is also available.

#### Benefits

• Versatile road lighting luminaire offering modern styling and quality lighting for safe, comfortable driving and for area illumination

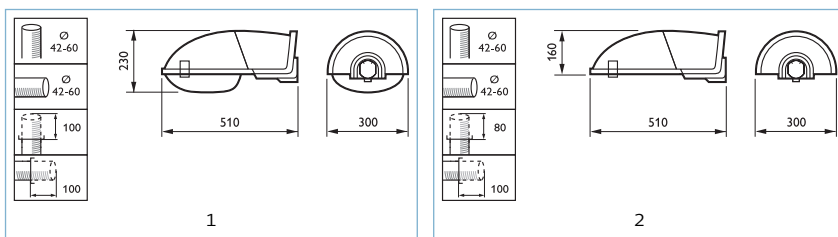
- Optical system delivers good beam control and light output, with optimal illuminance and good uniformity
- Designed for low investment and maintenance costs

#### Features



- Modern styling
- Effective beam control and uniform light distribution
- Suitable for post-top and side-entry mounting; wall-mounting bracket also available

#### Application

- Residential areas
- Roads
- Car parks
- Industry



#### Commercial product name

Commercial product name		Net Trade Price per Piece (€ net)	National Discount Group	 mm	Material Nr. (12NC)	EAN-1
SGS101 SON-T50W II MR SKD 42/60	1	82,00	P1	1	910925811612	8711559118598
SGS101 SON-T70W II MR FG SKD 42/60	1	104,00	P1	2	910925702612	8727900636475
SGS101 SON-T70W II MR SKD 42/60	1	79,00	P1	1	910925812312	8727900634587



## Malaga SGS102



### Malaga – contemporary style

Malaga is a versatile road-lighting luminaire. It offers modern styling and quality lighting for safe and comfortable driving, and for area illumination, with low investment and maintenance costs. The optical system has been designed to deliver good beam control and light output. Malaga provides optimal illuminance and good uniformity when the mounting height approximately equals the road width and the mast spacing is approximately 3.5 times the road width. It is suitable for post-top and side-entry mounting; a wall-mounting bracket is also available.

#### Benefits

• Versatile road lighting luminaire offering modern styling and quality lighting for safe, comfortable driving and for area illumination

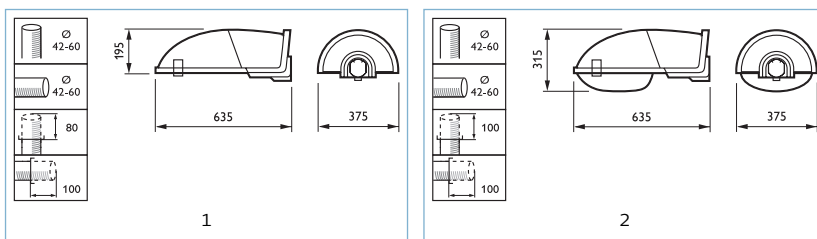
- Optical system delivers good beam control and light output, with optimal illuminance and good uniformity
- Designed for low investment and maintenance costs



#### Features

- Modern styling
- Effective beam control and uniform light distribution
- Suitable for post-top and side-entry mounting; wall-mounting bracket also available

#### Application

- Residential areas
- Roads
- Car parks
- Industry

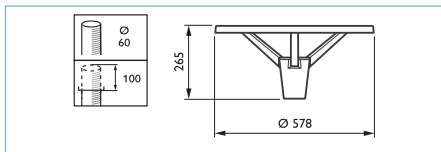


Commercial product name		Net Trade Price per Piece (€ net)	National Discount Group	 mm	Material Nr. (12NC)	EAN-1
SGS102 SON-T100W II MR FG SKD 42/60	1	127,00	P1	1	910925703012	8727900636512
SGS102 SON-T100W II MR SKD 42/60	1	102,00	P1	2	910925813212	8711559118642
SGS102 SON-T150W II MR FG SKD 42/60	1	138,00	P1	1	910925703312	8727900636543
SGS102 SON-T150W II MR SKD 42/60	1	114,00	P1	2	910925813812	8727900634648
SGS102 SON-T250W II MR FG SKD 42/60	1	150,00	P1	1	910925703612	8727900636574
SGS102 SON-T250W II MR SKD 42/60	1	121,00	P1	2	910925814412	8727900634662





## StreetSaver gen2



### StreetSaver – save costs, enjoy quality

In order to comply with EU regulations passed in 2015, municipalities need to replace all mercury-based lamps with lamps that are mercury-free. However, municipalities often have limited budget to handle these huge replacement operations, especially in this period of economic austerity. At the same time, municipal authorities are facing tremendous pressure to save energy and to reduce light pollution of the night sky (many mercury installations have a transparent bowl, sending light everywhere).

StreetSaver is an affordable, high-quality solution that enables municipalities to address all these issues by changing their mercury-based luminaires to LED systems – and importantly, it

requires only limited investment.

#### Benefits


- Affordable LED post-top solution with good lighting performance
- High product quality and robust design
- Good lifespan thanks to mid-power LED and 4KV surge protection

#### Features

- Dedicated LED design
- Aluminum housing and polycarbonate flat glass
- Connection directly at the bottom of the pole thanks to its 6 m cable

#### Application

- Parks and plazas, pedestrian areas
- Commercial plazas, parking areas
- Residential areas

Commercial product name		Net Trade Price per Piece (€ net)	National Discount Group	Material Nr. (12NC)	EAN-1
BPP008 LED-MP 740 PSU I GR 60P	1	228,00	P2	911401663403	8710163311005
BPP008 LED-MP 830 PSU I GR 60P	1	228,00	P2	911401663503	8710163311012



## LED Bollard II



### LED Bollard II BCP150/151 – reliable landscape lighting for harmonious city living

People want to create a pleasant atmosphere around their property – something that will catch visitors' attention, make them feel good and want to come back again. They would like to be able to create an appealing ambience with optimized-quality lighting at minimum cost. Combining reliable low-power LEDs and an integrated driver, the robustly designed LED Bollard II delivers an affordable LED lighting solution to meet your landscaping needs.

#### Benefits

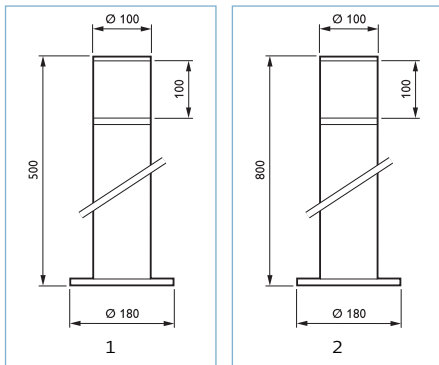
- Reliable, robust design
- Easy to install and maintenance-free
- Environmentally friendly: no hazardous substances (no mercury, no lead) or UV

#### Features

- Low-power white-light LED light source, available in a choice of warm white (3,000 K) or neutral white (4,000 K)
- Integrated baseplate and driver for easy installation
- Choice of colors for housing (dark grey RAL 7043, light grey RAL 9006)
- Height 0.5 m or 0.8 m
- Long lifetime of 25,000 hours (70% lumen maintenance @ Tc = 25 °C)
- IP65 protection and IK10 impact resistance

#### Application

- Parks and gardens
- Squares, plazas
- Residential areas



#### Commercial product name

Commercial product name		Net Trade Price per Piece (€ net)	National Discount Group	 mm	Material Nr. (12NC)	EAN-1
BCP150 LED150/WW PSU 220-240V 7043	1	121.00	P2	1	911401691902	8710163298870
BCP151 LED150/WW PSU 220-240V 7043	1	131.00	P2	2	911401692002	8710163298887



## Coreline Bollard



### Coreline Bollard

Coreline Bollard is a professional bollard that will guide people at night time and will integrate very well in most urban landscape thanks to its discreet design.

#### Benefits

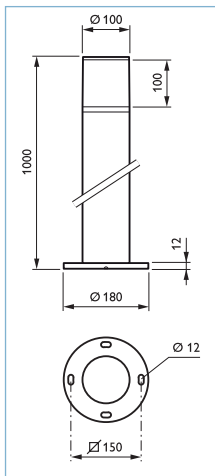
- Comfortable light
- Easy to install
- Saves energy compared to conventional lamps


#### Features

- 1,000 lm system output
- 1 m height
- IP65 / IK10
- Available in Warm White and Neutral White
- Available with symmetric and asymmetric optic
- Ground section anchor accessory

#### Application

- Open spaces: Parks, squares, playgrounds
- Foot and cycle paths
- Parking lots



Commercial product name		Net Trade Price per Piece (€ net)	National Discount Group	Material Nr. (12NC)	EAN-1
BCP155 LED100/NW PSU 220-240V A 7043	1	116,00	P3	912401483110	8718699383763
BCP155 LED100/NW PSU 220-240V S 7043	1	116,00	P3	912401483112	8718699383787
BCP155 LED100/WW PSU 220-240V A 7043	1	116,00	P3	912401483109	8718699383756
BCP155 LED100/WW PSU 220-240V S 7043	1	116,00	P3	912401483111	8718699383770



Commercial product name	CE mark	Numerator - Packs per outer box	Material Nr. (12NC)	Net Trade Price per Piece (€)	National Discount Group
ZCP150 ANB L500	CE mark	1	912401483113	55,00	P3



## Vaya Flood HP



### Vaya Flood HP – High power architectural LED flood light for dynamic color-changing or crisp white lighting effects

Vaya Flood HP is a reliable and cost effective high output LED flood lighting solution ideal for illuminating large-scale exterior facades, bridges, and monuments. While minimizing initial investment, this Vaya Flood series provides exceptional flexibility to create eye-catching flood, wash and spot lighting effects. A wide choice of beam angles and color options let you bring a property to life with either static or dynamically changing colors. Extended light throw and high efficacy set this compact & robust luminaire apart. Its integrated power and adjustable tilt angle make this product versatile and

easy to use. For more information please visit [www.colorkinetics.com/vaya/](http://www.colorkinetics.com/vaya/).

#### Benefits

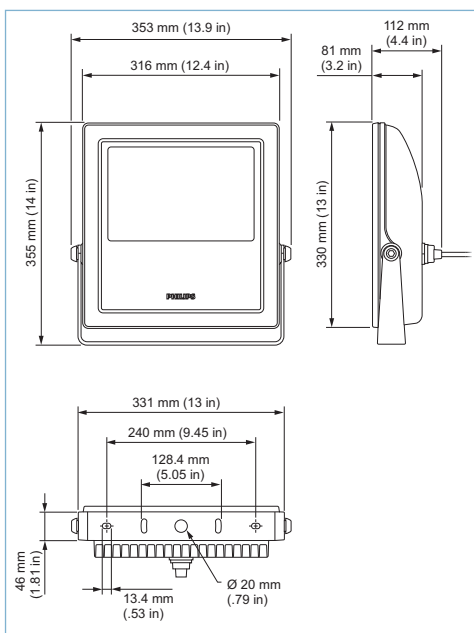
- Affordable solution: low initial cost
- Optimized performance


#### Features

- Static white versions – 2,700 to 5,000 K
- Static mono-color versions – red, green, blue, amber
- Dynamic RGB version
- Integrated tilting surface-mount base
- Aluminum body with IP66 glass cover
- Reliability guaranteed by Philips quality process

#### Application

- Architecture and landscape lighting



Commercial product name		Net Trade Price per Piece (€ net)	National Discount Group	Material Nr. (12NC)	EAN-1
BCP417 48xLED-HB/RGB 100-277V 10 CE CQC	2	698,00	P2	910503702884	8718291634928
BCP417 48xLED-HB/RGB 100-277V 20 CE CQC	2	698,00	P2	910503702885	8718291634935
BCP417 48xLED-HB/RGB 100-277V 40 CE CQC	2	698,00	P2	910503702886	8718291634942
BCP418 48xLED-HB/3000 220-240V 10 CE CQC	2	605,00	P2	910503703119	8718291635222
BCP418 48xLED-HB/3000 220-240V 20 CE CQC	2	605,00	P2	910503703120	8718291635239
BCP418 48xLED-HB/3000 220-240V 40 CE CQC	2	605,00	P2	910503703121	8718291635246
BCP418 48xLED-HB/4000 220-240V 10 CE CQC	2	605,00	P2	910503703123	8718291635260
BCP418 48xLED-HB/4000 220-240V 20 CE CQC	2	605,00	P2	910503703124	8718291635277
BCP418 48xLED-HB/4000 220-240V 40 CE CQC	2	605,00	P2	910503703125	8718291635284



## Vaya Flood LP



### Vaya Flood LP – Low power architectural LED flood light for crisp white or dynamic color - changing lighting effects

Vaya Flood LP (gen2) is a reliable and cost effective LED flood lighting solution for both interior and exterior use that minimizes the initial investment, while providing exceptional flexibility to create eye-catching flood, wash and accent lighting effects. A wide choice of beam angles and color options let you bring a property to life with either static or dynamically changing colors. Extended light throw and high efficacy set this compact & robust luminaire apart. Its integrated power and adjustable tilt angle make this product versatile and easy to use. For more information please visit [www.colorkinetics.com/vaya/](http://www.colorkinetics.com/vaya/).

#### Benefits

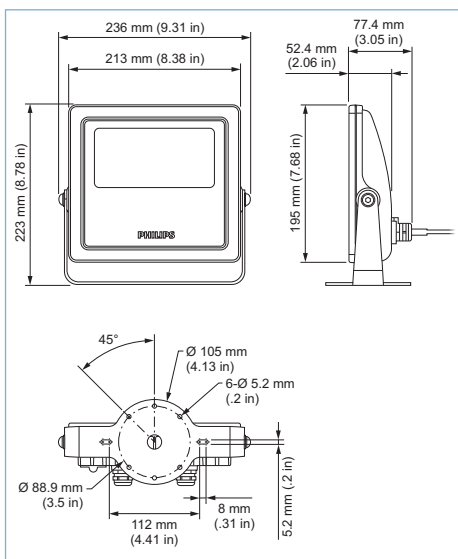
- Affordable solution: low initial cost
- Optimized performance
- Philips-branded


#### Features

- Static white versions – 3,000 or 4,000 K
- Dynamic RGB version
- Integrated tilting surface-mount base
- Aluminum body with IP66 glass cover
- Reliability guaranteed by Philips quality process

#### Application

- Flood and accent lighting of:
  - Monuments
  - Bridges
  - Shops
  - Hotels



Commercial product name		Net Trade Price per Piece (€ net)	National Discount Group	Material Nr. (12NC)	EAN-1
BCP431 RGB 100-240 20 CE CQC PSE	4	338,00	P2	912400133973	8718291647072
BCP431 RGB 100-240 40 CE CQC PSE	4	338,00	P2	912400133975	8718291647089
BCP432 3000 100-240 20 CE CQC PSE	4	303,00	P2	912400133926	8718291647379
BCP432 3000 100-240 40 CE CQC PSE	4	303,00	P2	912400133957	8718291647386
BCP432 4000 100-240 20 CE CQC PSE	4	303,00	P2	912400133934	8718291647409
BCP432 4000 100-240 40 CE CQC PSE	4	303,00	P2	912400133937	8718291647416



## Vaya Flood MP



### Vaya Flood MP – Mid power architectural LED flood light for crisp white or dynamic color - changing lighting effects

Vaya Flood MP (gen2) is a reliable and cost effective LED flood lighting solution for both exterior use that minimizes the initial investment, while providing exceptional flexibility to create eye-catching flood, wash and accent lighting effects. A wide choice of beam angles and color options let you bring a property to life with either static or dynamically changing colors. Extended light throw and high efficacy set this compact & robust luminaire apart. Its integrated power and adjustable tilt angle make this product versatile and easy to use. For more information please visit [www.colorkinetics.com/vaya/](http://www.colorkinetics.com/vaya/).

#### Benefits

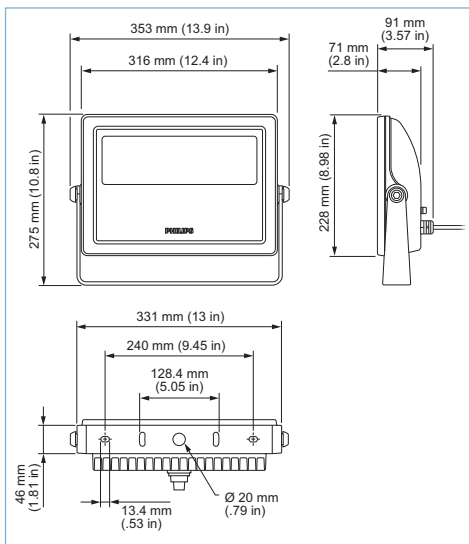
- Affordable solution: low initial cost
- Optimized performance
- Philips-branded


#### Features

- Static white versions – 3,000 or 4,000 K
- Static mono-color versions – red, green, blue, amber
- Dynamic RGB version
- Integrated tilting surface-mount base
- Aluminum body with IP66 glass cover
- Reliability guaranteed by Philips quality process

#### Application

- Flood and accent lighting of:
- Monuments
- Bridges
- Shops
- Hotels



Commercial product name		Net Trade Price per Piece (€ net)	National Discount Group	Material Nr. (12NC)	EAN-1
BCP434 RGB 100-240 20 CE CQC PSE	2	535,00	P2	912400133978	8718291649816
BCP434 RGB 100-240 40 CE CQC PSE	2	535,00	P2	912400133979	8718291649823
BCP435 3000 220-240 20 CE CQC	2	512,00	P2	912400134021	8718291649939
BCP435 3000 220-240 40 CE CQC	2	512,00	P2	912400134022	8718291649946
BCP435 4000 220-240 20 CE CQC	2	512,00	P2	912400134024	8718291386001
BCP435 4000 220-240 40 CE CQC	2	512,00	P2	912400134025	8718291386018



## Vaya Linear LP



### Vaya Linear LP – Ultra compact exterior-rated line-voltage linear LED grazing luminaire for dynamic color-changing and crisp white lighting effects

Vaya Linear LP is a super slim outdoor linear luminaire for low-level grazing applications, with wide 120° beam or elliptical 28° x 84° optics. Its slim form factor is ideal for space-restricted applications with limited setback or allowable install height. The robust Vaya Linear LP offers a variety of color and white CCT options with either static on/off- or dynamic control options via standard DMX-512. The discreet design with integrated power supply and waterproof connectors makes wiring simple, fast and reliable. For more information

please visit [www.colorkinetics.com/vaya/](http://www.colorkinetics.com/vaya/).

#### Benefits

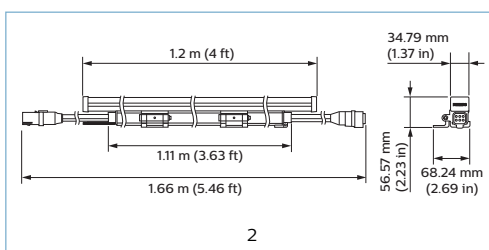
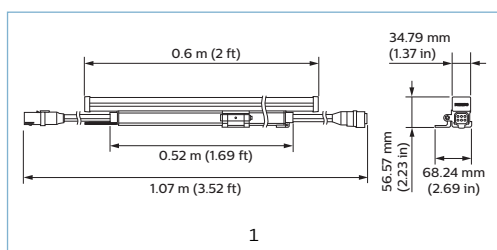
- Suitable for space-restricted and low-profile applications (indoor and outdoor)
- Fast and easy installation
- Allows low-level grazing or exterior cove lighting applications



#### Features

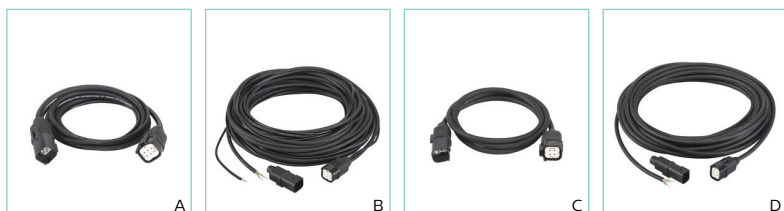
- Reliable, cost-effective LED lighting luminaire
- Slim outdoor IP66-rated housing and connectors
- Available with 28 x 84° or 120° beams
- DMX512 control (RGB version)

#### Application

- Exterior cove lighting
- Low-level grazing



Commercial product name		Net Trade Price per Piece (€ net)	National Discount Group	 mm	Material Nr. (12NC)	EAN-1
BCP421 28x84 RGB L610 CE	4	256,00	P2	1	910503704422	8718291620181
BCP421 28x84 RGB L1200 CE	4	349,00	P2	2	910503704424	8718291620204
BCP421 120 RGB L610 CE	4	256,00	P2	1	910503704421	8718291620174
BCP421 120 RGB L1200 CE	4	349,00	P2	2	910503704423	8718291620198
BCP422 28x84 3000 L610 CE	4	208,00	P2	1	910503704434	8718291620389
BCP422 28x84 3000 L1200 CE	4	300,00	P2	2	910503704436	8718291620402



Commercial product name	Type description	CE mark	Photo letter	Numerator - Packs per outer box	Material Nr. (12NC)	Net Trade Price per Piece (€)	National Discount Group
ZCP424 C1500 BK CE JUMPER CABLE	Jumper cable	CE mark	A	50	912400130049	28,00	P2
ZCP424 C15000 BK CE LEADER CABLE	Leader cable	CE mark	B	6	912400130047	98,00	P2
ZCP425 C1500 BK CE JUMPER CABLE	Jumper cable	CE mark	C	60	912400130046	21,00	P2
ZCP425 C15000 BK CE LEADER CABLE	Leader cable	CE mark	D	6	912400130044	69,00	P2





## Vaya Linear MP



### Vaya Linear MP – Powerful exterior-rated line-voltage linear LED grazing luminaire for dynamic color-changing and crisp white lighting effects

Vaya Linear MP is a reliable and cost-effective LED wall grazing luminaire for both interior and exterior use that minimizes initial investment, while offering exceptional flexibility to create eye-catching wall washing and wall grazing effects. A wide range of color and CCT options, in either static on/off or with dynamic color control, adjustable mounting brackets, wide or elliptical beam angles offer a comprehensive toolbox for your facade lighting needs. The discreet design with integrated power supply and waterproof connectors makes wiring simple, fast and reliable. For more information

please visit [www.colorkinetics.com/vaya/](http://www.colorkinetics.com/vaya/).

#### Benefits

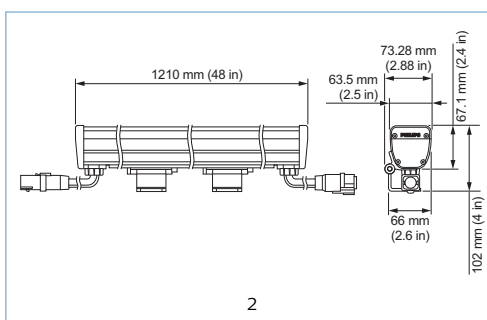
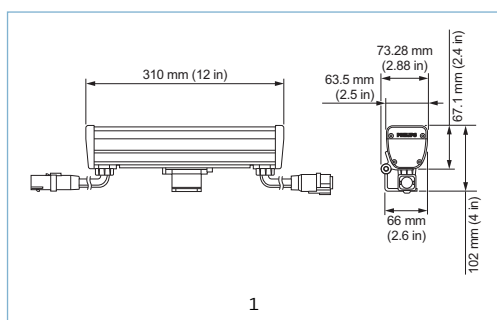
- Economical solution
- Suitable for harsh outdoor environments requiring relatively high light output
- Fast and easy installation

#### Features

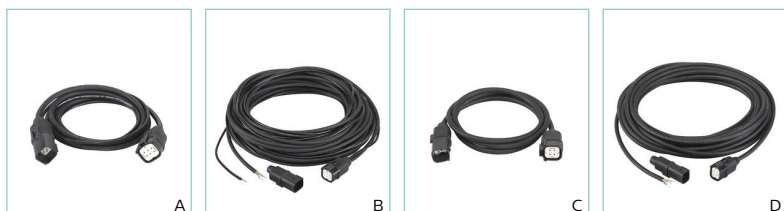
- IP66-rated housing and connectors
- Relatively high light output
- Available with 10 x 50 or 50° beams
- Auto-ranging 100-277 V, 50/60 Hz input
- DMX512 control (RGB version)
- Dedicated connectors for quick, easy and secure installation

#### Application

- Grazing lighting of monuments, bridges, shops, hotels



Commercial product name		Net Trade Price per Piece (€ net)	National Discount Group	mm	Material Nr. (12NC)	EAN-1
BCP424 10x50 RGB L310 CE	4	256,00	P2	1	912400130057	8718291625568
BCP424 10x50 RGB L1210 CE	4	466,00	P2	2	912400130059	8718291625582
BCP424 50 RGB L310 CE	4	256,00	P2	1	912400130056	8718291625551
BCP424 50 RGB L1210 CE	4	466,00	P2	2	912400130058	8718291625575
BCP425 10x50 3000 L310 CE	4	233,00	P2	1	912400130118	8718291625681
BCP425 10x50 3000 L1210 CE	4	442,00	P2	2	912400130120	8718291625704
BCP425 10x50 4000 L310 CE	4	233,00	P2	1	912400130122	8718291625728
BCP425 10x50 4000 L1210 CE	4	442,00	P2	2	912400130124	8718291625742
BCP425 50 3000 L310 CE	4	233,00	P2	1	912400130117	8718291625674
BCP425 50 3000 L1210 CE	4	442,00	P2	2	912400130119	8718291625698
BCP425 50 4000 L310 CE	4	233,00	P2	1	912400130121	8718291625711
BCP425 50 4000 L1210 CE	4	442,00	P2	2	912400130123	8718291625735



Commercial product name	Type description	CE mark	Photo letter	Numerator - Packs per outer box	Material Nr. (12NC)	Net Trade Price per Piece (€)	National Discount Group
ZCP424 C1500 BK CE JUMPER CABLE	Jumper cable	CE mark	A	50	912400130049	28,00	P2
ZCP424 C15000 BK CE LEADER CABLE	Leader cable	CE mark	B	6	912400130047	98,00	P2
ZCP425 C1500 BK CE JUMPER CABLE	Jumper cable	CE mark	C	60	912400130046	21,00	P2
ZCP425 C15000 BK CE LEADER CABLE	Leader cable	CE mark	D	6	912400130044	69,00	P2



## Ledinaire floodlight mini



### Simply great LED Switch now to great quality LED at a great price

The Ledinaire range contains a selection of popular off-the-shelf LED luminaires that comes with the Philips high quality levels at a competitive price. Reliable, energy-efficient and affordable – just what you need.

#### Benefits

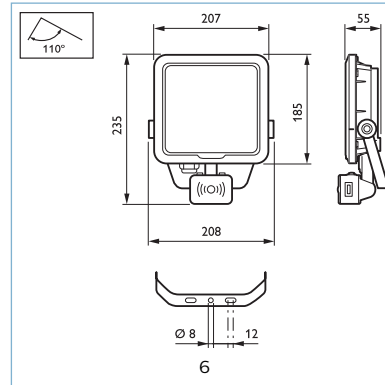
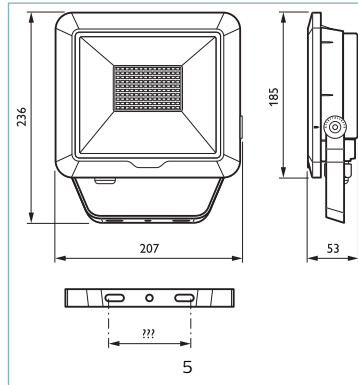
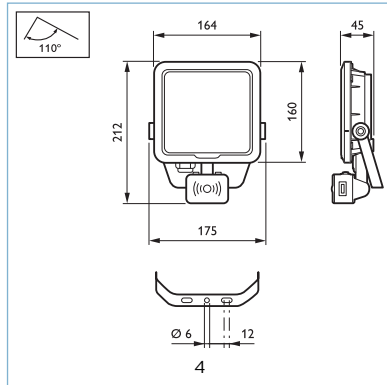
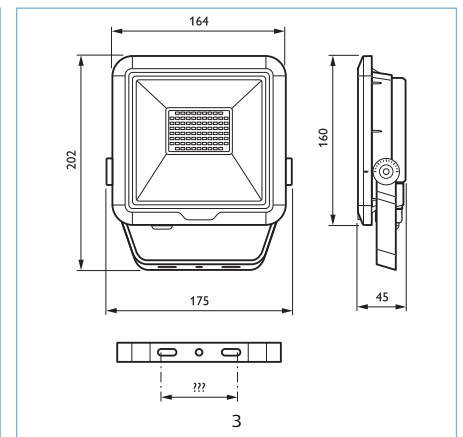
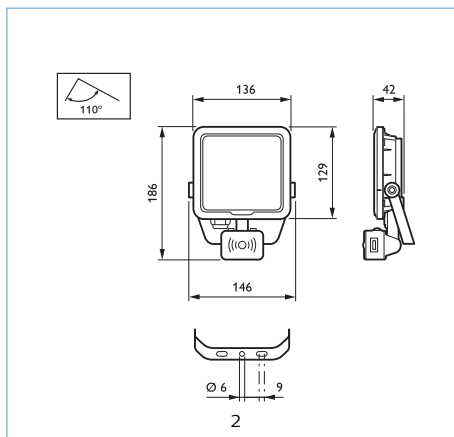
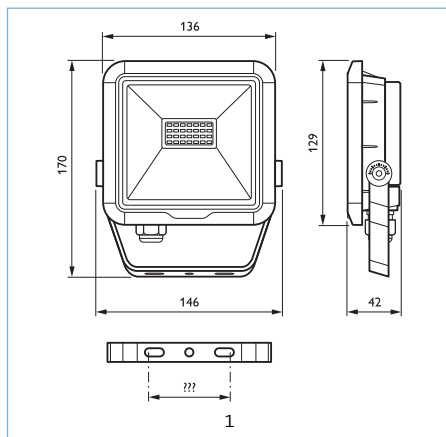
- Philips quality and reliability
- Fast payback: energy savings > 80% (halogen lamps)
- Quick installation without opening the floodlight
- Philips high-quality finish, robust and fully reliable

#### Features

- System flux: 900 lm (10 W); 2,500 lm (27 W); 4,500 lm (50 W) versions with Neutral White, CRI 80 and a high efficiency of 90 lm/W
- Extra flat IP65 design of floodlights, supplied with cable, and that can be mounted Standing-up or hanging-down
- Motion detector versions
- Long lifetime of 50,000 hours (Ta 25 °C)
- Prismatic glass for comfortable light
- CE, CB, ROHS compliant

#### Application

- Building facades, retailing stores
- Gardens, underpasses
- Billboards



Commercial product name		Net Trade Price per Piece (€ net)	National Discount Group	 mm	Material Nr. (12NC)	EAN-1	
BVP105 LED9/840 PSU VWB100	24	14,00	P7	1	912401483116	8718699384111	★
<b>N</b> BVP105 LED9/840 PSU VWB100 MDU	18	30,00	P7	2	912401483141	8718699384869	
BVP105 LED25/840 PSU VWB100	16	25,00	P7	3	912401483117	8718699384128	★
<b>N</b> BVP105 LED25/840 PSU VWB100 MDU	12	42,00	P7	4	912401483142	8718699384883	
BVP105 LED45/840 PSU VWB100	12	34,00	P7	5	912401483118	8718699384135	★
<b>N</b> BVP105 LED45/840 PSU VWB100 MDU	8	53,00	P7	6	912401483143	8718699384906	★

★ = First choice

**N** = New

25



## Ledinaire floodlight maxi



### Simply great LED Switch now to great quality LED at a great price

The Ledinaire range contains a selection of popular off-the-shelf LED luminaires that comes with the Philips high quality levels at a competitive price. Reliable, energy-efficient and affordable – just what you need.

#### Benefits

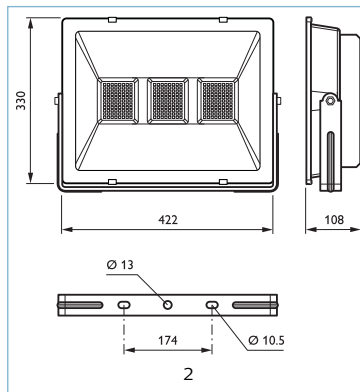
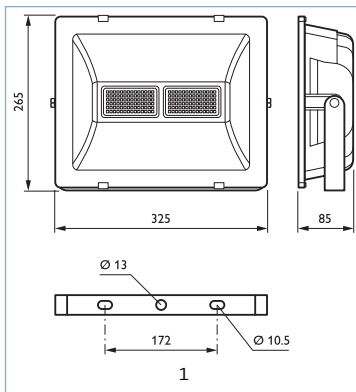
- Philips quality and reliability
- Energy saving: 1:1 retrofit up to HPI-TP 400 W
- Quick installation without opening the floodlight
- Philips high-quality finish, robust and fully reliable



#### Features

- Highly efficient : 100 lm/W Two system flux models : 10 klm/100 W and 20 klm/200 W Long lifetime of 50,000 hours (Ta 25 °C) Robust (IK08) and waterproof (IP65) floodlights 0.5 m prewired cable (class1) Standing-up or hanging-down mounting Compliant with CE, CB, ROHS Salt spray 500 hours Clear tempered glass LOR > 86

#### Application

- Car parks
- Industrial areas
- Dockyards
- Security / amenity lighting



Commercial product name		Net Trade Price per Piece (€ net)	National Discount Group		Material Nr. (12NC)	EAN-1
BVP106 LED100/740 PSU VWB100	5	100,00	P7	1	912401483114	8718699384067 ★
BVP106 LED200/740 PSU VWB100	1	176,00	P7	2	912401483115	8718699384081 ★

★ = First choice



## Coreline tempo small



### Cost-effective solution for area and facade lighting

CoreLine tempo small is a highly efficient range of luminaires designed for 1:1 retrofit replacement of conventional technology, while retaining the same electrical installation and poles. It offers lower power consumption and requires less investment than conventional installations. A limited range of options makes it easy to find the best lux-for-lux replacement.

The easy-to-install CoreLine tempo small offers a system flux that covers many different application areas and it comes with both high-performance asymmetrical and symmetrical optics.

#### Benefits

- Fast payback: energy savings up to 57%

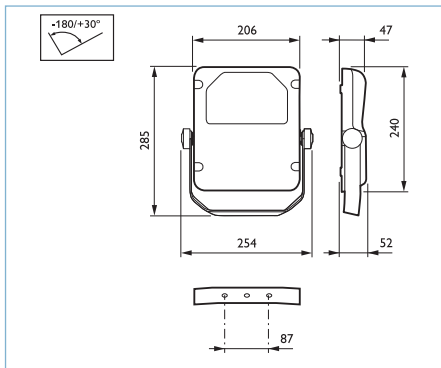
- Low-maintenance thanks to the long lifetime of the luminaire; simple to install and connect
- Robust, high-quality finish


#### Features

- Highly efficient : up to 110 lm/W
- Designed for 1:1 retrofit replacement of conventional technology up to 70 W HID
- Long lifetime of 70,000 hours (L80B10 at Ta 25 °C)
- System flux : 4,200 lm
- High-performance asymmetrical and symmetrical optics
- External quick 3-pole IP68 connector
- High surge protection : 10 kV

#### Application

- Billboards/advertising lighting
- Landscape features
- Security and amenity lighting
- General lighting



Commercial product name		Net Trade Price per Piece (€ net)	National Discount Group	Material Nr. (12NC)	EAN-1
BVP110 LED42/NW A	1	131,00	P1	911401555231	8710163306353
BVP110 LED42/NW S	1	131,00	P1	911401555331	8710163306360



## Coreline tempo medium



### Cost-effective floodlight solution for outdoor and indoor applications

CoreLine tempo medium is a highly efficient range of floodlights designed for 1:1 retrofit replacement of conventional technology, while retaining the same electrical installation and poles. A limited range of options makes it easy to find the best lux-for-lux replacement. The easy-to-install CoreLine tempo medium offers lumen packages for many different application areas as well as a choice of high-performance asymmetrical and symmetrical optics. It includes a U-shaped universal mounting bracket and external quick 3-poles IP68 connector.

#### Benefits

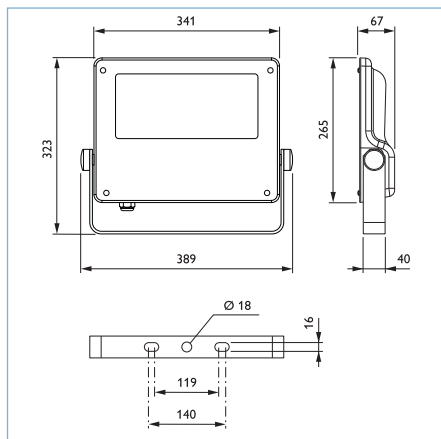
- Fast payback: energy savings of 65% Low maintenance thanks to the long lifetime of the luminaire: simple to install and connect Robust, high-quality finish


#### Features

- Highly efficient: up to 130 lm/W Designed for 1:1 retrofit replacement of conventional technology: 150 W HID and up to 250 W HPI-T System flux: 8,000, 12,000 lm Long lifetime of 70,000 hours (L80B10 at Ta 25°C) High-performance asymmetrical and symmetrical optics U-shaped universal mounting bracket and external quick 3-pole IP68 connector High surge protection: 6 kV/8 kV Robust design IP66-IK08 Compliance with: CE, ENEC, ROHS Options for projects : Dali control, CCT 3,000 K Prewired cable, special coating

#### Application

- Areas and recreational sports facilities
- Building facades
- Billboards



Commercial product name		Net Trade Price per Piece (€ net)	National Discount Group	Material Nr. (12NC)	EAN-1
BVP125 LED80-4S/740 A	1	205,00	P1	912300024002	8718699455880
BVP125 LED80-4S/740 S	1	205,00	P1	912300024004	8718699455903
BVP125 LED120-4S/740 A	1	227,00	P1	912300024001	8718699455873
BVP125 LED120-4S/740 S	1	227,00	P1	912300024003	8718699455897



## Coreline tempo large



### Cost-effective floodlight solution for area lighting

CoreLine tempo large is a highly efficient range of floodlights designed for 1:1 retrofit replacement of conventional technology, while retaining the same electrical installation and poles. A limited range of options makes it easy to find the best lux-for-lux replacement. The easy-to-install CoreLine tempo large offers lumen packages for many different application areas as well as a choice of high-performance asymmetrical and symmetrical optics. U-shaped universal mounting bracket and external quick 3-poles IP68 connector.

#### Benefits

- Fast payback: energy savings of 65%
- Low maintenance thanks to the long lifetime of the luminaire: simple to install and connect
- Robust, high-quality finish

#### Features

- Highly efficient: up to 130 lm/W

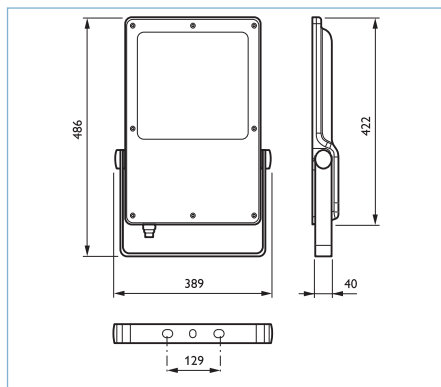
- Designed for 1:1 retrofit replacement of conventional technology up to 400 W HPI-T
- System flux: 8000, 12000, 16 000, 21,000 and 26,000 lm
- Long lifetime of 70,000 hours (L80B10 at Ta 25 °C)
- High-performance asymmetrical and symmetrical optics
- U-shaped universal mounting bracket and external quick 3-pole IP68 connector
- High surge protection : 6 kV/8 kV
- Robust design IP66-IP68
- Extension of the options for projects : Dali control, 3,000 K CCT, special coatings. . .


#### Environment

- ENEC

#### Application

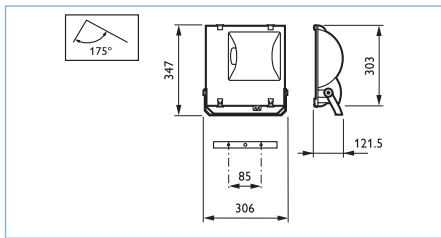
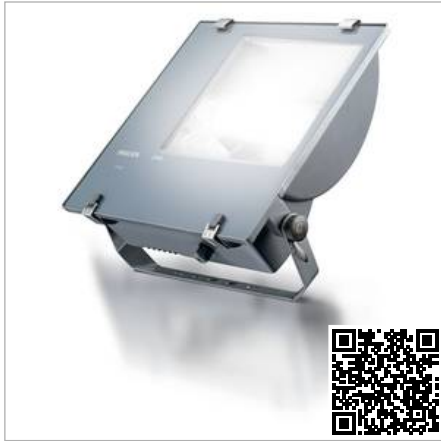
- Areas and recreational sports facilities
- Building facades
- Billboards
- Landscape features
- Security and amenity lighting



Commercial product name		Net Trade Price per Piece (€ net)	National Discount Group	Material Nr. (12NC)	EAN-1
BVP130 LED160-4S/740 A	1	384,00	P1	912300023662	8718699096410
BVP130 LED160-4S/740 S	1	384,00	P1	912300023665	8718699096441
BVP130 LED210-4S/740 A	1	462,00	P1	912300023661	8718699096403
BVP130 LED210-4S/740 S	1	462,00	P1	912300023664	8718699096434
BVP130 LED260-4S/740 A	1	544,00	P1	912300023660	8718699096397
BVP130 LED260-4S/740 S	1	544,00	P1	912300023663	8718699096427



## Tempo 1 RVP151



### Tempo – compact and consistent

Tempo is a complete floodlighting range offering a wide choice of lamp types and symmetrical and asymmetrical reflectors. It is designed for general-purpose floodlighting, and is particularly suited to small- to medium-scale area or surface lighting. The Tempo series' compact housing guarantees optimum visual integration. Anodized-aluminum reflectors ensure a highly efficient beam distribution, while the nylon bolt caps feature a goniometric aiming device for easy adjustment and alignment. A universal mounting bracket allows ceiling, wall or surface mounting with a wide range of adjustment for both down- and uplighting. Tempo's all-weather construction is designed to make cleaning and servicing easy and fast. Access to the lamp and gear is simple, via the hinged front glass with its quick-release stainless-steel clips. All Tempo luminaires are RoHS-compliant.

### Benefits


- Complete floodlighting range with a wide choice of lamp types and symmetrical or asymmetrical reflectors for highly efficient beam distribution
- Ideal for a variety of outdoor applications from architectural, facade and billboard lighting to area and (leisure) sports lighting
- Optimal visual integration with compact housing and metallic grey finish

### Features

- Wide choice of lamp types
- Symmetrical and asymmetrical reflectors
- Compact housing with metallic grey finish
- Aiming device
- Hinged front glass with quick-release clips

### Application

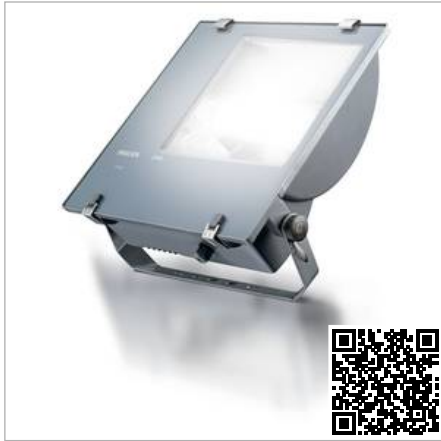
- Facades
- Billboards
- Architectural lighting

Commercial product name		Net Trade Price per Piece (€ net)	National Discount Group	Material Nr. (12NC)	EAN-1
RVP151 MHN-TD70W IC A	1	61,00	P1	910503695018	8717943897520
RVP151 MHN-TD70W IC S	1	61,00	P1	910503694918	8717943897513





## Tempo 2 RVP251



### Tempo – compact and consistent

Tempo is a complete floodlighting range offering a wide choice of lamp types and symmetrical and asymmetrical reflectors. It is designed for general-purpose floodlighting, and is particularly suited to small- to medium-scale area or surface lighting. The Tempo series' compact housing guarantees optimum visual integration. Anodized-aluminum reflectors ensure a highly efficient beam distribution, while the nylon bolt caps feature a goniometric aiming device for easy adjustment and alignment. A universal mounting bracket allows ceiling, wall or surface mounting with a wide range of adjustment for both down- and uplighting. Tempo's all-weather construction is designed to make cleaning and servicing easy and fast. Access to the lamp and gear is simple, via the hinged front glass with its quick-release stainless-steel clips. All Tempo luminaires are RoHS-compliant.

### Benefits

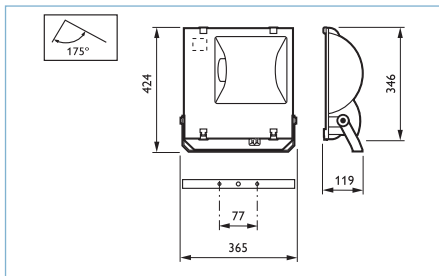
- Complete floodlighting range with a wide choice of lamp types and symmetrical or asymmetrical reflectors for highly efficient beam distribution
- Ideal for a variety of outdoor applications from architectural, facade and billboard lighting to area and (leisure) sports lighting
- Optimal visual integration with compact housing and metallic grey finish


### Features

- Wide choice of lamp types
- Symmetrical and asymmetrical reflectors
- Compact housing with metallic grey finish
- Aiming device
- Hinged front glass with quick-release clips

### Application

- Facades
- Area lighting
- Architectural lighting
- Billboards

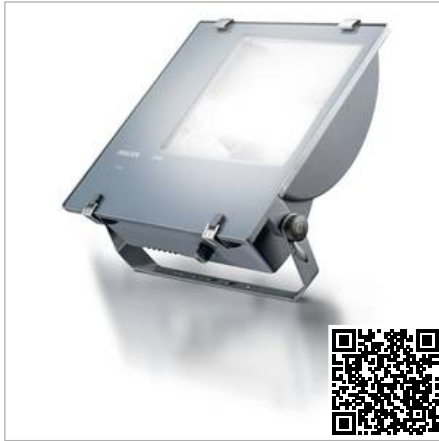


Commercial product name		National Lamp Fee <sup>1</sup>	Net Trade Price per Piece (€ net)	National Discount Group	Material Nr. (12NC)	EAN-1
RVP251 MHN-TD150W/842 IC A	1	fee relevant	79,00	P1	910502547418	8711559149608
RVP251 MHN-TD150W/842 IC S	1	fee relevant	79,00	P1	910502547518	8711559149615
RVP251 SON-TPP150W K IC A	1	fee relevant	79,00	P1	910502548018	8711559149660

<sup>1</sup> Product fee relevant according local regulation



## Tempo 3 RVP351



## Tempo – compact and consistent

Tempo is a complete floodlighting range offering a wide choice of lamp types and symmetrical and asymmetrical reflectors. It is designed for general-purpose floodlighting, and is particularly suited to small- to medium-scale area or surface lighting. The Tempo series' compact housing guarantees optimum visual integration. Anodized-aluminum reflectors ensure a highly efficient beam distribution, while the nylon bolt caps feature a goniometric aiming device for easy adjustment and alignment. A universal mounting bracket allows ceiling, wall or surface mounting with a wide range of adjustment for both down- and uplighting. Tempo's all-weather construction is designed to make cleaning and servicing easy and fast. Access to the lamp and gear is simple, via the hinged front glass with its quick-release stainless-steel clips. All Tempo luminaires are RoHS-compliant.

## Benefits

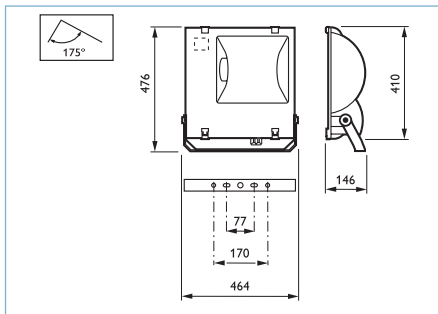
- Complete floodlighting range with a wide choice of lamp types and symmetrical or asymmetrical reflectors for highly efficient beam distribution
- Ideal for a variety of outdoor applications from architectural, facade and billboard lighting to area and (leisure) sports lighting
- Optimal visual integration with compact housing and metallic grey finish

## Features

- Wide choice of lamp types
- Symmetrical and asymmetrical reflectors
- Compact housing with metallic grey finish
- Aiming device
- Hinged front glass with quick-release clips

## Application

- Facades
- Area lighting
- Architectural lighting
- Billboards



Commercial product name		National Lamp Fee <sup>1</sup>	Net Trade Price per Piece (€ net)	National Discount Group	Material Nr. (12NC)	EAN-1
RVP351 CDM-T MW 360W/842 K IC A	1	fee relevant	135,00	P1	912401483029	8718699381066
RVP351 CDM-T MW 360W/842 K IC S	1	fee relevant	135,00	P1	912401483030	8718699381073
RVP351 HPI-TP250W K IC A	1	fee relevant	96,00	P1	910502548418	8711559149707
RVP351 HPI-TP250W K IC S	1	fee relevant	96,00	P1	910502548518	8711559149714
RVP351 SON-TPP250W K IC S	1	fee relevant	96,00	P1	910502548918	8711559149752

<sup>1</sup> Product fee relevant according local regulation



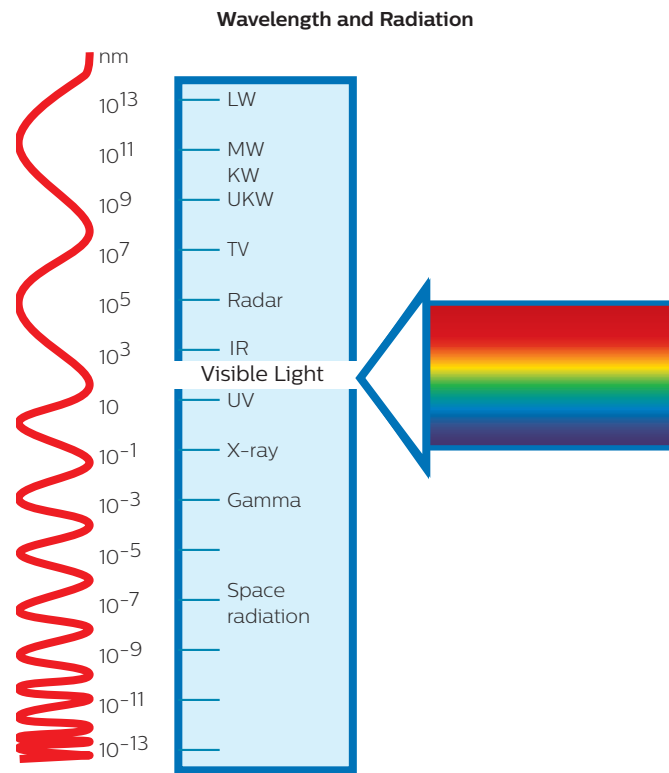
**Radiation**

Radiation is the emission and transmission of energy in the form of electro-magnetic waves of a specific frequency and wavelength. The propagation velocity of the electro-magnetic waves in vacuum is approx. 300,000 km/s independent of the frequency. In radioparent gases, fluids and solid bodies the propagation velocity is always less than in vacuum. Most physical phenomena related to the propagation of radiation can be explained with the theory of electro-magnetic waves.

Interactions between matter and radiation though are explained with quantum theory. It states that energy is emitted and absorbed only in elementary quantities by so called quanta or photons. Examples of phenomena taken from quantum theory are photo electric, chemical or biological effects.

**2. Optical radiation**

Optical radiation represents a small part of the spectrum of electromagnetic waves of about 1 nm to 1 mm wavelength. It comprises visible radiation, which stimulates the sensation of brightness in the eye and is called light as well as the two adjacent kinds of radiation in the spectrum.



These two are ultra-violet radiation (UV) in the direction of shorter wavelengths and infrared radiation (IR) in the direction of longer wavelengths. The behaviour of the various kinds of optical radiation is largely similar, they can all be generated by artificial radiation sources and directed using optical modules.

Optical radiation is subdivided as follows, taking into account the fact that the boundaries cannot be clearly defined and that, in the case of light, they depend on the individual person's visual faculties:

Optical radiation	
<b>Ultra violet radiation</b>	<b>Infrared radiation</b>
UV-C 100 nm – 280 nm	IR-A 780 nm – 1,4 µm
UV-B 280 nm – 315 nm	IR-B 1,4 µm – 3,0 µm
UV-A 315 nm – 380 nm	IR-C 3,0 µm – 1,0 mm
<b>Visible radiation:</b>	
Light 380 nm – 780 nm	

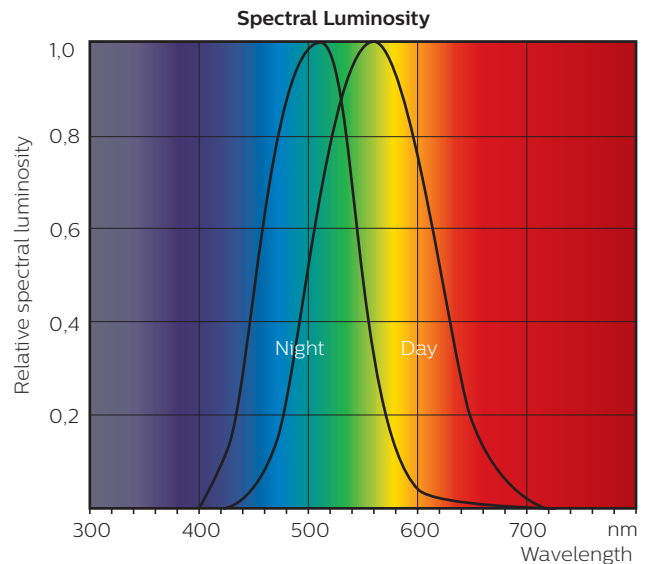
UV-C radiation has a bactericide effect and causes erythem (redness of the skin) and conjunctivitis. Radiation with wavelengths under 200 nm generates ozone from oxygen. UV-B radiation causes erythem and generates vitamin D in the body. UV-A radiation tans the skin without causing a sunburn. It stimulates certain substances to generate fluorescence and is therefore used to analyse cheques and bank notes as well as to create decorative effects in advertising. Infrared radiation (IR) is being absorbed by material and transformed into heat especially in the shortwave range.

The spectrum of visible radiation (light) can be subdivided into various wavelength ranges, causing certain colour sensations in the human eye:

Wavelength ranges			
violet	380 nm – 436 nm	yellow	566 nm – 589 nm
blue	436 nm – 495 nm	orange	589 nm – 627 nm
green	495 nm – 566 nm	red	627 nm – 780 nm

**3. Spectral luminosity of the eye**

The human eye exhibits various sensitivities to visible radiation depending on its wavelength. Although possessing the same efficiency, a light stimulus of 555 nm e.g. is perceived as much brighter than light stimuli of 400 nm (violet) or 700 nm (red). The CIE has defined the spectral luminosity  $V(\lambda)$  for the normal sighted eye in daylight and  $V'(\lambda)$  for sight during the night depending on the respective wavelength.

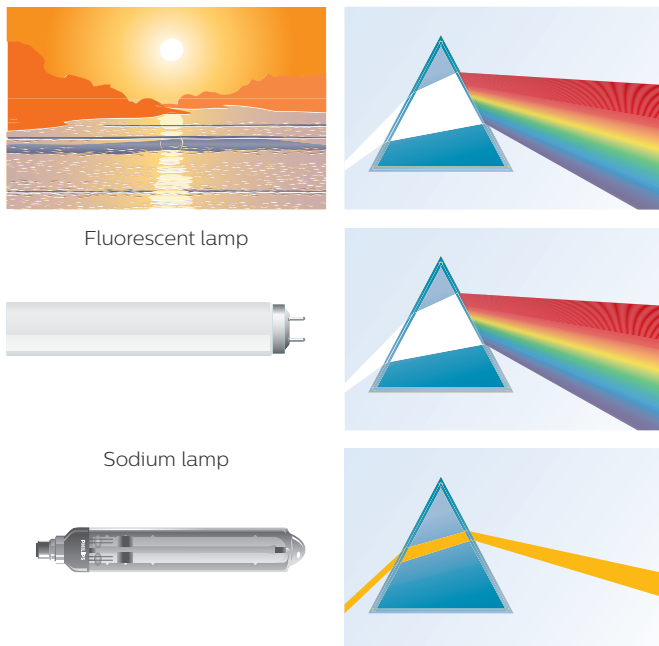


#### 4. Spectrum

White sunlight is made up of electro-magnetic waves of various lengths. Guiding a narrow beam of sunlight through a glass prism displays a colour spectrum similar to the one we see in a rainbow. During the generation of a rainbow the numerous raindrops in the air act as prisms breaking up the sunlight. Each colour represents a distinctive wavelength. All light waves taken together create the impression of white light

Coloured objects are perceived in their true colour only if the respective colour is present in the spectrum of the light source too. This is the case e.g. with the sun, incandescent and fluorescent lamps with good colour rendering qualities. If the light of a low pressure sodium lamp e.g. is guided through a glass prism though, only yellow radiation can be perceived as the spectrum of this light source lacks all colours except yellow.

Light Source and Spectrum



#### 5. Damage factor/Fading of colour

Radiation in the form of light or heat can cause damage to objects or merchandise being displayed. The extent of deterioration of objects upon exposure to light, such as fading colours, corrosion and disintegration of structure and material, depends on:

- sensitivity of the material to radiant energy
- illumination level
- time of exposure
- spectral composition of the radiation.

Without a standard classification available for the sensitivity of materials in relation to the amount of damage under a certain light source, the only indication which can be given is the 'probable damage' caused to an object.

This method ignores the spectral sensitivity of the object concerned, and only indicates the relative damage caused by one light source compared to another. Each light source can be characterised by the damage factor DF, which yields the relative damage caused by this source compared to other sources, provided that the illuminance and exposure times are constant.

The fading risk (FR) is the deterioration in colour caused by one light source, calculated for a certain period of time, relative to a reference.

A fading risk of 160 is obtained in a 'worst-case' situation, e.g. an object in a shop window illuminated by bright sunshine (10,000 lux) for a period of 1 hour.

Example 1: the formula mentioned in the table for an illuminance of 500 lux, realised with fluorescent lamps colour 830, results in a fading risk of 2. Thus the possible fading of pigments will occur 80 times slower than at the reference, FR of 160, so it is negligible.

Example 2: a projector produces 10,000 lux at a certain display. Applying e.g. a MASTERColour CDM lamp results in a fading risk of 40. Light sources with more ultraviolet radiation, such as metal-halide lamps without UV-filter or open halogen lamps, might, at high illuminances, result in damaging radiation.

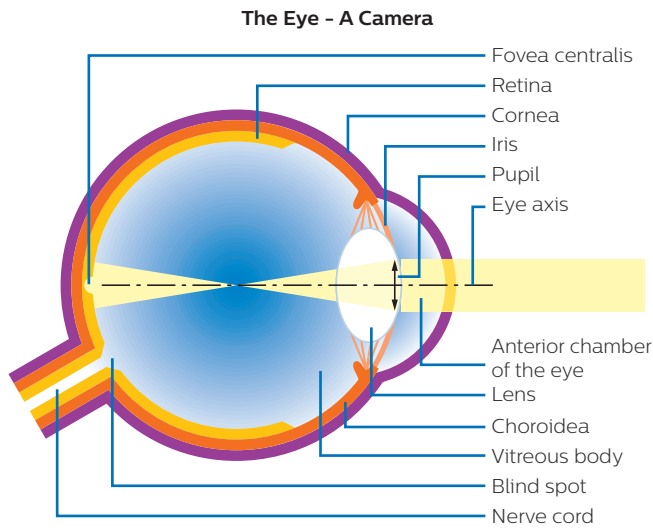
Fading risk	
Daylight conditions / light source	Damage factor
Overcast sky – average	1.52
Sunlight – average	0.79
Daylight through 4 mm window glass	0.43 - 0.68
Incandescent lamp	0.08
PAR38	0.11
PAR38 cool beam	0.07
Open halogen lamp	0.17
Closed halogen lamp	0.10
MASTERLine ES	0.10
MASTERColour CDM	0.22
White SON SDW-T	0.10
Open metal halide lamp	0.50
Closed metal halide lamp	0.25
<b>Fluorescent lamps - colour</b>	
/827	0.19
/830	0.20
/840	0.21
/850	0.22
/865	0.24
/927	0.15
/930	0.15
/940	0.18
/950	0.22
/965	0.24
/29	0.17
/33	0.24
/79	0.22
FR = 0.02 x DF x E x T where	
FR = fading risk	
DF = damage factor	
E = illuminance in lux	
T = exposure time in hours	

#### 6. Black body

The black body is an ideal thermal radiator which absorbs all occurring radiation. It neither transmits nor reflects radiation. Its radiation characteristics are known in detail and can be precisely calculated for all wavelengths and temperatures. The major part of the radiation is emitted in the infrared range. The radiance increases considerably with rising temperatures, causing a shift of the maximum to the shorter wavelengths. Efficient light generation with thermal radiators therefore requires the highest possible temperatures, using materials with high fusion temperatures.

### 7. Vision

Vision is, quite naturally, based on how our eye brain system sees objects. Although the eye is sometimes compared to a camera - because both have a lens and light sensitive receptor - there are many differences



The clear transparent cornea accounts for the major part of the eye's refractive power, making it possible to create an image of the perceived object on the retina. The anterior chamber of the eye gives the lens the required room for accommodation. The iris functions as aperture and the pupil restricts the light incidence. The retina contains the receptors for the light stimulus. These are on the one hand 130 million rods enabling vision even in twilight and at night without colour perception though. On the other hand, the 7 million cones of the retina enable vision in daylight and the perception of colours. The lens' radius of curvature is variable and can thus adapt the eye to the respective distance of vision. At the spot where the nerve cord exits the eye the retina contains neither rods nor cones, it is therefore also called blind spot. At the level of the optical axis there is a high concentration of cones. This designates the area of sharp vision, called fovea centralis.

### 8. Adaptation

The eye's ability to adjust itself to varying luminances by modifying the pupil's aperture is called adaptation, enabling a constant visual power over a wide range of illuminances. The time sequence of the adaptation depends primarily on the luminance at the beginning and end of the adaptation. If the illuminance changes from light to dark (dark adaptation) the duration of the adaptation is very long (over 30 min.). Light adaptation (from dark to light) is much quicker.

### 9. Contrast and contrast sensitivity

Objects can be distinguished primarily on the basis of the difference in luminance and colour between the object and its immediate surroundings. Subjective contrast is the evaluation of the difference between two directly consecutive impressions. The objective definition of the luminance contrast  $L_c$  is expressed in the following equation:

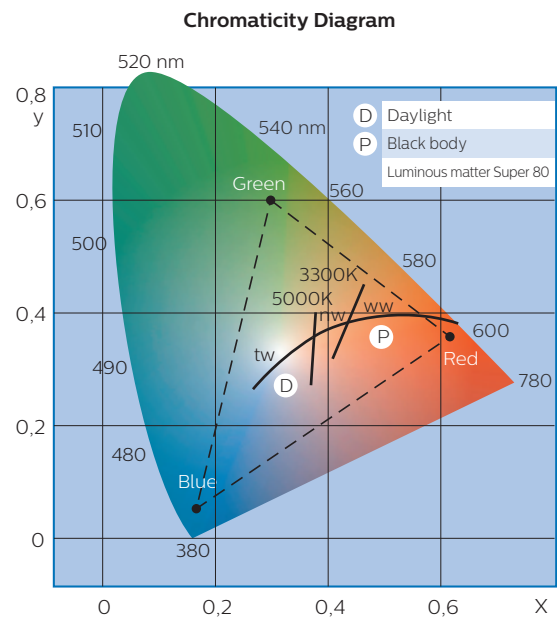
$$L_c = \frac{L_2 - L_1}{L_1}$$

$L_1$  = Luminance of the background  
 $L_2$  = Luminance of the object

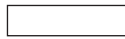
The contrast sensitivity expresses the least possible luminance contrast the eye can discern. Contrast sensitivity is influenced by the luminance, the adaptation of the eye and other ambient conditions such as glare from light sources in the visual field.

### 10. Object colours, chromaticity diagram, light colour

The perception of colour is caused by visible radiation stimulating the receptive system of the eye. The colour stimulus originates either directly from a light source or an object being illuminated or shone through. Object colours are generated by illumination and depend on the respective light's spectrum as well as the object's degree of spectral reflectance. The chromaticity diagram enables the exact determination of each colour utilizing the two colour value coordinates  $x$  and  $y$ . The diagram was defined by the international lighting commission in 1931. To this end a graph representing the spectrum from 380 nm (violet) to 520 nm (green) and 780 nm (red) was placed in a cross-plot containing  $x$ - and  $y$ -coordinates. This spectrum locus is being closed by the purple boundary. The chromaticity diagram includes all real colours. Achromatic in the colourimetric sense is situated at the centre of the chromaticity diagram with the chromaticity coordinates  $x = y = 0.333$ . The graph in the chromaticity diagram contains the temperature values in Kelvin of a black body being heated to the respective temperature (Planck's radiation). The light colours of the various light sources are described by the  $x$ - and  $y$ -values. The temperature values (colour temperature) designate the light colour of a light source. A light source outside the Planckian locus is described by the most similar colour temperature with the aid of an auxiliary diagram containing lines transverse to the Planckian locus (Judd lines).



permitted



non permitted



**h = Hanging or Base Up (BU)**

H 105	H 45	h10	h15	h30	h45	h90	h110	h120

**hor/ver = Horizontal or Vertical**

	hor/ver15	hor/ver20	hor/ver30	

**s = Standing or Base Down (BDH)**

S 45	S 135	s5	s10	s15	s30	s45	s90	s105
		s112	s115	s120	s130	s135		

**vbu/vbd = Vertical or Base Up/Base Down**

vbu/vbd 60	vbu/vbd20	vbu/vbd30	vbu/vbd45	vbu/vbd60	vbu/vbd75	vbu/vbd90

**p = Parallel or Horizontal (HOR)**

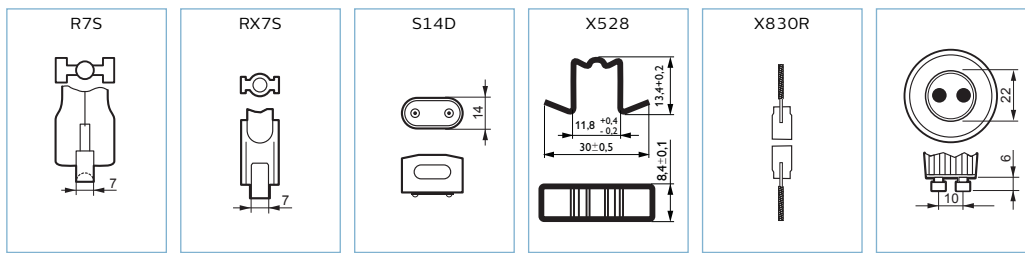
P -90+45	P 20	p4	p5	p10	p11	p12	p13	p14
		p15	p20	p45	p75	p-90+45	p100	p112

**any = any or Universal (U)**

any	
-----	--

(P)SFC 	2G7 	2G11 	2GX13 	B15 	BA15D 	BY22D 	CABLE 
DOUBLEENDED 	E14 	E27 	E40 	FA6 	FC2 	G4 	G5 
G8.5 	G9 	G10Q 	G12 	G13 	G23 	G24D-1 	G24D-2 
G24D-3 	G24Q-1 	G24Q-2 	G24Q-3 	G53 	GR8 	GR10Q 	GR14Q-1 
GU4 	GU5.3 	GU6.5 	GU10 	GX8.5 	GX10 	GX12-1 	GX22 
GX24D-1 	GX24D-2 	GX24D-3 	GX24Q-1 	GX24Q-2 	GX24Q-3 	GX24Q-4 	GX24Q-5 
GY6.35 	PG12-1 	PG12-2 	PGJ5 	PGX12-2 	PGZ12 	PGZ18 	PGZX18 





Type	EAN-1	Material Nr. (12NC)	National Lamp Fee <sup>1</sup>	Net Trade Price per Piece (€ net)	#
BN132C LED6S/830 PSU L600	8718696072486	910503910161		10,60	358
BN132C LED6S/840 PSU L600	8718696072479	910503910160		10,60	358
BN132C LED9S/830 PSU L900	8718696072462	910503910159		13,90	358
BN132C LED9S/840 PSU L900	8718696072455	910503910158		13,90	358
BN132C LED12S/830 PSU L1200	8718696072448	910503910157		15,70	358
BN132C LED12S/840 PSU L1200	8718696072431	910503910156		15,70	358
BRP101 LED37/740 II DM 42-60A		910925865339		113,00	373
BRP102 LED55/740 II DM 42-60A		910925865341		146,00	373
BRP102 LED75/740 II DM 42-60A		910925865343		155,00	373
BRP102 LED110/740 II DM 42-60A		910925865345		165,00	373
BVP105 LED9/840 PSU VWB100	8718699384111	912401483116		14,00	388
BVP105 LED25/840 PSU VWB100	8718699384128	912401483117		25,00	388
BVP105 LED45/840 PSU VWB100	8718699384135	912401483118		34,00	388
BVP106 LED100/740 PSU VWB100	8718699384067	912401483114		100,00	389
BVP106 LED200/740 PSU VWB100		912401483115		176,00	389
CorePro LEDbulb ND 5.5-40W A60 E27 827	8718696577578	929001234202	fee relevant	2,10	39,40
CorePro LEDbulb ND 8-60W A60 E27 827	8718696577554	929001234302	fee relevant	2,50	39,40
CorePro LEDbulb ND 11-75W A60 E27 827	8718696490761	929001234402	fee relevant	2,90	39,40
CorePro LEDbulb ND 13-100W A60 E27 827	8718696490747	929001234502	fee relevant	3,60	40
CorePro LEDbulb ND 18.5-120W E27 827 A67	8718696701676	929001313202	fee relevant	5,90	40
CorePro LEDbulb ND 22.5-150W E27 827 A80	8718696770351	929001817302	fee relevant	9,00	40
CorePro LEDcandle ND 5.5-40W E14 827 B35 FR	8718291762386	929001157702	fee relevant	2,30	65
Corepro LEDspot 3.5-35W GU10 827 36D	8718696752531	929001217862	fee relevant	2,20	58,59
Corepro LEDspot 4.6-50W GU10 827 36D	8718696752517	929001215232	fee relevant	2,50	58,59
Corepro LEDspot 550lm GU10 830 120D	8718696686881	929001297232	fee relevant	2,50	58,59
CorePro LEDtube 600mm 8W840	8718696711033	929001338602	fee relevant	4,50	85
CorePro LEDtube 600mm 8W865	8718696711057	929001338702	fee relevant	4,50	85
CorePro LEDtube 1200mm 14.5W840	8718696711071	929001338802	fee relevant	5,40	85
CorePro LEDtube 1200mm 14.5W865	8718696711095	929001338902	fee relevant	5,40	85
CorePro LEDtube 1500mm 20W 840	8718696710913	929001337902	fee relevant	7,20	85
CorePro LEDtube 1500mm 20W 865	8718696710951	929001338002	fee relevant	7,20	85
CorePro lustre ND 5.5-40W E14 827 P45 FR	8718696474891	929001157802	fee relevant	2,30	63,64
DN065B LED10S/840 PSU II WH	8718699381769	910503910332		12,80	345
DN065B LED20S/840 PSU II WH	8718699381783	910503910334		18,50	345
LED classic 60W A60 E27 WW FR ND 1CT/10	8718696472187	929001243082	fee relevant	2,50	37
PILA LED 35W GU10 WW 36D ND	8727900964479	929001250331	fee relevant	1,50	305
PILA LED 40W A60 E27 WW FR ND	8727900964035	929001252131	fee relevant	1,50	300
PILA LED 40W B35 E14 WW FR ND	8727900964196	929001253631	fee relevant	1,70	301
PILA LED 40W P45 E14 WW FR ND	8727900964271	929001253731	fee relevant	1,70	302
PILA LED 50W GU10 WW 36D ND	8727900964516	929001250431	fee relevant	1,60	305
PILA LED 60W A60 E27 WW FR ND G3	8727900964073	929001313531	fee relevant	1,70	300
PILA LED 75W A60 E27 CW FR ND G3	8727900964134	929001365631	fee relevant	2,10	300
PILA LED 100W A67 E27 WW FR ND	8727900963977	929001252931	fee relevant	2,80	300
RC060B LED32S/840 PSU W60L60		910503910201		40,20	323
RC065B LED32S/840 PSU W60L60 NOC	8718696073285	910503910199		36,00	324
RC065B LED34S/840 PSU W60L60 OC	8718699386474	912401483175		50,00	324
SM060C LED32S/840 PSU W20L120		910503910206		59,30	332
WLO60V LED11S/830 PSU II WH	8718699382315	912401483073		23,50	340
WLO60V LED11S/840 PSU II WH	8718699382322	912401483074		23,50	340
WLO60V LED17S/830 PSU II WH	8718699382339	912401483075		29,40	340
WLO60V LED17S/840 PSU II WH	8718699382346	912401483076		29,40	340
WTO60C LED36S/840 PSU L1200	8718699380113	910503910295		31,40	364
WTO60C LED56S/840 PSU L1500	8718699380137	910503910297		38,30	364

<sup>1</sup> Product fee relevant according local regulation



## Symbols

3-circuit Square RCS750 ..... 353

### A

Accentline ..... 213  
 Accessory ..... 353  
   3-circuit Square RCS750 ..... 353  
 Adjustable ..... 349  
   Zadora, adjustable ..... 349  
 Aluline 37/56 ..... 215  
 Aluline 111 ..... 214  
 Appendix ..... 396  
   Cap-Base Overview ..... 400  
 Appliance Oven P45 ..... 244  
 Appliance Oven Tubular ..... 243  
 Appliance Refrigerator Tubular ..... 245  
 Appliance Sewing Machine Tubular ..... 246  
 Architectural floodlighting ..... 383  
   Floodlighting ..... 383  
   Linear lighting ..... 386  
 Area and recreational ..... 388  
   Coreline tempo large ..... 392  
   Coreline tempo medium ..... 391  
   Coreline tempo small ..... 390  
   Ledinaire floodlight maxi ..... 389  
   Ledinaire floodlight mini ..... 388  
   Tempo 1 RVP151 ..... 393  
   Tempo 2 RVP251 ..... 394  
   Tempo 3 RVP351 ..... 395  
 AspiraVision Compact for CDM ..... 251

### B

Basic Light-line system ..... 356  
   CoreLine Trunking ..... 356  
 Battens ..... 358  
   For T5 fluorescent lamps ..... 361  
   For T8 fluorescent lamps ..... 363  
   LED / Module ..... 358  
 BlackLightBlue (BLB) ..... 235  
   PL-S Blacklight Blue ..... 237  
   TL Mini Blacklight Blue ..... 236  
   TL-D Blacklight Blue ..... 235  
 Bollards and Wall mounted ..... 381  
   Coreline Bollard ..... 382  
   LED Bollard II ..... 381  
 Brilliantline Alu ..... 212  
 Brilliantline Dichroic ..... 211  
 Bulb, candle and lustre ..... 307  
   PILA Halogen Classic Bulb A55, E27 ..... 307  
   PILA Halogen Classic Candle B35, E14 & E27 ..... 307  
   PILA Halogen Classic Lustre P45, E14 & E27 ..... 308  
 Bulb, candle, capsule, lustre and tube ..... 297  
   LED bulb A60, E27 ..... 297  
   LED candle B35, E14 ..... 298  
   LED candle glass B35, E14 ..... 298  
   LED lustre glass P45, E14 & E27 ..... 299  
   LED lustre P45, E14 & E27 ..... 299  
   PILA LED bulb A60/A67, E27 ..... 300  
   PILA LED candle B35, E14 ..... 301  
   PILA LED capsule ..... 301  
   PILA LED lustre P45, E14 & E27 ..... 302  
   PILA LED tube ..... 302

### C

Cap-Base Overview ..... 400  
   Appendix ..... 400  
 Capsule and Linear ..... 309  
   Halogen Capsule, G4 & GY6.35 ..... 309  
   Halogen Linear R7S ..... 310  
   PILA Capsule LV, G4 ..... 309  
   PILA Capsule MV, G9 ..... 310  
 Capsuleline ..... 217  
 Ceramic Metal Halide ..... 184

MASTER CityWhite CDO-ET ..... 188  
 MASTER CityWhite CDO-TT ..... 187  
 MASTER CosmoWhite CPO-TW & CPO-TW Xtra ..... 184  
 MASTERColour CDM MW Eco ..... 185  
 MASTERColour CDM-T Elite MW ..... 186  
 Certaline Halogen Transformers ..... 294  
 Chapter Overview ..... 2  
 Circular ESaver ..... 132  
 Classic filament LED Lamps ..... 33  
 Classic frosted LED Lamps ..... 37  
 Cleanroom ..... 367  
   Cleanroom LED CR250B ..... 367  
 Cleanroom LED CR250B ..... 367  
 ClearAccent ..... 348  
 ClearWay gen2 ..... 372  
 Color Kinetics Controls ..... 319  
   Vaya Touch Controller ..... 319  
 Colour temperature and rendering ..... 18  
 Compact Fluorescent Integrated ..... 124  
   Energy Saver Bulb shape ..... 130  
   Energy Saver Specialties ..... 132  
   Energy Saver Stick shape ..... 124  
   Energy Saver Twister shape ..... 133  
   Product Overview ..... 123  
 Compact Fluorescent Non Integrated ..... 143  
   PL-C ..... 146  
   PL-L ..... 155  
   PL-Q ..... 159  
   PL-R ..... 143  
   PL-S ..... 144  
   PL-T ..... 150  
   Product Overview ..... 142  
 Compact High Intensity Discharge ..... 164  
   MASTER SDW White SON ..... 176  
   MASTERColour CDM ..... 164  
   MHN Low Wattage Metal Halide ..... 178  
   Product Overview ..... 163  
 Consumer products ..... 297  
   Halogen Lamps ..... 307  
   Incandescent Lamps ..... 312  
   LED Lamps ..... 297  
   Product Overview ..... 296  
 Controllers ..... 261  
   Gear for SDW-T lamps ..... 261  
 Conventional luminaires ..... 374  
   Iridium SGS252/452 ..... 376  
   Iridium SGS253/453 ..... 375  
   Iridium SGS254/454 ..... 374  
   Malaga SGS101 ..... 378  
   Malaga SGS102 ..... 379  
   Selenium ..... 377  
 CoreLine Batten ..... 360  
 Coreline Bollard ..... 382  
 CoreLine Downlight ..... 342  
 CoreLine Highbay ..... 355  
 CoreLine Malaga LED ..... 373  
 CoreLine Panel ..... 327  
 CoreLine Projector ..... 352  
 CoreLine Recessed ..... 326  
 CoreLine Recessed Spot ..... 347  
 CoreLine SlimDownlight ..... 343  
 CoreLine Surface-mounted ..... 333  
 Coreline tempo large ..... 392  
 Coreline tempo medium ..... 391  
 Coreline tempo small ..... 390  
 CoreLine Trunking ..... 356  
 CoreLine Wall-mounted ..... 341  
 CoreLine Waterproof ..... 365  
 CorePro LED candles and lusters ..... 63  
 CorePro LED PLC ..... 70  
 CorePro LED PLL ..... 72  
 CorePro LEDbulbs ..... 39  
 CorePro LEDcapsule LV ..... 66  
 CorePro LEDcapsule MV ..... 67  
 CorePro LEDlinear MV ..... 68

CorePro LEDspot LV .....	56	HF-Performer Intelligent for TL5 HE/HO lamps .....	279
CorePro LEDspot MV .....	58	HF-Selectalume II for PL-T/C Strain Relief .....	290
CorePro LEDtube EM/Mains T8 .....	85	HF-Selectalume II for TL5 lamps .....	283
CorePro LEDtube InstantFit HF .....	84	HF-Selectalume II for TL-D lamps .....	284
Corporate social responsibility .....	15	Fluorescent Lamps and Starters .....	89
<b>D</b>		Product Overview .....	88
Deco Tubular .....	240	Starters for Fluorescent Lamps .....	116
Domestic Appliances .....	243	TL .....	111
Appliance Oven P45 .....	244	TL Miniature .....	114
Appliance Oven Tubular .....	243	TL5 .....	89
Appliance Refrigerator Tubular .....	245	TL-D .....	99
Appliance Sewing Machine Tubular .....	246	For T5 fluorescent lamps .....	361
Downlight DN060B .....	344	Pentura Mini .....	361
Downlights .....	342	Pentura Mini CC .....	362
Adjustable .....	349	For T8 fluorescent lamps .....	363
LED luminaires .....	342	Lineco TMSO22 .....	363
Recessed .....	350	<b>G</b>	
<b>E</b>		Gear for SDW-T lamps .....	261
EcoClick Starters .....	116	GENIE .....	127
Economy stick .....	129	GLS A60 , 24V .....	312
Economy Twister .....	134	GLS Specialties .....	241
EcoStyle .....	351	Party Lustre P45 .....	242
EFix TCS260 .....	337	Standard Extra Low Voltage A60 .....	241
Energy Saver Bulb shape .....	130	Green Starters .....	119
MASTER PL-Electronic Polar .....	130	<b>H</b>	
Softone Globe .....	131	Halogen Capsule, G4 & GY6.35 .....	309
Energy Saver Specialties .....	132	Halogen Classic A-shape .....	218
Circular ESaver .....	132	Halogen Classic BXS35 .....	222
Energy Saver Stick shape .....	124	Halogen Classic Candle B35 .....	220
Economy stick .....	129	Halogen Classic G95 .....	223
GENIE .....	127	Halogen Classic P45 .....	219
MASTER PL-Electronic .....	124	Halogen Classic T25L .....	224
MASTER Stairway .....	126	Halogen Classic T32 .....	225
Energy Saver Twister shape .....	133	Halogen Classic Twisted Candle B35 .....	221
Economy Twister .....	134	Halogen Clickline G9 .....	226
Tornado Dimmable .....	133	Halogen Dichroic, GU4 & GU5.3 .....	311
Tornado High Lumen .....	136	Halogen electronic transformers .....	293
Tornado T2 .....	138	Certaline Halogen Transformers .....	294
Tornado T2 mini .....	140	Primaline Halogen Transformers .....	293
Tornado T3 .....	137	Halogen Lamps .....	209, 307
EXC for SOX .....	257	Bulb, candle and lustre .....	307
<b>F</b>		Capsule and Linear .....	309
FastSet, Surface Mounted .....	331	LV Halogen with Reflector .....	209
Features to check before retrofitting .....	24	LV Halogen without Reflector .....	216
First choice .....	402	MV Halogen without Reflector .....	218
Floodlighting .....	383	Product Overview .....	208
Vaya Flood HP .....	383	Spot LV .....	311
Vaya Flood LP .....	384	Halogen Linear R7S .....	310
Vaya Flood MP .....	385	HalogenA IDE .....	227
Fluorescent .....	273	HF-Basic II for TL-D lamps .....	286
Fluorescent Dimming gear .....	273	HF-Essential II for TL5/TL-D .....	285
Fluorescent Fixed Output gear .....	279	HF-Matchbox Blue .....	292
Fluorescent Dimming gear .....	273	HF-Matchbox Red .....	291
HF-Regulator II for PL-L lamps .....	277	HF-Performer II for PL-T/C/R/L/TL5C lamps .....	289
HF-Regulator II for PL-T/C .....	278	HF-Performer II Xtreme for TL5/TL-D lamps .....	282
HF-Regulator II for TL5 lamps .....	275	HF-Performer III for PL-L lamps .....	288
HF-Regulator II for TL-D lamps .....	276	HF-Performer III for PL-T/C lamps .....	287
HF-Regulator Intelligent Touch DALI for PL-T/C and TL5C .....	273	HF-Performer III for TL5 lamps .....	280
HF-Regulator Intelligent Touch DALI for TL5/TL-D/PL-L lamps .....	274	HF-Performer III for TL-D lamps .....	281
HF-Regulator Intelligent Touch DALI for TL5/TL-D/PL-L lamps .....	274	HF-Performer Intelligent for TL5 HE/HO lamps .....	279
HF-Regulator II for PL-L lamps .....	277	HF-Regulator II for PL-L lamps .....	277
HF-Regulator II for PL-T/C .....	278	HF-Regulator II for PL-T/C .....	278
HF-Regulator II for TL5 lamps .....	275	HF-Regulator II for TL5 lamps .....	275
HF-Regulator II for TL-D lamps .....	276	HF-Regulator II for TL-D lamps .....	276
HF-Regulator Intelligent Touch DALI for PL-T/C and TL5C .....	273	HF-Regulator Intelligent Touch DALI for PL-T/C and TL5C .....	273
HF-Regulator Intelligent Touch DALI for TL5/TL-D/PL-L lamps .....	274	HF-Regulator Intelligent Touch DALI for TL5/TL-D/PL-L lamps .....	274
HF-Selectalume II for PL-T/C Strain Relief .....	290	HF-Selectalume II for PL-T/C Strain Relief .....	290
HF-Selectalume II for TL5 lamps .....	283	HF-Selectalume II for TL5 lamps .....	283
HF-Selectalume II for TL-D lamps .....	284	HF-Selectalume II for TL-D lamps .....	284
HID .....	251	HID .....	251
Controllers .....	261	Controllers .....	261
HID Electromagnetic .....	262	HID Electromagnetic .....	262

HID Electronic Indoor	251
HID Electronic Outdoor	257
Ignitors	271
HID Electromagnetic	262
HID-Basic BHL for HPL/HPI	267
HID-Basic BHL MK4 for HPL/HPI	266
HID-Basic BSN/BMH MK4 semi-parallel for SON/CDO/ CDM/MH/HPI	262
HID-Basic BSN/BMH semi-parallel for SON/CDO/ CDM/MH/HPI	263
HID-Basic BSN/BMH series multi-wattage for SON/CDO/ CDM/MH/HPI	264
HID-Constant wattage BSX for SOX	270
HID-HeavyDuty BHL for HPL/HPI	268
HID-HeavyDuty BSN semi-parallel for SON/CDO/MH/HPI	265
HID-HighPower for SON/MH/HPL/HPI	269
HID Electronic Indoor	251
AspiraVision Compact for CDM	251
PrimaVision Compact for CDM	252
PrimaVision for SDW-TG	256
PrimaVision Mini for CDM	253
PrimaVision Power for CDM	255
PrimaVision Twin for CDM	254
HID Electronic Outdoor	257
EXC for SOX	257
HID-PrimaVision CDM	259
PrimaVision BasePerform	260
PrimaVision for CDM Elite MW	258
HID ignitors for MK4 semi-parallel systems	272
HID ignitors for series systems	271
HID-Basic BHL for HPL/HPI	267
HID-Basic BHL MK4 for HPL/HPI	266
HID-Basic BSN/BMH MK4 semi-parallel for SON/CDO/ CDM/MH/HPI	262
HID-Basic BSN/BMH semi-parallel for SON/CDO/ CDM/MH/HPI	263
HID-Basic BSN/BMH series multi-wattage for SON/CDO/ CDM/MH/HPI	264
HID-Constant wattage BSX for SOX	270
HID-HeavyDuty BHL for HPL/HPI	268
HID-HeavyDuty BSN semi-parallel for SON/CDO/MH/HPI	265
HID-HighPower for SON/MH/HPL/HPI	269
HID-PrimaVision CDM	259
High Intensity Discharge Lamps	183, 184
Ceramic Metal Halide	184
Product Overview	182
Quartz Metal Halide	189
SON High Pressure Sodium	197
SOX Low Pressure Sodium	203
High Performance Dimming	25
High-bay	355
CoreLine Highbay	355
High-bay and low-bay	355
High-bay	355
HPI-T High Wattage	196

## I

Ignitors	271
HID ignitors for MK4 semi-parallel systems	272
HID ignitors for series systems	271
Incandescent Lamps	240, 312
Domestic Appliances	243
GLS A60, 24V	312
GLS Specialties	241
Product Overview	239
Reflector (NR/R/PAR/E/A/P/PC-shape)	247
Tubular (T-shape)	240
Indoor Accessories	318
Indoor Accessories	318
Indoor Luminaires	323
Battens	358
Downlights	342
High-bay and low-bay	355
Light-line systems	356
Product Overview	321

Projectors	351
Recessed	323
Surface mounted	331
Suspended	330
Wall mounted	340
Waterproof and cleanroom	364
InfraRed	233
InfraRed Healthcare Heat Incandescent	234
InfraRed Industrial Heat Incandescent	233
InfraRed Healthcare Heat Incandescent	234
InfraRed Industrial Heat Incandescent	233
Installer Based Smart Sensors	315
OccuSwitch	315
OccuSwitch DALI	316
OccuSwitch Wireless	317
Instantly efficient, instantly sustainable	80
Introduction	9
Iridium SGS252/452	376
Iridium SGS253/453	375
Iridium SGS254/454	374

## L

LED / Module	358
CoreLine Batten	360
Ledinaire Batten BN060C	359
Pentura Mini LED	358
LED Bollard II	381
LED bulb A60, E27	297
LED bulbs	28
Classic filament LED Lamps	33
Classic frosted LED Lamps	37
CorePro LEDbulbs	39
MASTER LEDbulbs	31
SceneSwitch LED Lamps	28
LED candle B35, E14	298
LED candle glass B35, E14	298
LED candles and lusters	61
CorePro LED candles and lusters	63
MASTER LED candles and lusters	61
Standard LED candles & lusters	65
LED capsules and specials	66
CorePro LEDcapsule LV	66
CorePro LEDcapsule MV	67
CorePro LEDlinear MV	68
LED HID replacement	73
TrueForce LED Industrial and Retail (Highbay – HPI/SON/HPL)	74
TrueForce LED Public (Urban/Road – HPL/SON)	73
LED Lamps	297
Bulb, candle, capsule, lustre and tube	297
Spot LV and MV	303
LED lamps and tubes	23–26, 28
LED bulbs	28
LED candles and lusters	61
LED capsules and specials	66
LED HID replacement	73
LED PL lamps	70
LED spots	42
LED tubes	75
Product Overview	22
LED luminaires	323, 330, 331, 342, 351, 370, 380
ClearAccent	348
ClearWay gen2	372
CoreLine Downlight	342
CoreLine Malaga LED	373
CoreLine Panel	327
CoreLine Projector	352
CoreLine Recessed	326
CoreLine Recessed Spot	347
CoreLine SlimDownlight	343
CoreLine Surface-mounted	333
Downlight DNO60B	344
EcoStyle	351
FastSet, Surface Mounted	331
Ledinaire Panel RC065B	324
Ledinaire Recessed RC060B	323

Ledinaire SlimDownlight DN065B	345	MASTER CityWhite CDO-ET	188
Ledinaire Surface-mounted SM060C	332	MASTER CityWhite CDO-TT	187
LumiStreet	371	MASTER CosmoWhite CPO-TW & CPO-TW Xtra	184
PlainView, recessed	325	MASTER HPI Plus	195
PlainView, suspended	330	MASTER HPI-T Plus	194
StreetSaver gen2	380	MASTER LED candles and lusters	61
TownGuide Core	370	MASTER LEDbulbs	31
Zadora LED	346	MASTER LEDspot ExpertColor LV	42
LED lustre glass P45, E14 & E27	299	MASTER LEDspot ExpertColor MV	44
LED lustre P45, E14 & E27	299	MASTER LEDspot LV AR111	52
LED PL lamps	70	MASTER LEDspot PAR	54
CorePro LED PLC	70	MASTER LEDtube EM/Mains T8	81
CorePro LED PLL	72	MASTER LEDtube InstantFit HF T5	76
LED spots	42	MASTER LEDtube InstantFit HF T8	78
CorePro LEDspot LV	56	MASTER LEDtube Universal T8	75
CorePro LEDspot MV	58	MASTER MHN-FC	192
MASTER LEDspot ExpertColor LV	42	MASTER MHN-LA	190
MASTER LEDspot ExpertColor MV	44	MASTER MHN-SA	189
MASTER LEDspot LV AR111	52	MASTER MHN-SB	193
MASTER LEDspot PAR	54	MASTER MHN-SE	191
MASTER VALUE LEDspot MV	50	MASTER PL-C 2 Pin	148
MASTER VALUE LEDspot LV	47	MASTER PL-C 4 Pin	149
LED tubes	75	MASTER PL-C Xtra 2 Pin	146
CorePro LEDtube EM/Mains T8	85	MASTER PL-C Xtra 4 Pin	147
CorePro LEDtube InstantFit HF	84	MASTER PL-Electronic	124
MASTER LEDtube EM/Mains T8	81	MASTER PL-Electronic Polar	130
MASTER LEDtube InstantFit HF T5	76	MASTER PL-L 4 Pin	155
MASTER LEDtube InstantFit HF T8	78	MASTER PL-L Polar 4 Pin	157
MASTER LEDtube Universal T8	75	MASTER PL-L Xtra 4 Pin	158
Other LEDtube	86	MASTER PL-R Eco 4 Pin	143
Ledinaire Batten BNO60C	359	MASTER PL-S 2 Pin	144
Ledinaire floodlight maxi	389	MASTER PL-S 4 Pin	145
Ledinaire floodlight mini	388	MASTER PL-T 2 Pin	150
Ledinaire Panel RC065B	324	MASTER PL-T 4 Pin	151
Ledinaire Recessed RC060B	323	MASTER PL-T TOP 4 Pin	153
Ledinaire SlimDownlight DN065B	345	MASTER PL-T Xtra 4 Pin	154
Ledinaire Surface-mounted SM060C	332	MASTER SDW White SON	176
Ledinaire Wall-mounted WLO60V	340	MASTER SDW-T	177
Ledinaire Waterproof WTO60C	364	MASTER SDW-TG Mini	176
LEDspots LV Affordable	303	MASTER SDW-T	177
LEDspots MV Affordable	303	MASTER SDW-TG Mini	176
Lighting Controls	315	MASTER SON APIA Plus Xtra	198
Color Kinetics Controls	319	MASTER SON PIA Plus	200
Indoor Accessories	318	MASTER SON-T APIA Plus Xtra	197
Installer Based Smart Sensors	315	MASTER SON-T PIA Plus	199
Product Overview	314	MASTER SOX-E	203
Lighting Electronics	251	MASTER Stairway	126
Fluorescent	273	MASTER TL Mini Super 80	114
Halogen electronic transformers	293	MASTER TL5 Circular	98
HID	251	MASTER TL5 High Efficiency	90
Product Overview	249	MASTER TL5 High Efficiency Eco	89
Lighting Technology	396	MASTER TL5 High Efficiency Secura	95
Lighting units	20	MASTER TL5 High Output	92
Light-line systems	356	MASTER TL5 High Output 90 De Luxe	97
Basic Light-line system	356	MASTER TL5 High Output Eco	91
Linear lighting	386	MASTER TL5 High Output Secura	96
Vaya Linear LP	386	MASTER TL5 High Output Xtra	94
Vaya Linear MP	387	MASTER TL-D 90 De Luxe	107
Lineco TMSO22	363	MASTER TL-D 90 Graphica	108
LumiStreet	371	MASTER TL-D Eco	99
LV Halogen with Reflector	209	MASTER TL-D Food	109
Accentline	213	MASTER TL-D Secura	103
Aluline 37/56	215	MASTER TL-D Super 80	100
Aluline 111	214	MASTER TL-D Xtra	104
Brilliantline Alu	212	MASTER TL-D Xtreme	105
Brilliantline Dichroic	211	MASTER TL-D Xtreme Secura	106
MASTERLine 111	210	MASTER TL-E Circular Super 80	111
MASTERLine ES	209	MASTER VALUE LEDspot MV	50
LV Halogen without Reflector	216	MASTER versus CorePro	26
Capsuline	217	MASTERCapsule	216
MASTERCapsule	216	MASTERCoulour CDM	164
<b>M</b>		MASTERCoulour CDM-R Elite	173
Malaga SGS101	378	MASTERCoulour CDM-R111	175
Malaga SGS102	379	MASTERCoulour CDM-R111 Elite	174
		MASTERCoulour CDM-Rm Elite Mini	172



MASTERColour CDM-T	165	PILA LED Spots R50 & R63	306
MASTERColour CDM-T Elite	164	PILA LED tube	302
MASTERColour CDM-TC	167	PILA LF Super 80, T8	102
MASTERColour CDM-TC Elite	166	PlainView, recessed	325
MASTERColour CDM-TD	171	PlainView, suspended	330
MASTERColour CDM-Tm Elite Mini	168	PL-C	146
MASTERColour CDM-Tm Mini PGJ5	169	MASTER PL-C 2 Pin	148
MASTERColour CDM-TP	170	MASTER PL-C 4 Pin	149
MASTERColour CDM MW Eco	185	MASTER PL-C Xtra 2 Pin	146
MASTERColour CDM-R Elite	173	MASTER PL-C Xtra 4 Pin	147
MASTERColour CDM-R111	175	PL-L	155
MASTERColour CDM-R111 Elite	174	MASTER PL-L 4 Pin	155
MASTERColour CDM-Rm Elite Mini	172	MASTER PL-L Polar 4 Pin	157
MASTERColour CDM-T	165	MASTER PL-L Xtra 4 Pin	158
MASTERColour CDM-T Elite	164	PL-Q	159
MASTERColour CDM-T Elite MW	186	PL-Q 2 Pin	159
MASTERColour CDM-TC	167	PL-Q 4 Pin	160
MASTERColour CDM-TC Elite	166	PL-Q 2 Pin	159
MASTERColour CDM-TD	171	PL-Q 4 Pin	160
MASTERColour CDM-Tm Elite Mini	168	PL-R	143
MASTERColour CDM-Tm Mini PGJ5	169	MASTER PL-R Eco 4 Pin	143
MASTERColour CDM-TP	170	PL-S	144
MASTERLine 111	210	MASTER PL-S 2 Pin	144
MASTERLine ES	209	MASTER PL-S 4 Pin	145
MASTER VALUE LEDspot LV	47	PL-S Blacklight Blue	237
MHN Low Wattage Metal Halide	178	PL-T	150
MHN-TD	178	MASTER PL-T 2 Pin	150
MHN-TD	178	MASTER PL-T 4 Pin	151
MV Halogen without Reflector	218	MASTER PL-T TOP 4 Pin	153
Halogen Classic A-shape	218	MASTER PL-T Xtra 4 Pin	154
Halogen Classic BXS35	222	Plusline ES Compact	228
Halogen Classic Candle B35	220	Plusline ES Small	229
Halogen Classic G95	223	Plusline Large (double ended)	230
Halogen Classic P45	219	Primaline Halogen Transformers	293
Halogen Classic T25L	224	PrimaVision BasePerform	260
Halogen Classic T32	225	PrimaVision Compact for CDM	252
Halogen Classic Twisted Candle B35	221	PrimaVision for CDM Elite MW	258
Halogen Clickline G9	226	PrimaVision for SDW-TG	256
HalogenA IDE	227	PrimaVision Mini for CDM	253
Plusline ES Compact	228	PrimaVision Power for CDM	255
Plusline ES Small	229	PrimaVision Twin for CDM	254
Plusline Large (double ended)	230	Product Overview	
<b>O</b>		Compact Fluorescent Integrated	123
OccuSwitch	315	Compact Fluorescent Non Integrated	142
OccuSwitch DALI	316	Compact High Intensity Discharge	163
OccuSwitch Wireless	317	Consumer products	296
Operating positions	399	Fluorescent Lamps and Starters	88
Other LEDtube	86	Halogen Lamps	208
Outdoor Luminaires	370	High Intensity Discharge Lamps	182
Architectural floodlighting	383	Incandescent Lamps	239
Product Overview	369	Indoor Luminaires	321
Road and Urban Lighting	370	LED lamps and tubes	22
Sports and Area floodlighting	388	Lighting Controls	314
<b>P</b>		Lighting Electronics	249
PAR38 Colours	247	Outdoor Luminaires	369
Party Lustre P45	242	Special Lamps	232
Pentura Mini	361	Professional Lamps	28
Pentura Mini CC	362	Compact Fluorescent Integrated	124
Pentura Mini LED	358	Compact Fluorescent Non Integrated	143
Phasing out – the key stages for Philips HID lamps	183	Compact High Intensity Discharge	164
Philips Lighting University	17	Fluorescent Lamps and Starters	89
PILA Capsule LV, G4	309	Halogen Lamps	209
PILA Capsule MV, G9	310	High Intensity Discharge Lamps	184
PILA Halogen Classic Bulb A55, E27	307	Incandescent Lamps	240
PILA Halogen Classic Candle B35, E14 & E27	307	LED lamps and tubes	28
PILA Halogen Classic Lustre P45, E14 & E27	308	Lighting Electronics	251
PILA LED bulb A60/A67, E27	300	Special Lamps	233
PILA LED candle B35, E14	301	Projectors	351
PILA LED capsule	301	Accessory	353
PILA LED lustre P45, E14 & E27	302	LED luminaires	351
PILA LED Spots LV	304	<b>Q</b>	
PILA LED Spots MV	305	Quality, Value and lifetime	46
		Quartz Metal Halide	189
		HPI-T High Wattage	196



MASTER HPI Plus	195
MASTER HPI-T Plus	194
MASTER MHN-FC	192
MASTER MHN-LA	190
MASTER MHN-SA	189
MASTER MHN-SB	193
MASTER MHN-SE	191

**R**

Recent EU regulations	13
Recessed	323, 350
LED luminaires	323
With louver element	329
Zadora, fixed	350
Reflector (NR/R/PAR/E/A/P/PC-shape)	247
PAR38 Colours	247
Road and Urban Lighting	370
Bollards and Wall mounted	381
Road, Street and Industry	370
Urban City	380
Road, Street and Industry	370
Conventional luminaires	374
LED luminaires	370

**S**

Safety & Comfort Starters	118
SceneSwitch LED Lamps	28
Selenium	377
Softone Globe	131
Solution Starters	117
SON	202
SON High Pressure Sodium	197
MASTER SON APIA Plus Xtra	198
MASTER SON PIA Plus	200
MASTER SON-T APIA Plus Xtra	197
MASTER SON-T PIA Plus	199
SON	202
SON-T	201
SON-T	201
SOX	204
SOX Low Pressure Sodium	203
MASTER SOX-E	203
SOX	204
Special Lamps	233
BlackLightBlue (BLB)	235
InfraRed	233
Product Overview	232
Spectral power distribution	121, 161, 179, 205
Sports and Area floodlighting	388
Area and recreational	388
Spot LV	311
Halogen Dichroic, GU4 & GU5.3	311
Spot LV and MV	303
LEDspots LV Affordable	303
LEDspots MV Affordable	303
PILA LED Spots LV	304
PILA LED Spots MV	305
PILA LED Spots R50 & R63	306
Standard Extra Low Voltage A60	241
Standard LED candles & lusters	65
Starters for Fluorescent Lamps	116
Ecoclick Starters	116
Green Starters	119
Safety & Comfort Starters	118
Solution Starters	117
Starters for tanning lamps	120
Starters for tanning lamps	120
StreetSaver gen2	380
Surface mounted	331
LED luminaires	331
With louver element	336
Without louver element	335
Suspended	330
LED luminaires	330

Symbols used in pricelist	1
---------------------------	---

**T**

TBS165	329
TCS022	335
TCS165	336
TCW060	366
Tempo 1 RVP151	393
Tempo 2 RVP251	394
Tempo 3 RVP351	395
The clear classic goes LED	30
There's innovation in the air!	23
TL	111
MASTER TL-E Circular Super 80	111
TL-M Rapid Start Standard Colours	112
TL-X XL	113
TL Mini Blacklight Blue	236
TL Mini Standard Colours	115
TL Miniature	114
MASTER TL Mini Super 80	114
TL Mini Standard Colours	115
TL5	89
MASTER TL5 Circular	98
MASTER TL5 High Efficiency	90
MASTER TL5 High Efficiency Eco	89
MASTER TL5 High Efficiency Secura	95
MASTER TL5 High Output	92
MASTER TL5 High Output 90 De Luxe	97
MASTER TL5 High Output Eco	91
MASTER TL5 High Output Secura	96
MASTER TL5 High Output Xtra	94
TL-D	99
MASTER TL-D 90 De Luxe	107
MASTER TL-D 90 Graphica	108
MASTER TL-D Eco	99
MASTER TL-D Food	109
MASTER TL-D Secura	103
MASTER TL-D Super 80	100
MASTER TL-D Xtra	104
MASTER TL-D Xtreme	105
MASTER TL-D Xtreme Secura	106
PILA LF Super 80, T8	102
TL-D Colored	110
TL-D Blacklight Blue	235
TL-D Colored	110
TL-M Rapid Start Standard Colours	112
TL-X XL	113
Tornado Dimmable	133
Tornado High Lumen	136
Tornado T2	138
Tornado T2 mini	140
Tornado T3	137
TownGuide Core	370
TrueForce LED Industrial and Retail (Highbay – HPI/SON/HPL)	74
TrueForce LED Public (Urban/Road – HPL/SON)	73
Tubular (T-shape)	240
Deco Tubular	240

**U**

Urban City	380
LED luminaires	380

**V**

Vaya Flood HP	383
Vaya Flood LP	384
Vaya Flood MP	385
Vaya Linear LP	386
Vaya Linear MP	387
Vaya Touch Controller	319

**W**

Wall mounted	340
CoreLine Wall-mounted	341
Ledinaire Wall-mounted WLO60V	340

Waterproof and cleanroom .....	364	EFix TCS260 .....	337
Cleanroom .....	367	TBS165 .....	329
Waterproof Luminaires .....	364	TCS165 .....	336
Waterproof Luminaires .....	364	Without louver element .....	335
CoreLine Waterproof .....	365	TCS022 .....	335
Ledinaire Waterproof WT060C .....	364	<b>Z</b>	
TCW060 .....	366	Zadora LED .....	346
What's new in professional lighting? .....	9	Zadora, adjustable .....	349
Why choose Philips for LEDlamps .....	11	Zadora, fixed .....	350
With louver element .....	329, 336		

