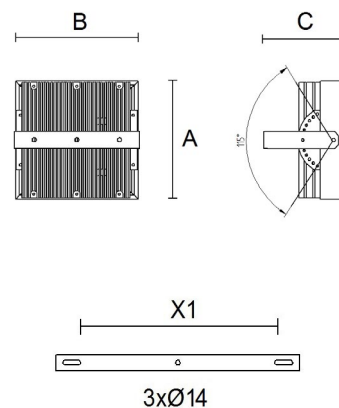




# RAY-LED

05.03.09.



| EAN code          | Light source |           |              |                  | Lighting fixture |                 |               | Description/Dimensions |            |           |           |             | Note |
|-------------------|--------------|-----------|--------------|------------------|------------------|-----------------|---------------|------------------------|------------|-----------|-----------|-------------|------|
|                   | Nr. (pcs)    | Power (W) | LED Type     | Light.ef. (lm/W) | Power (W)        | Driver          | Dimmer        | Optic mat.             | Cover opt. | Body mat. | Color RAL | Weight (kg) |      |
| Code              | CRI          | CCT (K)   | Lifetime (h) | Lum. fl. (lm)    | Ta (°C)          | Optic. eff. (%) | Lum. fl. (lm) | A                      | B          | C         | X1        | X2          |      |
| 8585012466102     | 2x           | 55        | COB          | 131              | 115              | yes             | no            | Al                     | TG         | Al        | 9006      | 7,5         |      |
| A2567LED-RAY.II.5 | 80           | 5000      | 50000        | 14400            | 25               | 86              | 12400         | 276                    | 286        | 195       | 200       | -           |      |
| 8585012463095     | 4x           | 56        | COB          | 131              | 235              | yes             | no            | Al                     | TG         | Al        | 9006      | 12,1        |      |
| A4567LED-RAY.II.5 | 80           | 5000      | 50000        | 28800            | 25               | 86              | 24800         | 456                    | 286        | 285       | 200       | -           |      |
| 858501246188      | 6x           | 56        | COB          | 131              | 325              | yes             | no            | Al                     | TG         | Al        | 9006      | 16,5        |      |
| A6567LED-RAY.II.5 | 80           | 5000      | 50000        | 43200            | 25               | 86              | 37200         | 635                    | 286        | 285       | 200       | -           |      |
| 8585012468922     | 2x           | 55        | COB          | 129              | 115              | yes             | no            | Al                     | TG         | Al        | 9006      | 7,5         |      |
| A2567LED-RAY.II.4 | 80           | 4000      | 50000        | 14140            | 25               | 86              | 12160         | 276                    | 286        | 195       | 200       | -           |      |
| 8585012468939     | 4x           | 56        | COB          | 129              | 235              | yes             | no            | Al                     | TG         | Al        | 9006      | 12,1        |      |
| A4567LED-RAY.II.4 | 80           | 4000      | 50000        | 28280            | 25               | 86              | 24320         | 456                    | 286        | 285       | 200       | -           |      |
| 8585012468946     | 6x           | 56        | COB          | 129              | 325              | yes             | no            | Al                     | TG         | Al        | 9006      | 16,5        |      |
| A6567LED-RAY.II.4 | 80           | 4000      | 50000        | 42420            | 25               | 86              | 36480         | 635                    | 286        | 285       | 200       | -           |      |
| 8585012468960     | 2x           | 55        | COB          | 131              | 115              | yes             | yes           | Al                     | TG         | Al        | 9006      | 7,5         |      |
| A2565LED-RAY.II.5 | 80           | 5000      | 50000        | 14400            | 25               | 86              | 12400         | 276                    | 286        | 195       | 200       | -           | DALI |
| 8585012468977     | 4x           | 56        | COB          | 131              | 235              | yes             | yes           | Al                     | TG         | Al        | 9006      | 12,1        | DALI |
| A4565LED-RAY.II.5 | 80           | 5000      | 50000        | 28800            | 25               | 86              | 24800         | 456                    | 286        | 285       | 200       | -           | DALI |
| 8585012468991     | 6x           | 56        | COB          | 131              | 325              | yes             | yes           | Al                     | TG         | Al        | 9006      | 16,5        | DALI |
| A6565LED-RAY.II.5 | 80           | 5000      | 50000        | 43200            | 25               | 86              | 37200         | 635                    | 286        | 285       | 200       | -           | DALI |



| EAN code          | Light source |           |              |                  | Lighting fixture |                 |               | Description/Dimensions |            |           |           |             | Note |
|-------------------|--------------|-----------|--------------|------------------|------------------|-----------------|---------------|------------------------|------------|-----------|-----------|-------------|------|
|                   | Nr. (pcs)    | Power (W) | LED Type     | Light.ef. (lm/W) | Power (W)        | Driver          | Dimmer        | Optic mat.             | Cover opt. | Body mat. | Color RAL | Weight (kg) |      |
| Code              | CRI          | CCT (K)   | Lifetime (h) | Lum. fl. (lm)    | Ta (°C)          | Optic. eff. (%) | Lum. fl. (lm) | A                      | B          | C         | X1        | X2          |      |
| 8585012468953     | 2x           | 55        | COB          | 129              | 115              | yes             | no            | Al                     | TG         | Al        | 9006      | 7,5         | DALI |
| A2565LED-RAY.II.4 | 80           | 4000      | 50000        | 14140            | 25               | 86              | 12160         | 276                    | 286        | 195       | 200       | -           |      |
| 8585012468984     | 4x           | 56        | COB          | 129              | 235              | yes             | no            | Al                     | TG         | Al        | 9006      | 12,1        | DALI |
| A4565LED-RAY.II.4 | 80           | 4000      | 50000        | 28280            | 25               | 86              | 24320         | 456                    | 286        | 285       | 200       | -           |      |
| 8585012469004     | 6x           | 56        | COB          | 129              | 325              | yes             | no            | Al                     | TG         | Al        | 9006      | 16,5        | DALI |
| A6565LED-RAY.II.4 | 80           | 4000      | 50000        | 42420            | 25               | 86              | 36480         | 635                    | 286        | 285       | 200       | -           |      |

### Účel použitia:

Svietidlo RAY-LED je určené pre osvetlenie priemyselných, skladových priestorov. Svojimi svetelno-technickými vlastnosťami dokážu spoľahlivo nahradiť staršie výbojkové svietidlá. Sú vhodné do priestorov s osvetľovacou výškou v rozsahu 5-20 m. Vďaka svojej konštrukcii osadenia LED COB spĺňajú požiadavku pre zabránenie oslnenia zo svetelného zdroja.

### Technický popis:

Svietidlo je vyrobené z Al rámu, ktorý zabezpečuje dostatočnú tuhosť celej konštrukcii svietidla. LED driver je umiestnený vo vnútri svietidla. Ako svetelný zdroj sú použité LED COB moduly od výrobcu CITIZEN s merným výkonom viac ako 130 lm/W a indexom CRI >80. Na zabezpečenie distribúcie svetla je použitý vysokoleštený Al reflektor. Celá vonkajšia zostava svietidla je povrchovo upravená práškovým nanášaním farby v základnom odtieni RAL 9006. Na pripojenie k elektrickej sieti je zo svietidla cez mosadznú priechodku PG 13,5 vyvedený trojžilový pripojovací kábel s dĺžkou 200mm (v prípade DALI verzie 5 žilový vodič). Na požiadanie je možné svietidlo osadiť konektorom v krytí IP65. Svetidlo sa pripevňuje pomocou konzoly s možnosťou uvoľnenia v rozsahu ± 60°.

### Technické parametre:

Napájacie napätie: 230V, 50Hz  
 Predradník: elektronický  
 Krytie: IP 65  
 Trieda ochrany: I.

### Inštalácia a montáž:

Svietidlo je potrebné pripevniť na pevný podklad pomocou konzoly a skrutiek M12 alebo pomocou držiaku na stožiar. Pripojenie k elektrickej sieti je jednoduché, pomocou vopred vyvedeného pripojovacieho káblu. Svetidlo po naklonení do požadovaného uhlu a dotiahnutím pomocou upevňovacej skrutky, je pripravené na prevádzku.

### Application:

RAY-LED luminaires are assigned to illuminate industrial and storage areas. They can easily replace old discharge lamp fixtures thanks to their lighting and technical characteristics. They are suitable for high-pitched ceiling spaces with illumination range of 5-20 m. Limelight is minimized due to fixture's structure of LED COB embedding.

### Technical description:

The body is made of aluminium frame which assures sufficient body sturdiness of the whole fixture. LED driver is placed inside the fixture. Light sources used are LED COB modules made by CITIZEN with power < 130 lm/W and with index CRI <80. Highly polished aluminium reflector distributes the light. All of the outside is powder coated with basic colour RAL 9006. Three core cable of length 200 mm which goes through the brass gland PG13,5 is sticking out of the fixture for power connection (5 core cable in DALI version). A connector of Ingress protection IP65 can be embedded on request. The fixture is mounted on with a console with tilt option in range ± 60°.

### Technical data:

Supply voltage: 230V, 50Hz  
 Control gear: electronic  
 Protection degree: IP 65  
 Protection class: I.

### Installation and assembly:

Mount the fixture with the console onto a steady surface using screws M12 or by holder on the mast. Plug in the connection cable that is sticking out of the fixture. Tilt the fixture to desired position, fasten the screws and the luminaire is ready for use.

