





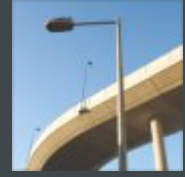
TECNOPALI North Europe is the largest lighting pole, mast and their accessories producer in Baltics as well as a distributor of Tecnopali Group products in North Europe. Tecnopali Group is a leader in designing and producing steel poles, masts and structures for public lighting, transmission and distribution of electric power and telecoms in Europe.

Scandinavian culture, local manufacturing capabilities and Tecnopali Group's technology allow us to ensure excellent service at competitive price to our customers.

Our products are designed and engineered to meet the strictest international standards. Our poles are CE certified according to EN 40-5 and safety poles according to EN 12767 (HE2/3). Safety pole tests are performed with 35km/h and 100 km/h. Production process is certified according to the **ISO 9001** requirements.

TECHNOLOGICAL GROUP

LIGHTING POLES - CONICAL



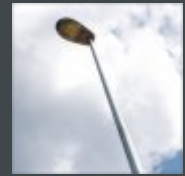
4

LIGHTING POLES - STEPPED



6

LIGHTING POLES - SOFT POLES



8

FLOODLIGHT POLES



10

HIGH MASTS



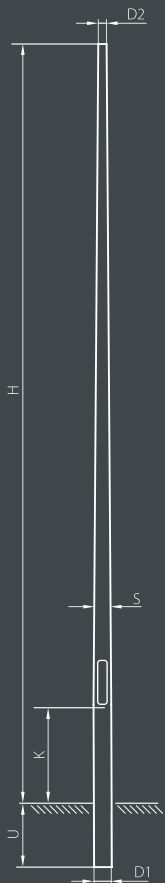
11

BRACKETS



12

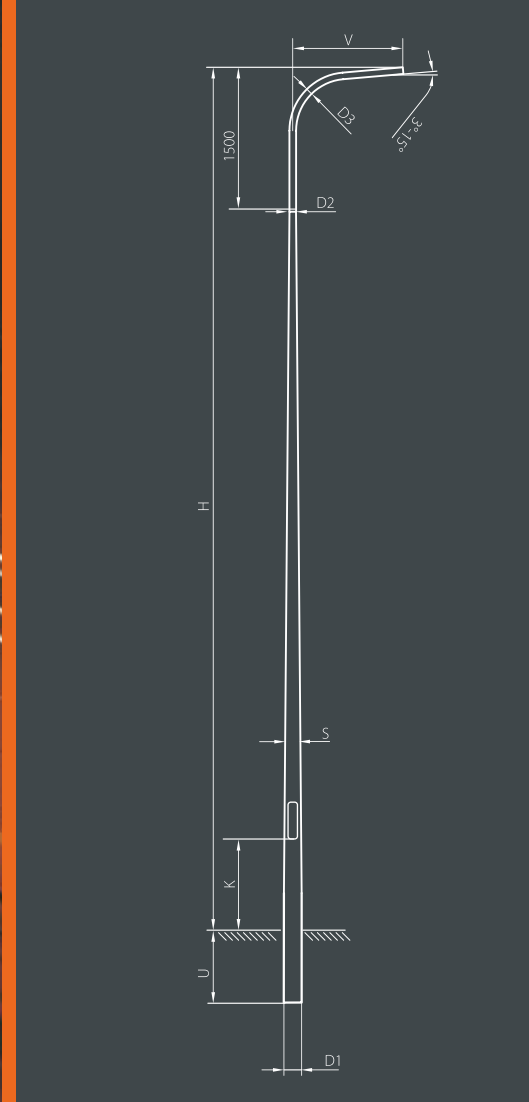
LIGHTING POLES - CONICAL



STRAIGHT CONICAL POLE

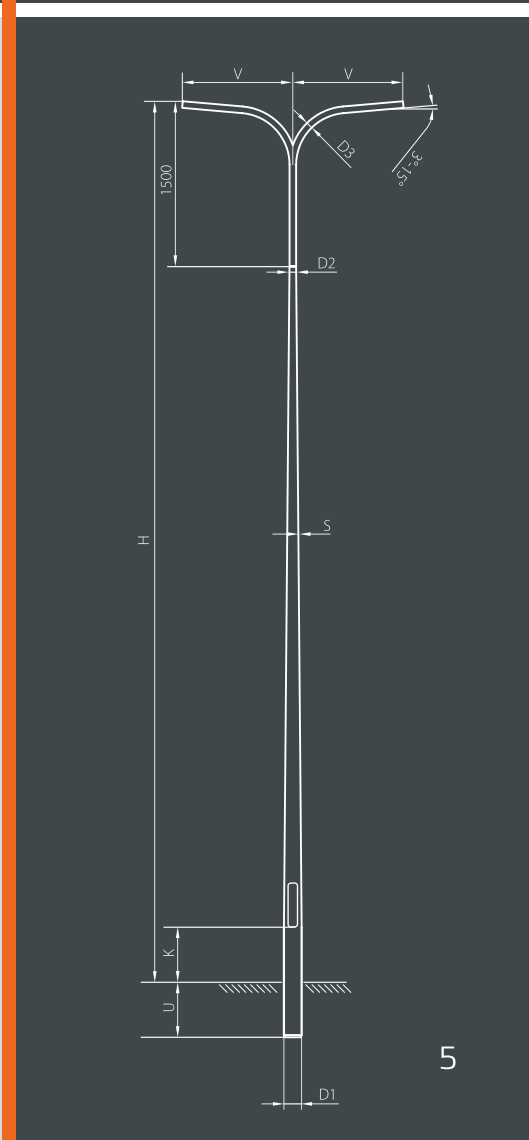
Type	H (m)	U* (mm)	K (mm)	D1 (mm)	D2 (mm)	S (mm)	M (kg)
CP3500-60	3	500	500	95	60	3	22
CP4500-60	4	500	500	105	60	3	27
CP5500-60	5	500	500	115	60	3	35
CP6500-60	6	500	500	125	60	3	44
CP7100-60	6,5	600	750	131	60	3	50
CP7100-76	6,5	600	750	147	76	4	76
CP8600-60	8	600	750	146	60	3	64
CP9100-60	8,5	600	750	151	60	3	70
CP9100-76	8,5	600	750	167	76	4	106
CP10600-60	10	600	750	166	60	3	116
CP11100-76	10,5	600	750	187	76	4	140
CP11100-89	10,5	600	750	200	89	4	155
CP12600-76	12	600	750	202	76	4	169



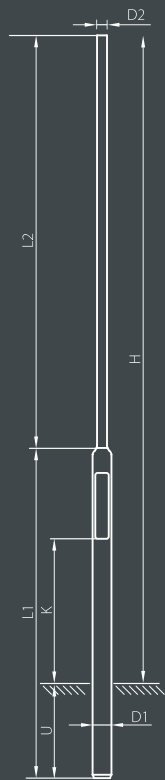


CONICAL POLE SINGLE/DOUBLE BRACKET

Type	H (m)	U* (mm)	K (mm)	V (m)	D1 (mm)	D2 (mm)	D3 (mm)	S (mm)
CP6500-60	7,5	500	500	1,0-2,5	125	60	60	3
CP7100-60	8	600	750	1,0-2,5	131	60	60	3
CP7100-76	8	600	750	1,0-2,5	147	76	76	4
CP8600-60	9,5	600	750	1,0-2,5	146	60	60	3
CP9100-60	10	600	750	1,0-2,5	151	60	60	3
CP9100-76	10	600	750	1,0-2,5	167	76	76	4
CP10600-60	11,5	600	750	1,0-2,5	166	60	60	3
CP11100-76	12	600	750	1,0-2,5	187	76	76	4
CP11100-89	12	600	750	1,0-2,5	200	89	89	4
CP12600-76	13,5	600	750	1,0-2,5	202	76	76	4

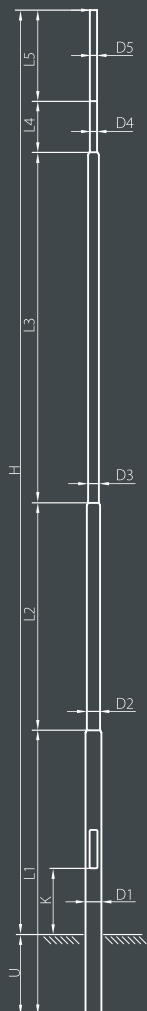


U* - instalation types - 1) In foundation 2) On flange plate 3) Embedded (U= 1,0-2,0m)



STEPPED PARK POLES

Type	H (m)	U' (mm)	K (mm)	D1 (mm)	D2 (mm)	L1 (mm)	L2 (mm)	M (kg)
STP35-108-2	3	500	1000	108	60	2000	1500	22
ST35-114-2	3	500	500	114	60	1500	2000	29
STP45-108-2	4	500	1000	108	60	2000	2500	26
STP45-114-2	4	500	500	114	60	1500	3000	33
STP55-108-2	5	500	1000	108	60	2000	3500	30
ST55-114-2	5	500	500	114	60	2000	3500	38
STP65-108-2	6	500	1000	108	60	3000	3500	38
STP65-114-2	6	500	500	114	60	2000	4500	44



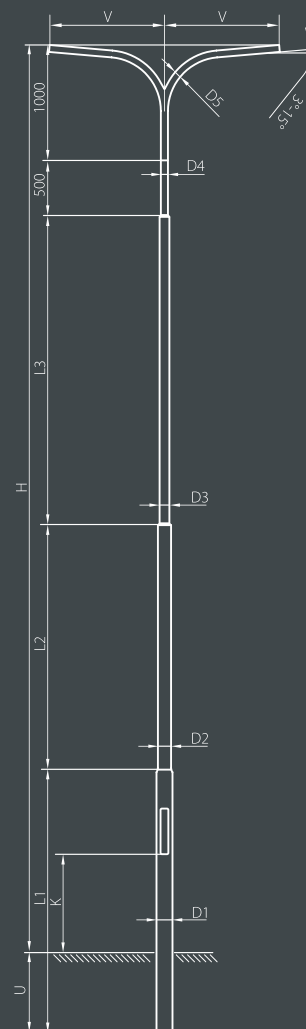
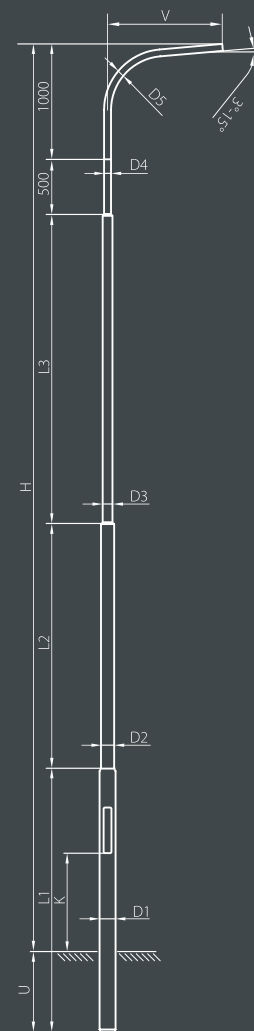
STRAIGHT STEPPED POLES

Type	H (m)	U' (mm)	K (mm)	D1 (mm)	D2 (mm)	D3 (mm)	D4 (mm)	D5 (mm)	L1 (mm)	L2 (mm)	L3 (mm)	L4 (mm)	L5 (mm)	M (kg)
STP65-108-3	6	500	1000	108	76	60			3000	2000	1500			46
STP75-108-3	7	500	1000	108	76	60			3000	3000	1500			52
STP85-114-4	8	500	1000	114	89	76	60		3000	2000	2000	1500		73
STP105-139-4	10	500	1000	139	114	76	60		4000	3000	2000	1500		57
STP126-168-4	12	650	1000	168	127	89	60		5150	3000	3000	1500		154
STP156-219-4	15	650	1000	219	168	114	89	60	6000	4000	2000	2000	1650	254

U* - instalation types - 1) In foundation 2) On flange plate 3) Embedded (U= 1,0-2,0m)

STEPPED POLE SINGLE/DOUBLE BRACKET

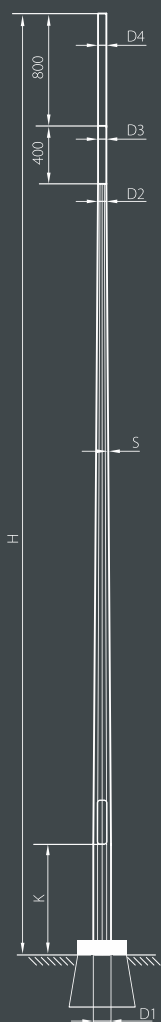
Type	H	U*	K	V	D1	D2	D3	D4	D5	L1	L2	L3
	(m)	(mm)	(mm)	(m)	(mm)	(mm)	(mm)	(mm)	(mm)	(m)	(m)	(m)
STP55-114-3	6	500	1000	1,0-2,5	114	89		60	60	3000	2000	
STP65-114-3	7	500	1000	1,0-2,5	114	89		60	60	3000	3000	
STP71-139-3	8	600	950	1,0-2,5	139	89		60	60	3600	3500	
STP75-114-4	8	500	1000	1,0-2,5	114	89	76	60	60	3000	3000	2000
STP81-168-4	9	600	950	1,0-2,5	168	139	89	60	60	3000	3000	2100
STP91-168-4	10	600	950	1,0-2,5	168	139	89	60	60	3000	3000	3100
STP96-152-4	10	650	1000	1,0-2,5	152	127	108	60	60	4150	3000	2000
STP116-168-4	12	650	1000	1,0-2,5	168	139	114	60	60	5150	3000	3000
STP145-219-4	15	1000	950	1,0-2,5	219	168	114	89	89	6000	5500	3000





ENERGY ABSORBING POLES

Type	H (m)	K (mm)	D1 (mm)	D2 (mm)	D3 (mm)	S (mm)	M (kg)
SB6200	6,2	968	152	94	60	2	63
SB7200	7,2	968	152	84	60	2	68
SB8200	8,2	968	152	74	60	2	80
SB9200	9,2	968	152	64	60	2	90
SB10200	10,2	968	168	74	60	2	100
SB11200	11,2	968	168	64	60	2	110
SB13800	13,8	968	214	76	76	2	160



ENERGY ABSORBING POLES UPRIGHT BRACKET

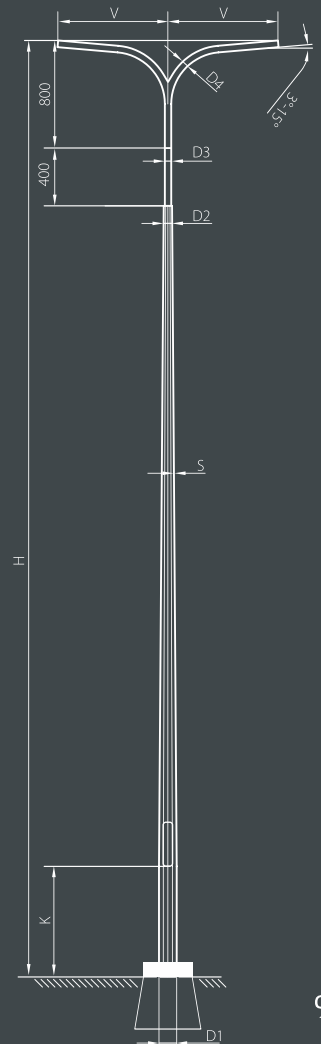
Type	H (m)	K (mm)	D1 (mm)	D2 (mm)	D3 (mm)	D4 (mm)	S (mm)
SB6200	7,0	968	152	94	60	60	2
SB7200	8,0	968	152	84	60	60	2
SB8200	9,0	968	152	74	60	60	2
SB9200	10,0	968	152	64	60	60	2
SB10200	11,0	968	168	74	60	60	2
SB11200	12,0	968	168	64	60	60	2
SB13800	14,6	968	214	76	76	76	2

Safety poles tested with 35km/h and 100 km/h according to EN 12767. Poles from 8-12m with installation type embedded and in foundation are HE3 but on base plate HE2 certified.

ENERGY ABSORBING POLES SINGLE/DOUBLE BRACKET

Type	H (m)	K (mm)	V (mm)	D1 (mm)	D2 (mm)	D3 (mm)	D4 (mm)	S (mm)
SB6200	7,0	968	1,0-2,5	152	94	60	60	2
SB7200	8,0	968	1,0-2,5	152	84	60	60	2
SB8200	9,0	968	1,0-2,5	152	74	60	60	2
SB9200	10,0	968	1,0-2,5	152	64	60	60	2
SB10200	11,0	968	1,0-2,5	74	60	60	60	2
SB11200	12,0	968	1,0-2,5	168	64	60	60	2
SB13800	14,6	968	1,0-2,5	214	76	76	76	2

Safety poles tested with 35km/h and 100 km/h according to EN 12767. Poles from 8-12m with installation type embedded and in foundation are HE3 but on base plate HE2 certified.



STRAIGHT CONICAL POLE / TRAVERSE

Type	H (m)	U* (mm)	K (mm)	D1 (mm)	D2 (mm)	V (mm)	H2 (m)	S (mm)
CP16000-TO05	15	1000	750	260	108	500	0-1,5	4
CP16000-TO10	15	1000	750	260	108	1000	0-1,5	4
CP16000-TO15	15	1000	750	260	108	1500	0-1,5	4
CP19500-TO05	18	1500	750	295	108	500	0-1,5	4
CP19500-TO10	18	1500	750	295	108	1000	0-1,5	4
CP19500-TO15	18	1500	750	295	108	1500	0-1,5	4



FLOODLIGHT POLES





MASTS WITH FIXED PLATFORM

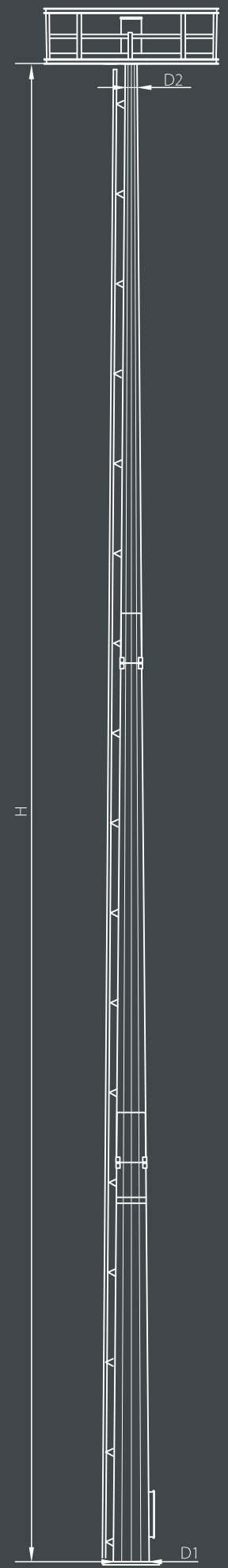
OCTAGONAL LIGHTING MAST WITH FIXED PLATFORM

Type	H (m)	D1 (mm)	D2 (mm)
M20	20	500-800	180-250
M25	20	550-1000	200-300
M30	25	600-1200	200-360
M35	25	600-1300	200-360
M40	25	600-1400	200-360

Masts are calculated assuming specific requirements of the particular project and are produced with a traverse, a fixed platform or a raising and lowering device.

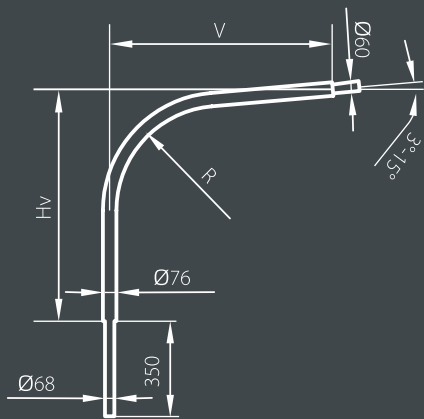
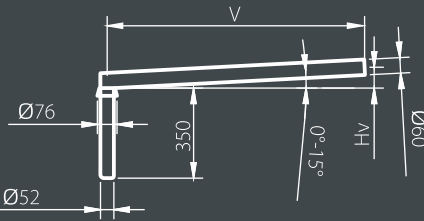
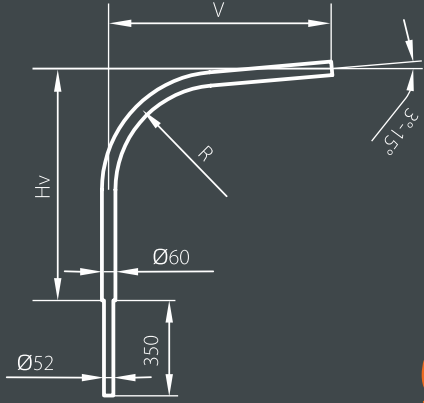
Ladder is available with an antifalling device or a cage.

Raising-lowering devices are manual or electrical with an integrated motor or a trolley.



U* - instalation types - 1) In foundation 2) On flange plate 3) Embedded (U= 1,0-2,0m)

SINGLE BRACKET



BRACKETS

Type	V (mm)	Hv (mm)	R (mm)	M (kg)
P108-1000	800	1000	500	8
P108-1500	800	1500	500	10
P110-1000	1000	1000	500	9
P110-1500	1000	1500	500	11
P115-1000	1500	1000	500	11
P115-1500	1500	1500	500	13
P120-1000	2000	1000	500	13
P120-1500	2000	1500	500	15
P125-1000	2500	1000	500	15
P125-1500	2500	1500	500	17
L105	500	0	-	4
L105-500	500	500	-	6
L105-800	500	800	-	7
L105-1000	500	1000	-	8
L110	1000	0	-	6
L110-500	1000	500	-	8
L110-800	1000	800	-	9
L110-1000	1000	1000	-	10
L115	1500	0	-	8
L115-500	1500	500	-	10
L115-800	1500	800	-	11
L115-1000	1500	1000	-	12

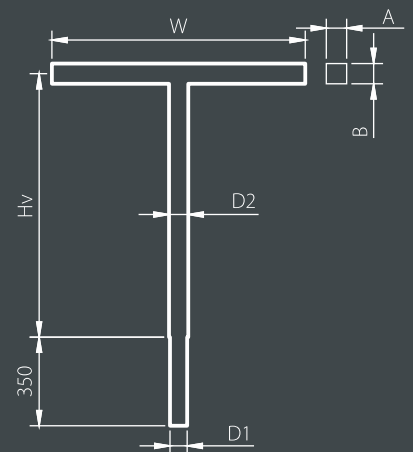
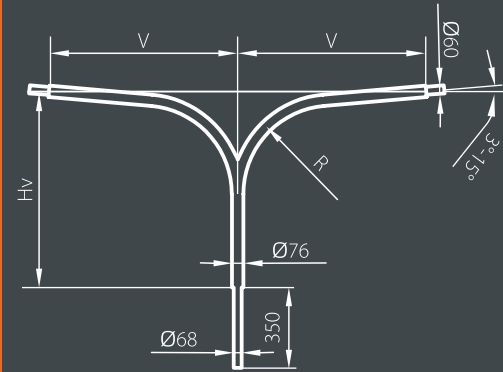
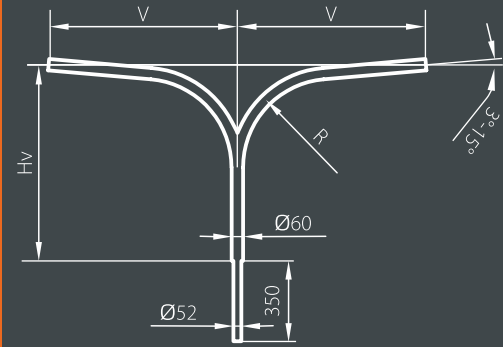
Type	V (mm)	Hv (mm)	R (mm)	M (kg)
P210-1000	1000	1000	500	10
P210-1500	1000	1500	500	13
P210-2000	1000	2000	500	16
P215-1000	1500	1000	500	13
P215-1500	1500	1500	500	16
P215-2000	1500	2000	500	18
P220-1000	2000	1000	500	16
P220-1500	2000	1500	500	18
P220-2000	2000	2000	500	21
P225-1000	2500	1000	500	18
P225-1500	2500	1500	500	21
P225-2000	2500	2000	500	24

DOUBLE BRACKET

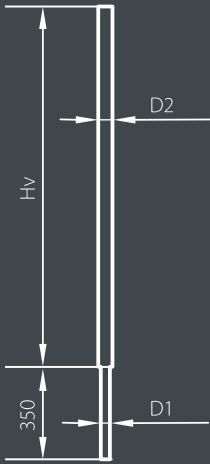
Type	V (mm)	Hv (mm)	R (mm)	M (kg)
T108-1000	800	1000	500	13
T108-1500	800	1500	500	15
T110-1000	1000	1000	500	15
T110-1500	1000	1500	500	17
T115-1000	1500	1000	500	19
T115-1500	1500	1500	500	21
T120-1000	2000	1000	500	23
T120-1500	2000	1500	500	25
T125-1000	2500	1000	500	27
T125-1500	2500	1500	500	29

T210-1000	1000	1000	500	18
T210-1500	1000	1500	500	21
T210-2000	1000	2000	500	23
T215-1000	1500	1000	500	23
T215-1500	1500	1500	500	26
T215-2000	1500	2000	500	29
T220-1000	2000	1000	500	29
T220-1500	2000	1500	500	31
T225-1000	2500	1000	500	34

Type	W (mm)	Hv (mm)	D1 (mm)	D2 (mm)	AxB (mm)	M (kg)
TS105-000	500	0	52	60	50x30	3.2
TS105-1000	500	1000	52	60	50x30	5.7
TS110-2000	1000	2000	52	60	50x30	11.8
TS210-000	1000	0	68	76	80x80	12
TS220-2000	2000	2000	68	76	80x80	29
TS310-000	1000	0	89	89	80x80	12.2
TS320-2000	2000	2000	89	89	80x80	31.5

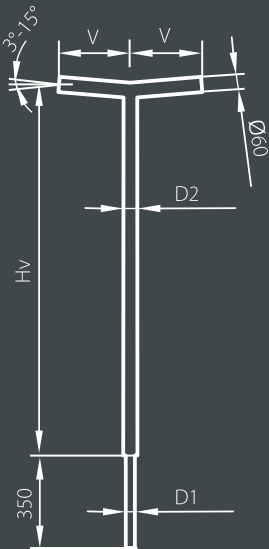


UPRIGHT BRACKET



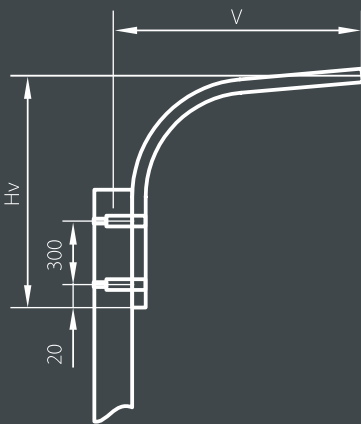
Type	Hv (mm)	D1 (mm)	D2 (mm)	M (kg)
S106	600	52	60	4
S108	800	52	60	5
S110	1000	52	60	6
S115	1500	52	60	8
S120	2000	52	60	10
S210	1000	68	76	7
S212	1200	68	76	8
S215	1500	68	76	10
S220	2000	68	76	12

DOUBLE BRACKET

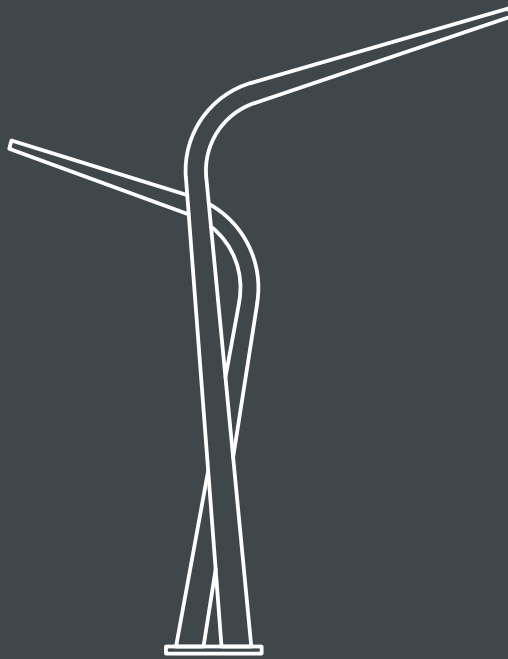


Type	V (mm)	Hv (mm)	D1 (mm)	D2 (mm)	M (kg)
TO102-800	200	800	52	60	7
TO102-1200	200	1200	52	60	8
TO102-1500	200	1500	52	60	9
TO202-800	200	800	68	76	8
TO202-1200	200	1200	68	76	10
TO202-1500	200	1500	68	76	11

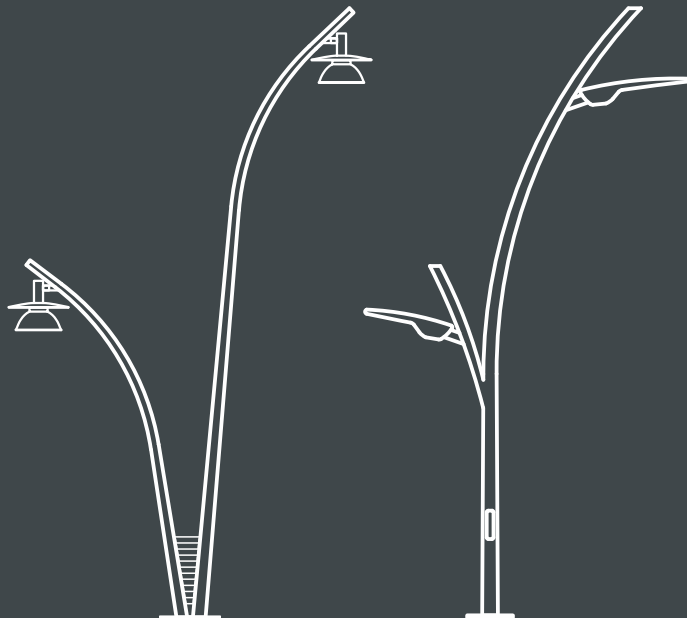
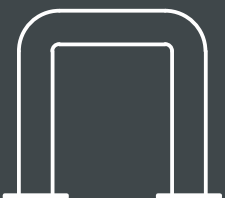
SINGLE BRACKET FOR WOOD POLES



Type	V (mm)	Hv (mm)	D (mm)	R (mm)	M (kg)
WP105	500	800	60	500	4
WP110	1000	800	60	500	6
WP115	1500	800	60	500	8
WP120	2000	800	60	500	11
WP125	2500	800	60	500	13



Custom design
poles and brackets
to make your projects
attractive





"Vecratnieki" ■ Daugmale ■ Kekavas novads ■ LV-2124, Latvia
Phone +371 29953115 ■ Fax +371 67148866 ■ e-mail: sales@tecnopali.lv
www.tecnopali.lv