

EX-RECESSED CEILING LIGHT FITTINGS

RLF/RLF-INOX 250 18 - 58 W / RLF/RLF-INOX 250... N 18 - 36 W
Metallic design for Zone 1 and Zone 21

The RLF... explosion-protected recessed ceiling light fittings with electronic ballast meet the requirements of ATEX-Directive 94/9/EC and are suitable for two-pin fluorescent lamps.

These lamps are used for surface and flush mounting in ceilings, in particular in clean rooms where smooth, flush surfaces are very important. The area of application is in the pharmaceutical and chemical industry and in labs as well as in paint shops and spraying cabinets.

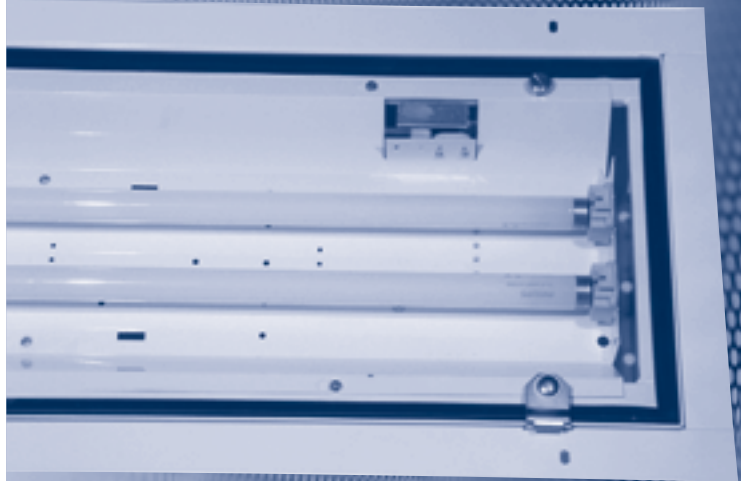
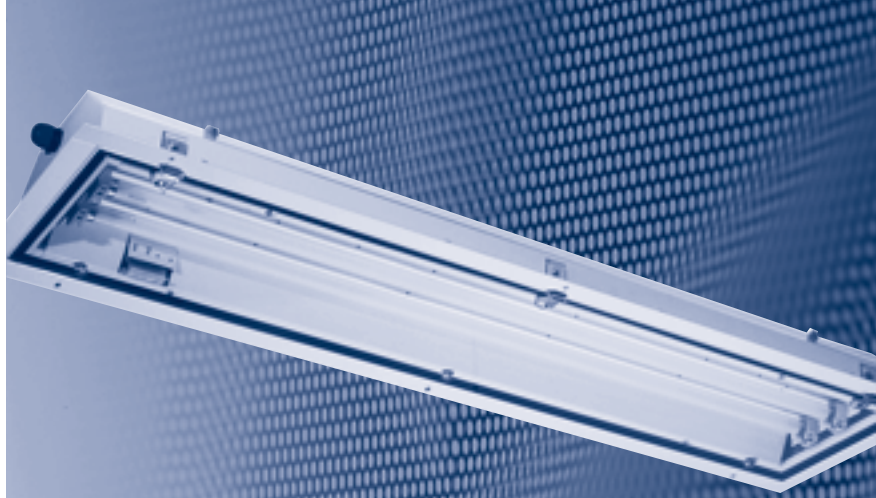
The housing comprises white-painted steel sheet with an optionally integrally moulded covering frame for safe installation in the ceiling. The type RLF-INOX is made of stainless steel. In addition, it can also be fixed by means of two M8 drilled holes on the top of the housing.

The hinged, frameless pane made of 5 mm thick safety glass is fixed with 3 alt. 4 captive screws. The sealing material is EPDM and guarantees the high protection IP65.

The electronic ballasts of the latest generation can be used internationally due to their large input voltage range and contains the "End of Life" disconnection acc. latest standard. The standard two-channel structure means that if one lamp fails, the other one remains in operation.

The standard two-sided through-wiring together with the generous terminal housing offers a cost-saving installation.

The light switch reliably prevents the lamp from being switched on when the cover pane is open. An emergency light fitting version with self-contained battery-system allows a decentral emergency light with an emergency lighting cycle of 1.5 or 3 hours.



Flush installation specially for lean rooms
by using the accessed mounting frame

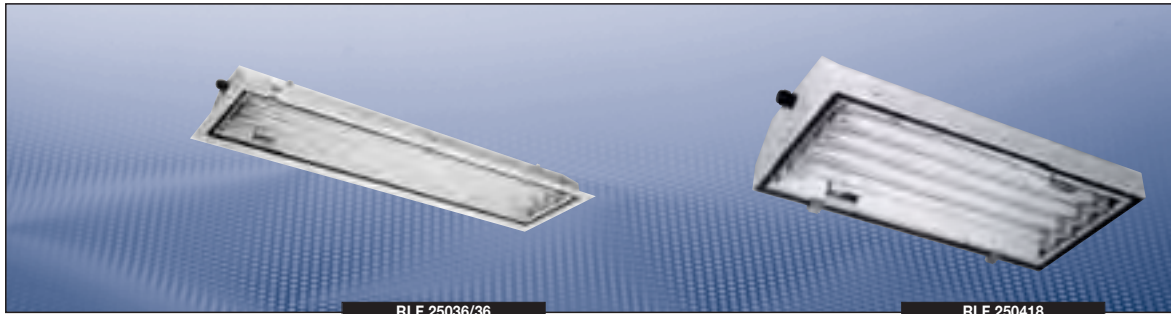
Standard, two-channel electronic

Enclosure polished available made
of stainless steel 304 (RLF-INOX 250...)

Safety locking due to integral disconnecter

High degree of protection IP65

Version with self-contained battery system



Technical data

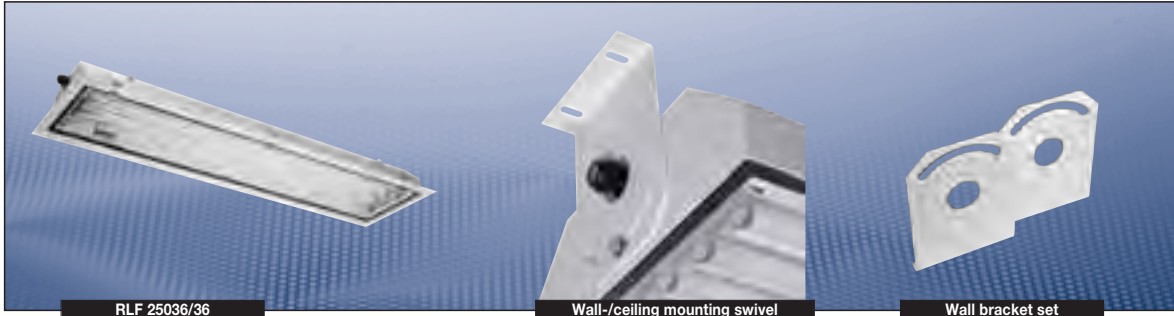
RLF 250... / RLF-INOX 250...	
Marking to 94/9/EC	Ⓔ II 2 G Ex de IIC T4 / Ⓔ II 2 D Ex tD A21 IP65 T60 °C
EC-Type Examination Certificate	FTZU 06 ATEX 0050 X
Permissible ambient temperature	-20 °C to +40 °C
Frequency	50 - 60 Hz
Power factor cos φ	≥ 0.95
Circuit	EVG
Connecting terminals	L1, L2, L3, N, PE; max. 2 x 4.0 mm ² Through-wiring double-ended
Insulation class	I
Lamp cap	G 13 accd. to IEC 60081
Degree of protection accd. EN 60529	IP65
Cable glands/gland plates/enclosure drilling	Ex-e cable glands M25 x 1.5 (plastic) for cables from Ø 8 - 17 mm, Option: M20 x 1.5 metal thread
Enclosure material	Painted steel sheet (RLF-INOX 250...: polished stainless steel 304 (1.4301))
Enclosure colour	white, stainless steel
Protective cover/protective bowl	Single-safety glass pane of 5 mm thick

	RLF... 25018/18	RFL... 250418
Rated voltage	110 - 254 V AC / 110 - 250 V DC	110 - 254 V AC / 110 - 250 V DC
Rated current	0.18 A	0.36 A
Lamp/illuminant	2 x T26 / 18 W (T8)	4 x T26 / 18 W (T8)
Rated luminous flux ²⁾	2700 lm	5400 lm
Light efficiency in operation	70 %	69 %
Dimensions (L x W x H)	701 x 302 x 130 mm	701 x 362 x 130 mm
Weight	6.9 kg	9.5 kg

	RLF... 25036/36	RFL... 250336	RFL... 250436
Rated voltage	110 - 254 V AC / 110 - 250 V DC	110 - 254 V AC / 110 - 250 V DC	110 - 254 V AC / 110 - 250 V DC
Rated current	0.34 A	0.51 A	0.68 A
Lamp/illuminant	2 x T26 / 36 W (T8)	3 x T26 / 36 W (T8)	4 x T26 / 36 W (T8)
Rated luminous flux ²⁾	6700 lm	10050 lm	13400 lm
Light efficiency in operation	70 %	68 %	69 %
Dimensions (L x W x H)	1312 x 302 x 130 mm	1312 x 302 x 130 mm	1312 x 362 x 130 mm
Weight	12.9 kg	13.4 kg	16.5 kg

	RLF... 25058/58	RFL... 250358	RFL... 250458
Rated voltage	220 - 254 V AC / 195 - 250 V DC	220 - 254 V AC / 195 - 250 V DC	220 - 254 V AC / 195 - 250 V DC
Rated current	0.53 A	0.80 A	1.06 A
Lamp/illuminant	2 x T26 / 58 W (T8)	3 x T26 / 58 W (T8)	4 x T26 / 58 W (T8)
Rated luminous flux ²⁾	10400 lm	15600 lm	20800 lm
Light efficiency in operation	68 %	66 %	67 %
Dimensions (L x W x H)	1611 x 302 x 130 mm	1611 x 302 x 130 mm	1611 x 362 x 130 mm
Weight	17.2 kg	17.8 kg	19.8 kg

¹⁾ depends on used lamps



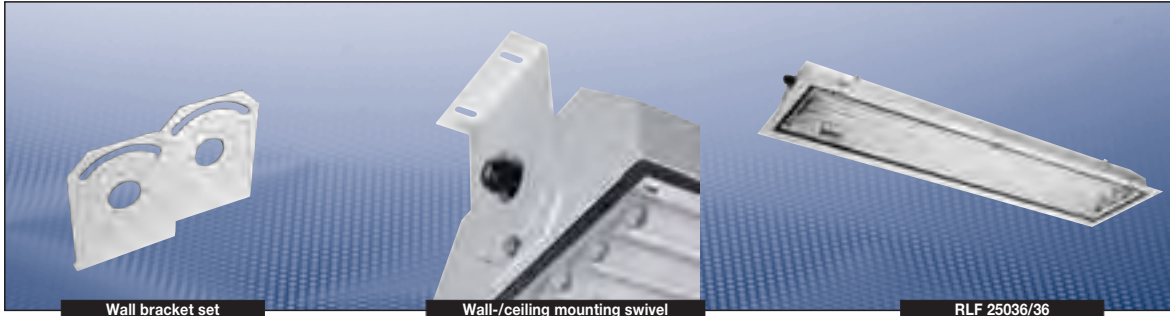
Ordering details

Type	Cable gland ¹⁾	Thread ¹⁾	Order No.
Type RLF 250... made of sheet steel			
RLF 25018/18 2/5-2 K	M25 x 1.5	–	1 2283 218 001
RLF 25036/36 2/5-2 K	M25 x 1.5	–	1 2283 236 001
RLF 25058/58 2/5-2 K	M25 x 1.5	–	1 2283 258 001
RLF 25018/18 2/5-2 M	–	M20 x 1.5	1 2283 218 002
RLF 25036/36 2/5-2 M	–	M20 x 1.5	1 2283 236 002
RLF 25058/58 2/5-2 M	–	M20 x 1.5	1 2283 258 002
RLF 250336 2/5-2 K	M25 x 1.5	–	1 2283 336 011
RLF 250358 2/5-2 K	M25 x 1.5	–	1 2283 358 011
RLF 250336 2/5-2 M	–	M20 x 1.5	1 2283 336 012
RLF 250358 2/5-2 M	–	M20 x 1.5	1 2283 358 012
RLF 250418 2/5-2 K	M25 x 1.5	–	1 2283 418 011
RLF 250436 2/5-2 K	M25 x 1.5	–	1 2283 436 011
RLF 250458 2/5-2 K	M25 x 1.5	–	1 2283 458 011
RLF 250418 2/5-2 M	–	M20 x 1.5	1 2283 418 012
RLF 250436 2/5-2 M	–	M20 x 1.5	1 2283 436 012
RLF 250458 2/5-2 M	–	M20 x 1.5	1 2283 458 012
Type RLF-INOX 250... made of stainless steel			
RLF-INOX 25018/18 2/5-2 K	M25 x 1.5	–	1 2283 218 004
RLF-INOX 25036/36 2/5-2 K	M25 x 1.5	–	1 2283 236 003
RLF-INOX 25058/58 2/5-2 K	M25 x 1.5	–	1 2283 258 003
RLF-INOX 25018/18 2/5-2 M	–	M20 x 1.5	1 2283 218 003
RLF-INOX 25036/36 2/5-2 M	–	M20 x 1.5	1 2283 236 004
RLF-INOX 25058/58 2/5-2 M	–	M20 x 1.5	1 2283 258 004
RLF-INOX 250336 2/5-2 K	M25 x 1.5	–	1 2283 336 001
RLF-INOX 250358 2/5-2 K	M25 x 1.5	–	1 2283 358 001
RLF-INOX 250336 2/5-2 M	–	M20 x 1.5	1 2283 336 002
RLF-INOX 250358 2/5-2 M	–	M20 x 1.5	1 2283 358 002
RLF-INOX 250418 2/5-2 K	M25 x 1.5	–	1 2283 418 001
RLF-INOX 250436 2/5-2 K	M25 x 1.5	–	1 2283 436 001
RLF-INOX 250458 2/5-2 K	M25 x 1.5	–	1 2283 458 001
RLF-INOX 250418 2/5-2 M	–	M20 x 1.5	1 2283 418 002
RLF-INOX 250436 2/5-2 M	–	M20 x 1.5	1 2283 436 002
RLF-INOX 250458 2/5-2 M	–	M20 x 1.5	1 2283 458 002

¹⁾ With dustcover if entry/thread is not closed

Scope of delivery without lamps and fixing material.

Note: mounting frames are not part of the delivery. Please see accessories.



Accessories

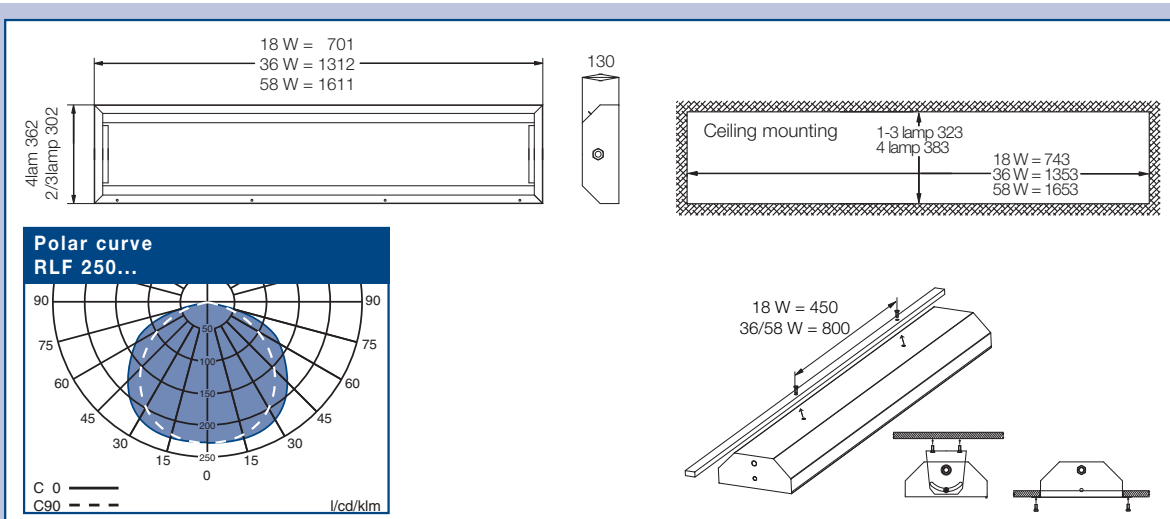
RLF ...

Type	Version	Application	Order No.
Wall bracket set	2 pcs.	RLF 250...	3 2283 000 007
Mounting frame for ceiling mounting:	for luminaires 2 x 18 W	RLF 250...	3 2283 000 001
	for luminaires 4 x 18 W	RLF 250...	3 2283 000 002
	for luminaires 2 x/3 x 36 W	RLF 250...	3 2283 000 003
	for luminaires 4 x 36 W	RLF 250...	3 2283 000 004
	for luminaires 2 x/3 x 58 W	RLF 250...	3 2283 000 005
Wall bracket set INOX	2 pcs.	RLF-INOX 250...	3 2283 000 014
Mounting frame INOX for ceiling mounting:	for luminaires 2 x 18 W	RLF-INOX 250...	3 2283 000 008
	for luminaires 4 x 18 W	RLF-INOX 250...	3 2283 000 009
	for luminaires 2 x/3 x 36 W	RLF-INOX 250...	3 2283 000 010
	for luminaires 4 x 36 W	RLF-INOX 250...	3 2283 000 011
	for luminaires 2 x/3 x 58 W	RLF-INOX 250...	3 2283 000 012
	for luminaires 4 x 58 W	RLF-INOX 250...	3 2283 000 013

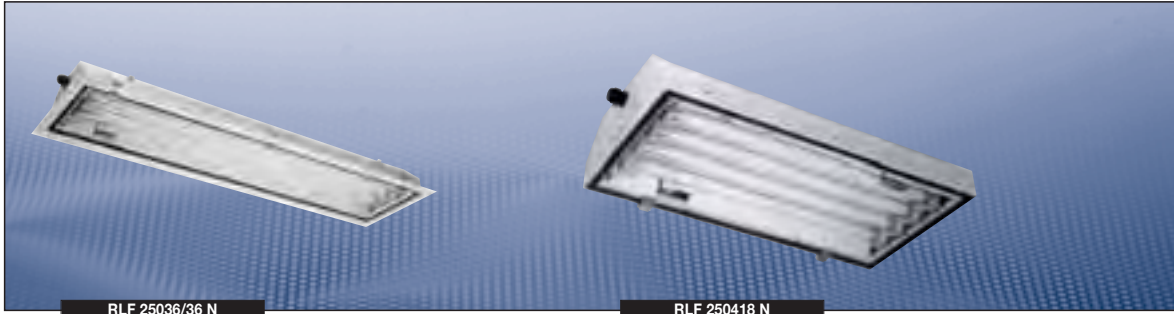
Metal cable glands M20/M25 see page 8.10.

Complete Mounting Systems see page 2.70 to 2.76.

Dimension drawing | Polar curve



| RLF 250... N 18 - 36 W | RLF-INOX 250... N 18 - 36 W |

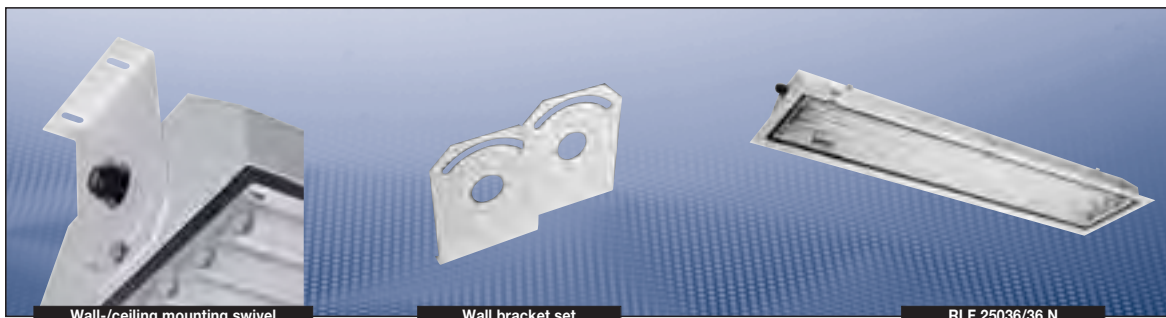


Technical data

RLF 250... N / RLF-INOX 250... N	
Marking to 94/9/EC	⊕ II 2 G Ex de mb IIC T4 / ⊕ II 2 D Ex tD A21 IP65 T60 °C
EC-Type Examination Certificate	FTZU 08 ATEX 0188 X
Permissible ambient temperature	-5 °C to +40 °C
Rated voltage	230 - 240 V AC
Frequency	50 - 60 Hz
Circuit	EVG with emergency lighting supply
Connecting terminals	L, L1, L2, L3, N, PE max. 6 x 4.0 mm ² , through-wiring double-ended
Insulation class	I
Lamp cap	G 13 accd. to IEC 60081
Battery	3.6 V/4 Ah (18 W) / 6 V/4 Ah (36 W)
Rated emergency lighting operation	1.5 h / 3 h
Charging duration	> 24 h
Degree of protection accd. EN 60529	IP65
Cable glands/gland plates/enclosure drilling	Ex-e cable glands M25 x 1.5 (plastic) for cables from Ø 8 - 17 mm, Option: M20 x 1.5 metal thread
Enclosure material	Painted steel sheet (RLF-INOX 250.. N: polished stainless steel)
Enclosure colour	white, stainless steel
Protective cover/protective bowl	Single-safety glass pane of 5 mm thick

	RLF... 25018/18 N	RFL... 250418 N
Rated current	0.20 A	0.36 A
Lamp/illuminant	2 x T26 / 18 W (T8)	4 x T26 / 18 W (T8)
Rated luminous flux ¹⁾	2700 lm	5400 lm
Luminous flux in emergency operation (1.5 h, one lamp) ¹⁾	270 lm (20 %)	270 lm (20 %)
Luminous flux in emergency operation (3 h, one lamp) ¹⁾	216 lm (16 %)	216 lm (16 %)
Light efficiency in operation	70 %	69 %
Dimensions (L x W x H)	701 x 302 x 130 mm	701 x 362 x 130 mm
Weight	8.9 kg	11.5 kg

	RLF... 25036/36 N	RFL... 250436 N
Rated current	0.36 A	0.68 A
Lamp/illuminant	2 x T26 / 36 W (T8)	4 x T26 / 36 W (T8)
Rated luminous		



Wall-/ceiling mounting swivel

Wall bracket set

RLF 25036/36 N

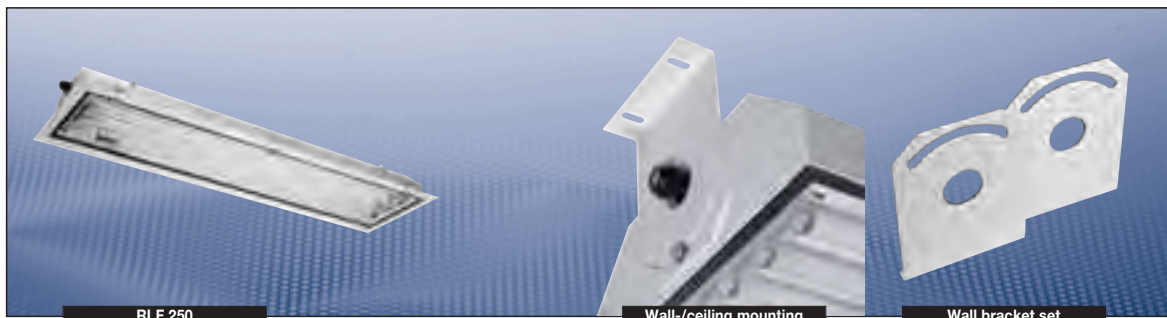
Bestellangaben

Type	Cable gland	Thread	Order No.
Typ RLF 250.. made of sheet steel			
RLF 25018/18 N 2/6-2 K - 1.5 h	M25 x 1.5	-	1 2283 218 201
RLF 25036/36 N 2/6-2 K - 1.5 h	M25 x 1.5	-	1 2283 236 201
RLF 25018/18 N 2/6-2 M - 1.5 h	-	M20 x 1.5	1 2283 218 202
RLF 25036/36 N 2/6-2 M - 1.5 h	-	M20 x 1.5	1 2283 236 202
RLF 250418 N 2/6-2 K - 1.5 h	M25 x 1.5	-	1 2283 418 201
RLF 250436 N 2/6-2 K - 1.5 h	M25 x 1.5	-	1 2283 436 201
RLF 250418 N 2/6-2 M - 1.5 h	-	M20 x 1.5	1 2283 418 202
RLF 250436 N 2/6-2 M - 1.5 h	-	M20 x 1.5	1 2283 436 202
RLF 25018/18 N 2/6-2 K - 3 h	M25 x 1.5	-	1 2283 218 301
RLF 25036/36 N 2/6-2 K - 3 h	M25 x 1.5	-	1 2283 236 301
RLF 25018/18 N 2/6-2 M - 3 h	-	M20 x 1.5	1 2283 218 302
RLF 25036/36 N 2/6-2 M - 3 h	-	M20 x 1.5	1 2283 236 302
RLF 250418 N 2/6-2 K - 3 h	M25 x 1.5	-	1 2283 418 301
RLF 250436 N 2/6-2 K - 3 h	M25 x 1.5	-	1 2283 436 301
RLF 250418 N 2/6-2 M - 3 h	-	M20 x 1.5	1 2283 418 302
RLF 250436 N 2/6-2 M - 3 h	-	M20 x 1.5	1 2283 436 302
Typ RLF-INOX 250.. made of stainless steel			
RLF-INOX 25018/18 N 2/6-2 K - 1.5 h	M25 x 1.5	-	1 2283 218 203
RLF-INOX 25036/36 N 2/6-2 K - 1.5 h	M25 x 1.5	-	1 2283 236 203
RLF-INOX 25018/18 N 2/6-2 M - 1.5 h	-	M20 x 1.5	1 2283 218 204
RLF-INOX 25036/36 N 2/6-2 M - 1.5 h	-	M20 x 1.5	1 2283 236 204
RLF-INOX 250418 N 2/6-2 K - 1.5 h	M25 x 1.5	-	1 2283 418 203
RLF-INOX 250436 N 2/6-2 K - 1.5 h	M25 x 1.5	-	1 2283 436 203
RLF-INOX 250418 N 2/6-2 M - 1.5 h	-	M20 x 1.5	1 2283 418 204
RLF-INOX 250436 N 2/6-2 M - 1.5 h	-	M20 x 1.5	1 2283 436 204
RLF-INOX 25018/18 N 2/6-2 K - 3 h	M25 x 1.5	-	1 2283 218 303
RLF-INOX 25036/36 N 2/6-2 K - 3 h	M25 x 1.5	-	1 2283 236 303
RLF-INOX 25018/18 N 2/6-2 M - 3 h	-	M20 x 1.5	1 2283 218 304
RLF-INOX 25036/36 N 2/6-2 M - 3 h	-	M20 x 1.5	1 2283 236 304
RLF-INOX 250418 N 2/6-2 K - 3 h	M25 x 1.5	-	1 2283 418 303
RLF-INOX 250436 N 2/6-2 K - 3 h	M25 x 1.5	-	1 2283 436 303
RLF-INOX 250418 N 2/6-2 M - 3 h	-	M20 x 1.5	1 2283 418 304
RLF-INOX 250436 N 2/6-2 M - 3 h	-	M20 x 1.5	1 2283 436 304

¹⁾ With dustcover if entry/thread is not closed

Scope of delivery without lamps and fixing material.

Note: mounting frames are not part of the delivery. Please see accessories.



RLF 250

Wall-/ceiling mounting

Wall bracket set

Accessories

Lamp for luminaire RLF 250...

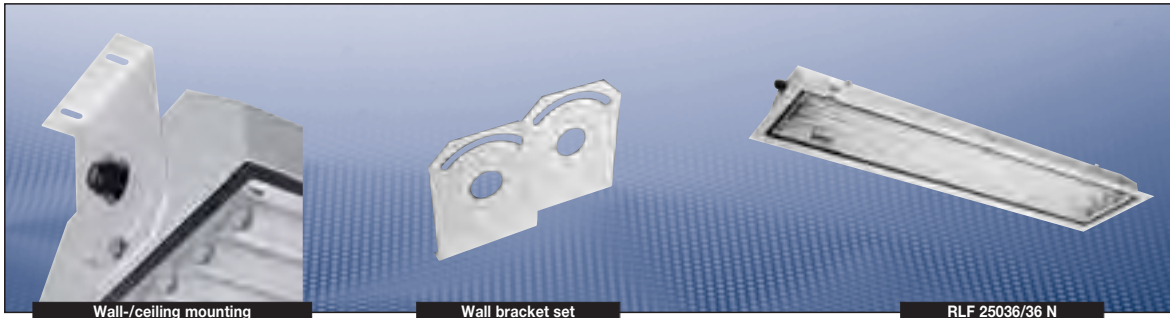
Type of lamp socket/ Diameter	Power	Luminous flux Light colour	Order No.
Bi-pin socket G13 T26/Ø 26 mm (T8) G13-60081-IEC-2220-1	18 W	1350 lm white	3 2475 900 001
Bi-pin socket G13 T26/Ø 26 mm (T8) G13-60081-IEC-2420-1	36 W	3350 lm white	3 2475 900 002
Bi-pin socket G13 T26/Ø 26 mm (T8) G13-60081-IEC-2520-1	58 W	5200 lm white	3 2475 900 003
Aura-Ultimate	18 W	1300 lm white	3 2475 900 087
T26/Ø 26 mm (T8) Longlife	36 W	3350 lm white	3 2475 900 088
G13-socket	58 W	5200 lm white	on request

RLF 250...

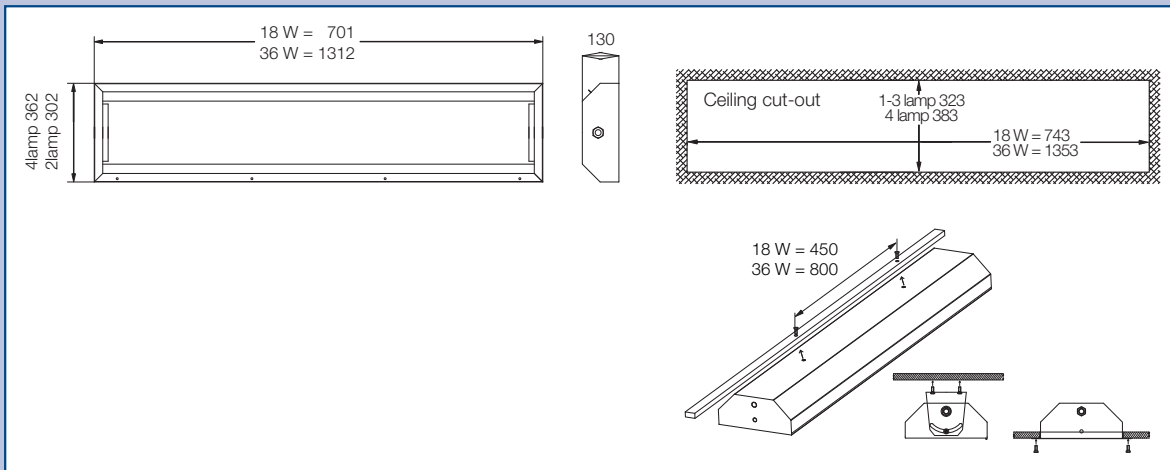
Type	Version	Application	Order No.
Wall bracket set	2 pcs.	RLF 250...	3 2283 000 007
Mounting frame for ceiling mounting:	for luminaires 2 x 18 W	RLF 250...	3 2283 000 001
	for luminaires 4 x 18 W	RLF 250...	3 2283 000 002
	for luminaires 2 x/3 x 36 W	RLF 250...	3 2283 000 003
	for luminaires 4 x 36 W	RLF 250...	3 2283 000 004
	for luminaires 2 x/3 x 58 W	RLF 250...	3 2283 000 005
Wall bracket set INOX	2 pcs.	RLF-INOX 250...	3 2283 000 014
Mounting frame INOX for ceiling mounting:	for luminaires 2 x 18 W	RLF-INOX 250...	3 2283 000 008
	for luminaires 4 x 18 W	RLF-INOX 250...	3 2283 000 009
	for luminaires 2 x/3 x 36 W	RLF-INOX 250...	3 2283 000 010
	for luminaires 4 x 36 W	RLF-INOX 250...	3 2283 000 011
	for luminaires 2 x/3 x 58 W	RLF-INOX 250...	3 2283 000 012
	for luminaires 4 x 58 W	RLF-INOX 250...	3 2283 000 013
Battery set	3.6 V/4 Ah		on request
Battery set	6 V/4 Ah		on request

Metal cable glands M20/M25 see page 8.10.

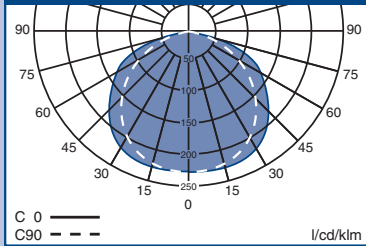
Complete Mounting Systems see page 2.70 to 2.76.



Dimension drawing | Polar curve



Polar curve
RLF 250... N



Dimensions in mm

1
2
3
4
5
6
7
8
9
10
11
12