

Ledinaire floodlight mini

October 2017

Ledinaire Floodlight mini

Main specifications

900 lm



2500 lm



4500 lm



Purpose

- XSmall (900 lm) → 75W halogen
- Small (2500 lm) → 150W halogen / 35W metal Halide
- Medium (4500 lm) → 400W halogen / 70W metal Halide
- Stock and Flow

Features

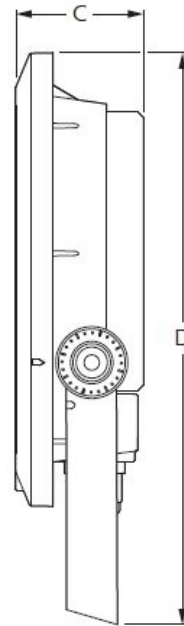
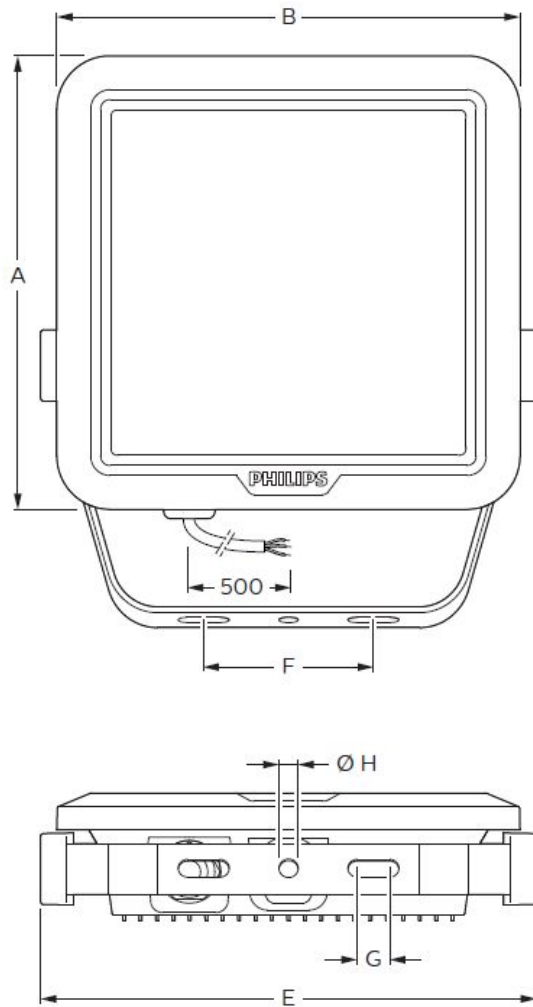
- 1:1 halogen / HID Robust LED floodlights range
- 10W / 30W / 50W versions
- IP65 / IK07
- Symmetrical beam
- 35 khrs L70B50
- Prewired connection (0,5 m cable)
- Presence Detection (**introduction planned for W1/2018**)

Benefits

- Philips quality and reliability
- Energy saving
- Easy installation

Ledinaire Floodlight mini

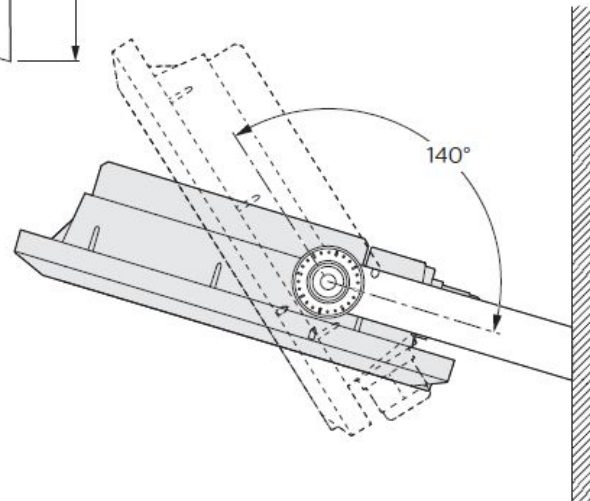
Dimensions



Dimensions in mm			
	10 W	27 W	50 W
A	129	160	185
B	136	164	207
C	42	45	55
D	170	202	236
E	146	175	208
F	55	60	78
G	8.5	11.5	11.5
H	6	6	8



0.018	0.49
0.027	0.79
0.039	1.23



Ledinaire Floodlight mini

Ledinaire Marcom brochure

Ledinaire floodlight mini

Energy efficient, professional floodlight for outdoor residential, commercial and industrial areas.

Features:

- robust LED floodlights range, 1 to 1 replacement of Halogen / HID
- 10W / 30W / 50W versions
- IP65 / IK07
- symmetrical beam
- 35 khrs L70B50
- prewired connection (0,5 m cable)



Benefits:

- Philips quality and reliability
- energy saving
- easy installation

PHILIPS
Ledinaire
LED range

Simply great LED

Switch now to great quality LED at an affordable price.

Family name	12NC	Product description	EOC
Ledinaire floodlight mini	912401483116	BVPI05 LED9/840 PSU VWB100	871869938411999
Ledinaire floodlight mini	912401483117	BVPI05 LED25/840 PSU VWB100	871869938412899
Ledinaire floodlight mini	912401483118	BVPI05 LED45/840 PSU VWB100	871869938413599

Technical specifications

Mains voltage	220-240 V / 50-60 Hz
Lifetime	35,000 hrs L70B50
CRI	> 80
Connection	flying leads/wires
IP rating	IP65
IK rating	IK07
Power factor	0,98
Safety class	Class I
Housing material	Aluminium / Polycarbonate
Color	Dark Gray

