

# unipro®

## Lighting track system and adaptors for lighting fixtures



# LUMISYS

# Lumisys Ltd

**Lumisys Ltd** is a Finnish company designing, manufacturing and supplying Unipro® lighting track products. Strengths of the company include a customer-oriented approach, strong product development expertise as well as a high level of quality.

**Lumisys Ltd** has its head office in Oulu, Finland. Sales offices are located in Vantaa, Finland and in Vaud, Switzerland. It is a part of Propria Group, a Finnish privately-owned company, whose another subsidiary Meka Group is one of the leading cable support system providers in the Nordic countries, having its major market in Finland, Russia and the Baltic countries.

More information about Lumisys Ltd can be found at [www.lumisys.fi](http://www.lumisys.fi) and about Meka Group at [www.meka.eu](http://www.meka.eu).

## **Unipro® - Intelligent solutions for lighting**

Unipro lighting track solution is an ideal choice for lighting in public and commercial buildings, like office premises, shops, trade centres and museums. High quality Unipro lighting tracks are versatile, offering flexibility in sizing, placement and fixture styles, which allows putting the light exactly where it is needed.

Unipro lighting track system includes 3-circuit lighting tracks and adapters as well as a wide range of installation accessories - everything that is needed for a smart solution. Due to the universality and the modular structure of the system it is easy to extend and adapt to various customer needs.

## Universal lighting track

Unipro lighting tracks' design makes it possible to use the most common 3-circuit universal lighting fixture adapters on tracks.



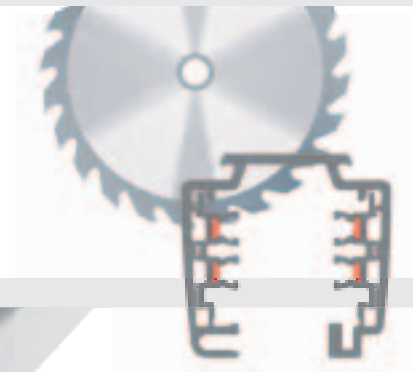
## Universal adapter

Unipro A70 adapter is universal and compatible with Unipro lighting tracks as well as the most common 3-circuit lighting tracks.



## Easy to cut

Unipro lighting tracks can be easily cut to length on-site by hand tools. There is no need to bend or tool power conductors after cutting.



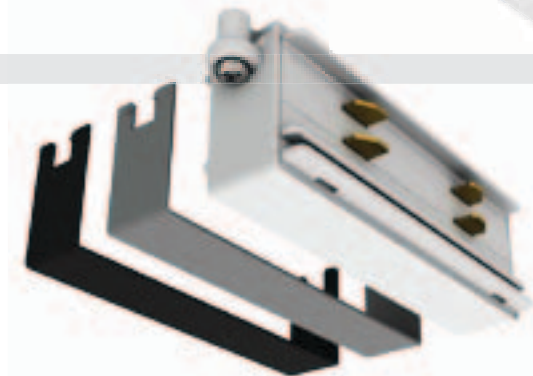
## Easy to install

Unipro lighting tracks have pre-cut holes on the top for surface mounting.



## Easy to connect

Unipro power supply units have reliable and easy-to-use screw terminals on them to enable easy and smooth connecting of both stranded and solid wires of size 1,5mm<sup>2</sup> – 2,5mm<sup>2</sup>.



## Less parts – more functions

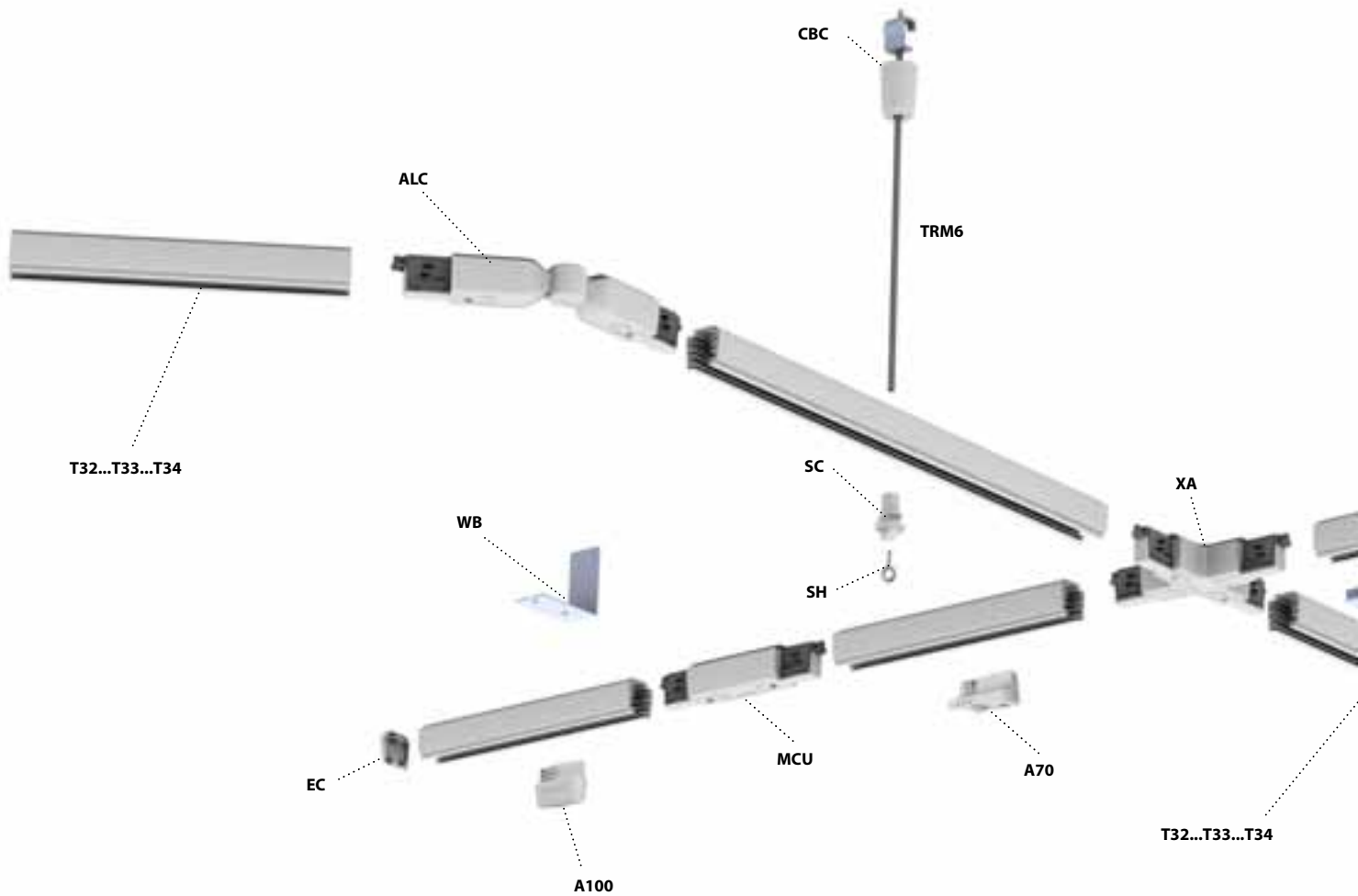
Unipro lighting track system includes some multifunctional parts. The polarity of L-corners and the colour of jointing units can be changed on-site.



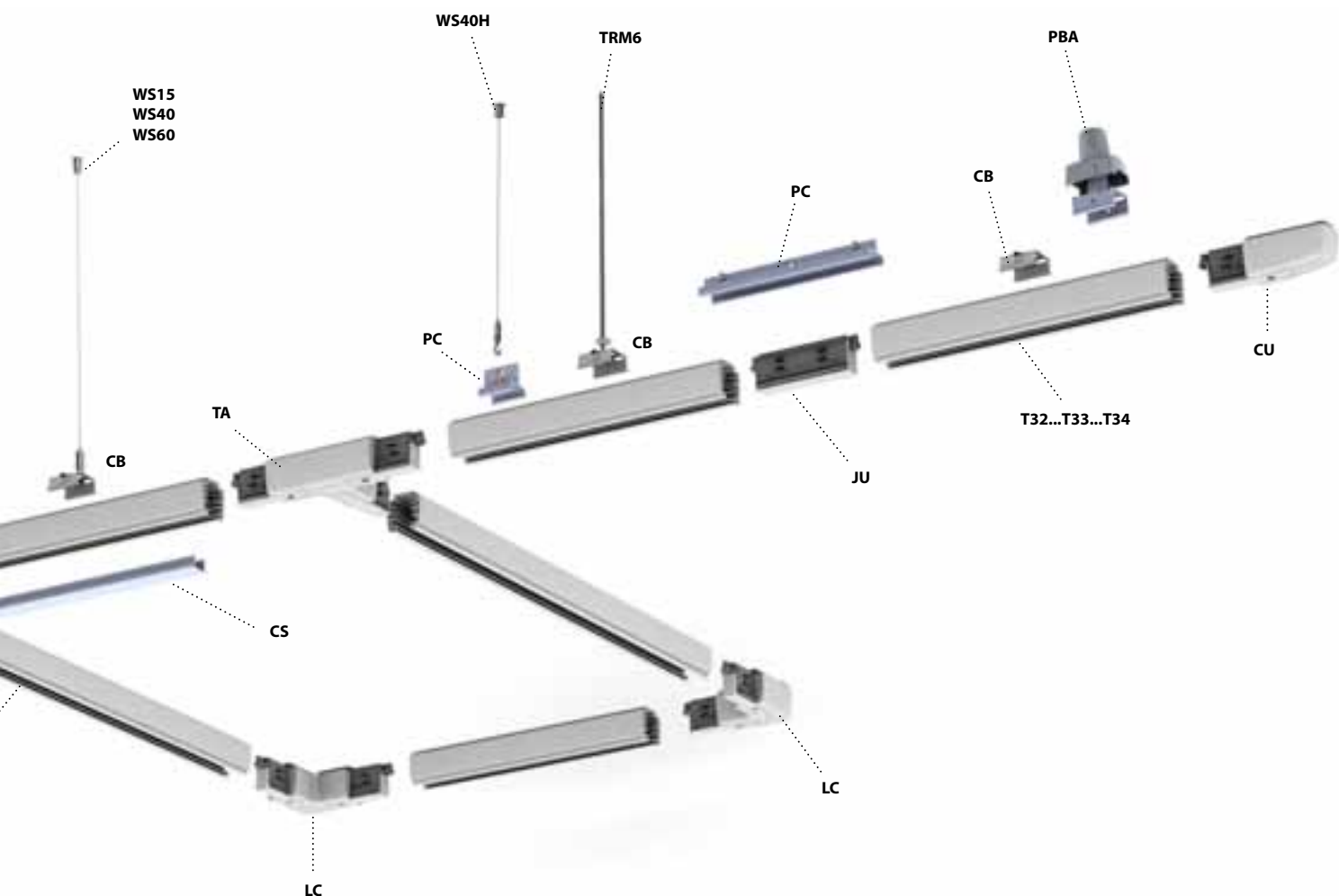
## Safety and quality

Unipro lighting tracks and all the components are tested and approved by SGS Fimko, according to EN 60570 and EN 60598.





		Page
T32, T33, T34	3-circuit surface tracks	6-7
T32F, T33F, T34F	3-circuit recessed tracks	6-7
A100	Power take-off adapters	9
A70	Universal adapters for lighting fixtures	13
ALC3	Adjustable corners	9
CB3	Ceiling brackets	10
CBC	Ceiling brackets with cup	10
CP3	Cover plates	11
CS3	Suspension clamps	11
CU3	Connection units	8
EC3	End caps	10
ENM6	Extension nut for threaded rod M6	11
JU3	Jointing unit	8
LC3	L-corners	8



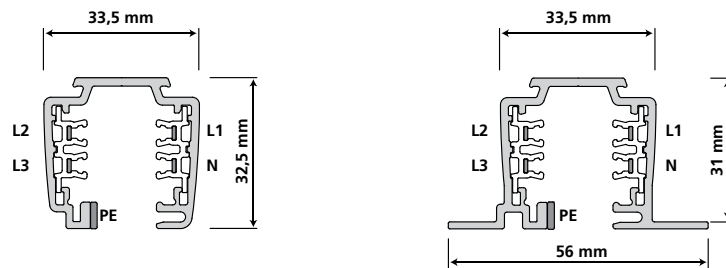
		Page
MCU3	Middle connections	8
PB	Pendant brackets	10
PBA	Adjustable pendant brackets	10
PC	Pendant couplers	10
SC	Suspension clamps	11
SH	Suspension hook	11
TA3	T-pieces	9
TFRW	Tube for rod, white	11
TRM6	Threaded rod M6 L=1m	11
WB	Wall brackets	11
WS	Wire suspension sets	11
XA3	X-pieces	9

## Features

<b>Material:</b>	Track's frame material is extruded aluminium. Insulation profiles inside frame are plastic. Phase and neutral conductors are 2,5 mm <sup>2</sup> rectangular copper, earth contact is cutted on aluminium frame. Plastic accessories material is self-extinguishing polycarbonate class V0. Surface treatment alternatives are powder coating on white RAL9010, grey RAL7040 or black RAL9005 and anodizing. Other RAL colours and treatments are available to order.
<b>Conductors:</b>	Three phase conductor (L1, L2, L3), neutral (N) and ground (PE)
<b>Rated values:</b>	250/400 VAC 16A 50 Hz
<b>Protection class:</b>	CLASS I IP20
<b>Other:</b>	Can be cut to length on-site. There is no need to bend or tool power conductors after cutting.
<b>Quality and safety:</b>	Tested according to EN 60570 and EN 60598.

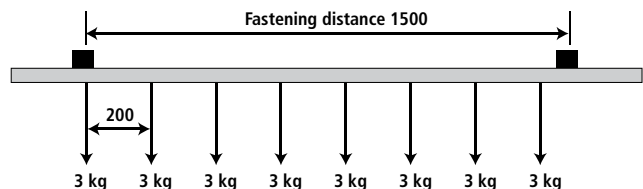
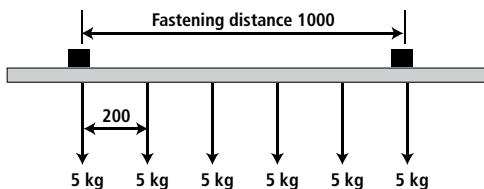


### Profile dimensions



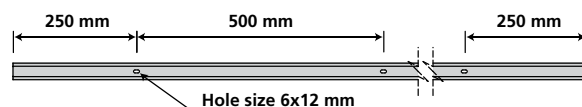
### Mechanical load carrying capacity

The recommended fastening distance is 1 m.



### Mounting holes on track

Pre-cut holes on the top of track



### 3-circuit surface tracks

16A 250/400 VAC 50 Hz CLASS I IP20

Colours: W - white RAL9010, G - grey RAL7040, B - black RAL9005, AD - natural anodized.



Art.no	Type	Product name
1459102	T32W	3-circuit lighting track, L=2m, white
1459103	T33W	3-circuit lighting track, L=3m, white
1459104	T34W	3-circuit lighting track, L=4m, white
1459232	T32G	3-circuit lighting track, L=2m, grey
1459233	T33G	3-circuit lighting track, L=3m, grey
1459234	T34G	3-circuit lighting track, L=4m, grey
1459302	T32B	3-circuit lighting track, L=2m, black
1459303	T33B	3-circuit lighting track, L=3m, black
1459304	T34B	3-circuit lighting track, L=4m, black
1459202	T32AD	3-circuit lighting track, L=2m, anodized
1459203	T33AD	3-circuit lighting track, L=3m, anodized
1459204	T34AD	3-circuit lighting track, L=4m, anodized

### 3-circuit recessed tracks

16A 250/400 VAC 50 Hz CLASS I IP20

Colours: W - white RAL9010, G - grey RAL7040, B - black RAL9005, AD - natural anodized.



Art.no	Type	Product name
1459112	T32FW	3-circuit lighting track, recessed, L=2m, white
1459113	T33FW	3-circuit lighting track, recessed, L=3m, white
1459114	T34FW	3-circuit lighting track, recessed, L=4m, white
1459182	T32FG	3-circuit lighting track, recessed, L=2m, grey
1459183	T33FG	3-circuit lighting track, recessed, L=3m, grey
1459184	T34FG	3-circuit lighting track, recessed, L=4m, grey
1459312	T32FB	3-circuit lighting track, recessed, L=2m, black
1459313	T33FB	3-circuit lighting track, recessed, L=3m, black
1459314	T34FB	3-circuit lighting track, recessed, L=4m, black
1459212	T32FAD	3-circuit lighting track, recessed, L=2m, anodized
1459213	T33FAD	3-circuit lighting track, recessed, L=3m, anodized
1459214	T34FAD	3-circuit lighting track, recessed, L=4m, anodized

### 3-circuit tracks on request

Painted (RAL colours) and covered (Decoral)



Art.no	Type	Product name
1459142	T32S	3-circuit lighting track, L=2m, special RAL
1459143	T33S	3-circuit lighting track, L=3m, special RAL
1459144	T34S	3-circuit lighting track, L=4m, special RAL
1459132	T32D	3-circuit lighting track, L=2m, Decoral
1459133	T33D	3-circuit lighting track, L=3m, Decoral
1459134	T34D	3-circuit lighting track, L=4m, Decoral
1459172	T32FS	3-circuit lighting track, recessed, L=2m, special RAL
1459173	T33FS	3-circuit lighting track, recessed, L=3m, special RAL
1459174	T34FS	3-circuit lighting track, recessed, L=4m, special RAL



### Jointing unit

Joint for all Unipro tracks.



Art.no	Type	Product name
1459199	JU3	Jointing unit

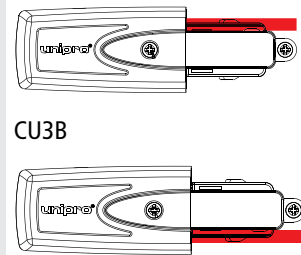
Joint can be used together with all Unipro tracks. The product package includes also grey and black covers.

### Connection units

Terminals for stranded or solid wires. Cable size 3x1,5 mm<sup>2</sup> - 5x2,5 mm<sup>2</sup>.  
Select the right product (A or B model) according to earthing line position.



Art.no	Type	Product name	Earthing line position
1459121	CU3AW	Connection unit A, white	CU3A
1459122	CU3BW	Connection unit B, white	
1459221	CU3AG	Connection unit A, grey	
1459222	CU3BG	Connection unit B, grey	
1459321	CU3AB	Connection unit A, black	
1459322	CU3BB	Connection unit B, black	



### Middle connections

Power supply option. Terminals for stranded or solid wires. Cable size 3x1,5 mm<sup>2</sup> - 5x2,5 mm<sup>2</sup>.



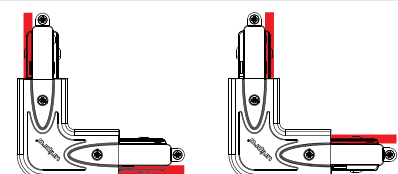
Art.no	Type	Product name
1459131	MCU3W	Middle connection unit, white
1459231	MCU3G	Middle connection unit, grey
1459331	MCU3B	Middle connection unit, black

### L-corners

Power supply option. Terminals for stranded or solid wires. Cable size 3x1,5 mm<sup>2</sup> - 5x2,5 mm<sup>2</sup>.  
Earthing line position can be changed on working site.



Art.no	Type	Product name	Earthing line position
1459141	LC3W	L-corner, white	
1459241	LC3G	L-corner, grey	
1459341	LC3B	L-corner, black	





### Adjustable corners

Adjustment range: horizontal  $0 \pm 120^\circ$ , rotational  $0 \pm 90^\circ$ .

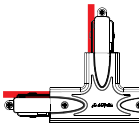
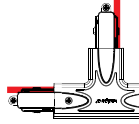
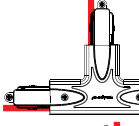


Art.no	Type	Product name
1459151	ALC3W	Adjustable L-corner, white
1459251	ALC3G	Adjustable L-corner, grey
1459351	ALC3B	Adjustable L-corner, black

### T-pieces

Power supply option. Terminals for stranded or solid wires. Cable size  $3 \times 1,5 \text{ mm}^2$  -  $5 \times 2,5 \text{ mm}^2$ .  
Select the right product (A, B, C or D model) according to earthing line position.

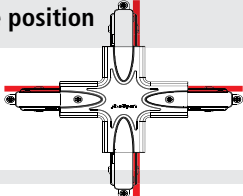


Art.no	Type	Product name	Earthing line position
1459161	TA3AW	T-angle A, white	A 
1459162	TA3BW	T-angle B, white	
1459163	TA3CW	T-angle C, white	
1459164	TA3DW	T-angle D, white	
1459261	TA3AG	T-angle A, grey	B 
1459262	TA3BG	T-angle B, grey	
1459263	TA3CG	T-angle C, grey	
1459264	TA3DG	T-angle D, grey	
1459361	TA3AB	T-angle A, black	C 
1459362	TA3BB	T-angle B, black	
1459363	TA3CB	T-angle C, black	
1459364	TA3DB	T-angle D, black	

### X-pieces

Power supply option. Terminals for stranded or solid wires. Cable size  $3 \times 1,5 \text{ mm}^2$  -  $5 \times 2,5 \text{ mm}^2$ .



Art.no	Type	Product name	Earthing line position
1459171	XA3W	X-angle, white	D 
1459271	XA3G	X-angle, grey	
1459371	XA3B	X-angle, black	

### Power take-off adapters

A100 adapters are used for connecting 1- and 3-phase devices or lighting fixtures to Unipro lighting tracks.  
Rated value: 16A, 250/400V. Protection: CLASS I. Connecting of wires: screw coupling, max. wire  $5 \times 2,5 \text{ mm}^2$ .  
Tested according to EN 60570 and EN 60598.



Art.no	Type	Product name
1459011	A100W	Power take-off adapter, white
1459012	A100B	Power take-off adapter, black
1459013	A100G	Power take-off adapter, grey

### End caps

Plastic. Recommended to be placed at the end of a track line.



Art.no	Type	Product name
1459181	EC3W	End cap, white
1459281	EC3G	End cap, grey
1459381	EC3B	End cap, black

### Ceiling brackets

Steel. Can be used together with wire sets WS15, WS40 and WS60 or TRM6 threaded rod.



Art.no	Type	Product name	Max. load (kg)
1459401	CB3W	Ceiling bracket, white	20
1459402	CB3G	Ceiling bracket, grey	20
1459403	CB3B	Ceiling bracket, black	20

### Pendant brackets

Can be used with wire suspension set WS40H or, alternatively, with wires only.



Art.no	Type	Product name
1459407	PB W	Pendant bracket, white
1459408	PB G	Pendant bracket, grey
1459409	PB B	Pendant bracket, black

### Adjustable brackets

Adjustment range 0-30 mm. Can be used together with threaded rod TRM6. The product set includes a steel bracket with a plastic cup.



Art.no	Type	Product name
1459404	PBA W	Pendant bracket adjustable, white
1459405	PBA G	Pendant bracket adjustable, grey
1459406	PBA B	Pendant bracket adjustable, black

### Pendant couplers

Recommended to be used for suspension at the point of joint when two tracks are connected with jointing unit JU3.



Art.no	Type	Product name
1459431	PC W	Pendant coupler, white
1459432	PC G	Pendant coupler, grey
1459433	PC B	Pendant coupler, black

### Ceiling brackets with cup

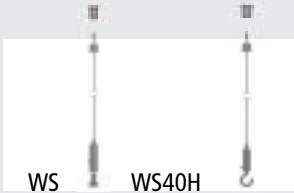
Can be used with all WS wire suspension sets and threaded rod TRM6.



Art.no	Type	Product name
1459434	CBC W	Ceiling bracket with cup, white
1459435	CBC B	Ceiling bracket with cup, black


### Wire suspension sets

Adjustable wire sets - WS for CB3 brackets, WS..H for PB and PC brackets.

	Art.no	Type	Product name	Max. load (kg)
	1459410	WS15	Wire suspension set 1,5 m, adjustable	17
	1459411	WS40	Wire suspension set 4,0 m, adjustable	17
	1459412	WS60	Wire suspension set 6,0 m, adjustable	17
	1459414	WS40H	Wire suspension set with hook 4,0 m, adjustable	17


### Wall brackets

Steel. Can be used together with ceiling brackets CB3.


	Art.no	Type	Product name
	1459436	WB W	Wall bracket, white
	1459437	WB B	Wall bracket, black

### Ceiling brackets for T-bars

Steel. Can be mounted directly to 24mm T-bars


	Art.no	Type	Product name
	1459451	CB3W T-BAR	Ceiling bracket for T-Bar, white
	1459452	CB3G T-BAR	Ceiling bracket for T-Bar, grey
	1459453	CB3B T-BAR	Ceiling bracket for T-Bar, black

### Suspension clamps and hook

	Art.no	Type	Product name
	1459440	SC3 W	Suspension clamp, white
	1459441	SC3 G	Suspension clamp, grey
	1459442	SC3 B	Suspension clamp, black
	1459443	SH	Suspension hook

### Cover strips

Plastic covers for Unipro lighting tracks. Length 2 meters.

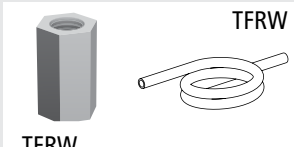
	Art.no	Type	Product name
	1459444	CS3 W	Cover strip L=2 m, white
	1459445	CS3 B	Cover strip L=2 m, black

### Cover plates

Plastic cover plate for accessories used on recessed tracks T3F, such as CU- and MCU-connectors, L-, T- and X-pieces.

	Art.no	Type	Product name
	1459191	CP3W	Cover plate, white
	1459291	CP3G	Cover plate, grey
	1459391	CP3B	Cover plate, black

### Other suspension accessories.

	Art.no	Type	Product name
	1459420	TRM6	Threaded rod M6 L=1 m
	1459425	ENM6	Extension nut for threaded rod M6
	1459426	TFRW	Tube for rod, white
	1459427	NM6	Nut for threaded rod M6

See installation examples on pages 14-15

A70



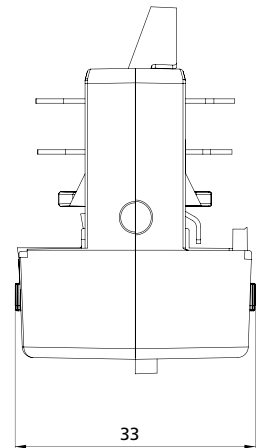
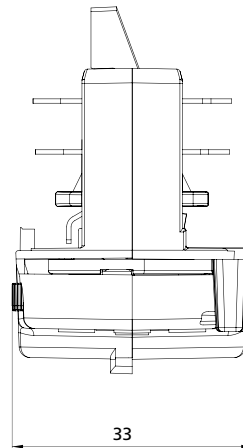
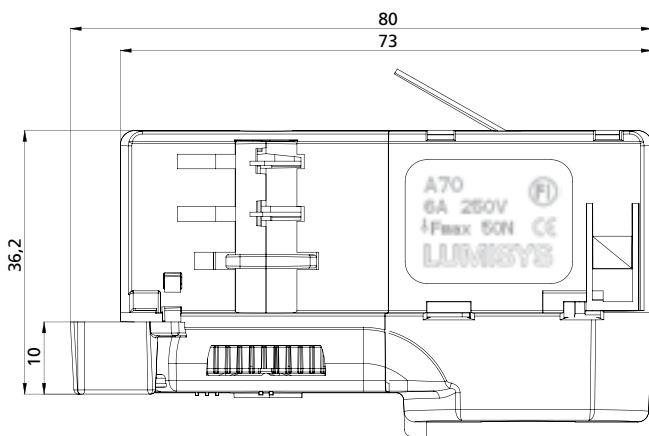
Unipro A70 adapters are used mainly with spot lighting fixtures. Adapters are universal and compatible with the most common 3-circuit lighting tracks. They have a phase selection and mechanical fixing knob.

Wires are easily connected by pressing them into the connectors using the installation tool T1L. The slot connection does not require screws nor stripping of wires.

### Features


<b>Rated value:</b>	6 A, 250 V
<b>Protection class:</b>	CLASS I
<b>Pull strength:</b>	max. 50 N, 70 N with locker
<b>Connecting wire:</b>	0,5 - 1,0 mm <sup>2</sup>
<b>Housing material:</b>	self-extinguishing polycarbonate class V0

Tested according to EN 60570 and EN 60598.





### Universal adapters

Rated value: 6A, 250 V, loading max 5 kg.

	Art.no	Type	Product name
	1459001	A70W	Universal adapter, white
	1459002	A70B	Universal adapter, black
	1459003	A70G	Universal adapter, grey


### Lockers

Can be used with A70 adapters to increase max. loading up to 7 kg.

	Art.no	Type	Product name	Locker in use
	1459004	L70W	Locker, white	
	1459005	L70B	Locker, black	
	1459006	L70G	Locker, grey	

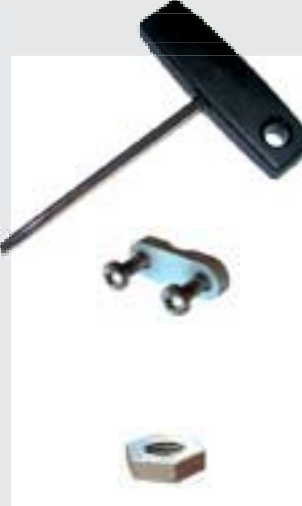
### Nipples

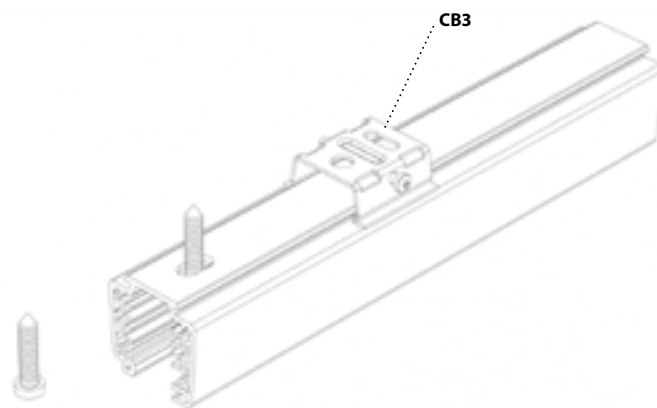
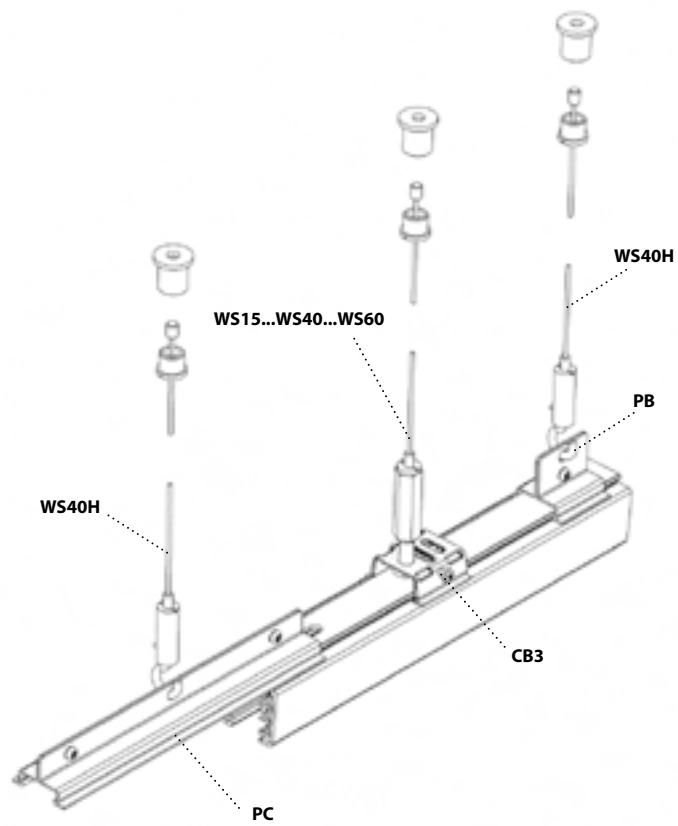
Material: aluminium. Rotation 360°.

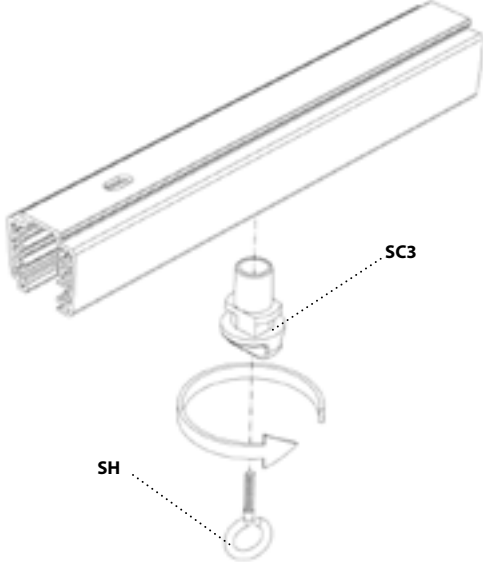
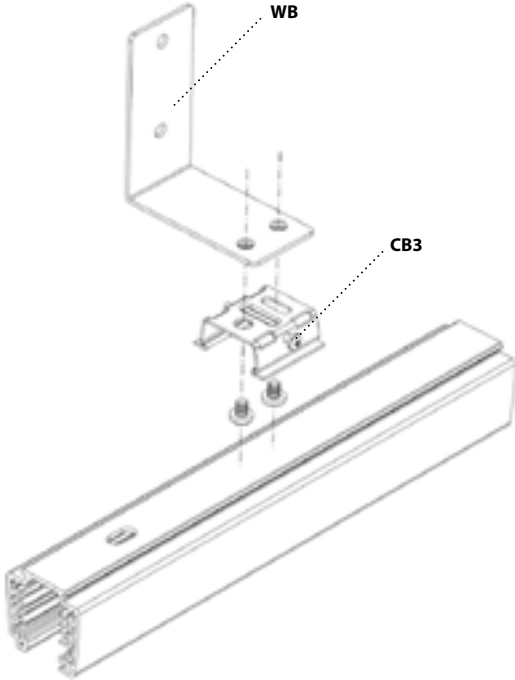
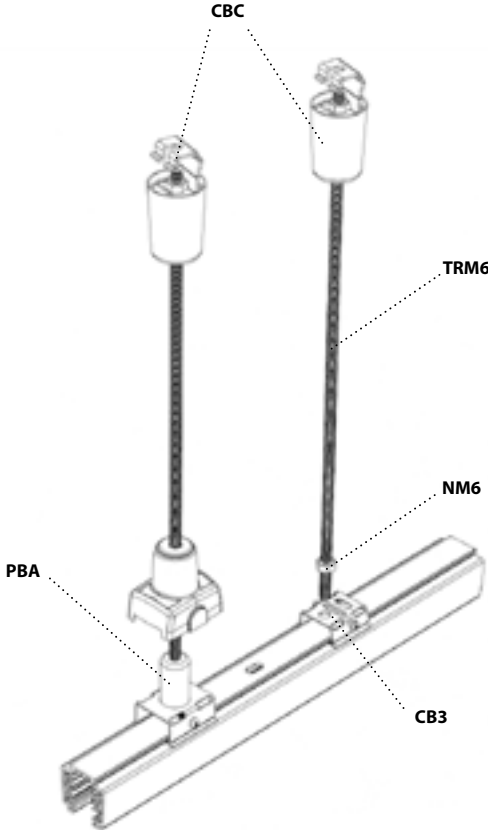
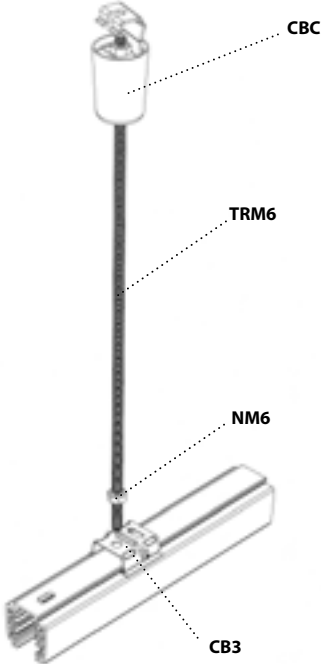
	Art.no	Type	Product name	
	1459091	ALN10R8	AL-Nipple M10, rotating, thread L=8mm	Thread M10
	1459092	ALN10R12	AL-Nipple M10, rotating, thread L=12mm	Thread M10

### Other accessories

Tool for pressing wires (both stranded and solid) into the connectors inside adapters A70.

	Art.no	Type	Product name
	1459099	T1L	Installation tool
	<b>Cable clamp for A70 adapters.</b>		
	1459010	CC70	Cable clamp
<b>Counter nut for ALN10 nipples.</b>			
1459428	NM10	Counter nut	







**LUMISYS**