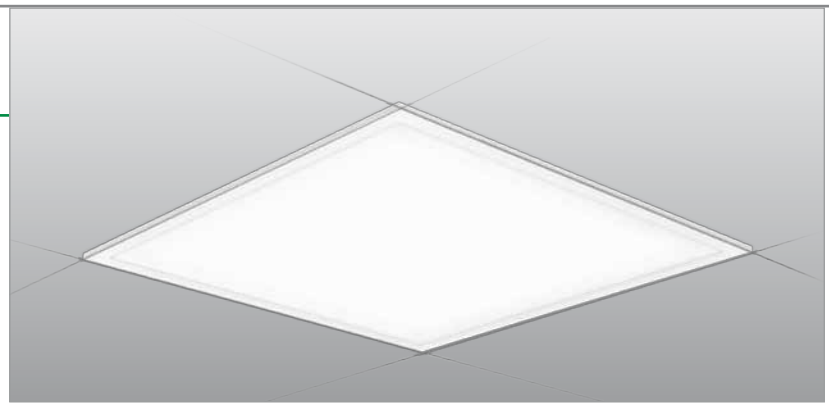


XELENT 60

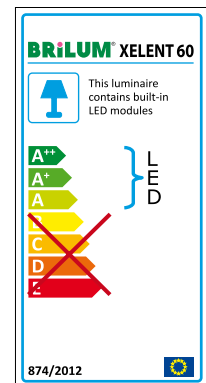
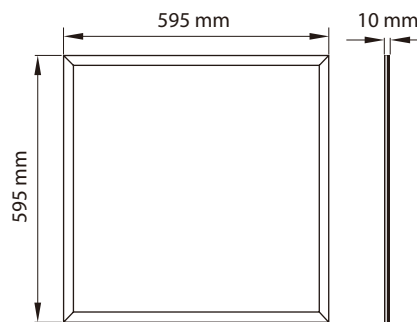
LED panel, recessed

CHARACTERISTICS

- innovative and durable LED luminaires, in a form of flat panel, designed to be mounted in suspended ceilings with 600 x 600mm modules
- possibility of:
 - suspending the luminaire on suspension wires
 - surface mounting trough special mounting frame
- power supplied directly from mains of alternating current 230V – LED driver placed outside of the luminaire, included in the set
- light emitting element: LEDs SMD type
- unique construction of optical system (diffuser): dispersion of illuminance up-close to perfect, elimination of light impurity, illum effect and light reflection
- application: illumination of computer rooms, meeting rooms, offices and other public spaces, also as a decorative illumination that brings out esthetic advantages of environment



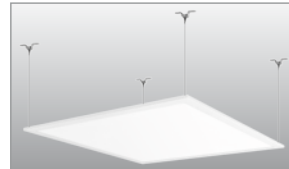
DIMENSIONS (mm)



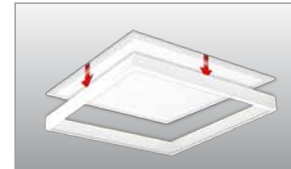
CONSTRUCTION

- body in a form of aluminum profile frames, enclosed by metal cover on the upper side, white colour
- cover made of polymethyl methacrylate (PMMA) light dispersive plate and plastic milky diffuser
- LED driver - included in the set with luminaire

ACCESSORIES



- wire suspension kit - included in the set with luminaire



- surface mounting frame - not included in the set;
- frame index: OS-XLT66A-10



TECHNICAL DATA

Model	XELENT 60, 40W	XELENT 60, 40W	XELENT 60, 50W	XELENT 60, 50W	XELENT 60, 60W	XELENT 60, 60W
Indeks	OS-XELLED-00	OS-XELLED-01	OS-XEL50W-00	OS-XEL50W-01	OS-XEL601-30	OS-XEL601-40
Luminaire power consumption	40W	40W	50W	50W	60W	60W
Supply voltage	220V ÷ 240V AC	220V ÷ 240V AC	220V ÷ 240V AC	220V ÷ 240V AC	220V ÷ 240V AC	220V ÷ 240V AC
Frequency	50/60Hz	50/60Hz	50/60Hz	50/60Hz	50/60Hz	50/60Hz
Beam angle	120°	120°	120°	120°	120°	120°
LEDs type	SMD	SMD	SMD	SMD	SMD	SMD
Light colour	warm white	neutral white	warm white	neutral white	warm white	neutral white
Correlated colour temperature (CCT)	3000K	4000K	3000K	4000K	3000K	4000K
Colour rendering index (CRI)	80	80	80	80	80	80
Luminous flux of the luminaire	2800 lm	2800 lm	3800 lm	3800 lm	4800 lm	4800 lm
LEDs lifespan	25000 h*	25000 h*	25000 h*	25000 h*	25000 h*	25000 h*
Ambient temperature (Ta)	+5°C ÷ +25°C	+5°C ÷ +25°C	+5°C ÷ +25°C	+5°C ÷ +25°C	+5°C ÷ +25°C	+5°C ÷ +25°C
Dimmable	no	no	no	no	no	no
Comply with LVD directive standards (safety)	PN-EN 62471:2010 / PN-EN 60598-2-2:2012 / PN-EN 60598-1:2011					
Comply with EMC directive standards (electromagnetic compatibility)	PN-EN 55015:2013-10 / PN-EN 61000-3-2:2007+A1+A2:2010 / PN-EN 61000-3-3:2011 / PN-EN 61547:2009					
Weight	2,7kg	2,7kg	2,7kg	2,7kg	2,7kg	2,7kg

*parameter refers to the LEDs and it is based on the data provided by the LEDs manufacturer