

uni**pro**[®]

Lighting track intelligence.



PRODUCT CATALOGUE

2017



unipro®

Advanced solutions for lighting.

The **unipro®** lighting track system is a great choice when planning lighting for private and public buildings such as offices, shopping centers, shops, museums, gyms and restaurants.

unipro® consists of high quality products, modern design and smooth installation. The versatile lighting track system offers flexibility in designing spotlight systems. The system provides you with impressive and state-optimized lighting - exactly where and how its needed.

The **unipro®** lighting track system includes surface and recessed 3-circuit lighting tracks, adapters and a wide range of mounting accessories. The standard lengths of the lighting tracks are 2, 3 and 4 meters. Due to its universal and modular design, the system is easy to expand and adapt to the customer's wishes and requirements. Adjustable and reversible L-corners with changeable earthing options are the preals of the product development.

The **unipro®** -lighting track system has been tested in accordance with EN 60570 and EN 60598 standards. In production each product is tested after manufacture.

Unipro Oy Ltd.

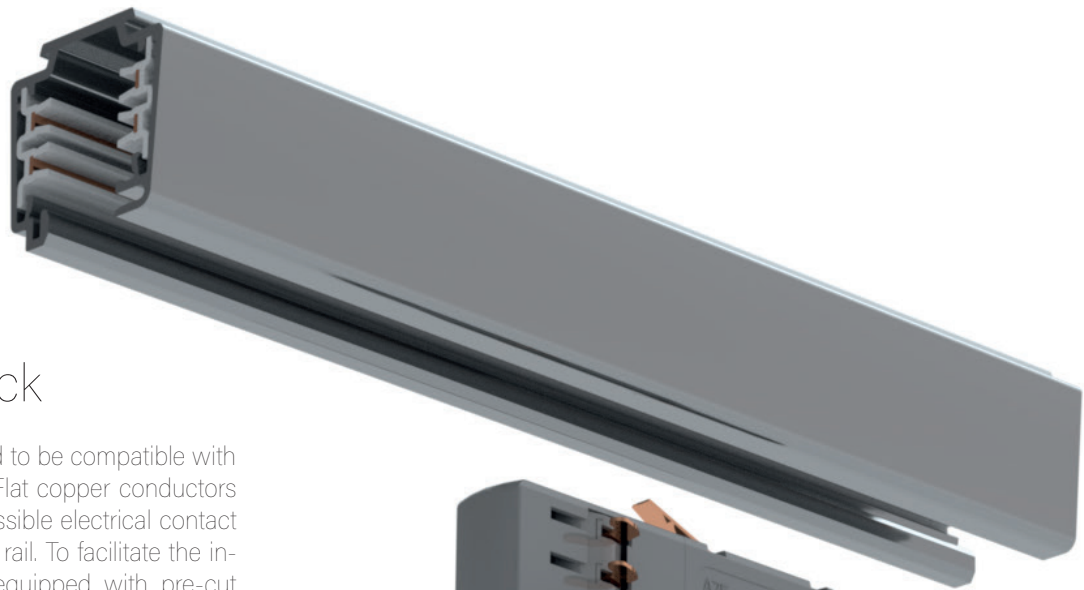
Konetie 25, FI-90650 Oulu
FINLAND

+358 20 7450 800

www.unipro.fi

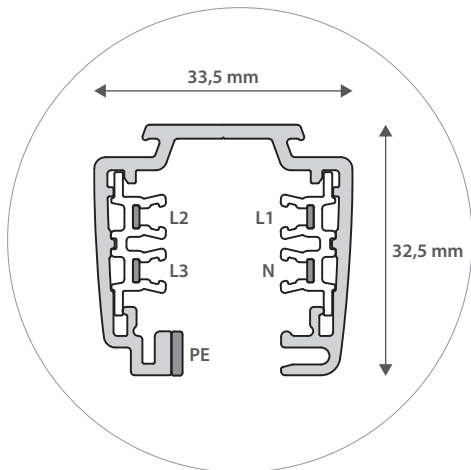
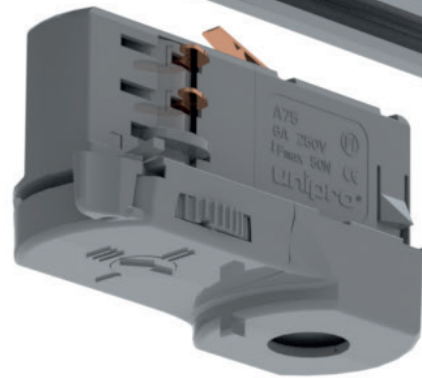


unipro®



Versatile lighting track

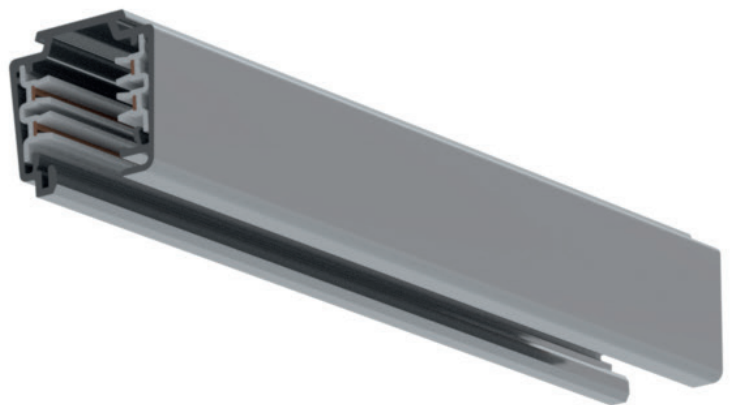
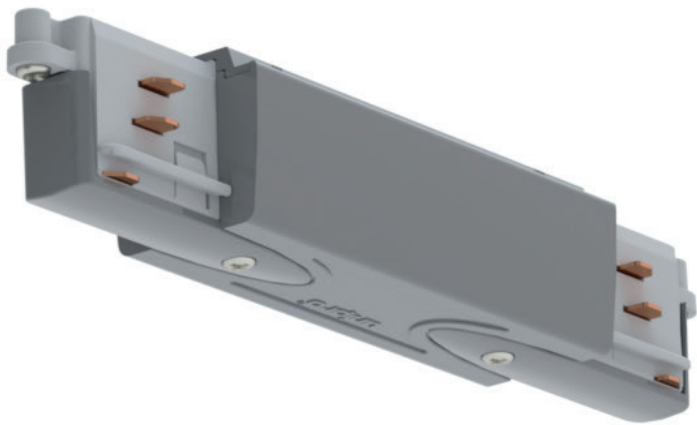
The unipro® lighting tracks are designed to be compatible with the most common spotlight systems. Flat copper conductors on the contact rail provide the best possible electrical contact between the adapters and the contact rail. To facilitate the installation, unipro® lighting tracks are equipped with pre-cut mounting holes at half a meter intervals.



Universal adapter

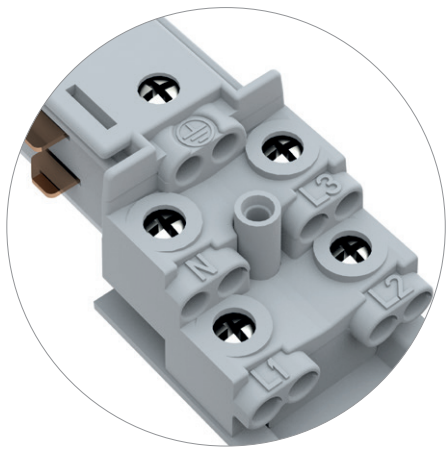
The unipro® A75 luminaire adapter is designed to be compatible with not only unipro® but also with the most of the other 3-circuit lighting tracks. A80BT bluetooth control unit is designed for easy wireless control – it can be installed to both new and already existing lighting track systems.





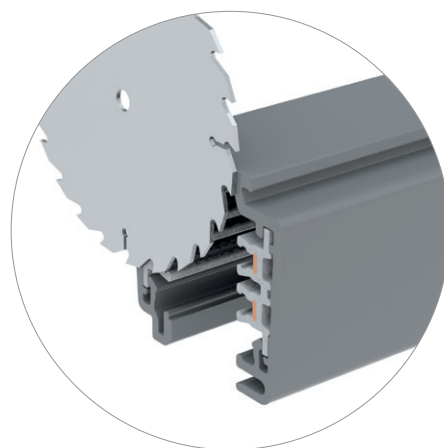
Fast to connect

The unipro® connection units have reliable and easy-to-use screw terminals for max. 2,5mm² solid or braided wires. Power supply option is available on most of the connector pieces, such as L-, T- and X-pieces.



Easy to cut

The standard lengths of the unipro® lighting tracks are 2, 3 and 4 meters. If necessary, the lighting track can be shortened to the desired length even on site. There is no need to bend or tool the copper conductors of the lighting track after the cutting.

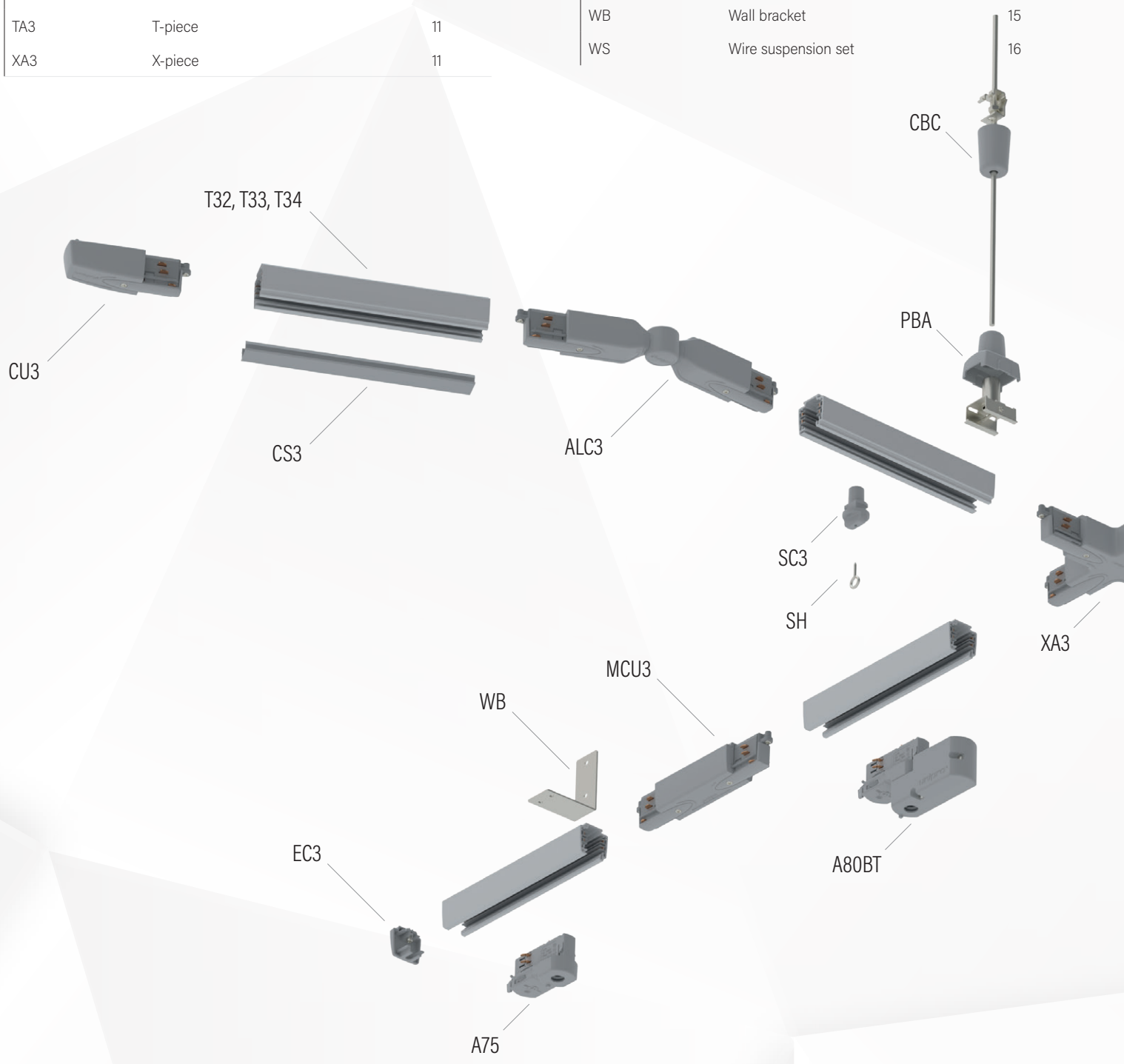


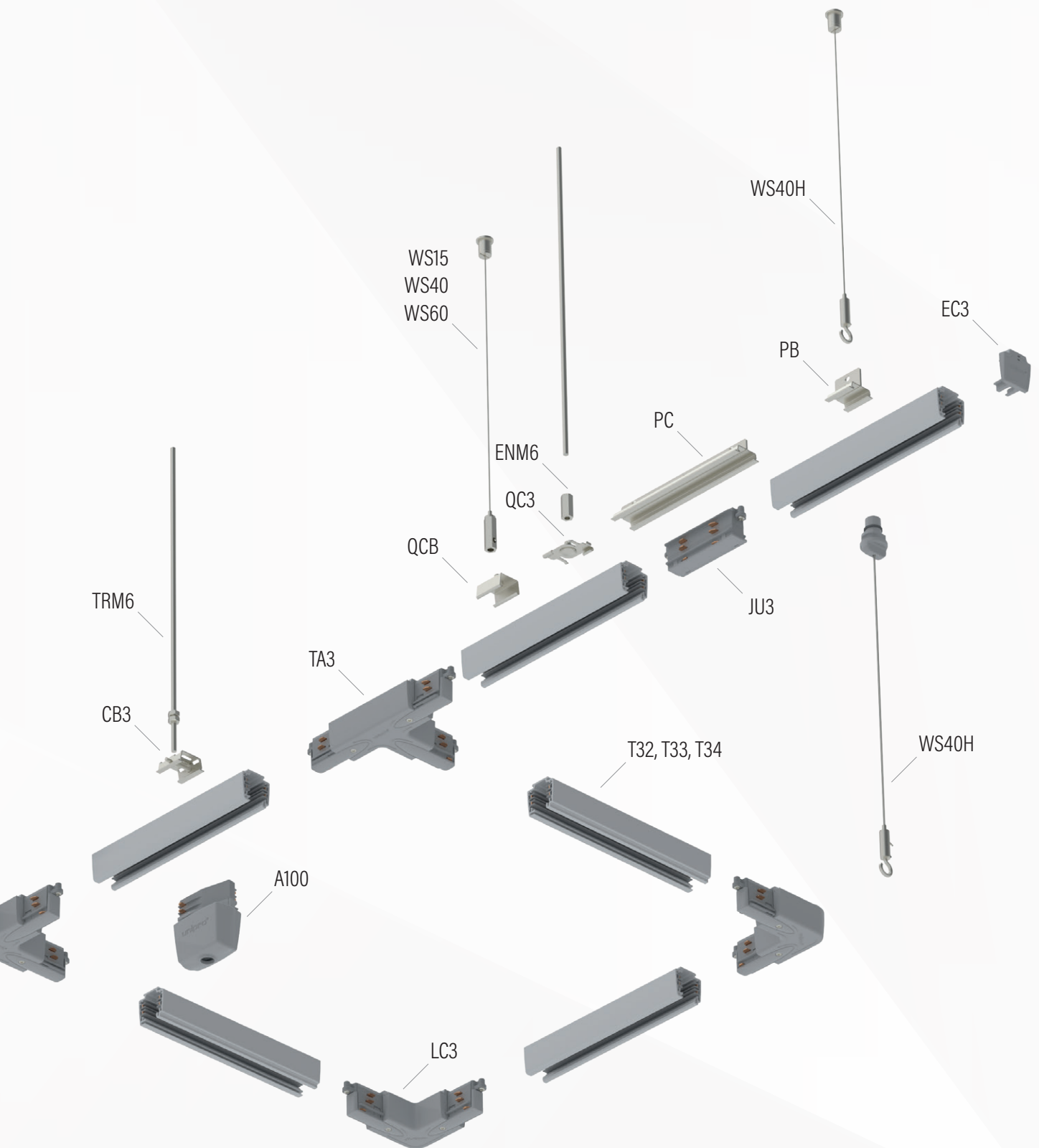
unipro® lighting track system

unipro® fastening parts

Name	Product	Page
T32, T33, T34	Surface lighting track	9
T32F, T33F, T34F	Recessed lighting track	9
A100	Power take-off adapter	12
A75	Adapter for lighting fixture	21
A80BT	Bluetooth control unit	21
ALC3	Adjustable corner	11
CS3	Cover strip	13
CU3	Connection unit	10
EC3	End cap	13
JU3	Jointing unit	10
LC3	L-piece	11
MCU3	Middle connection unit	10
TA3	T-piece	11
XA3	X-piece	11

Name	Product	Page
CB3	Ceiling bracket	14
CB3 T-BAR	Ceiling bracket for T-bar	14
CBC	Ceiling bracket with cup	15
ENM6	Extension nut M6	16
PB	Pendant bracket	15
PBA	Adjustable pendant bracket	15
PC	Pendant coupler	15
QC3	Quick connector	14
QCB	Quick ceiling bracket	14
SC3	Suspension clamp	15
SH	Suspension hook	15
TRM6	Threaded rod M6	16
WB	Wall bracket	15
WS	Wire suspension set	16

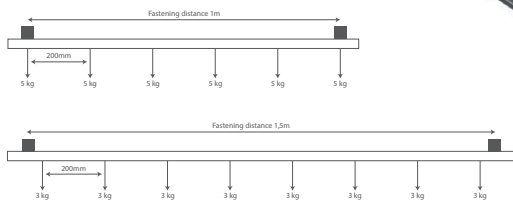




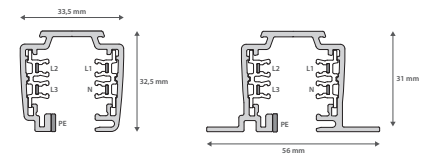
Versatile lighting track

Pre-drilled mounting holes in the lighting track frame in every 500 mm.
Hole size 6x12 mm.

Load-bearing capacity:



Profile dimensions:



Features

unipro® lighting tracks

Materials	<p>The track's frame material is extruded aluminium. The insulation profiles inside the frame are plastic. The phase and neutral conductors are 2,5 mm² rectangular copper, the earth contact is cut on the aluminium frame. The material of the plastic accessories is self-extinguishing polycarbonate, class V0.</p> <p>The surface treatment alternatives are powder-coated white (RAL9010), grey (RAL 7040), black (RAL9005) and anodised natural colour. All other painted RAL-colours and Decoral®-coatings are available by special order.</p>
Conductors	Three phase conductors (L1, L2 ja L3), neutral (N) and ground (PE).
Protection class	Protection class 1 IP20.
Other	Can be cut on site to suitable dimensions. No need to bend or tool the power conductors after cutting.
Quality and safety	Tested in accordance with the standards EN60570 and EN60598.

Surface 3-phase lighting tracks

16 A | 250/400 VAC | 50 Hz | CLASS 1 IP20



Code	Name	Product
1459102	T32W	3-phase lighting track, white, 2 meters (surface)
1459103	T33W	3-phase lighting track, white, 3 meters (surface)
1459104	T34W	3-phase lighting track, white, 4 meters (surface)
1459232	T32G	3-phase lighting track, grey, 2 meters (surface)
1459233	T33G	3-phase lighting track, grey, 3 meters (surface)
1459234	T34G	3-phase lighting track, grey, 4 meters (surface)
1459302	T32B	3-phase lighting track, black, 2 meters (surface)
1459303	T33B	3-phase lighting track, black, 3 meters (surface)
1459304	T34B	3-phase lighting track, black, 4 meters (surface)
1459202	T32AD	3-phase lighting track, anodised, 2 meters (surface)
1459203	T33AD	3-phase lighting track, anodised, 3 meters (surface)
1459204	T34AD	3-phase lighting track, anodised, 4 meters (surface)

Recessed 3-phase lighting tracks

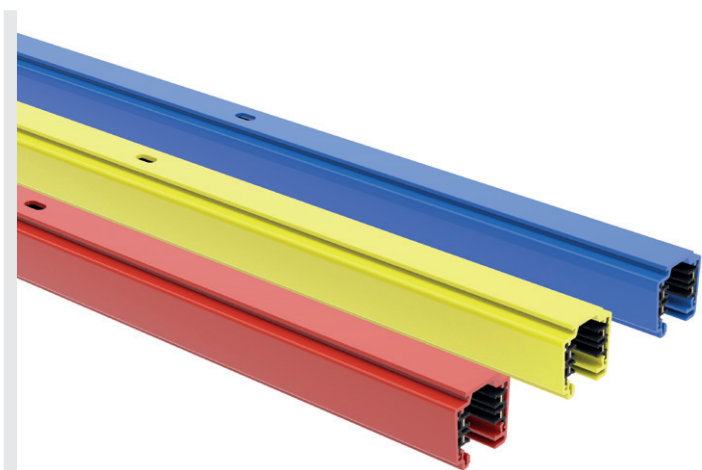
16 A | 250/400 VAC | 50 Hz | CLASS 1 IP20



Code	Name	Product
1459112	T32FW	3-phase lighting track, white, 2 meters (recessed)
1459113	T33FW	3-phase lighting track, white, 3 meters (recessed)
1459114	T34FW	3-phase lighting track, white, 4 meters (recessed)
1459182	T32FG	3-phase lighting track, grey, 2 meters (recessed)
1459183	T33FG	3-phase lighting track, grey, 3 meters (recessed)
1459184	T34FG	3-phase lighting track, grey, 4 meters (recessed)
1459312	T32FB	3-phase lighting track, black, 2 meters (recessed)
1459313	T33FB	3-phase lighting track, black, 3 meters (recessed)
1459314	T34FB	3-phase lighting track, black, 4 meters (recessed)
1459212	T32FAD	3-phase lighting track, anodised, 2 meters (recessed)
1459213	T33FAD	3-phase lighting track, anodised, 3 meters (recessed)
1459214	T34FAD	3-phase lighting track, anodised, 4 meters (recessed)

Painted (RAL) and coated (Decoral®) 3-phase lighting tracks

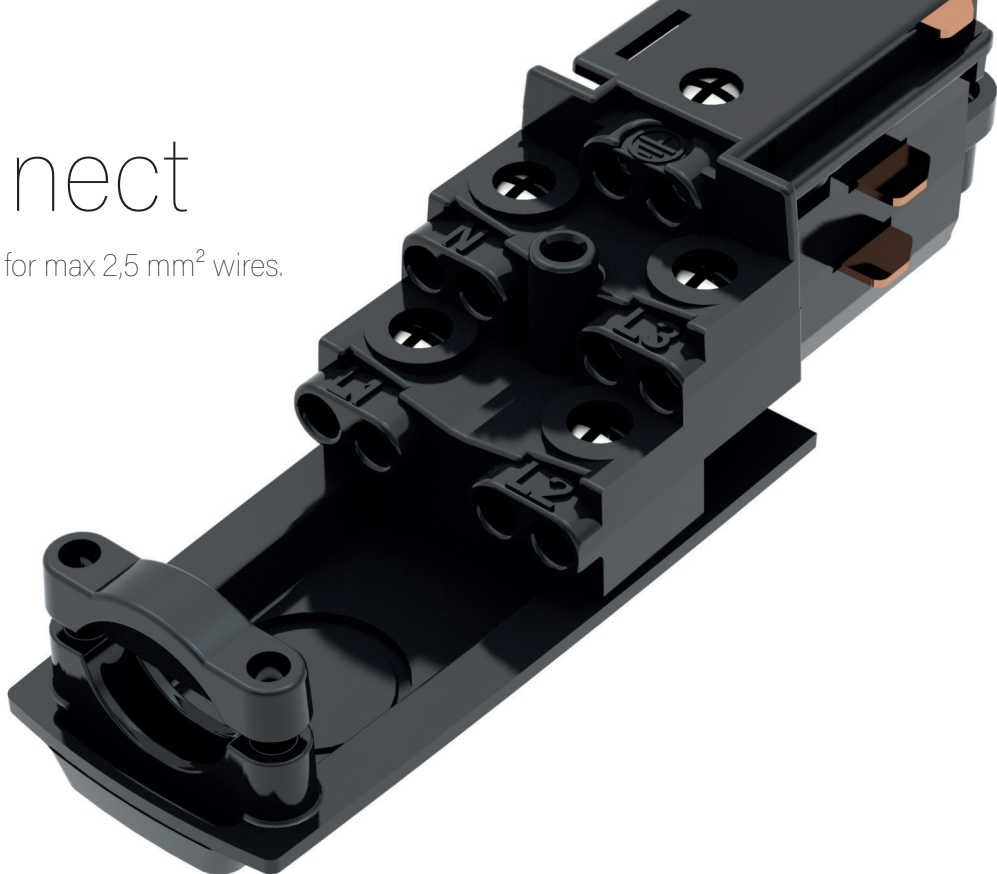
16 A | 250/400 VAC | 50 Hz | CLASS 1 IP20



Code	Name	Product
1459142	T32S	3-phase lighting track, colored RAL, 2 meters (surface)
1459143	T33S	3-phase lighting track, colored RAL, 3 meters (surface)
1459144	T34S	3-phase lighting track, colored RAL, 4 meters (surface)
1459132	T32D	3-phase lighting track, decoral®, 2 meters (surface)
1459133	T33D	3-phase lighting track, decoral®, 3 meters (surface)
1459134	T34D	3-phase lighting track, decoral®, 4 meters (surface)
1459172	T32FS	3-phase lighting track, colored RAL, 2 meters (recessed)
1459173	T33FS	3-phase lighting track, colored RAL, 3 meters (recessed)
1459174	T34FS	3-phase lighting track, colored RAL, 4 meters (recessed)

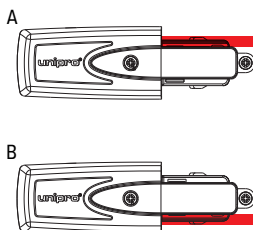
Easy to connect

High quality screw terminals for max 2,5 mm² wires.



Connection unit unipro® CU3

Power supply option. Select the correct earthing option.
Screw terminals for 3x1,5mm² - 5x2,5mm² wires.



Code	Name	Product
1459121	CU3AW	Connection unit, white (earthing A)
1459122	CU3BW	Connection unit, white (earthing B)
1459221	CU3AG	Connection unit, grey (earthing A)
1459222	CU3BG	Connection unit, grey (earthing B)
1459321	CU3AB	Connection unit, black (earthing A)
1459322	CU3BB	Connection unit, black (earthing B)

Middle connection unit unipro® MCU3

Power supply option.
Screw terminals for 3x1,5mm² - 5x2,5mm² wires.



Code	Name	Product
1459131	MCU3W	Middle connection unit, white
1459231	MCU3G	Middle connection unit, grey
1459331	MCU3B	Middle connection unit, black

Jointing unit unipro® JU3

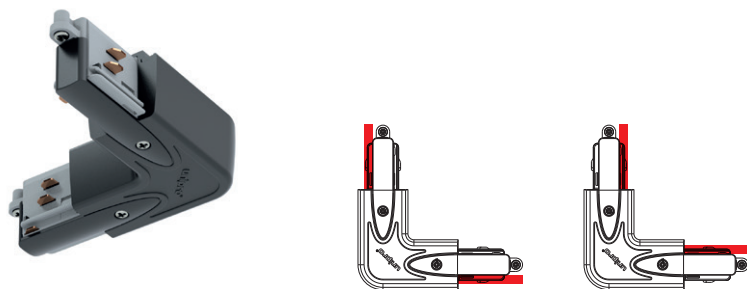
Jointing unit for all unipro® -lighting tracks.
Product comes with grey and black covers, cover can be installed by pressing it on top of the jointing unit.



Code	Name	Product
1459199	JU3	Jointing unit

L-piece unipro® LC3

Power supply option. The earthing line position can be changed on site, by screwing the lid open, turning the frame by 180°, and by screwing the lid back on. Screw terminals for 3x1,5mm² - 5x2,5mm² wires.



Code	Name	Product
1459141	LC3W	L-piece, white
1459241	LC3G	L-piece, grey
1459341	LC3B	L-piece, black

Adjustable corner unipro® ALC3

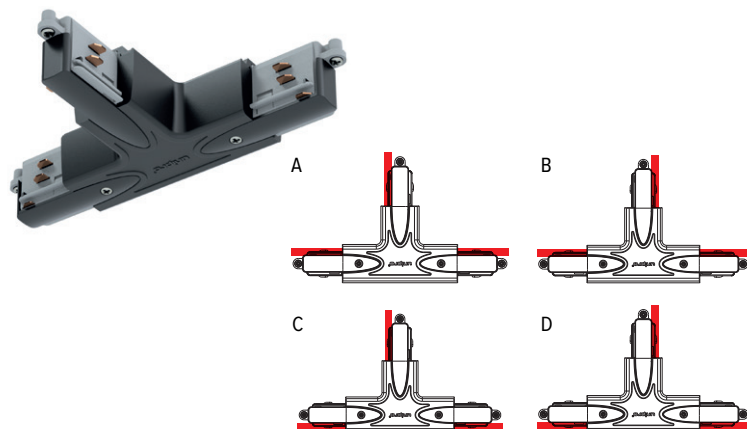
Horizontal adjustment range 0 ± 120°. Screw terminals for 3x1,5mm² - 5x2,5mm² wires.



Code	Name	Product
1459151	ALC3W	Adjustable corner, white
1459251	ALC3G	Adjustable corner, grey
1459351	ALC3B	Adjustable corner, black

T-piece unipro® TA3

Power supply option. Select the correct earthing option. Screw terminals for 3x1,5mm² - 5x2,5mm² wires.



Code	Name	Product
1459161	TA3AW	T-piece, white (earthing A)
1459162	TA3BW	T-piece, white (earthing B)
1459163	TA3CW	T-piece, white (earthing C)
1459164	TA3DW	T-piece, white (earthing D)
1459261	TA3AG	T-piece, grey (earthing A)
1459262	TA3BG	T-piece, grey (earthing B)
1459263	TA3CG	T-piece, grey (earthing C)
1459264	TA3DG	T-piece, grey (earthing D)
1459361	TA3AB	T-piece, black (earthing A)
1459362	TA3BB	T-piece, black (earthing B)
1459363	TA3CB	T-piece, black (earthing C)
1459364	TA3DB	T-piece, black (earthing D)

X-piece unipro® XA3

Power supply option. Screw terminals for 3x1,5mm² - 5x2,5mm² wires.



Code	Name	Product
1459171	XA3W	X-piece, white
1459271	XA3G	X-piece, grey
1459371	XA3B	X-piece, black



Features

unipro® A100

Rated values	16A, 250/400 VAC, 50Hz
Protection class	1 IP20
Conductors	3x1,5 mm ² - 5x2,5 mm ²
Pull strength	100 N (10kg)
Casing material	Self-extinguishing polycarbonate, class V0.
Quality and safety	Tested in accordance with the standards EN60570 and EN60598.

Power take-off adapter unipro® A100

Power take-off adapter is used when connecting 1- or 3-circuit devices or luminaires to the unipro® lighting track.



Code	Name	Product
1459011	A100W	Power take-off adapter, white
1459013	A100G	Power take-off adapter, grey
1459012	A100B	Power take-off adapter, black

End cap unipro® EC3

End cap for surface lighting tracks.



Code	Name	Product
1459181	EC3W	End cap, white
1459281	EC3G	End cap, grey
1459381	EC3B	End cap, black

Cover plate unipro® CP3

Cover plates are used in recessed lighting track systems, to cover the CU and MCU connection units, and the L-, T- and X-pieces.

The cover plate can be folded to the shape suitable for covering the parts to be hidden.



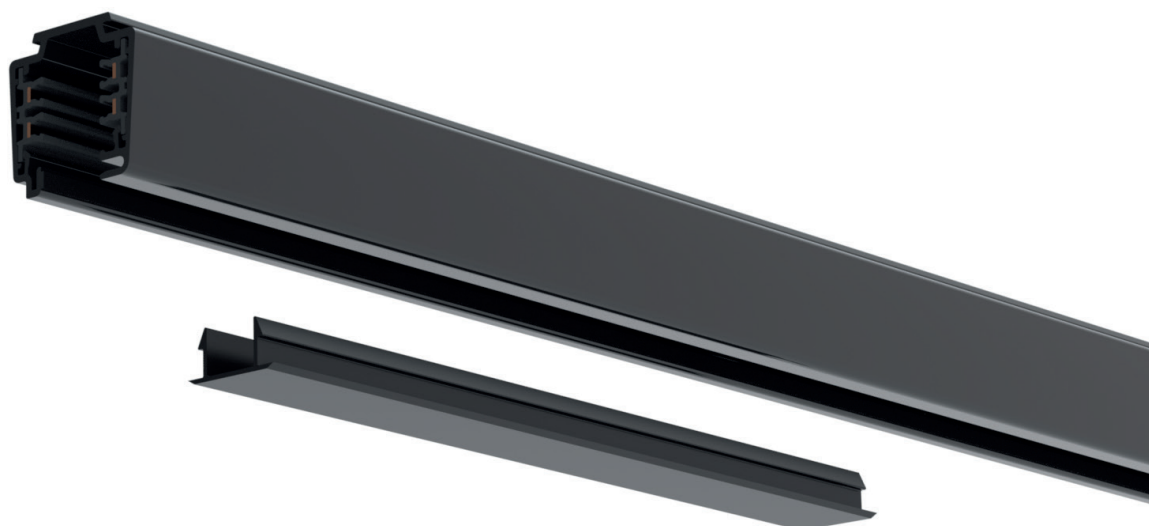
Code	Name	Product
1459191	CP3W	Cover plate, white
1459291	CP3G	Cover plate, grey
1459391	CP3B	Cover plate, black

Cover strip unipro® CS3

Cover strip for unipro® lighting tracks. Length 2m.



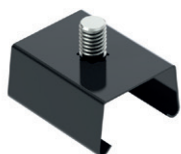
Code	Name	Product
1459444	CS3 W	Cover strip, white
1459445	CS3 B	Cover strip, black





Quick ceiling bracket unipro® QCB

Fast to install without tools. Can be used with the wire suspension set WS, and threaded rod TRM6 with extension nut ENM6.
Pull strength 150 N (15kg)



Code	Name	Product
1459421	QCB W	Quick ceiling bracket, white
1459422	QCB G	Quick ceiling bracket, grey
1459423	QCB B	Quick ceiling bracket, black

Quick connector unipro® QC3

Can be used with the wire suspension set WS, and threaded rod TRM6 with extension nut ENM6.
Pull strength 80 N (8kg)



Code	Name	Product
1459100	QC3G	Quick connector

Ceiling bracket unipro® CB3

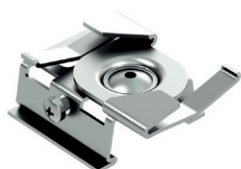
Steel. Can be used with the wire suspension set WS and the threaded rod TRM6.
Pull strength 200 N (20kg)



Code	Name	Product
1459401	CB3W	Ceiling bracket, white
1459402	CB3G	Ceiling bracket, grey
1459403	CB3B	Ceiling bracket, black

Ceiling bracket unipro® CB3 T-BAR

Steel. Can be attached directly to 24mm T-bar.
Pull strength 50 N (5kg)



Code	Name	Product
1459451	CB3W T-BAR	Ceiling bracket for T-bar, white
1459452	CB3G T-BAR	Ceiling bracket for T-bar, grey
1459453	CB3B T-BAR	Ceiling bracket for T-bar, black

Pendant bracket unipro® PB

Steel. Can be used with the hooked wire suspension set WS40H, or just with wires.

Pull strength 200 N (20kg)



Code	Name	Product
1459407	PB W	Pendant bracket, white
1459408	PB G	Pendant bracket, grey
1459409	PB B	Pendant bracket, black

Pendant coupler unipro® PC

Steel. Recommended to be used where two tracks have been joined with the jointing unit JU3.

Pull strength 200 N (20kg)



Code	Name	Product
1459431	PC W	Pendant coupler, white
1459432	PC G	Pendant coupler, grey
1459433	PC B	Pendant coupler, black

Adjustable pendant bracket unipro® PBA

Adjustment range 0-30mm. Can be used with the threaded rod TRM6.

Pull strength 200 N (20kg)



Code	Name	Product
1459404	PBA W	Adjustable pendant bracket, white
1459405	PBA G	Adjustable pendant bracket, grey
1459406	PBA B	Adjustable pendant bracket, black

Ceiling bracket with cup unipro® CBC

Can be used with the threaded rod TRM6.

Pull strength 100 N (10kg)



Code	Name	Product
1459434	CBC W	Ceiling bracket with cup, white
1459435	CBC B	Ceiling bracket with cup, black

Wall bracket unipro® WB

Steel. Recommended to be used with ceiling bracket CB3.

Pull strength 30 N (3kg)



Code	Name	Product
1459436	WB W	Wall bracket, white
1459437	WB B	Wall bracket, black

Suspension clamp unipro® SC3 and suspension hook SH

SC3 pull strength 100 N (10kg), SH pull strength 10 N (1kg)

SH



SC3



Code	Name	Product
1459440	SC3 W	Suspension clamp, white
1459441	SC3 G	Suspension clamp, grey
1459442	SC3 B	Suspension clamp, black
1459443	SH	Suspension hook

Wire suspension set unipro® WS

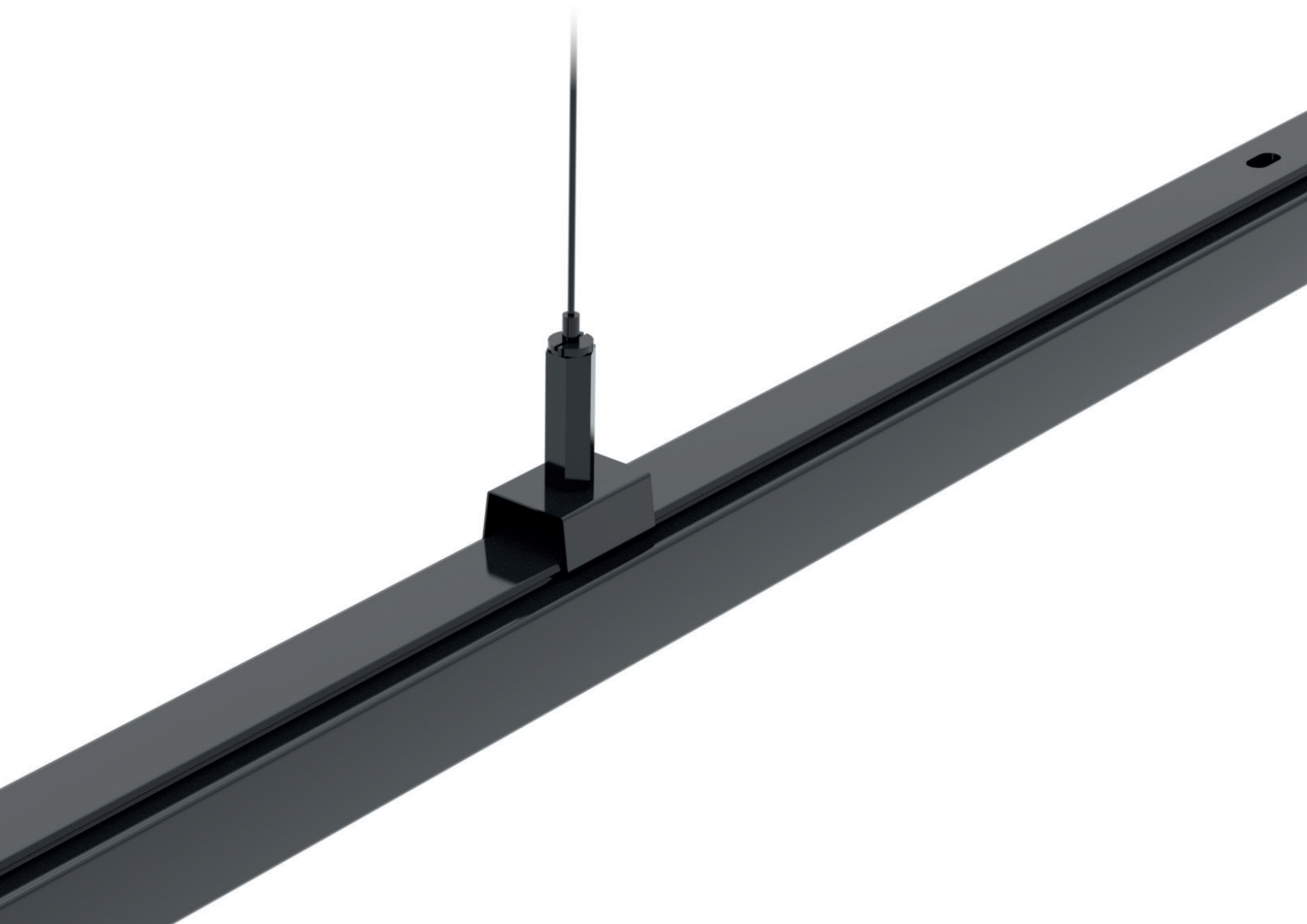
WS sets intended for the CB3, QC3 and QCB brackets. WS40H is intended for the PB and PC brackets.
WS pull strength 150N (15kg), WS40H pull strength 100 N (10kg)



Code	Name	Product
1459410	WS15	Adjustable wire suspension set, length 1,5m
1459411	WS40	Adjustable wire suspension set, length 4,0m
1459412	WS60	Adjustable wire suspension set, length 6,0m
1459415	WS15B	Adjustable wire suspension set, black, length 1,5m
1459416	WS40B	Adjustable wire suspension set, black, length 4,0m
1459414	WS40H	Adjustable wire suspension set with hook, length 4,0m

Other mounting equipment

Code	Name	Product
1459420	TRM6	Threaded rod M6, length 1,0m
1459425	ENM6	Extension nut for threaded rod M6
1459426	TFRW	Plastic tube for the threaded rod M6, white
1459427	NM6	Electro-galvanised nut M6



Freedom of choice

unipro® basic colors are

- white
- grey
- black
- anodised

By special order

- perfect RAL color chart
- prestige Decoral® coatings

Color and brightness for your installation

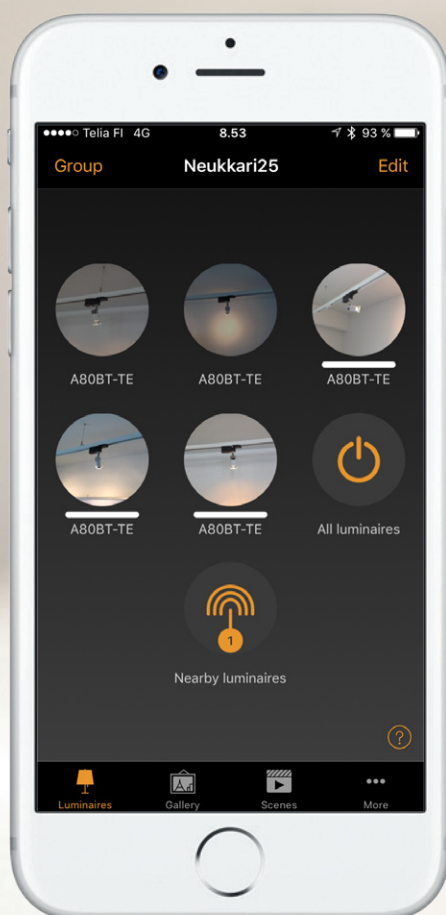
- more options for the designer and the end user .

Smart lighting system

The unipro® A80BT bluetooth control unit enables the wireless control for the lighting with your smart device. The Casambi application can be downloaded for iOS and Android from the application store.

CASAMBI

- No need to replace existing light switches.
- Turn luminaires on and off.
- Dim the lighting.
- Adjust color temperature and light color.
- Grouping of luminaires - also with scene photo.
- Lighting scenes and animations.
- Light and motion sensor.
- Scheduling by calendar, clock, and daylight.
- Remote control, Bluetooth Low Energy.



unipro®



Universal adapter



Features

unipro® A75

Rated values	6A, 250V
Protection class	1 IP20
Connecting wire	0,5 mm ² - 1,0 mm ²
Pull strength	50N (5kg), with locker 70N (7kg).
Casing material	Self-extinguishing polycarbonate, class V0.
Quality and safety	Tested in accordance with the standards EN60570 and EN60598.

unipro® luminaire adapters are used mainly with spot lights. The luminaire adapters have been designed to be compatible with the most 3-circuit lighting tracks.

- The adapters have a rotary dial for selecting the circuit.
- It is easy to connect the wires by pressing them to the connectors with the unipro® TIL tools.
- Connecting the wires does not require screws or peeling the wires.

unipro® A80BT

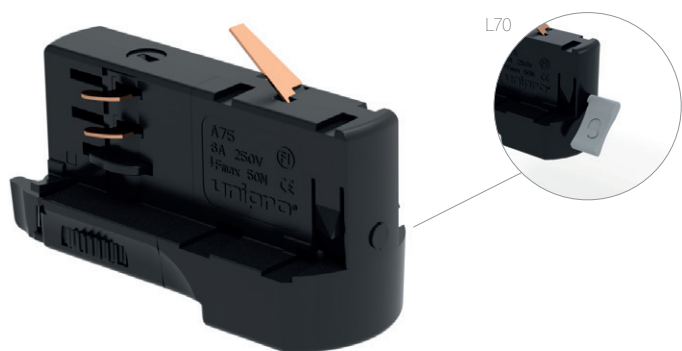
A80BT	Light intensity adjustment, suitable for 0-10V.
A80BT	Light intensity adjustment, suitable for DALI.
A80BT	Colour temperature adjustment with matching luminaires.
A80BT-TE	Trailing edge dimming for matching luminaires.
A80BT / A80BT-TE	On/Off function
A80BT / A80BT-TE	Wirelessly updated firmware.
A80BT / A80BT-TE	Automatically creates a mesh network between the devices.

The unipro® A80BT offers energy efficiency and adjustment options for lighting. It is suitable for use in a variety of environments such as shops, offices, and other public spaces. The A80BT is an affordable solution for wirelessly controlled lighting, the control unit does not require a separate server.

- Can be installed to compatible halogen and LED luminaires.
- Contains an easy-to-use control programme.
- Quick to install to the new track systems, and add to the existing track systems.
- Versatile light intensity and colour temperature control possible.
- Compatible with all universal 3-circuit tracks.
- The mesh technology enables easy control for even larger installations.
- Compatible with Android and iOS devices with Bluetooth 4.0 support.
- Password protected: outsiders cannot access the network.

Luminaire adapter unipro® A75

Rated values: 6A, 250V | Pull strength 50 N (5kg), with L70 locker 70 N (7kg).



Code	Name	Product
1459014	A75W	Luminaire adapter, white
1459016	A75G	Luminaire adapter, grey
1459015	A75B	Luminaire adapter, black
1459004	L70W	Locker for luminaire adapter A75, white
1459006	L70G	Locker for luminaire adapter A75, grey
1459005	L70B	Locker for luminaire adapter A75, black

Bluetooth control unit unipro® A80BT

Rated values: Pmax=70W, 240V | Pull strength 50 N (5kg).



Code	Name	Product
1459017	A80BT W	Bluetooth control unit, white
1459019	A80BT G	Bluetooth control unit, grey
1459018	A80BT B	Bluetooth control unit, black
1459020	A80BT-TE W	Bluetooth control unit, white
1459022	A80BT-TE G	Bluetooth control unit, grey
1459021	A80BT-TE B	Bluetooth control unit, black

Tools and equipment

Nipple ALN10R8



Counter nut NM10



Cable clamp CC70



Tool TL1



Code	Name	Product
1459091	ALN10R8	AL-nipple M10, rotating, thread length 8mm
1459092	ALN10R12	AL-nipple M10, rotating, thread length 12mm
1459428	NM10	Counter nut for AL-nipple
1459099	TIL	Tool
1459010	CC70	Cable clamp

unipro[®]

Unipro Oy Ltd.

Konetie 25, FI-90620 Oulu, Finland
+358 20 7450 800
www.unipro.fi